

SERVICE PANEL "A" SCHEDULE			
CKT #	DUTY	SIZE	CKT #
1	PANELBOARD B	125A 2P	2
3			4
5	RADIO CONTROL & PHOTOCCELL	15A 1P	6
7	RUNWAY 9 PLASI	20A 1P	8
9	RUNWAY 27 PLASI	20A 1P	10
11	WINDCONE & WIND TEE	20A 1P	12
13	AIRPORT ROTATING BEACON	30A 2P	14
15			16
17	SPARE	20A 1P	18
19	SPARE	20A 1P	20
21	BLANK		22
23			24
25			26
27			28
29			30
31			32
33			34
35			36
37			38
39			40
41			42

400 AMP, 120/240 VAC, 1 PHASE, 3 WIRE, 42 CIRCUIT PANELBOARD WITH 400 AMP, 2 POLE MAIN BREAKER WITH 22,000 AIC AT 240 VAC IN A NEMA 1 ENCLOSURE. INCLUDE SEPARATE GROUND BAR KITS. ALL BRANCH BREAKERS SHALL BE BOLT-ON TYPE WITH 22,000 AIC AT 120/240 VAC. PANELBOARD SHALL BE SQUARE D CAT. NO. NQ0D42L400CU WITH NQ0D4 MAIN BREAKER KIT AND Q4L2400 MAIN BREAKER IN A NEMA 1 ENCLOSURE, OR APPROVED EQUAL.

NOTES

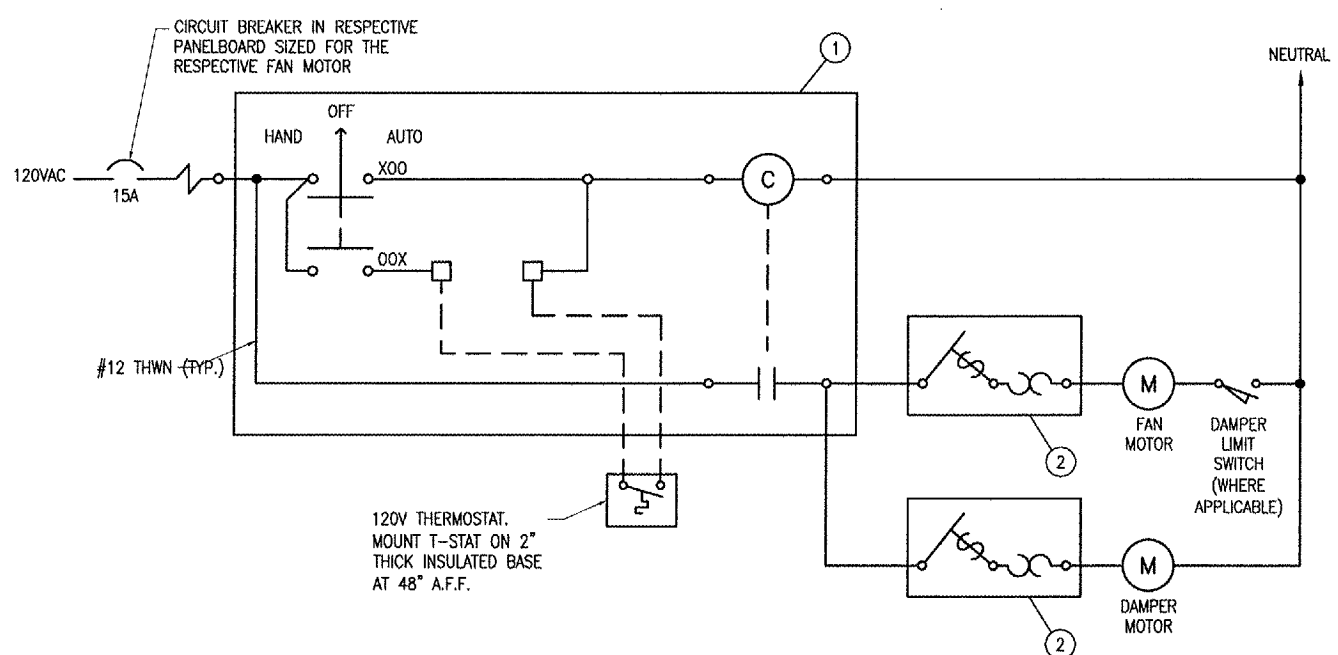
- PANELBOARD BUS SHALL BE COPPER. NEUTRAL BUS SHALL BE COPPER. EQUIPMENT GROUND BARS SHALL BE COPPER. NOTE ONE OF THE EQUIPMENT GROUND BARS SHALL ACCOMMODATE LINE & TAP GROUND WIRES UP TO #1/0 AWG. THE OTHER GROUND BAR SHALL ACCOMMODATE A #1/0 AWG LINE/BONDING JUMPER & TAP GROUND CONDUCTORS FROM #14 AWG TO #6 AWG.
- INCLUDE ENGRAVED PHENOLIC LEGEND PLATE LABELED "SERVICE PANEL A, 120/240 VAC, 1 PHASE, 3 WIRE". INCLUDE ADDITIONAL LEGEND PLATE FOR THE MAIN BREAKER LABELED "SERVICE BREAKER".

PANEL B SCHEDULE			
CKT #	DUTY	SIZE	CKT #
1	VAULT HEATER EH-1	20A 2P	2
3			4
5	VAULT HEATER EH-2	15A 2P	6
7			8
9	SPARE	15A 1P	10
11	SPARE	15A 1P	12
13	SPARE	20A 1P	14
15	SPARE	20A 1P	16
17	BLANK		18
19	BLANK		20
21	BLANK		22
23	BLANK		24
25	BLANK		26
27	BLANK		28
29	BLANK		30

225 AMP, 120/240 VAC, 1 PHASE, 3 WIRE, 30 CIRCUIT PANELBOARD WITH MAIN LUGS IN A NEMA 1 ENCLOSURE. INCLUDE SEPARATE GROUND BAR KITS. ALL BRANCH BREAKERS SHALL BE BOLT-ON TYPE WITH 22,000 AIC AT 120/240 VAC. PANELBOARD SHALL BE SQUARE D CAT. NO. NQ0D30L225CU OR APPROVED EQUAL.

NOTES

- PANELBOARD BUS SHALL BE COPPER. NEUTRAL BUS SHALL BE COPPER. EQUIPMENT GROUND BARS SHALL BE COPPER.
- INCLUDE ENGRAVED PHENOLIC LEGEND PLATE LABELED "PANEL B, 120/240 VAC, 1 PHASE, 3 WIRE, FED FROM SERVICE PANEL A".



NOTES FOR FAN CONTROL SCHEMATIC

- GROUND WIRES REQUIRED BUT NOT SHOWN FOR CLARITY.
- ALL WIRING SHALL BE #12 THWN MINIMUM.
- PROVIDE A NEMA 1 ENCLOSURE SIZED TO INSTALL THE CONTACTOR, HOA SELECTOR SWITCH & TERMINALS.
- PROVIDE LEGEND PLATE FOR THE CONTACTOR AND FRACTIONAL HP MOTOR STARTER IDENTIFYING THE LOAD SERVED AND THE POWER SOURCE.
- VERIFY MOTOR HORSEPOWERS AND FULL LOAD AMPS WITH THE RESPECTIVE MANUFACTURER. CONTRACTOR SHALL COORDINATE MOTOR CIRCUIT BREAKER, CONTACTOR, FRACTIONAL HP STARTER, OVERLOADS, WIRE SIZES, CONDUIT SIZES, ETC. FOR THE RESPECTIVE EQUIPMENT FURNISHED, PER NEC & MANUFACTURER'S RECOMMENDATIONS. COORDINATE FAN & LOUVER INSTALLATION WITH BUILDING MFR.
- INTAKE LOUVERS SHALL OPEN AND EXHAUST FAN SHALL OPERATE WHEN SPACE TEMP EXCEEDS 85°F (ADJUSTABLE). EXHAUST FAN SHALL OPERATE ONLY WHEN DAMPER HAS PROVED "OPEN". IN MANUAL MODE DAMPER SHALL REMAIN OPEN AND FAN SHALL RUN CONTINUOUSLY.

LEGEND

- 120VAC, NEMA SIZE 0 (MINIMUM), 1 POLE, FULL VOLTAGE CONTACTOR IN A NEMA 1 ENCLOSURE, SQUARE D CLASS 8502, TYPE SBG5V02 OR APPROVED EQUAL. INCLUDE H-O-A SELECTOR SWITCH WITH EACH CONTACTOR.
- FRACTIONAL HORSEPOWER MOTOR MANUAL STARTER, SQUARE D MANUAL STARTER WITH HANDLE/GUARD/LOCK OFF, IN NEMA 1 ENCLOSURE CLASS 2510, TYPE FG5 OR APPROVED EQUAL. INCLUDE MELTING ALLOY TYPE THERMAL OVERLOADS SIZED AS REQUIRED TO PROTECT THE RESPECTIVE MOTOR. 120VAC MOTORS SHALL HAVE SINGLE POLE STARTERS.

BY	
REVISION	
DATE	
KEWANEE MUNICIPAL AIRPORT KEWANEE, HENRY COUNTY, ILLINOIS	
I.L. PROJ.: E21-3586 A.I.P. PROJ.: 3-17-0058-B12	
ILL. Project No. 810-06/1TD Drawings E-608.DWG Scale NONE Date 04/28/06	LAYOUT KNL 09/23/05 DRAWN MV 09/27/05 REVIEWED LDP 01/17/06
Hanson Professional Services Inc. 3125 Duane Trail, Suite 110 Indianapolis, Indiana 46214 Offices Nationwide	
CONSTRUCT VAULT PANEL SCHEDULES & DETAILS	
15 15 of 27 sheets	