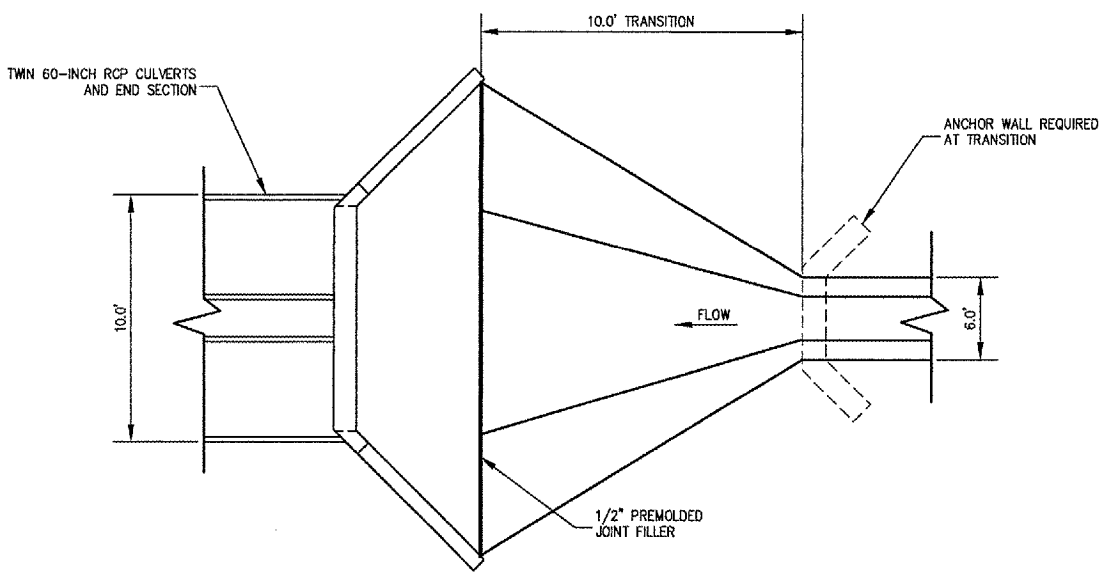


TYPE	D	W	X	S
B-37	15"	12'-0"	5'-0"	1:4
B-15	6"	6'-0"	2'-0"	1:4

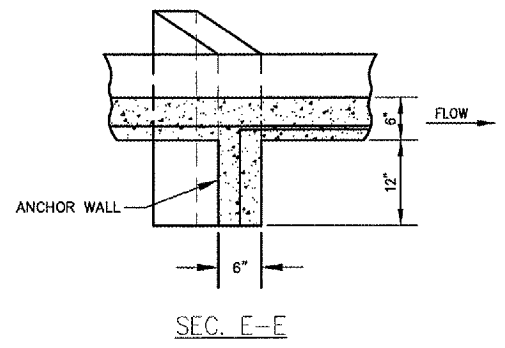
PAVED DITCH CROSS SECTION



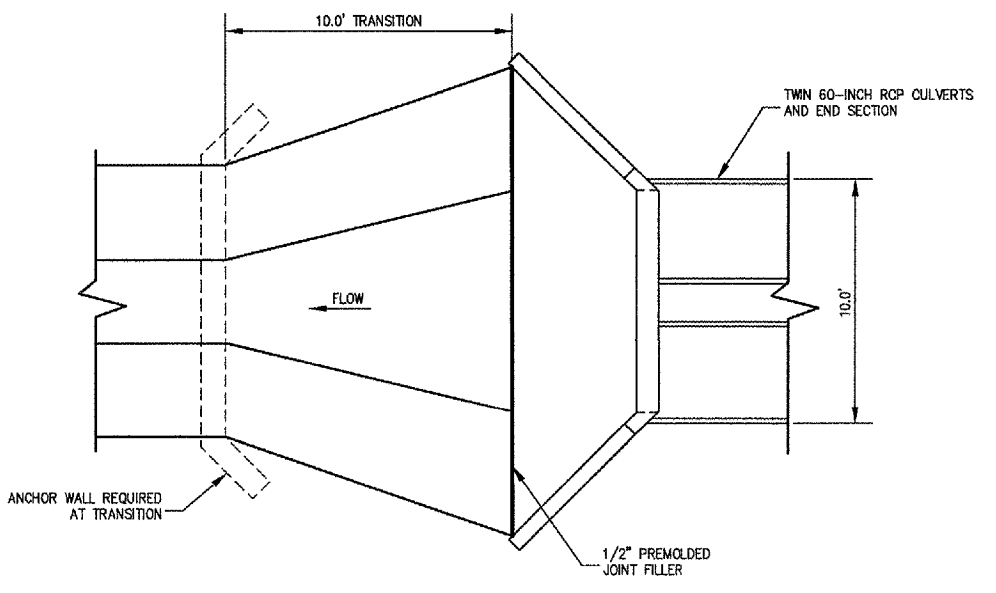
TRANSITION TO CULVERT HEADWALL  
EAST PAVED DITCH

**NOTES**

- ITEM 610 PC CONCRETE SHALL BE USED THROUGHOUT.
- WELDED WIRE FABRIC SHALL BE 6"x6" MESH, #4 GAGE, 58 LBS. PER 100 SQ. FT., CONFORMING TO THE REQUIREMENTS OF AASHTO M-55.
- 1/2 INCH PREMOULDED JOINT FILLER SHALL BE PLACED AT THE JUNCTION OF PAVED DITCH WITH ANY OTHER STRUCTURE.
- ANCHOR WALLS SHALL BE SPACED AT NOT MORE THAN 50 FOOT INTERVALS.
- ANCHOR WALLS SHALL BE CONSTRUCTED MONOLITHICALLY WITH THE PAVED DITCH.
- AT THE OPTION OF THE CONTRACTOR, #3 REINFORCING BARS PLACED AT 12 INCH CENTERS LONGITUDINALLY IN PAVED DITCH AND VERTICALLY IN ANCHOR AND CUT-OFF WALLS MAY BE USED IN LIEU OF THE WELDED WIRE FABRIC.
- THE COST OF FURNISHING AND PLACING THE JOINT FILLER AND WELDED WIRE FABRIC OR THE #3 REINFORCING BARS WILL BE CONSIDERED INCIDENTAL TO THE COST OF THE PAVED DITCH.
- TOOLED OR SAWED CONTROL JOINTS ARE TO BE PLACED AT A SPACING NOT TO EXCEED 15' APART. NO SECTION IS TO BE SHORTER THAN 4'.
- EXPANSION JOINTS WITH 1/2" PREMOULDED JOINT FILLER TO BE PLACED AT A SPACING NO GREATER THAN 75'.
- C.I.P. = CAST-IN-PLACE



PAVED DITCH AND ANCHOR WALL  
IDOT STANDARD 2258-5



TRANSITION FROM CULVERT HEADWALL  
WEST PAVED DITCH

No.	Drawing Issue	Description	Date	By

Date

Sheet Title

PAVED DITCH DETAIL

840-05C8046  
Project Number  
LDH 01/12/06  
Layout By Date  
LDH 01/12/06  
Designed By Date  
CRC 05/05/06  
Reviewed By Date  
LDH  
Drawn By

I:\05\085\00840\05C8046\DRAWINGS\SHEETS\17-PAVED DITCH DETAILS.DWG MAY 08 2006 1:55PM LDH