



HANSON PROFESSIONAL SERVICES INC.

815 Commerce Drive, Suite 200  
Oak Brook, Illinois 60523  
Telephone: 630.990.3800  
Fax: 630.990.3801

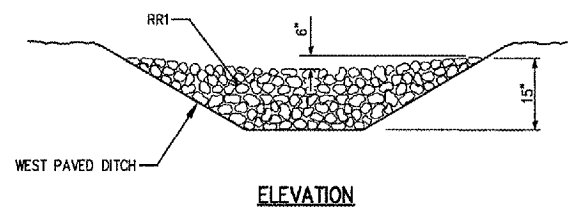
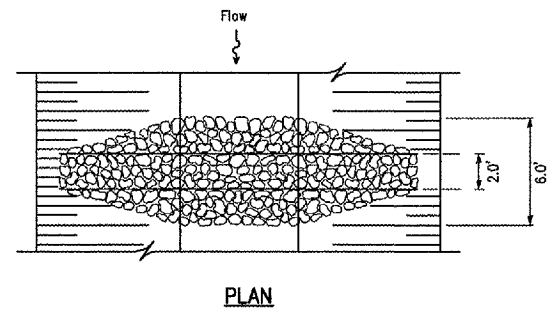
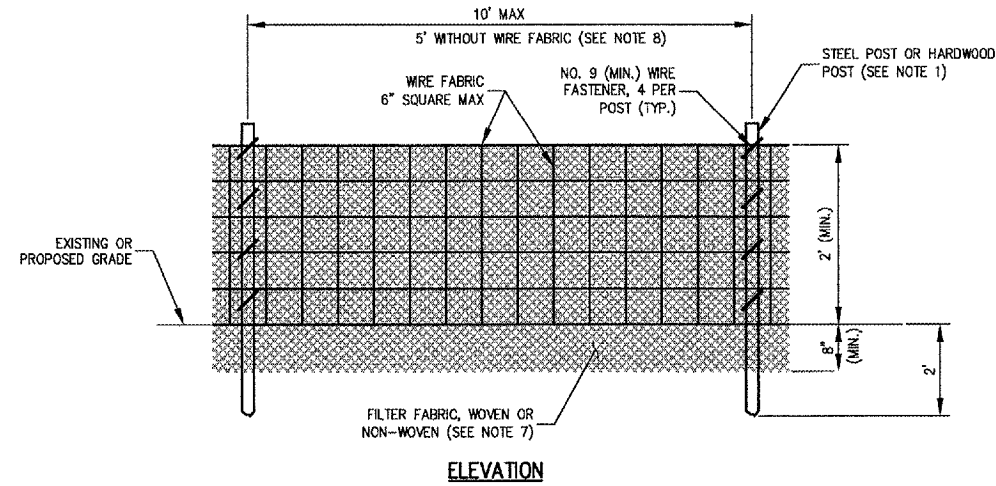


JOLIET REGIONAL PORT DISTRICT

1 Hangar Road  
Romeoville, Illinois 60446  
Telephone: 815.838.9497  
Fax: 815.838.9524

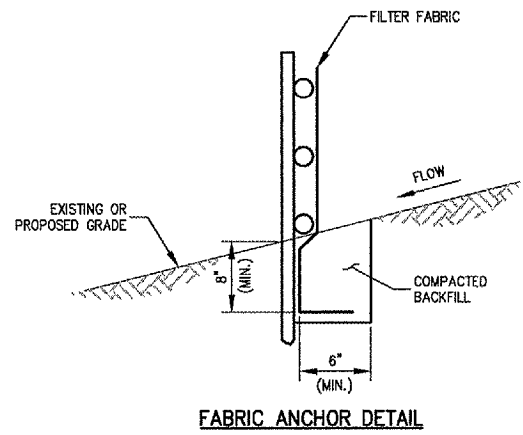
CONSTRUCT RUNWAY 2-20  
DRAINAGE CULVERTS AND  
IMPROVEMENTS

AIP PROJECT NO. 3-17-0140-B40  
IDA PROJECT NO. LOT-3596



NOTES:

- 1. FENCE POST SHALL BE EITHER STEEL "1" LINE POST OR HARDWOOD POST WITH A MINIMUM SECTIONAL AREA OF 3.0 SQUARE INCHES.
2. TOP AND BOTTOM WIRE OF WIRE FABRIC SHALL BE MINIMUM GAGE NO. 9. INTERMEDIATE WIRES OF THE WIRE FABRIC SHALL BE MINIMUM GAGE NO. 11.
3. WIRE FABRIC SHALL BE SECURELY FASTENED TO FENCE POSTS WITH NO. 9 GAGE WIRE MINIMUM. FOUR (4) FASTENERS PER POST REQUIRED.
4. FILTER FABRIC SHALL BE SECURELY FASTENED TO WIRE FABRIC AND POSTS WITH TIES OR STAPLES SPACED AT 12" APART AT THE TOP, MIDDLE AND BOTTOM.
5. WHEN TWO SECTIONS OF FILTER FABRIC MEET, THEY SHALL BE OVERLAPPED BY 6" AND FOLDED AND ATTACHED TO THE WIRE FABRIC AT A POST.
6. MAINTENANCE SHALL BE PERFORMED AS NEEDED AND MATERIAL REMOVED AND REPLACED WHEN BULGES DEVELOP IN THE SILT FENCE.
7. FILTER FABRIC SHALL BE IN ACCORDANCE WITH SPECIAL PROVISIONS WITH EQUIVALENT OPENING SIZE OF AT LEAST 30 FOR NONWOVEN AND 50 FOR WOVEN.
8. WIRE FABRIC MAY BE OMITTED IF A MAXIMUM OF 5 FEET IS USED FOR POST-TO-POST SPACING.
9. SILT FENCE SHALL BE INSTALLED PRIOR TO ANY GRADING WORK IN THE AREA TO BE PROTECTED. PERIODIC INSPECTION SHALL BE PERFORMED AND REQUIRED MAINTENANCE SHALL BE PROVIDED AFTER EACH RAIN EVENT.
10. FENCE POSTS SHALL BE REMOVED WHEN DIRECTED AT PROJECT END.



SILT FENCE PLAN

AGGREGATE DITCH CHECK

Table with 4 columns: No., Drawing Issue Description, Date, By. It contains a grid for tracking drawing issues.

Date MAY 5, 2006  
Sheet Title

STORMWATER POLLUTION PREVENTION DETAILS

840-05C8046  
Project Number  
LDH 10/07/05  
Layout By Date  
LDH 10/07/05  
Designed By Date  
CRC 05/05/06  
Reviewed By Date  
LDH  
Drawn By

50

DETAILS SHOWN ARE NOT TO SCALE