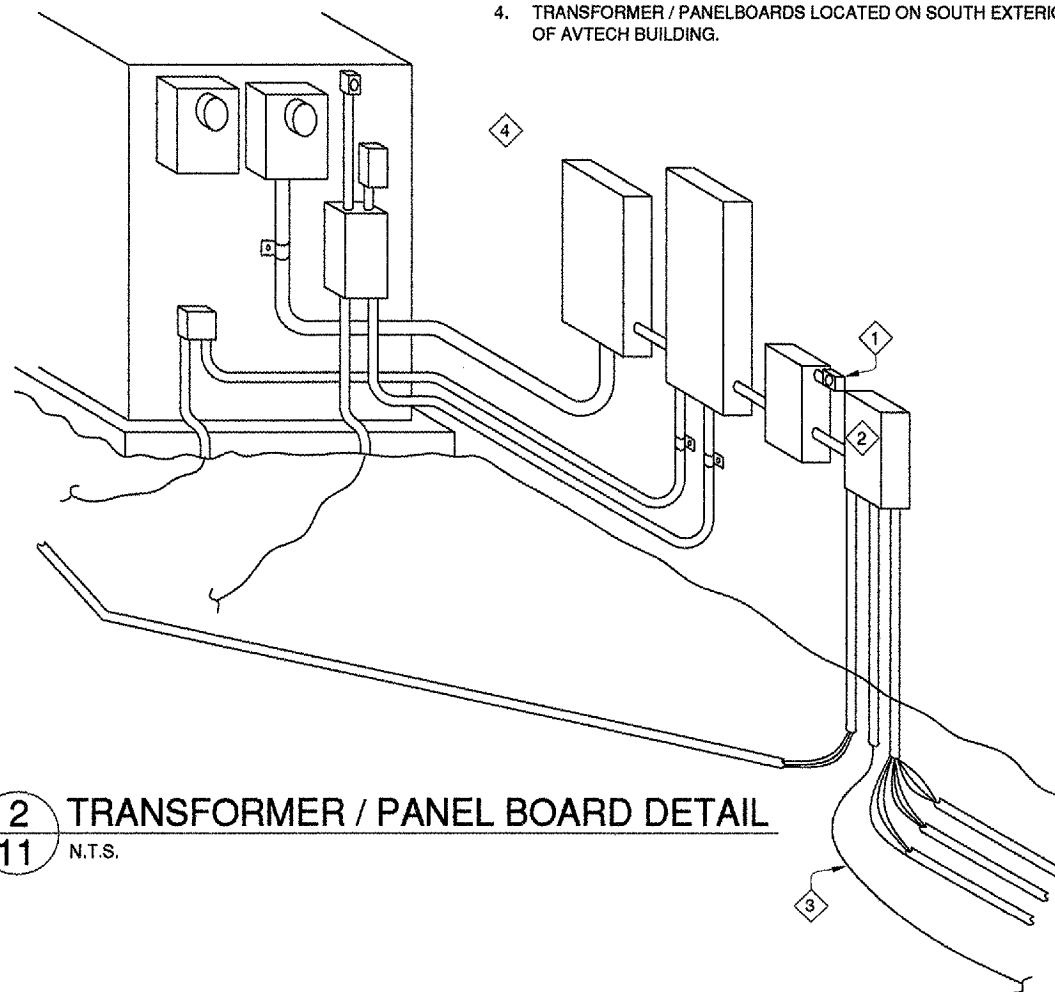


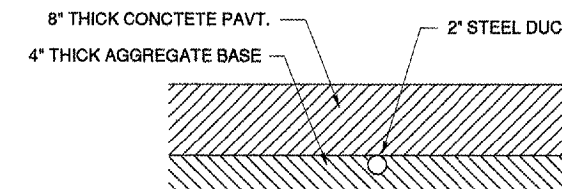
1 CABLE IN UNIT DUCT DETAIL
11 N.T.S.

THE LOCATION OF UNDERGROUND UTILITIES AS INDICATED ON THE PLANS HAS BEEN OBTAINED FROM THE EXISTING RECORDS. NEITHER THE OWNER NOR THE ENGINEER ASSUMES ANY RESPONSIBILITY WHATSOEVER IN RESPECT TO THE ACCURACY, COMPLETENESS, OR SUFFICIENCY OF THE INFORMATION. THERE IS NO GUARANTEE, EITHER EXPRESSED OR IMPLIED, THAT THE LOCATIONS, SIZE AND TYPE OF MATERIAL OF EXISTING UNDERGROUND UTILITIES INDICATED ARE REPRESENTATIVE OF THOSE TO BE ENCOUNTERED IN THE CONSTRUCTION.

- ◇ TRANSFORMER / PANELBOARD DETAIL NOTES:
- EXISTING LIGHTING CONTACTOR & PHOTO CONTROL TO REMAIN.
 - EXISTING PANELBOARD "D" TO REMAIN. NORTH RAMP LIGHTS CONNECTED TO 2P/40 AMP CKT. #1 & 3.
 - EXISTING BUIED NORTH RAMP LIGHT WIRING TO REMAIN.
 - TRANSFORMER / PANELBOARDS LOCATED ON SOUTH EXTERIOR WALL OF AVTECH BUILDING.

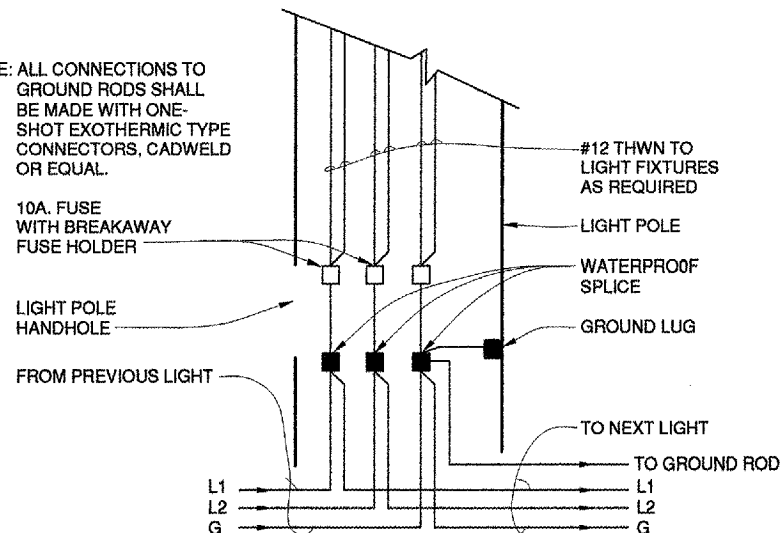


2 TRANSFORMER / PANEL BOARD DETAIL
11 N.T.S.



6 STEEL DUCT, DIRECT BURY DETAIL
11 N.T.S.

NOTE: ALL CONNECTIONS TO GROUND RODS SHALL BE MADE WITH ONE-SHOT EXOTHERMIC TYPE CONNECTORS, CADWELD OR EQUAL.

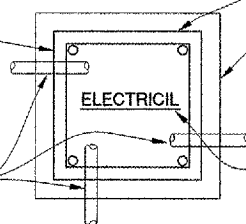


3 LIGHT POLE HANDHOLE WIRING DIAGRAM
11 N.T.S.

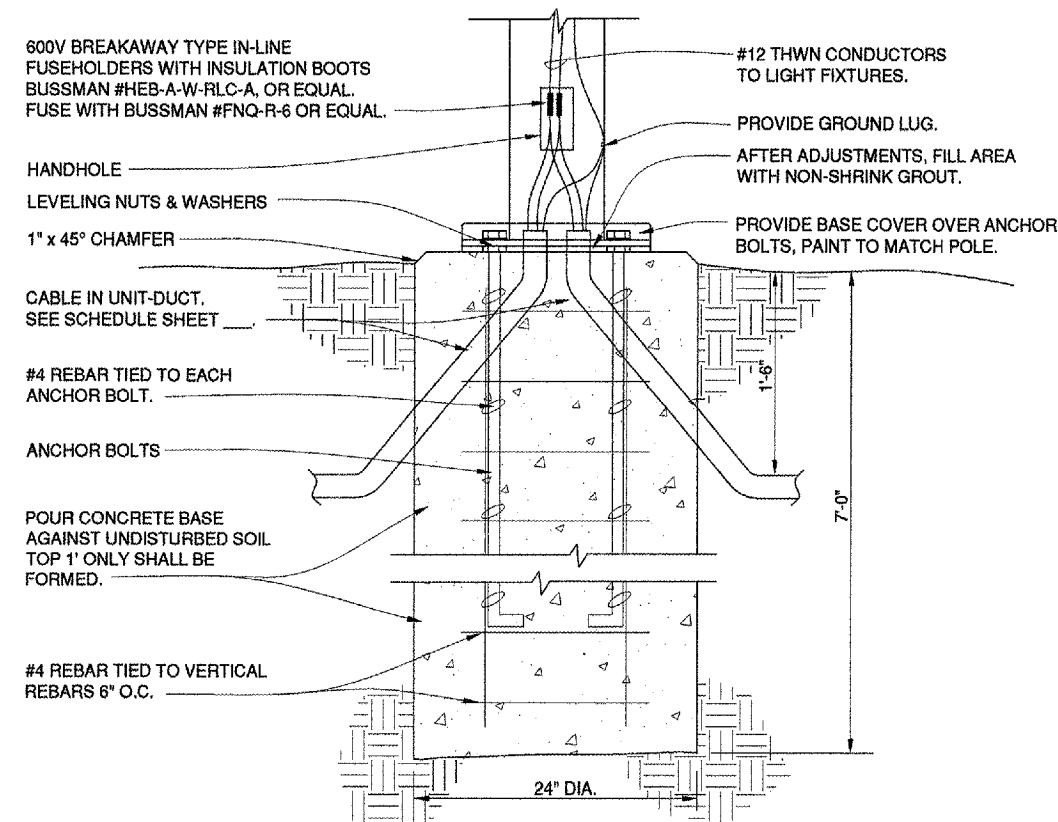
BOX SHALL BE 12" x 12" x 12" COMPOSOLITE WITH COVER RATED FOR 8,000 LBS LOADING - QUAZITE #PC1212BG12/PC1212CG00, OR EQUAL. THIS BOX SHALL BE INCIDENTAL TO ITEM AR108652.

SET BOX WITH TOP 1" ABOVE GRADE.

SEE SITE PLANS FOR CONDUITS REQUIRED. PROVIDE 1 SPARE - 1" PVC CONDUIT STUBBED OUT FOR FUTURE USE.



4 DETAIL SUBGRADE JUNCTION BOX
11 N.T.S.



5 RAMP LIGHT ASSEMBLY - BASE DETAIL
11 N.T.S.