

SUMMARY OF QUANTITIES

PAYCODE	ITEM DESCRIPTION	UNIT	TOTAL	TRAIL 80%FEDERAL 20%LOCAL 0028
20200100	EARTH EXCAVATION	CU YD	631	631
20800150	TRENCH BACKFILL	CU YD	5	5
21101625	TOPSOIL FURNISH AND PLACE, 6"	SQ YD	2,255	2,255
† 25000210	SEEDING, CLASS 2A	ACRE	0.5	0.5
† 25000400	NITROGEN FERTILIZER NUTRIENT	POUND	45	45
† 25000600	POTASSIUM FERTILIZER NUTRIENT	POUND	45	45
† 25100630	EROSION CONTROL BLANKET	SQ YD	2,255	2,255
28000250	TEMPORARY EROSION CONTROL SEEDING	POUND	50	50
28000305	TEMPORARY DITCH CHECKS	FOOT	100	100
28000400	PERIMETER EROSION BARRIER	FOOT	625	625
31101400	SUBBASE GRANULAR MATERIAL, TYPE B 6"	SQ YD	1,870	1,870
40603335	HOT-MIX ASPHALT SURFACE COURSE, MIX "D", N50	TON	180	180
40800025	BITUMINOUS MATERIALS (PRIME COAT)	POUND	3,515	3,515
42400200	PORTLAND CEMENT CONCRETE SIDEWALK 5 INCH	SQ FT	120	120
42400800	DETECTABLE WARNINGS	SQ FT	60	60
44000100	PAVEMENT REMOVAL	SQ YD	135	135
54200217	PIPE CULVERTS, CLASS D, TYPE 1 12"	FOOT	48	48
67100100	MOBILIZATION	LSUM	1	1
70102640	TRAFFIC CONTROL AND PROTECTION, STANDARD 701801	LSUM	1	1
72000100	SIGN PANEL - TYPE 1	SQ FT	7	7
72800100	TELESCOPING STEEL SIGN SUPPORT	FOOT	42	42
† 78000650	THERMOPLASTIC PAVEMENT MARKING - LINE 24"	FOOT	10	10
• K1005875	TREE TRANSPLANT	EACH	1	1
• X0350805	FOLD DOWN BOLLARDS	EACH	3	3
• X0350810	BOLLARD REMOVAL	EACH	3	3
• X2130010	EXPLORATION TRENCH, SPECIAL	FOOT	40	40
• X6300235	WOOD POSTS	EACH	6	6
• Z0013798	CONSTRUCTION LAYOUT	LSUM	1	1
• Z0030850	TEMPORARY INFORMATION SIGNING	SQ FT	52	52

• SPECIAL PROVISION
† SPECIALTY ITEM

PLAN	SURVEYED	DATE
NOTE BOOK	ALIGNED	
NO.	RT. OF WAY	
	CADD FILE NAME	

PROFILE	SURVEYED	DATE
NOTE BOOK	NOTED	
NO.	STRUCTURE NOTATIONS CHFD	

HRG PROJECT NO.: 160053
 HRG PROJ. CONTACT: 053-sum.04.dgn
 FILE NAME: L:\paf.dwg.pltcfq
 PLOT DRIVER: picHaber.tbl
 PEN TABLE:



HRGreen.com
 Illinois Professional Design Firm
 #184-001322

USER NAME = bhar.tma	DESIGNED - GF	REVISED - 6/1/17
PLOT SCALE = NTS	DRAWN - RCB	REVISED -
PLOT DATE = 3/27/2017	CHECKED - BH	REVISED -
	DATE - 03/20/17	REVISED -

**STATE OF ILLINOIS
DEPARTMENT OF TRANSPORTATION**

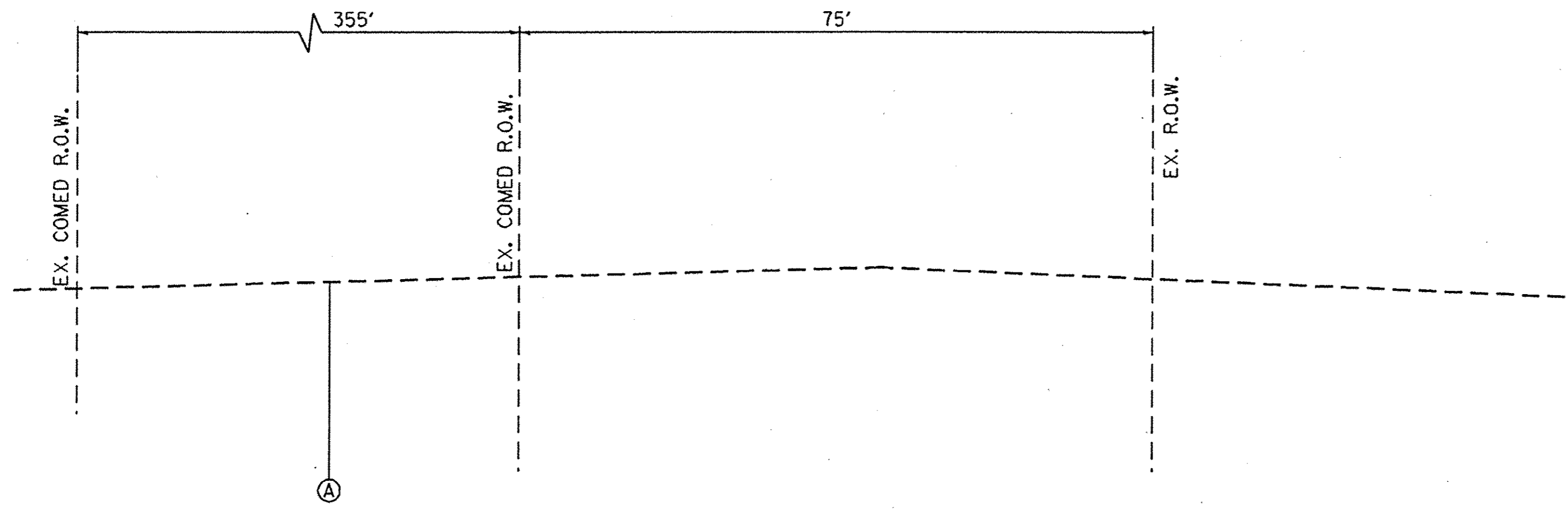
SUMMARY OF QUANTITIES

SCALE: NTS SHEET NO. 1 OF 1 SHEETS STA. TO STA.

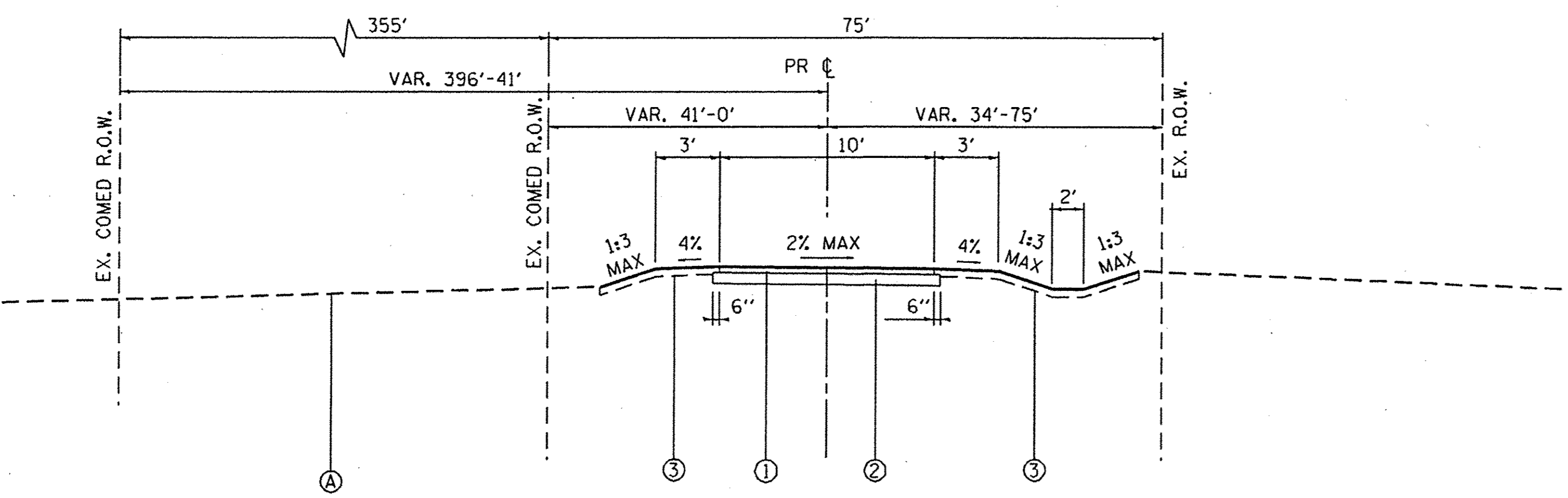
SECTION NO.	COUNTY	TOTAL SHEETS	SHEET NO.
13-00016-00-BT	WILL	17	3
CONTRACT NO. 61D86			
FED. ROAD DIST. NO.	ILLINOIS FED. AID PROJECT		

PLAN	SURVEYED	DATE
NOTE BOOK	ALIGNED	
NO.	BY	
	CHECKED	
	BY	
	DATE	

PROFILE	PROPOSED	DATE
NOTE BOOK	GRADES CHECKED	
NO.	BY	
	CHECKED	
	BY	
	DATE	



EXISTING TYPICAL SECTION
GOODINGS GROVE PATH - HERO TRAIL
STA 100+00.00 TO STA 112+70.08



PROPOSED TYPICAL SECTION
GOODINGS GROVE TRAIL
STA 100+08.33 TO STA 112+70.08

EXISTING LEGEND

Ⓐ EXISTING GROUND

PROPOSED LEGEND

- ① PROP. HOT-MIX ASPHALT SURFACE COURSE, MIX "D", N50 - 2"
- ② PROP. SUB-BASE GRANULAR MATERIAL, TYPE B, 6"
- ③ TOPSOIL FURNISH AND PLACE, 6" AND SEEDING, CLASS 2A

GDGR1			EARTHWORK BALANCE WASTE (+) OR SHORTAGE (-) WITH 20% SHRINKAGE
STATION	EARTH EXCAVATION	EMBANKMENT	
100+00.00			0.0
100+50.00	14.4	1.1	10.4
101+00.00	35.6	1.3	27.1
101+50.00	33.5	0.6	26.3
102+00.00	18.0	5.6	8.8
102+50.00	12.3	10.6	-0.8
103+00.00	13.5	9.4	1.4
103+50.00	13.1	5.6	5.0
104+00.00	12.2	7.6	20.2
104+50.00	18.6	6.8	8.1
105+00.00	36.5	0.7	28.4
105+50.00	45.8	0.0	36.7
106+00.00	44.8	0.0	35.9
106+50.00	36.1	0.0	28.9
107+00.00	24.7	0.0	19.8
107+50.00	41.0	0.0	32.8
108+00.00	66.4	0.0	53.1
108+25.00	29.8	0.0	23.8
108+50.00	15.8	0.0	12.7
109+00.00	36.9	0.0	29.6
109+50.00	29.9	14.4	9.6
110+00.00	7.6	20.8	-14.8
110+50.00	7.0	7.2	-1.6
111+00.00	3.1	1.7	0.8
111+50.00	4.5	3.2	0.4
112+07.00	17.5	2.6	11.4
112+50.00	12.1	0.0	9.7
112+70.00	1.8	0.0	1.5
TOTALS:	630.9	99.2	406.9

HOT-MIX ASPHALT MIXTURE REQUIREMENTS

MIXTURE TYPE	AIR VOIDS @Ndes
MULTI USE TRAIL	
HOT-MIX ASPHALT SURFACE COURSE, MIX "D", N50; 2"	4% @ 50 GYR.

1. THE UNIT WEIGHT USED TO CALCULATE ALL HOT-MIX ASPHALT SURFACE MIXTURES IS 112 LBS/SQ YD/IN.
2. THE "AC TYPE" FOR POLYMERIZED HMA MIXES SHALL BE "SBS/SBR PG 76-22" AND FOR NON-POLYMERIZED HMA THE "AC TYPE" TYPE SHALL BE "PG 64-22" UNLESS MODIFIED BY DISTRICT ONE SPECIAL PROVISIONS.
3. FOR USE OF RECYCLED MATERIALS SEE SPECIAL PROVISIONS.

HRG PROJECT NO.: 160853
HRG PROJ CONTACT: 053-759-6971
PLG DESIGNER: J.P.H./D.P.H./C.F.G.
PEN TABLE: J.P.H./D.P.H./C.F.G.



USER NAME = bhar.tme	DESIGNED - GF	REVISED - 06/01/17
PLOT SCALE = NTS	DRAWN - RCB	REVISED -
PLOT DATE = 6/1/2017	CHECKED - BH	REVISED -
	DATE - 03/20/17	REVISED -

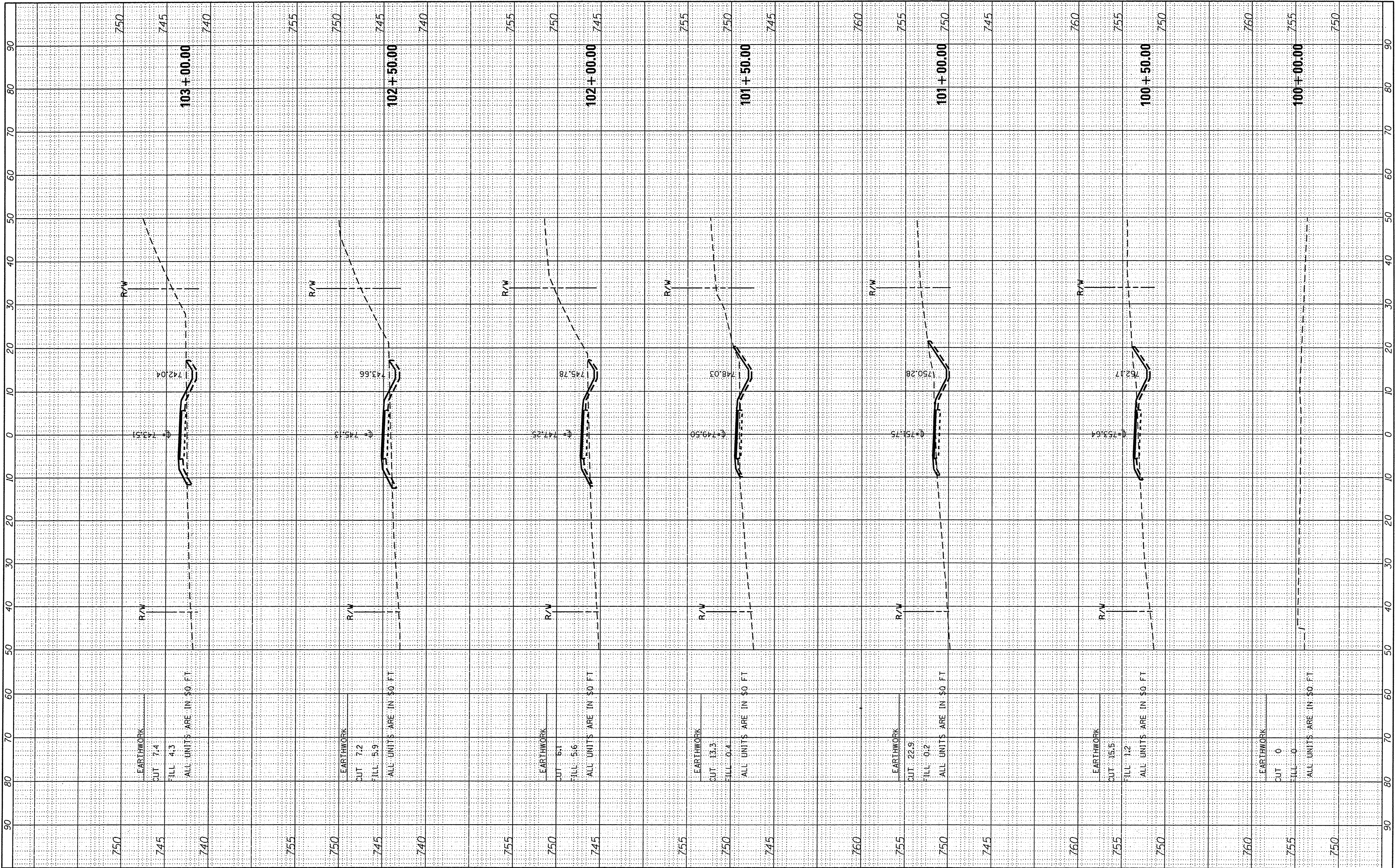
STATE OF ILLINOIS
DEPARTMENT OF TRANSPORTATION

TYPICAL SECTIONS		SECTION NO.	COUNTY	TOTAL SHEETS	SHEET NO.
SCALE: NTS		13-00016-00-BT	WILL	17	4
SHEET NO. 1 OF 1 SHEETS		CONTRACT NO. 61D86			
STA. TO STA.		FED. ROAD DIST. NO. ILLINOIS FED. AID PROJECT			

FINAL SURVEY	DATE
NO. _____	_____
SURVEYED	BY
PLOTTED	_____
TEMPLATE	_____
NOTE BOOK	_____
NO. _____	_____
AREAS CHECKED	_____

ORIGINAL SURVEY	DATE
NO. _____	_____
SURVEYED	BY
PLOTTED	_____
TEMPLATE	_____
NOTE BOOK	_____
NO. _____	_____
AREAS CHECKED	_____

HRG PROJECT NO. 160053
 HRG PROJ. CONTACT: 053-KSC.dgn
 FILE NAME: IL-pcf-bwplcfcg
 PLOT DRIVER: plotarea.tbl



USER NAME = bshertno	DESIGNED - CF	REVISED - 06/01/17
PLOT SCALE = 10H:5V	DRAWN - RCB	REVISED -
PLOT DATE = 6/1/2017	CHECKED - BH	REVISED -
	DATE - 03/20/17	REVISED -

**STATE OF ILLINOIS
DEPARTMENT OF TRANSPORTATION**

CROSS SECTIONS

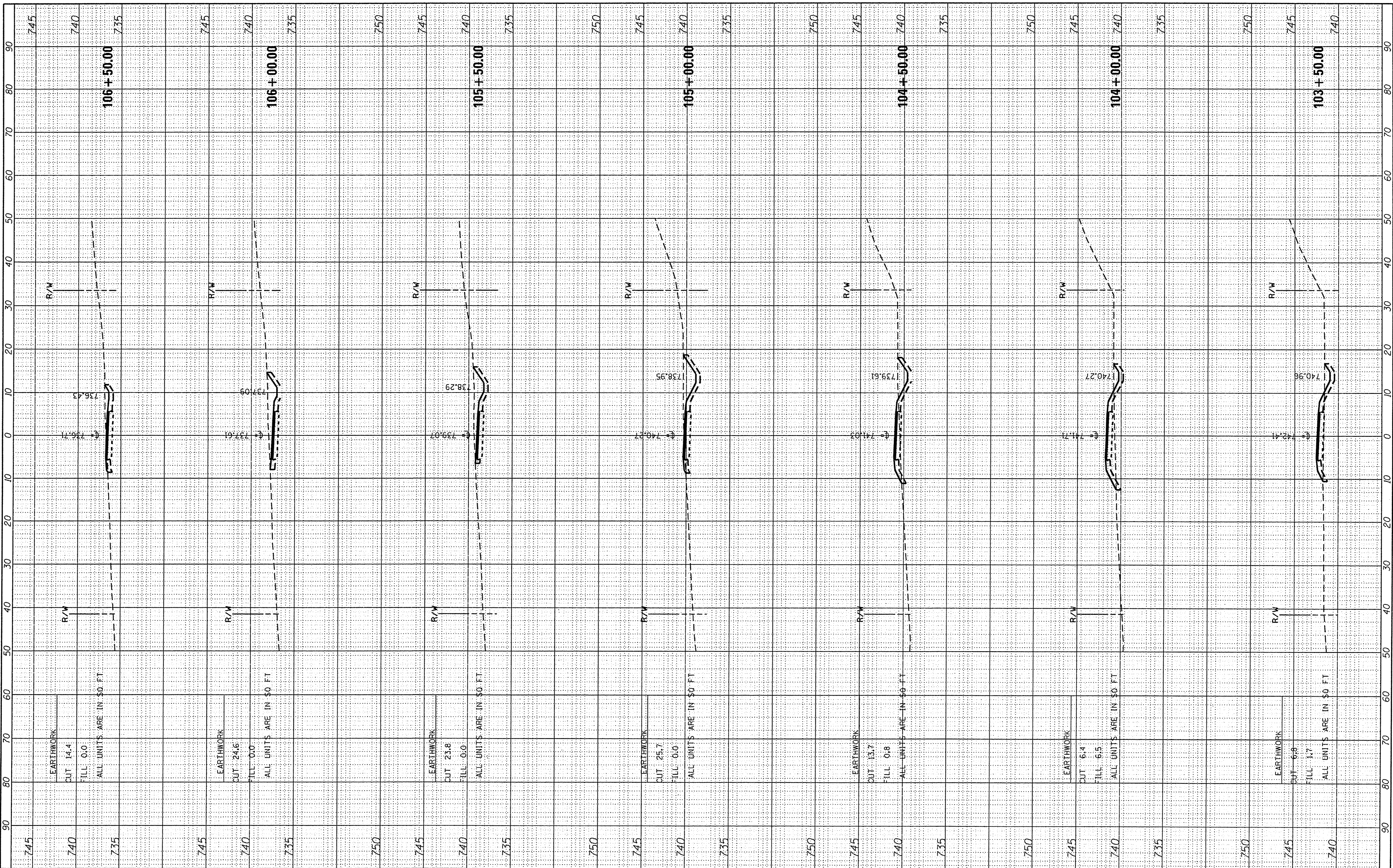
SCALE: 10H:5V SHEET NO. 1 OF 4 SHEETS STA. 100+00.00 TO STA. 103+00.00

F.A.U. RTE.	SECTION NO.	COUNTY	TOTAL SHEETS	SHEET NO.
	13-00016-00-BT	WILL	17	14
FED. ROAD DIST. NO.	ILLINOIS FED. AID PROJECT	CONTRACT NO.		

FINAL SURVEY	DATE
SURVEYED	
PLOTTED	
NOTE BOOK	
AREAS	
AREAS CHECKED	
NO.	

ORIGINAL SURVEY	DATE
SURVEYED	
PLOTTED	
NOTE BOOK	
AREAS	
AREAS CHECKED	
NO.	

HRG PROJECT NO. 160053
 HRG PROJ. CONTACT: 053-x53c.dgn
 FILE NAME: R14.ppt
 PLOT DATE: 6/1/2017



EARTHWORK	
CUT 14.4	
FILL 0.0	
ALL UNITS ARE IN 50 FT	

EARTHWORK	
CUT 24.6	
FILL 0.0	
ALL UNITS ARE IN 50 FT	

EARTHWORK	
CUT 23.8	
FILL 0.0	
ALL UNITS ARE IN 50 FT	

EARTHWORK	
CUT 25.7	
FILL 0.0	
ALL UNITS ARE IN 50 FT	

EARTHWORK	
CUT 13.7	
FILL 0.8	
ALL UNITS ARE IN 50 FT	

EARTHWORK	
CUT 6.4	
FILL 6.5	
ALL UNITS ARE IN 50 FT	

EARTHWORK	
CUT 6.8	
FILL 3.7	
ALL UNITS ARE IN 50 FT	

HRGreen.com
 Illinois Professional Design Firm
 #184-001922

USER NAME = bhar.tmo
 PLOT SCALE = 10H:5V
 PLOT DATE = 6/1/2017

DESIGNED - CF
 DRAWN - RCB
 CHECKED - BH
 DATE - 03/20/17

REVISED - 06/01/17
 REVISED -
 REVISED -
 REVISED -

STATE OF ILLINOIS
 DEPARTMENT OF TRANSPORTATION

CROSS SECTIONS

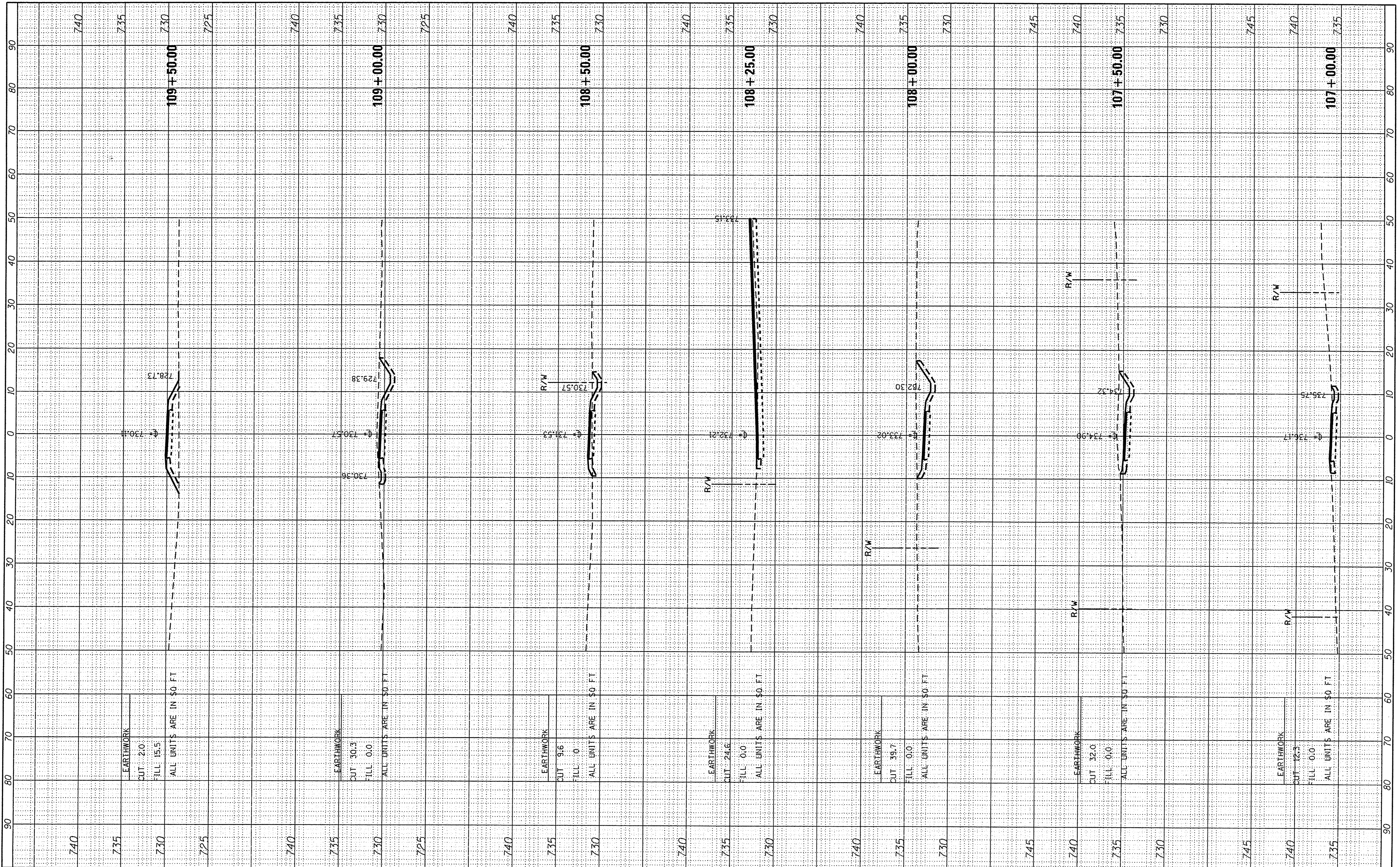
SCALE: 10H:5V SHEET NO. 2 OF 4 SHEETS STA. 103+50.00 TO STA. 106+50.00

F.A.U. RTE.	SECTION NO.	COUNTY	TOTAL SHEETS	SHEET NO.
	13-00016-00-BT	WILL	17	15
CONTRACT NO.				
FED. ROAD DIST. NO. [ILLINOIS] FED. AID PROJECT				

ORIGINAL SURVEY	DATE
SURVEYED	BY
PLOTTED	
NOTE BOOK	
AREAS CHECKED	
AREAS CHECKED	
NO.	

ORIGINAL SURVEY	DATE
SURVEYED	BY
PLOTTED	
NOTE BOOK	
AREAS CHECKED	
AREAS CHECKED	
NO.	

HRG PROJECT NO. 160053
 HRG PROJ. CONTACT: 063-KSC:001
 FILE NAME: IL-pof-bwplterfg
 PLOT DRIVER: plottblerfg



EARTHWORK
 CUT 2.0
 FILL 15.5
 ALL UNITS ARE IN 50 FT

EARTHWORK
 CUT 30.3
 FILL 0.0
 ALL UNITS ARE IN 50 FT

EARTHWORK
 CUT 9.6
 FILL 0
 ALL UNITS ARE IN 50 FT

EARTHWORK
 CUT 24.6
 FILL 0.0
 ALL UNITS ARE IN 50 FT

EARTHWORK
 CUT 99.7
 FILL 0.0
 ALL UNITS ARE IN 50 FT

EARTHWORK
 CUT 32.0
 FILL 0.0
 ALL UNITS ARE IN 50 FT

EARTHWORK
 CUT 12.3
 FILL 0.0
 ALL UNITS ARE IN 50 FT

HRGreen.com
 #184-001322

USER NAME = bhermo	DESIGNED - GF	REVISED - 06/01/17
PLOT SCALE = 10H:5V	DRAWN - RCB	REVISED -
PLOT DATE = 6/1/2017	CHECKED - BH	REVISED -
	DATE - 03/20/17	REVISED -

STATE OF ILLINOIS
 DEPARTMENT OF TRANSPORTATION

CROSS SECTIONS

SCALE: 10H:5V SHEET NO. 3 OF 4 SHEETS STA. 107+00.00 TO STA. 109+50.00

F.A.U. RTE.	SECTION NO.	COUNTY	TOTAL SHEETS	SHEET NO.
	13-00016-00-BT	WILL	17	16
CONTRACT NO.				
FED. ROAD DIST. NO. [ILLINOIS] FED. AID PROJECT				