

ROUTE NO.	SECTION	COUNTY	TOTAL SHEETS	SHEET NO.
F.A.U. 9636	14-00106-01-FP	WILLIAMSON	21	01
ILLINOIS		N. RUSSELL ST.		

CONTRACT NO 99579

STATE OF ILLINOIS
DEPARTMENT OF TRANSPORTATION

PLANS FOR PROPOSED CITY STREET IMPROVEMENTS

**FAU ROUTE 9636
SECTION 14-00106-01-RP
MARION, ILLINOIS
N. RUSSELL ST.
PROJECT NO. M-5008 (036)
JOB NO. C-99-528-15**

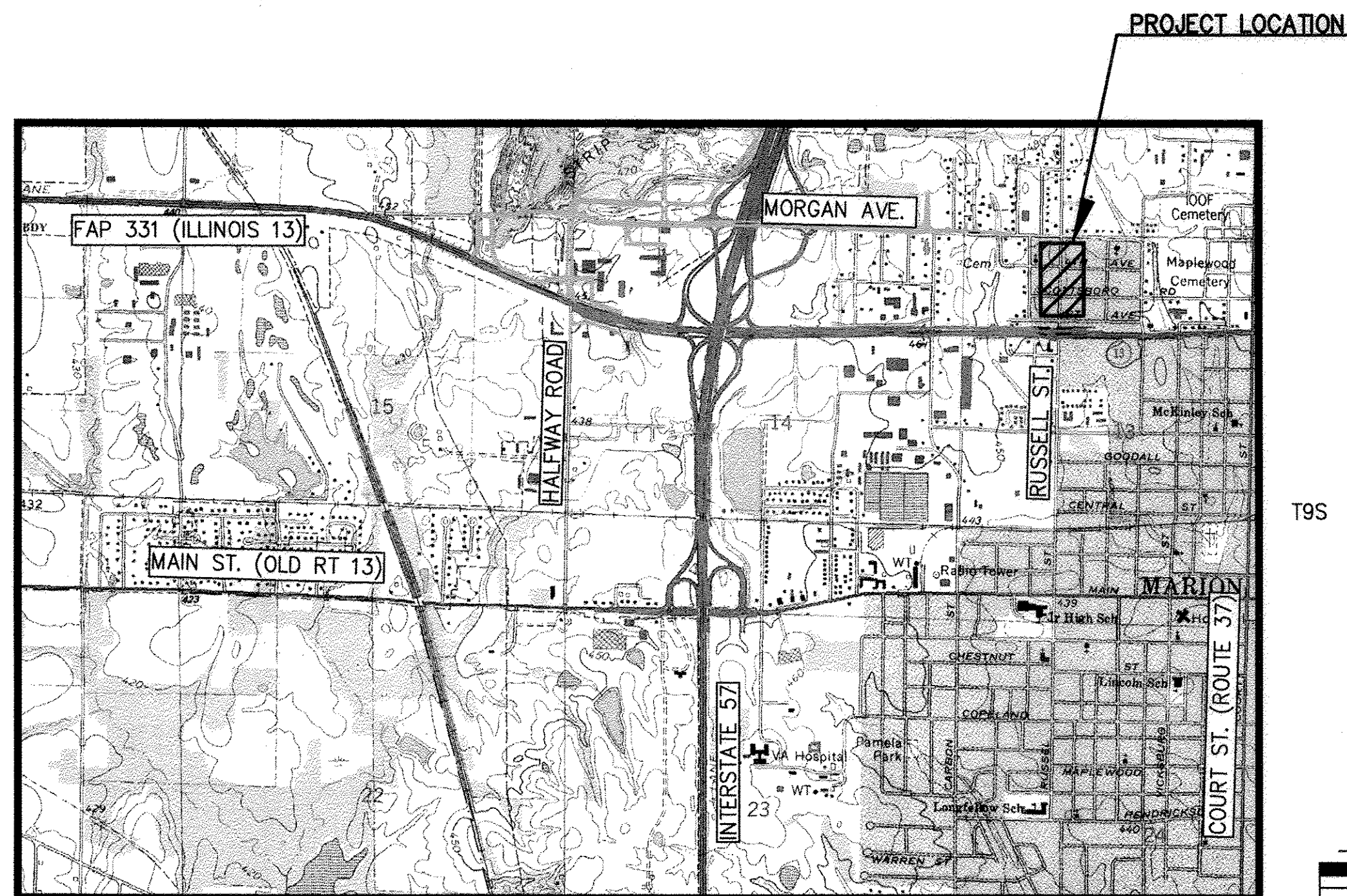
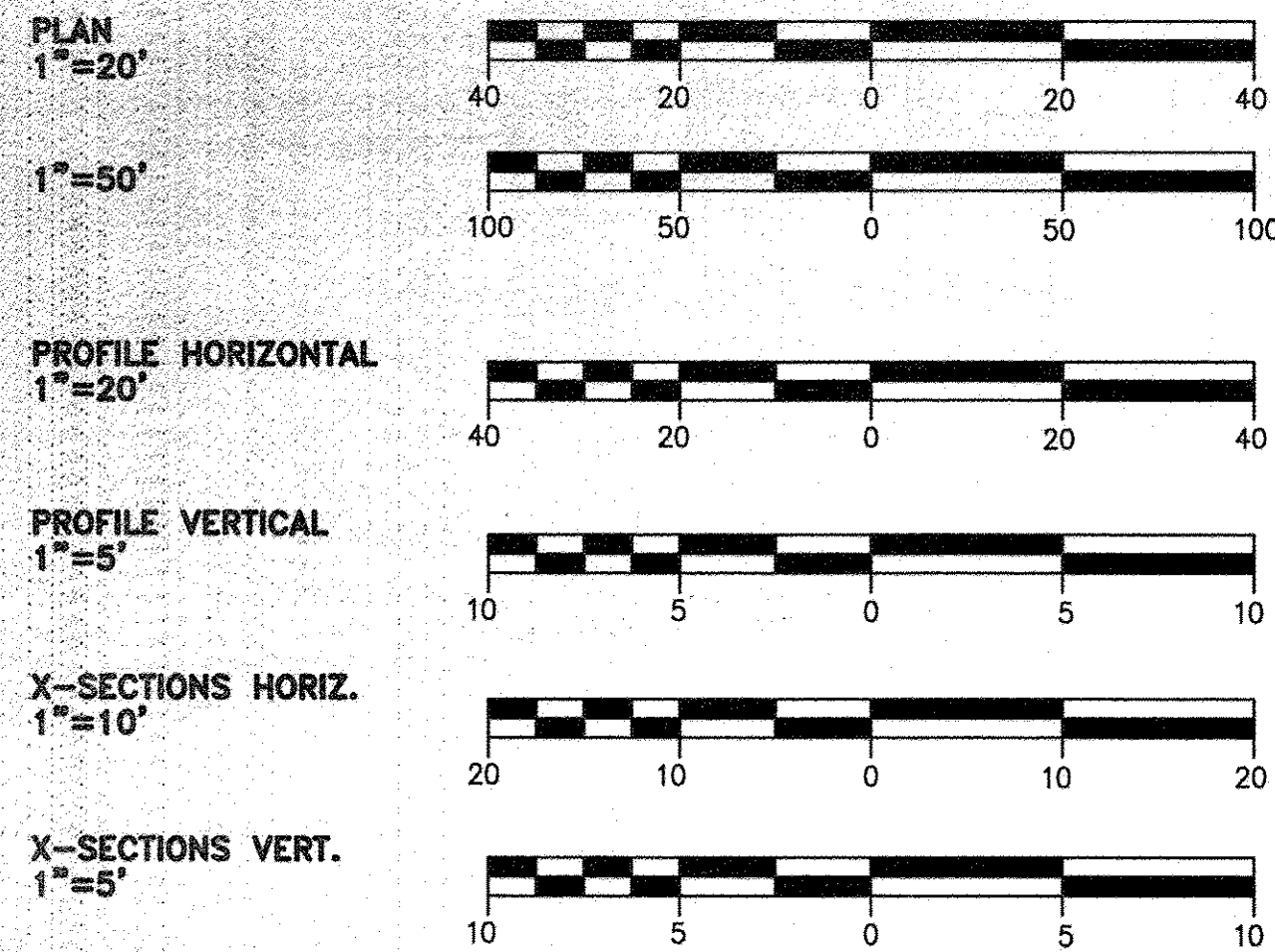


SH. NO.	INDEX OF SHEETS DESCRIPTION
01	COVER
02	GENERAL LAYOUT
03	SUMMARY OF QUANTITY
04	TYPICAL SECTIONS
05	TRAFFIC CONTROL
06-07	REMOVALS
08-09	EROSION CONTROL
10-11	PLAN AND PROFILE (RUSSELL STREET)
12	PLAN & PROFILE (SCOTTSBORO STORM SEWER)
13	INTERSECTION ENTRANCE DETAILS
14	PAVEMENT MARKING PLAN
15-16	ROW PLAT
17	MISCELLANEOUS DETAILS
18-21	CROSS SECTIONS

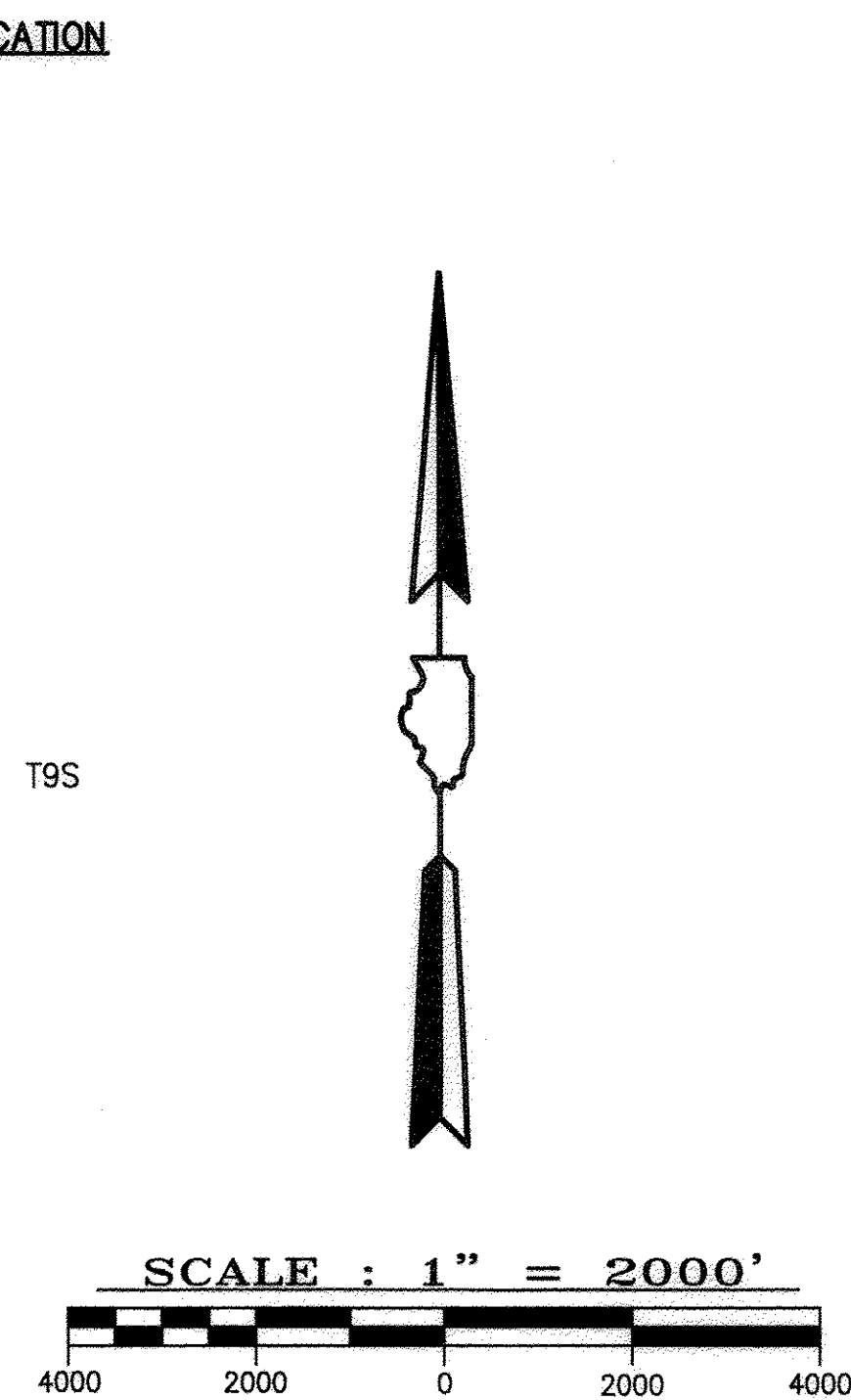
STANDARDS	
000001-06	STANDARD SYMBOLS, ABBREVIATIONS AND PATTERNS
280001-07	TEMPORARY EROSION CONTROL SYSTEMS
420001-08	PAVEMENT JOINTS
542401-02	METAL END SECTIONS
604001-04	FRAME AND LIDS, TYPE 1
606001-06	CONCRETE CURB TYPE B AND COMBINATION CONCRETE CURB AND GUTTER
701006-05	OFF-RD OPS, 2L, 2W, 15' TO 24" FROM PVMT EDGE
701011-04	OFF-RD MOVING OPS, 2L, 2W, DAY ONLY
701301-04	LANE CLOSURE, 2L, 2W, SHORT TIME
701306-03	LANE CLOSURE, 2L, 2W, MOVING OPS, DAY ONLY, SPEEDS > 45
701311-03	LANE CLOSURE, 2L, 2W, MOVING OPS, DAY ONLY
701502-07	URBAN LANE CLOSURE, 2L, 2W WITH BIDIRECTIONAL LEFT TURN LANE
701901-06	TRAFFIC CONTROL DEVICES
780001-05	TYPICAL PAVEMENT MARKINGS
BLR-10-06	PCC PAVEMENT SPECIAL

NOTE: USE LATEST STANDARDS
LOCATED IN SPECIAL PROVISIONS.

SCALES IN FEET



NET LENGTH OF PROJECT = 753.31 L.F. = 0.143 MI.



CONTRACTOR SHALL CONTACT J.U.L.I.E. OPERATOR AT 1-800-892-0123 FOR MARKING OF EXISTING UNDERGROUND UTILITIES. J.U.L.I.E. SHOULD BE CONTACTED A MINIMUM OF 96 HOURS IN ADVANCE OF CONSTRUCTION. CONTRACTOR SHALL MEET ALL REQUIREMENTS FOR CROSSING OF ANY EXISTING UTILITIES.

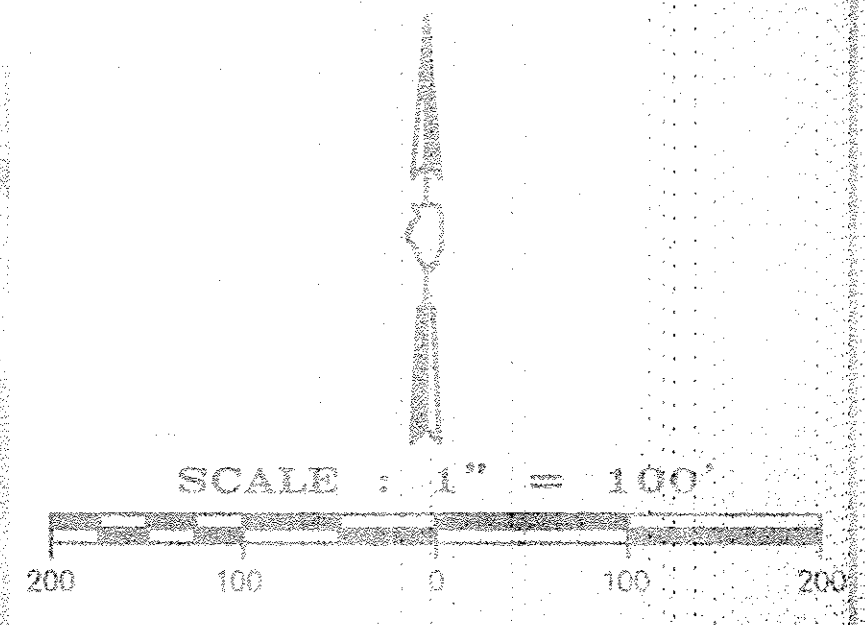
CONTRACT NUMBER 99579

STATE OF ILLINOIS DEPARTMENT OF TRANSPORTATION	
APPROVED	March 14, 2017 Robert L. Butler MAYOR, CITY OF MARION
PASSED	April 10, 2017 Dan W. Hill DISTRICT 9 ENGINEER OF LOCAL ROADS & STREETS
RELEASING FOR BID BASED ON LIMITED REVIEW	April 10, 2017 William L. Kern DEPUTY DIRECTOR OF HIGHWAYS, REGION 5 ENGINEER

PREPARED BY:
CLARIDA & ZIEGLER ENGINEERING
MARION, ILLINOIS

WILLIAM BRIAN ZIEGLER, P.E.
DATE: 3/10/17

EXPIRES: NOVEMBER 30, 2017



STATE OF ILLINOIS PROFESSIONAL DESIGN FIRM LICENSE NO. 184-014618

REVISIONS	
DATE	NO.

© 2015 ALL RIGHTS RESERVED

CLARIDA & ZIEGLER
ENGINEERING CO.
410 North Court St, P.O. Box 337
Marion, Illinois 62959
Phone - (618)993-6411, Fax - (618)993-6750

GENERAL LAYOUT
N. RUSSELL ST. IMPROVEMENTS
MARION, ILLINOIS

Date 08/31/2015 DR. By TW CK'D By HGC
Scale 1"=100' Job No. 06167 Sheet No. 02 of 21

CONTRACT NO 99579

GENERAL NOTES

ALL EARTHWORK REQUIRED FOR CONSTRUCTING BASE COURSE, AND COMBINATION CURB AND GUTTER IS INCLUDED IN THE QUANTITY OF EARTHWORK SHOWN ON THE PLANS. EXCAVATION OF 6" BEYOND THE BACK OF CURB IS INCLUDED IN THE EARTHWORK QUANTITY FOR OVER-DIG.

TREES SHALL BE PRESERVED THROUGHOUT THIS SECTION AS SHOWN ON THE PLANS AND AS DIRECTED BY THE ENGINEER.

FORMS FOR CONCRETE GUTTER AND COMBINATION CONCRETE CURB AND GUTTER SHALL BE OF METAL ONLY, EXCEPT THAT WOOD FORMS MAY BE USED ON SHORT RADIUS CURVES.

TRENCH BACKFILL REQUIRED FOR STORM SEWER, SANITARY SEWER, OR WATER MAINS SHALL ONLY BE PLACED UP TO ONE FOOT BELOW THE FINAL GRADE IN AREAS HAVING A PROPOSED GRASS OR SOD SURFACE.

ONLY CONCRETE DRIVEWAYS SHALL BE PAID FOR AS DRIVEWAY PAVEMENT REMOVAL. ALL EXCAVATION OF AGGREGATE, MULTIPLE A-1 SURFACES, BITUMINOUS WEDGES AND OTHER MISCELLANEOUS MATERIAL IS INCLUDED IN THE QUANTITY OF EARTHWORK SHOWN IN THE PLANS AND SHALL BE PAID FOR AT THE CONTRACT UNIT PRICE PER CUBIC YARD OF EARTH EXCAVATION.

WHERE EXISTING STORM SEWER IS REMOVED, TRENCH BACKFILL SHALL BE PLACED IN AREAS SPECIFIED IN SECTION 208 OF THE STANDARD SPECIFICATIONS.

ALL STORM SEWERS FOR ACROSS ROAD CONSTRUCTION AND WHERE SHOWN ON THE PLANS SHALL BE "REINFORCED CONCRETE CULVERT, STORM DRAIN AND SEWER PIPE GASKETED JOINTS" CONFORMING TO THE REQUIREMENTS OF SECTION 550 OF THE STANDARD SPECIFICATIONS, OR, WHERE SHOWN ON THE PLANS, HDPP PIPE MEETING THE REQUIREMENTS OF ASTM D4101 AND GASKETS MEETING ASTM F477.

WHERE SECTION OR SUBSECTION MONUMENTS ARE ENCOUNTERED, THE ENGINEER SHALL BE NOTIFIED BEFORE SUCH MONUMENTS ARE REMOVED. THE CONTRACTOR SHALL PROTECT AND CAREFULLY PRESERVE ALL PROPERTY MARKERS AND MONUMENTS UNTIL THE OWNER, AN AUTHORIZED SURVEYOR, OR AGENT HAS WITNESSED OR OTHERWISE REFERENCED THEIR LOCATION. THE CONTRACTOR WILL BE RESPONSIBLE FOR HAVING AN AUTHORIZED SURVEYOR REESTABLISH ANY SECTION OR SUBSECTION MONUMENTS DESTROYED BY HIS OPERATIONS. AT THE LOCATION OF ANY MONUMENTS AND AFTER THE PAVING PORTION OF THE WORK HAS BEEN COMPLETED, THE CONTRACTOR SHALL CORE DRILL THE PAVEMENT 4" IN DIAMETER TO A DEPTH OF 24" TO ALLOW FOR THE PLACEMENT OF A SURVEY MONUMENT.

FACTORS USED FOR QUANTITY CALCULATIONS ARE AS FOLLOWS:

ALL BITUMINOUS CONCRETE	115 LB/SQ YD/INCH
ALL AGGREGATE	1.9 TON/CU YD
RIPRAP	1.5 TON/CU YD
TRENCH BACKFILL	1.9 TON/CU YD

TRAFFIC CONTROL SHALL BE IN ACCORDANCE WITH THE APPLICABLE STANDARDS AS INCLUDED WITH THE CONTRACT DOCUMENTS, EXCEPT AS MODIFIED IN THE PLANS AND AS DIRECTED BY THE ENGINEER.

THE FOLLOWING UTILITY COMPANIES HAVE FACILITIES WITHIN THE LIMITS OF CONSTRUCTION. ADJUSTMENTS IN UTILITY LOCATIONS WILL BE MADE BY THE OWNER, UNLESS OTHERWISE NOTED ON THE PLANS.

ELECTRIC & GAS

AMEREN/OIPS
1800 W. MAIN ST.
MARION, ILLINOIS 62959
618-993-3311

SOUTHEASTERN ILLINOIS ELECTRIC CO-OP
618-273-2611

TELEPHONE

FRONTIER
208 WEST UNION STREET
MARION, ILLINOIS 62959
309-663-3422

CABLE TV

MEDIACOM
618-993-5216

FIBER OPTIC

WINDSTREAM
102 EAST SHAFER STREET
FORSYTH, ILLINOIS 62535
217-876-7194 ext. 221

WATER & SEWER

CITY OF MARION
100 PUBLIC SQUARE
MARION, ILLINOIS 62959
WATER DEPT. 618-993-5610
SEWER DEPT. 618-993-5663

THE DISTRICT BUREAU OF OPERATIONS SHALL BE NOTIFIED AT LEAST 10 DAYS PRIOR TO PLACEMENT OF THE FINAL PAVEMENT MARKINGS.

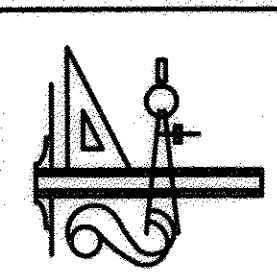
UTILITIES ARE SHOWN IN ACCORDANCE WITH THE BEST AVAILABLE INFORMATION AND THEIR TRUE LOCATIONS ARE NOT GUARANTEED TO BE AS SHOWN IN THE PLANS.

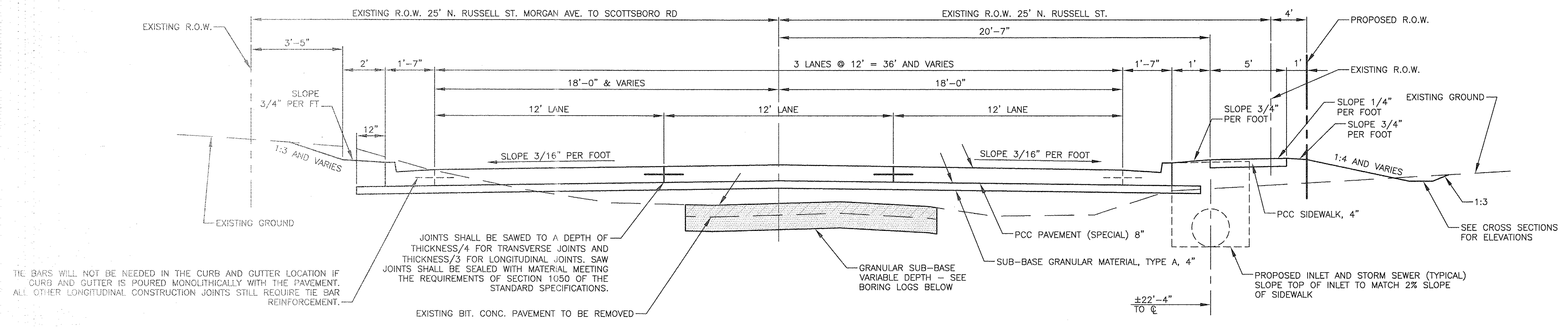
THE CONTRACTOR SHALL MOVE THE MAILBOXES AS DIRECTED BY THE ENGINEER, AND INSTALL THEM READY TO RECEIVE MAIL. AT THE CONCLUSION OF THE PROJECT, THE CONTRACTOR SHALL REPLACE THE MAILBOXES AT THE HOUSES FROM WHICH THEY WERE MOVED. THE COST OF MOVING THE MAILBOXES IS INCLUDED WITH THE COST THIS CONTRACT.

SUMMARY OF QUANTITIES

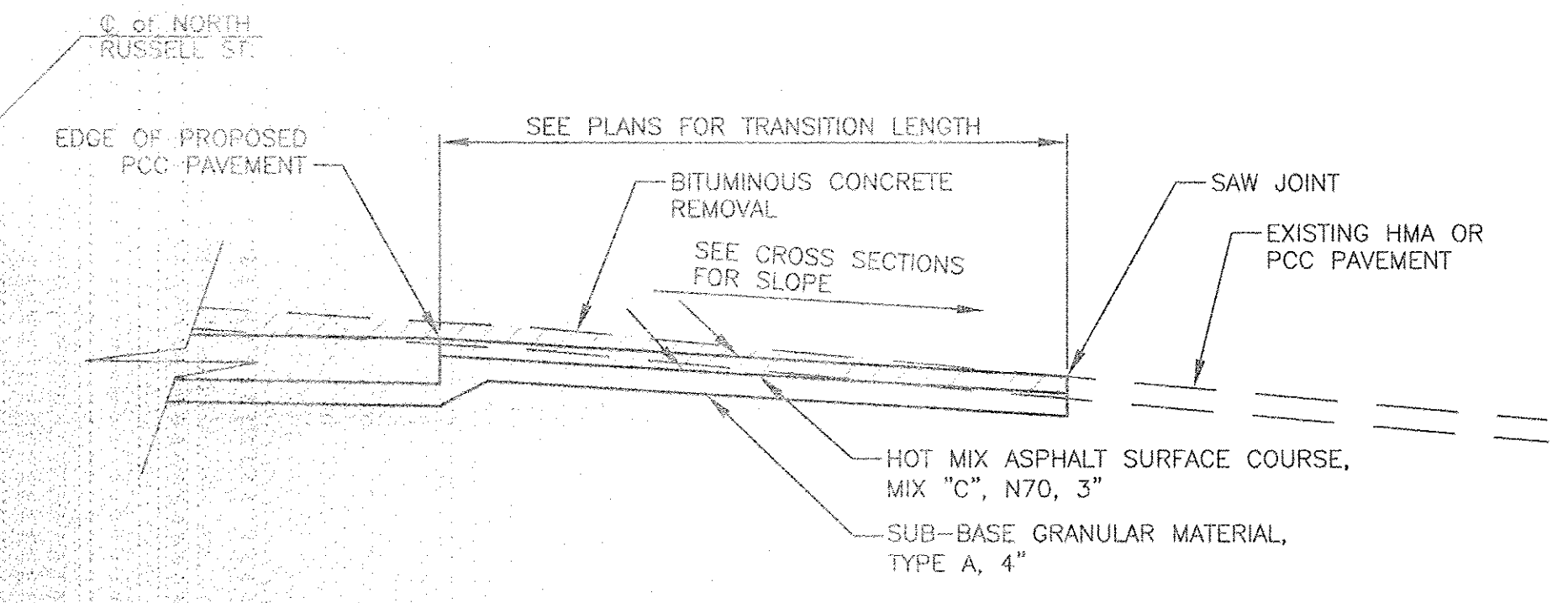
ITEM NO.	ITEMS	UNITS	TOTAL	SHT 10	SHT 11	SHT 12
20200100	EARTH EXCAVATION	CU YD	1910	1342	564	4
20201200	REMOVAL AND DISPOSAL OF UNSUITABLE MATERIAL	CU YD	170	85	85	
20600110	GRANULAR EMBANKMENT SPECIAL	TON	196	125	71	
20800150	TRENCH BACKFILL	CU YD	118	65	19	34
21001000	GEOTECHNICAL FABRIC FOR GROUND STABILIZATION	SQ YD	420	270	150	
21400100	GRADING AND SHAPING DITCHES	FOOT	182	60	60	62
25000200	SEEDING, CLASS 2	ACRES	0.7	0.38	0.22	0.1
25000400	NITROGEN FERTILIZER NUTRIENT	POUNDS	63	35	19	9
25000500	PHOSPHORUS FERTILIZER NUTRIENT	POUNDS	63	35	19	9
25000600	POTASSIUM FERTILIZER NUTRIENT	POUNDS	63	35	19	9
25000700	AGRICULTURAL GROUND LIMESTONE	TON	1.4	0.66	0.32	0.4
25100115	MULCH, METHOD 2	ACRES	0.7	0.38	0.22	0.1
28000305	TEMPORARY DITCH CHECKS	FOOT	6			6
28000400	PERIMETER EROSION BARRIER	FOOT	600	600		
28000500	INLET AND PIPE PROTECTION	EACH	23	9	11	3
28100805	STONE DUMPED RIPRAP CLASS A-3	TON	5	5		
31100300	SUB-BASE GRANULAR MATERIAL, TYPE A 4"	SQ YD	4389	2486	1903	
40200500	AGGREGATE SURFACE COURSE, TYPE A 6"	SQ YD	320	58	117	145
40603315	HOT MIX ASPHALT SURFACE COURSE, MIX C, N 70	TON	39	26	13	
42300200	PORTLAND CEMENT CONCRETE DRIVEWAY PAVEMENT, 6"	SQ YD	194	99	95	
42400100	PORTLAND CEMENT CONCRETE SIDEWALK 4"	SQ FT	2765	1855	910	
42400800	DETECTABLE WARNINGS	SQ FT	50	40	10	
44000100	PAVEMENT REMOVAL	SQ YD	255	178	77	
44000200	DRIVEWAY PAVEMENT REMOVAL	SQ YD	55	9	46	
44213204	TIE BAR 3/4"	EACH	90	19	71	
50105200	PIPE CULVERT REMOVAL	FOOT	261	83	126	52
54215559	METAL END SECTION, 24"	EACH	1			1
54248510	CONCRETE COLLAR	CU YD	3.5	1.5	2	
550B0050	STORM SEWERS, TYPE 1, CLASS B, 12"	FOOT	234	116	118	
550B0120	STORM SEWERS, TYPE 1, CLASS B, 24"	FOOT	247		83	164
55100800	STORM SEWERS REMOVAL 16"	FOOT	142	142		
55101200	STORM SEWERS REMOVAL 24"	FOOT	10	10		
55106040	STORM SEWERS INSTALLATION 16"	FOOT	82	82		
60260100	INLET TO BE ADJUSTED	EACH	1	1		
60260400	INLET TO BE ADJUSTED WITH NEW TYPE 1 FRAME AND CLOSED LID	EACH	2	1	1	
60261100	INLET TO BE ADJUSTED WITH NEW TYPE 9 FRAME AND GRATE	EACH	1		1	
67000500	ENGINEER'S FIELD OFFICE, TYPE B	CAL MO	4			
67100100	MOBILIZATION	L SUM	1			
78004200	PREFORMED PLASTIC PAVEMENT & MARKING - TYPE B INLAID LETTERS & SYMBOLS	SQ FT	130	98.8	31.2	
* 78004210	PREFORMED PLASTIC PAVEMENT MARKING - TYPE B INLAID LINE 4"	FOOT	1713	1133	580	
* 78004250	PREFORMED PLASTIC PAVEMENT MARKING - TYPE B INLAID LINE 12"	FOOT	60	60		
* 78004280	PREFORMED PLASTIC PAVEMENT MARKING - TYPE B INLAID LINE 24"	FOOT	96	48	48	
* 78100100	RAISED REFLECTIVE PAVEMENT MARKER	EACH	40	23	17	
X6024242	INLETS, SPECIAL, NO. 1	EACH	11	6	4	1
X6024244	INLETS, SPECIAL, NO. 2	EACH	1		1	
X6024246	INLETS, SPECIAL, NO. 3	EACH	4	2		2
X6024248	INLETS, SPECIAL, NO. 4	EACH	4	1	3	
* X7830068	GROOVING FOR RECESSED PAVEMENT MARKING, LETTERS & SYMBOLS	SQ FT	130	98.8	31.2	
* X7830070	GROOVING FOR RECESSED PAVEMENT MARKING, 5"	FOOT	1713	1133	580	
* X7830078	GROOVING FOR RECESSED PAVEMENT MARKING, 13"	FOOT	60	60		
* X7830090	GROOVING FOR RECESSED PAVEMENT MARKING, 25"	FOOT	96	48	48	
X7010216	TRAFFIC CONTROL AND PROTECTION (SPECIAL)	L SUM	1			
LR420129	PORTLAND CEMENT CONCRETE PAVEMENT 8" (SPECIAL) WITH INTEGRAL CURB	SQ YD	3993	2380	1613	

* SPECIALTY ITEMS

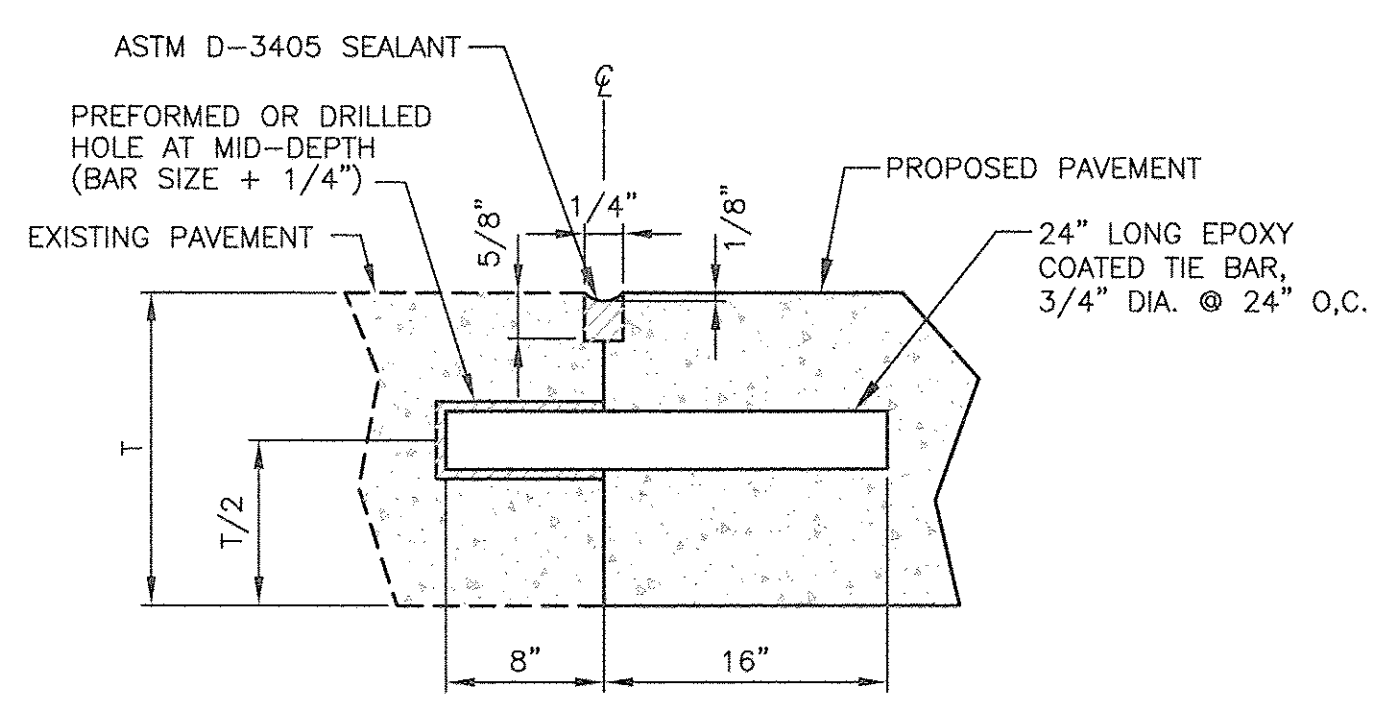
STATE OF ILLINOIS PROFESSIONAL DESIGN FIRM LICENSE NO. 184-004515	
REVISIONS	
DATE	NO.
1/24/17	1
2/24/17	2
3/13/17	3
 CLARIDA & ZIEGLER ENGINEERING CO. 410 North Court St, P.O. Box 937 Marion, Illinois 62959 Phone - (618)993-6411, Fax - (618)993-6750	
SUMMARY OF QUANTITIES, NOTES AND SCHEDULES	
N. RUSSELL ST. IMPROVEMENTS	
MARION, ILLINOIS	
Date	08/31/2015
DR. By	TW
CK'D By	HGC
Scale	NONE
Job No.	08167
Sheet No.	3 of 21



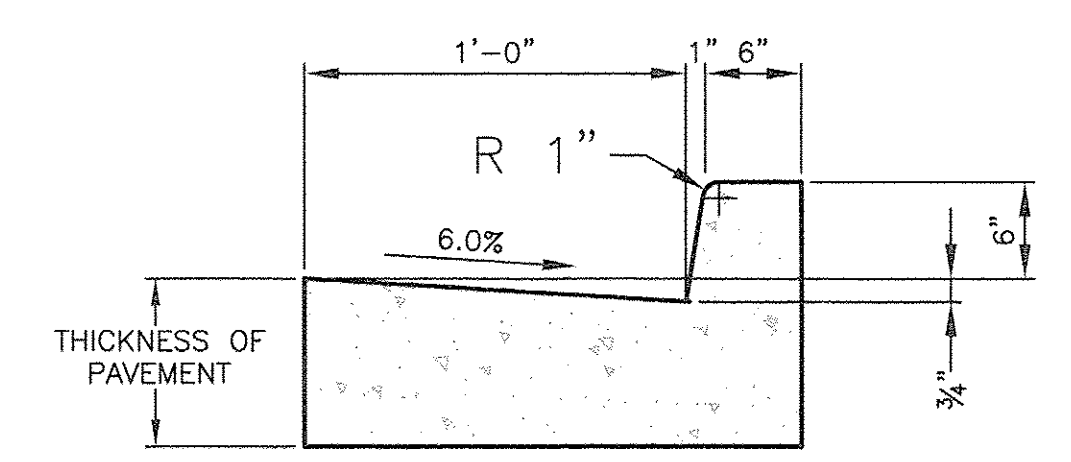
TYPICAL SECTION (PROPOSED PCC PAVEMENT (SPECIAL) 8")
STATION 5+38.73 TO 12+92.04



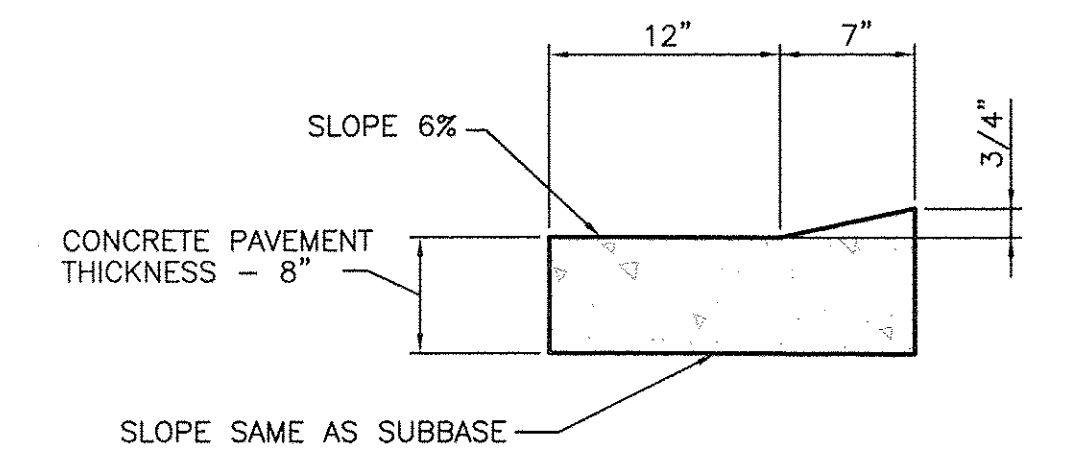
TYPICAL CENTERLINE PROFILE (PROPOSED TRANSITION TO EXISTING PAVEMENT)
MACK ST. AND SCOTTSBORO ROAD



ROUTED-IN-PLACE TIE BAR
 TO BE CONSTRUCTED IN ACCORDANCE WITH ARTICLE 442.06(a)(2) OF THE STANDARD SPECIFICATIONS.

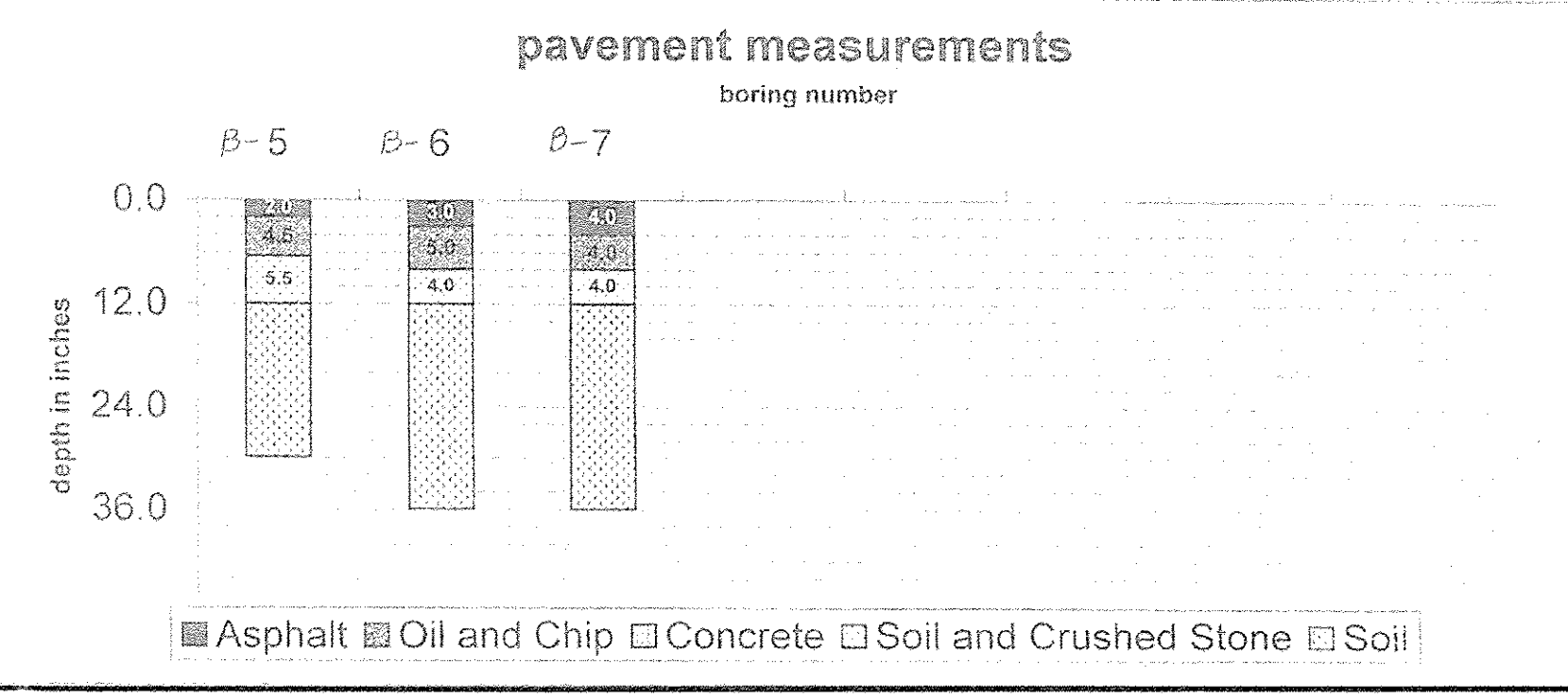


CCC&G B-6.12 SPECIAL



DEPRESSED CURB DETAIL TYPE B-6.12

Boring Location (Offset)	Asphalt Thickness (in.)	Oil & Chip Thickness (in.)	Concrete Thickness (in.)	Crushed Stone and CLAY (in.)	Soil Description	Soil Data N	Soil Data QU	Soil Data MC
B-5	2.0	4.5		5.5	Gray-Brown Silty CLAY (CL)	17	3.2	16
B-6	3.0	5.0		4.0	Gray Silty CLAY (CL)	9	1.4	27
B-7	4.0	4.0		4.0	Gray-Brown Sandy CLAY (CL)	9	3.1	25



STATE OF ILLINOIS PROFESSIONAL DESIGN FIRM LICENSE NO. 184-004515

© 2015 ALL RIGHTS RESERVED

CLARIDA & ZIEGLER ENGINEERING CO.
 410 North Court St, P.O. Box 937
 Marion, Illinois 62959
 Phone - (618)993-6411, Fax - (618)993-6750

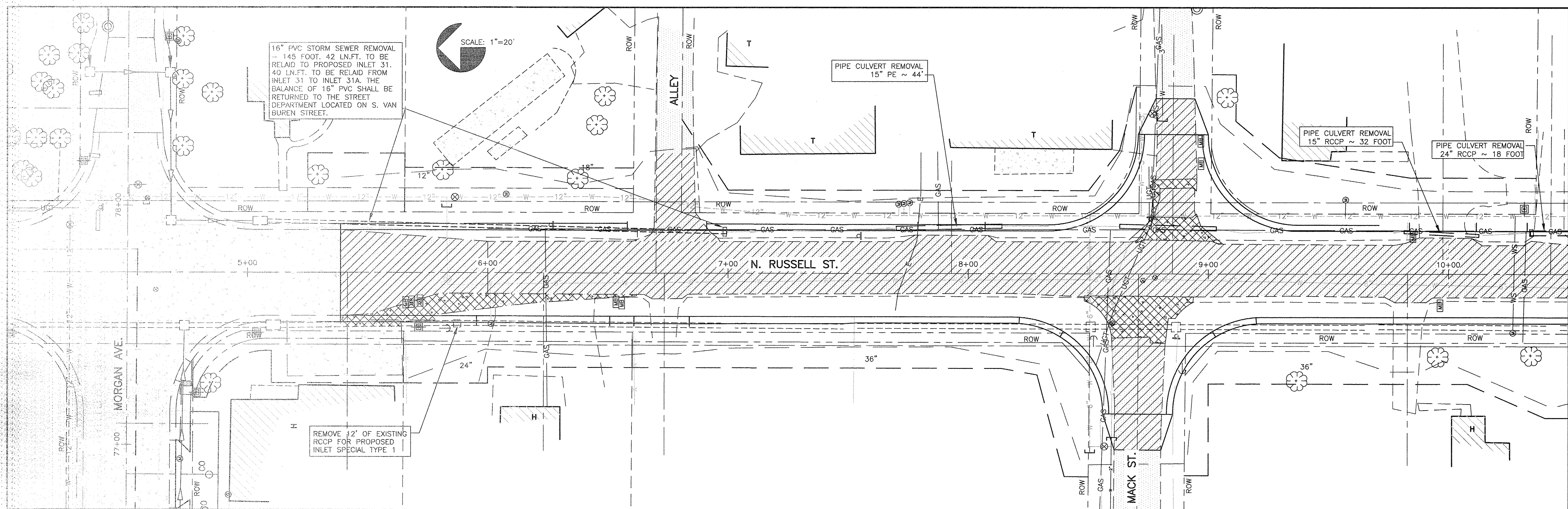
TYPICAL SECTIONS
 N. RUSSELL ST. IMPROVEMENTS
 MARION, ILLINOIS

REVISIONS	DATE	NO.

Date 8/31/2015 DR. By TW CK'D By HCC
 Scale NONE Job No. 08167 Sheet No. 04 of 21

ROUTE NO.	SECTION	COUNTY	TOTAL SHEETS	SHEET NO.
F.A.U. 9636	14-00106-01-FP	WILLIAMSON	21	06
ILLINOIS		N. RUSSELL ST.		

CONTRACT NO 99579



MATCHLINE STATION 10+50

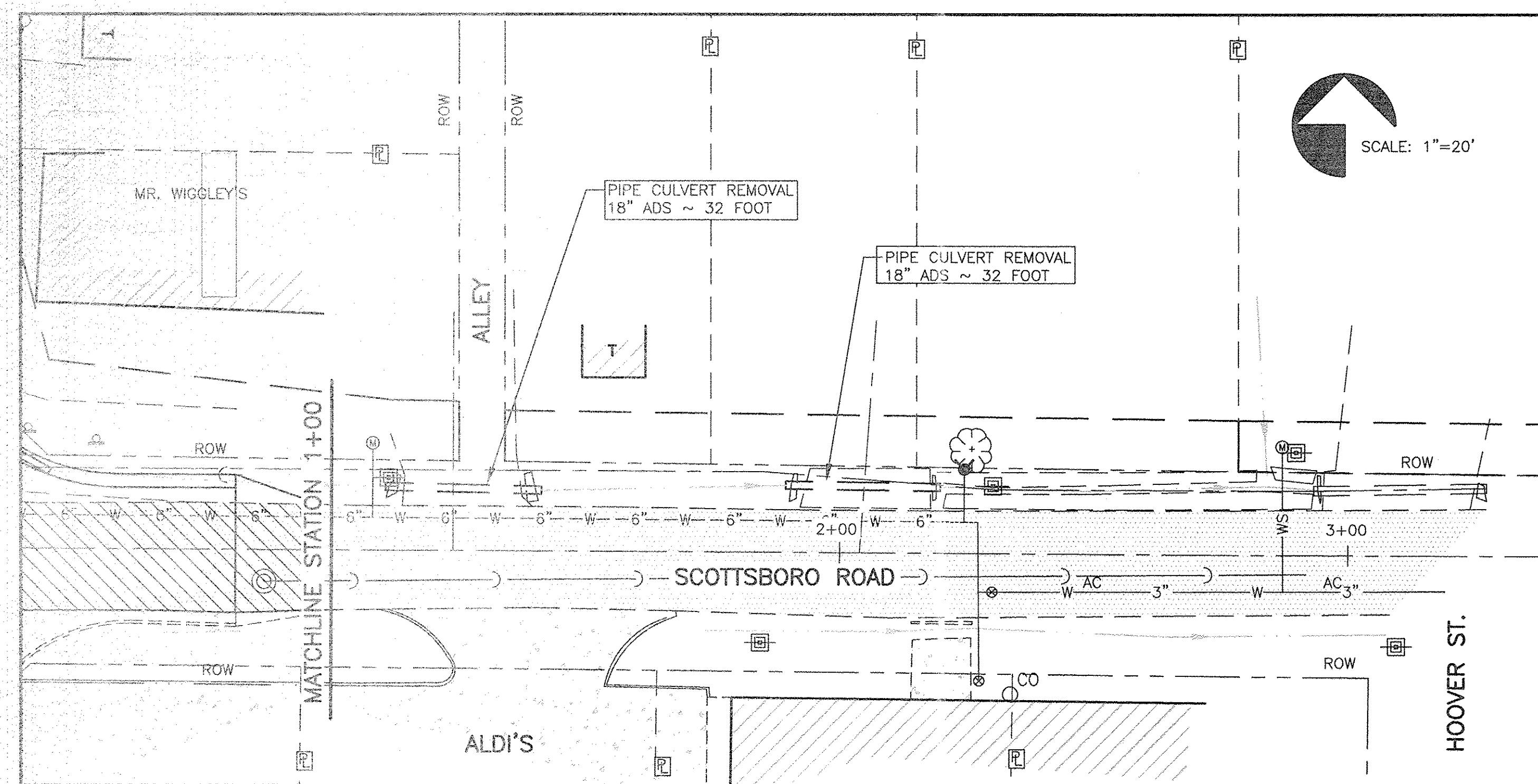
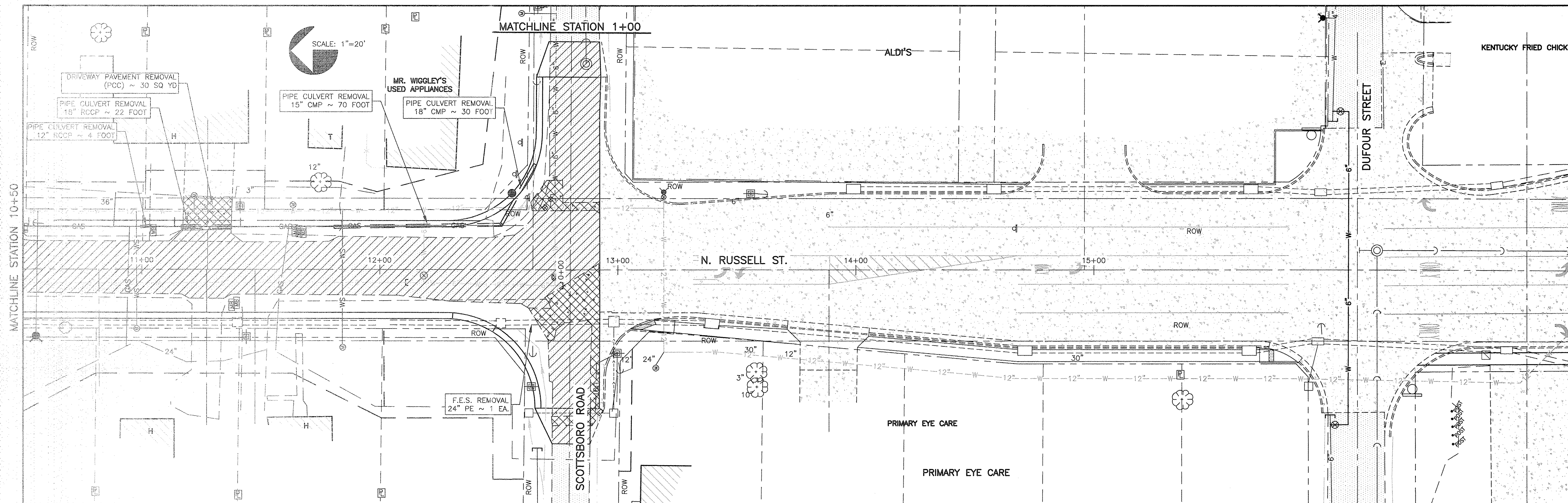
LEGEND	
	CONCRETE PAVEMENT REMOVAL
	HMA PAVEMENT REMOVAL

*NOTE: ALL REMOVAL FOR BITUMINOUS CONCRETE & GRAVEL DRIVEWAYS SHALL BE PAID FOR AS EARTH EXCAVATION.

STATE OF ILLINOIS PROFESSIONAL DESIGN FIRM LICENSE NO. 184-004515	
© 2015 ALL RIGHTS RESERVED	
CLARIDA & ZIEGLER ENGINEERING CO.	
410 North Court St, P.O. Box 937 Marion, Illinois 62959 Phone - (618)993-6411, Fax - (618)993-6750	
REMOVALS N. RUSSELL ST. IMPROVEMENTS MARION, ILLINOIS	
Date	DR. By
08/31/2015	TWW
CK'D By	HGC
Scale	Job No.
1"=20'	08167
Sheet No.	6 of 21

ROUTE NO.	SECTION	COUNTY	TOTAL SHEETS	SHEET NO.
F.A.U. 9636	14-00106-01-FP	WILLIAMSON	21	8
ILLINOIS		N. RUSSELL ST.		

CONTRACT NO 99579



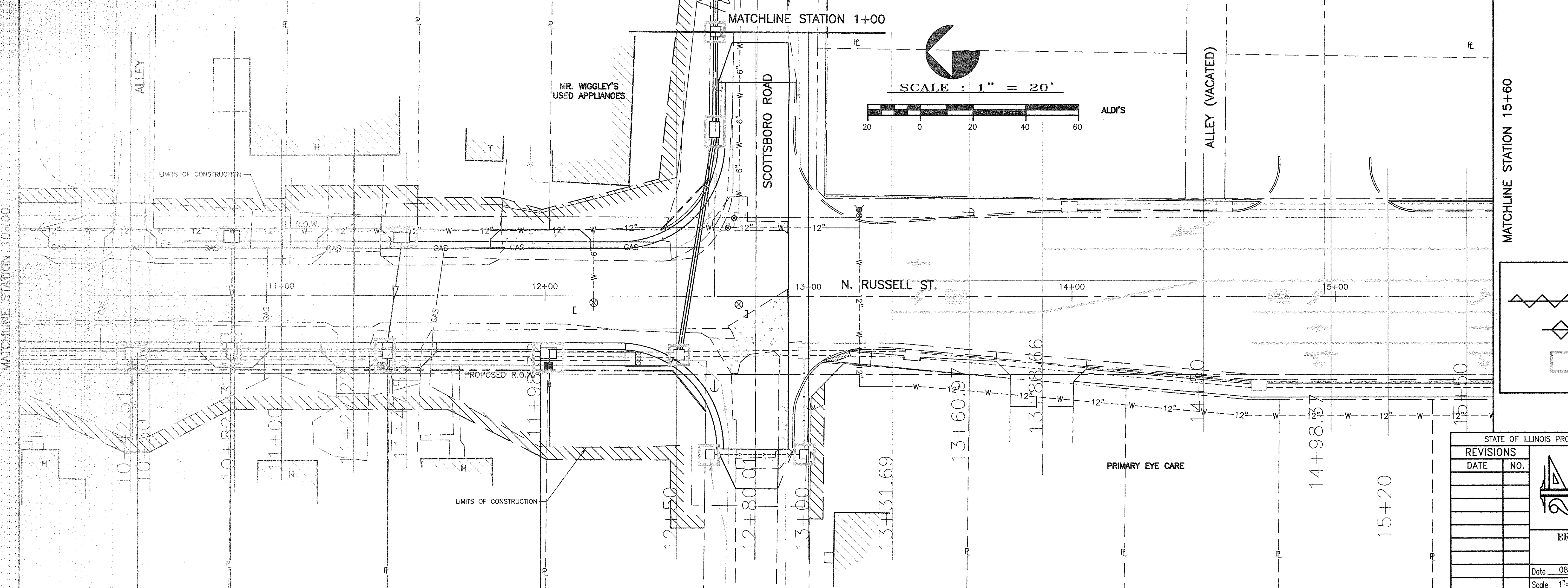
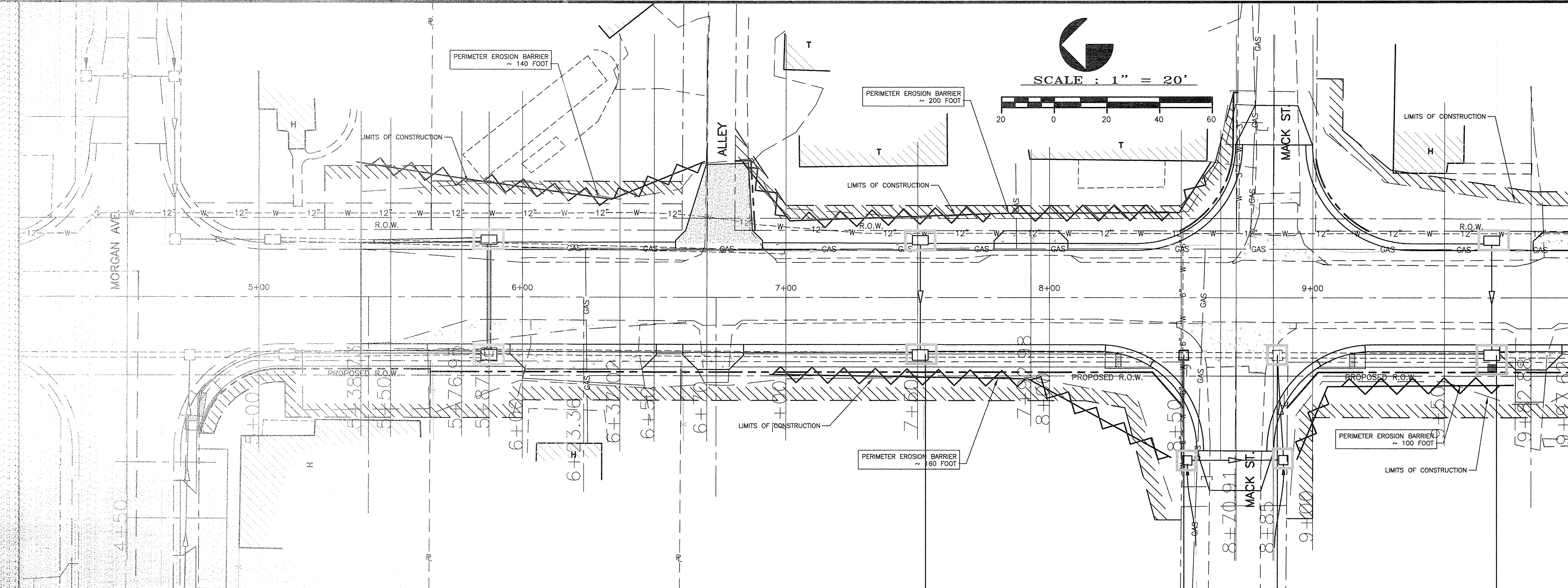
*NOTE: ALL REMOVAL FOR BITUMINOUS CONCRETE & GRAVEL DRIVEWAYS SHALL BE PAID FOR AS EARTH EXCAVATION.

LEGEND	
	CONCRETE PAVEMENT REMOVAL
	HMA PAVEMENT REMOVAL

STATE OF ILLINOIS PROFESSIONAL DESIGN FIRM LICENSE NO. 184-004515	
© 2015 ALL RIGHTS RESERVED	
CLARIDA & ZIEGLER ENGINEERING CO. 410 North Court St, P.O. Box 937 Marion, Illinois 62959 Phone - (618)993-6411, Fax - (618)993-6750	
REMOVALS N. RUSSELL ST. IMPROVEMENTS MARION, ILLINOIS	
Date 08/31/2015	DR. By TWW CK'D By HGC
Scale 1"=20'	Job No. 08167 Sheet No. 7 of 21

CONTRACT NO. 99579

MATCHLINE STATION 10+00



LEGEND	
	PERIMETER EROSION BARRIER
	TEMPORARY DITCH CHECK
	INLET AND PIPE PROTECTION

STATE OF ILLINOIS PROFESSIONAL DESIGN FIRM LICENSE NO. 184-004515

REVISIONS	
DATE	NO.

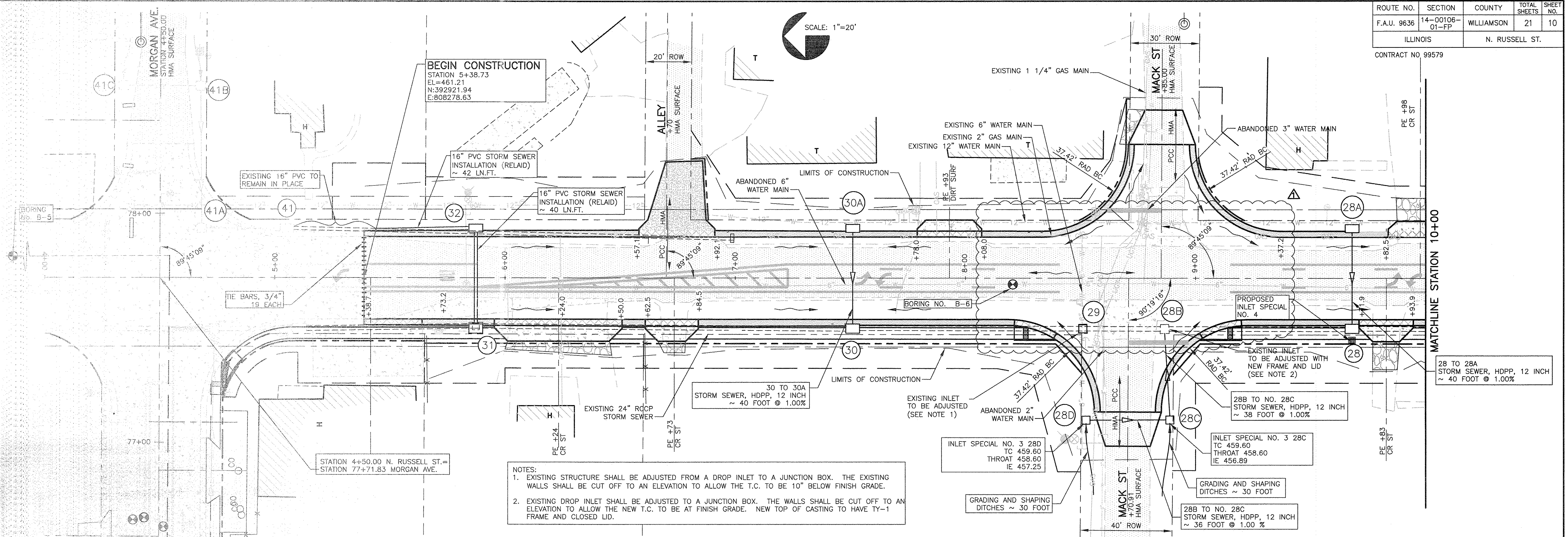
CLARIDA & ZIEGLER ENGINEERING CO.
 410 North Court St, P.O. Box 937
 Marion, Illinois 62959
 Phone - (618)993-6411, Fax - (618)993-6750

EROSION AND SEDIMENT CONTROL PLAN
 N. RUSSELL ST. IMPROVEMENTS
 MARION, ILLINOIS

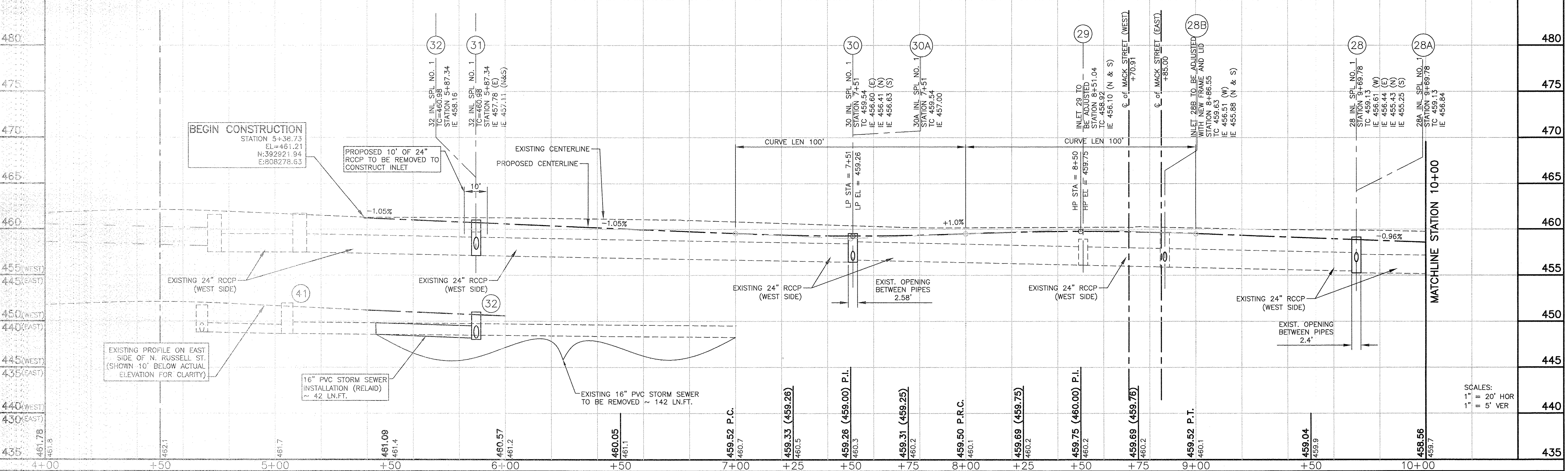
Date 08/31/2015 DR. By TW CK'D By HGC
 Scale 1"=20' Job No. 08167 Sheet No. 8 of 21

CONTRACT NO 99579

SCALE: 1"=20'



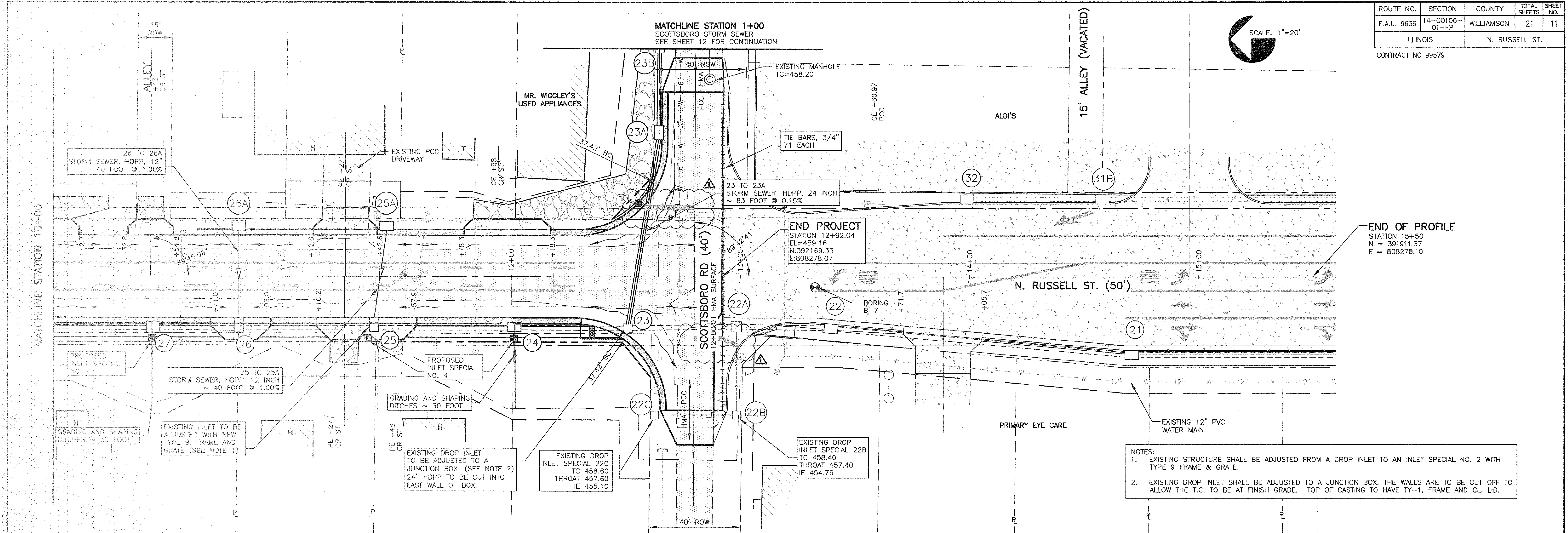
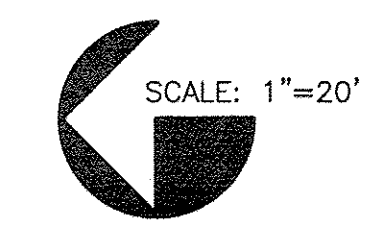
- NOTES:
- EXISTING STRUCTURE SHALL BE ADJUSTED FROM A DROP INLET TO A JUNCTION BOX. THE EXISTING WALLS SHALL BE CUT OFF TO AN ELEVATION TO ALLOW THE T.C. TO BE 10" BELOW FINISH GRADE.
 - EXISTING DROP INLET SHALL BE ADJUSTED TO A JUNCTION BOX. THE WALLS SHALL BE CUT OFF TO AN ELEVATION TO ALLOW THE NEW T.C. TO BE AT FINISH GRADE. NEW TOP OF CASTING TO HAVE TY-1 FRAME AND CLOSED LID.



N. RUSSELL ST. IMPROVEMENTS - PLAN AND PROFILE STATION 4+00 TO 10+00

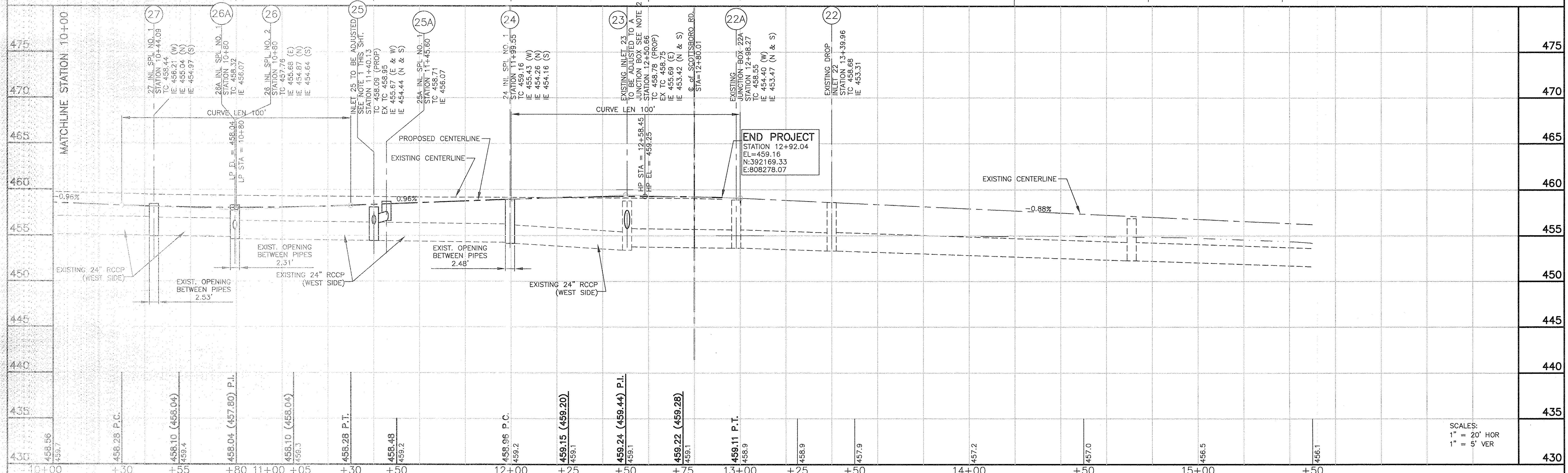
ROUTE NO.	SECTION	COUNTY	TOTAL SHEETS	SHEET NO.
F.A.U. 9636	14-00106-01-FP	WILLIAMSON	21	11
ILLINOIS		N. RUSSELL ST.		

CONTRACT NO 99579



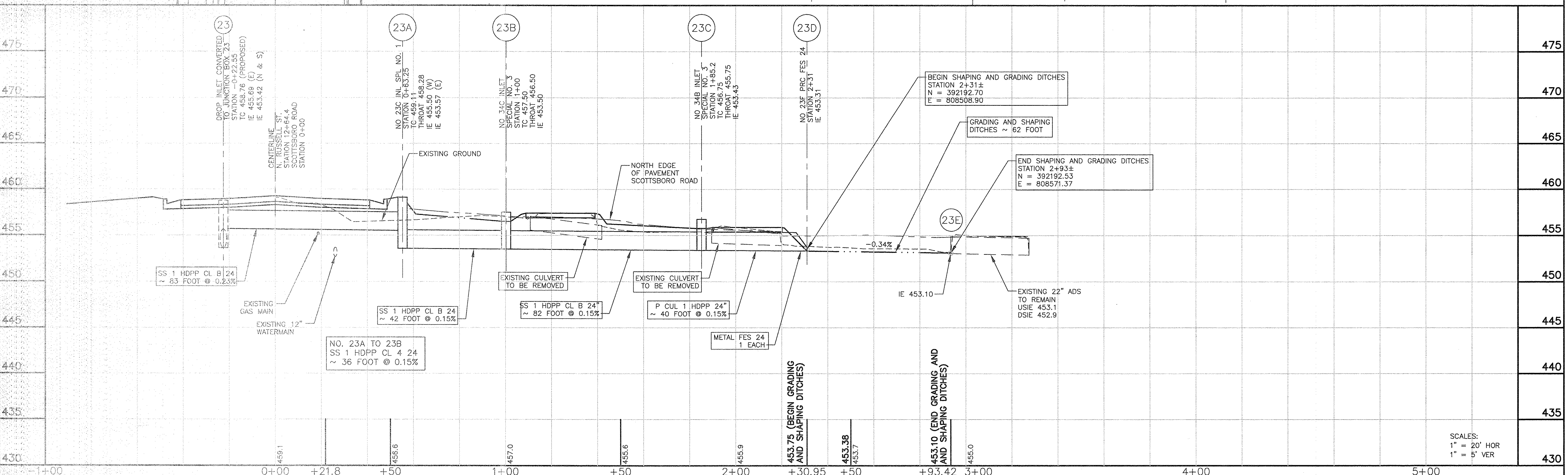
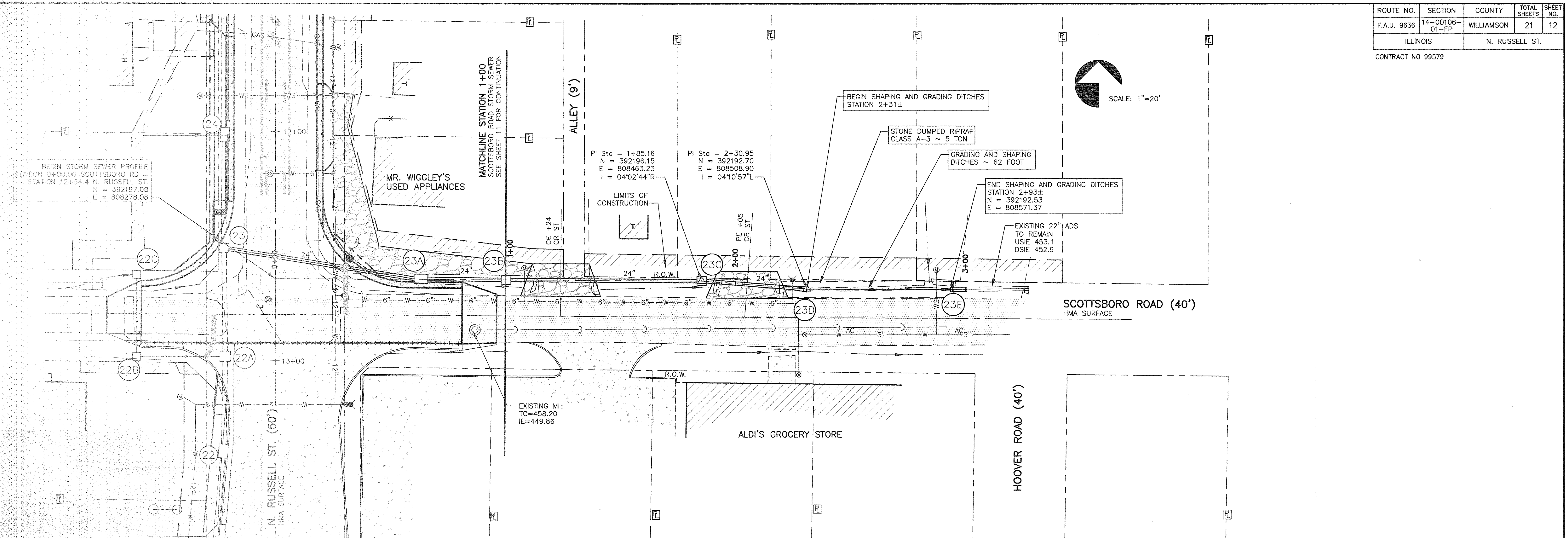
END OF PROFILE
STATION 15+50
N = 391911.37
E = 808278.10

- NOTES:
- EXISTING STRUCTURE SHALL BE ADJUSTED FROM A DROP INLET TO AN INLET SPECIAL NO. 2 WITH TYPE 9 FRAME & GRATE.
 - EXISTING DROP INLET SHALL BE ADJUSTED TO A JUNCTION BOX. THE WALLS ARE TO BE CUT OFF TO ALLOW THE T.C. TO BE AT FINISH GRADE. TOP OF CASTING TO HAVE TY-1, FRAME AND CL. LID.



SCALES:
1" = 20' HOR
1" = 5' VER

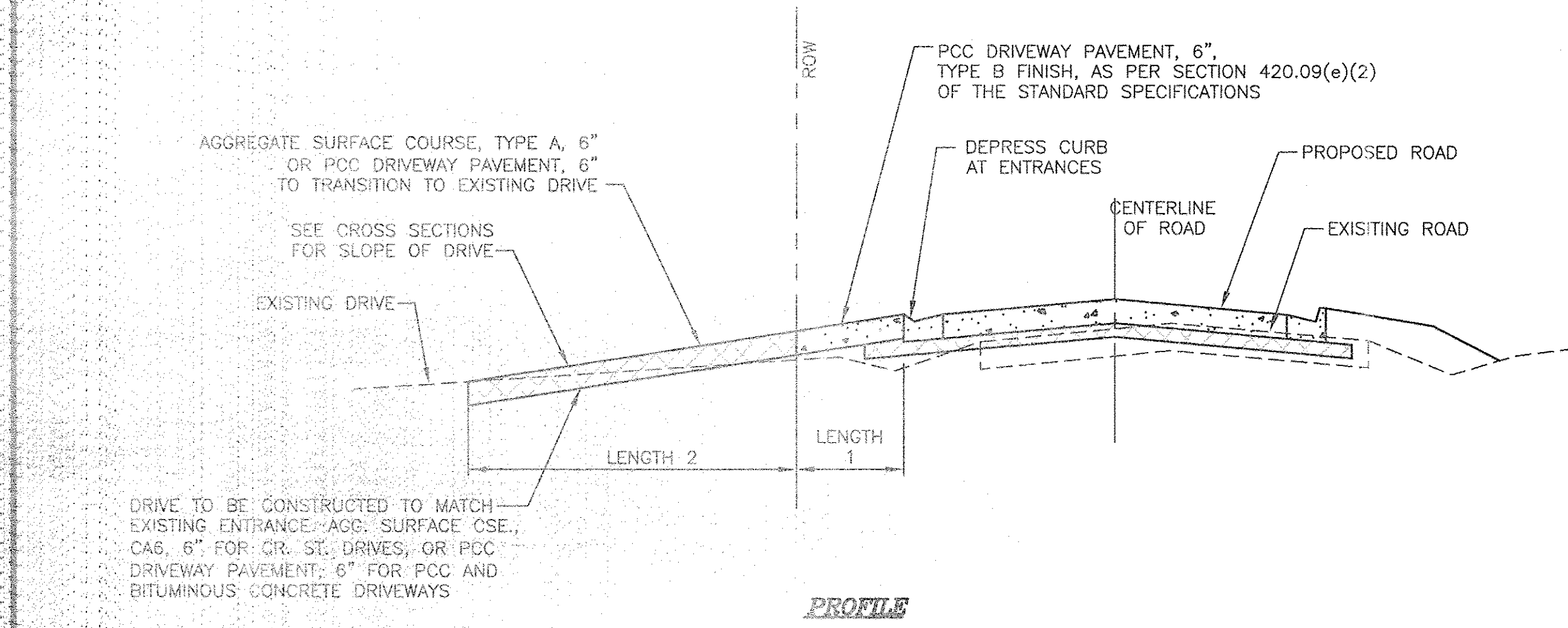
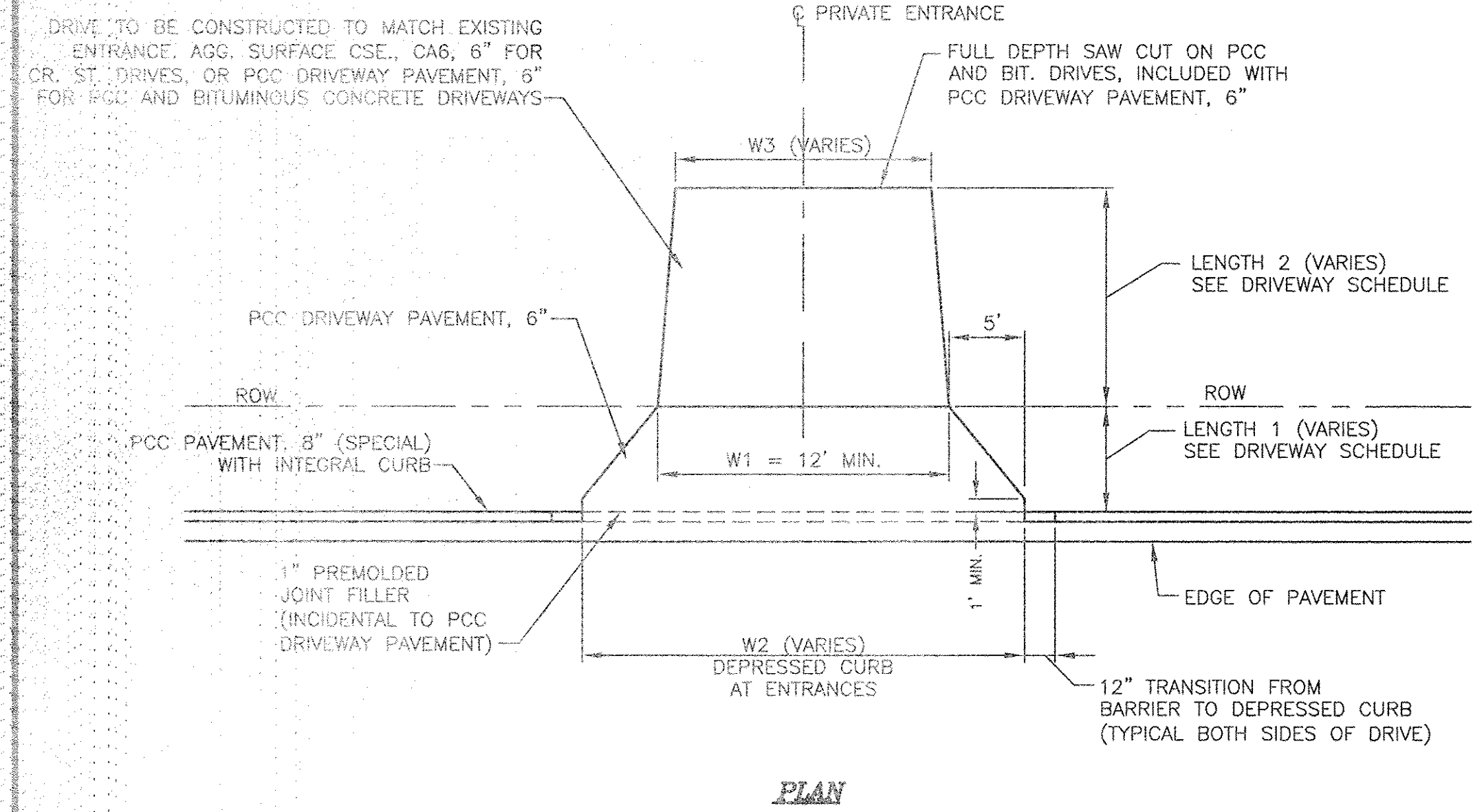
ROUTE NO.	SECTION	COUNTY	TOTAL SHEETS	SHEET NO.
F.A.U. 9636	14-00106-01-FP	WILLIAMSON	21	12
ILLINOIS		N. RUSSELL ST.		
CONTRACT NO 99579				



N. RUSSELL ST. IMPROVEMENTS - SCOTTSBORO ROAD STORM SEWER PLAN AND PROFILE

SCALES:
1" = 20' HOR
1" = 5' VER

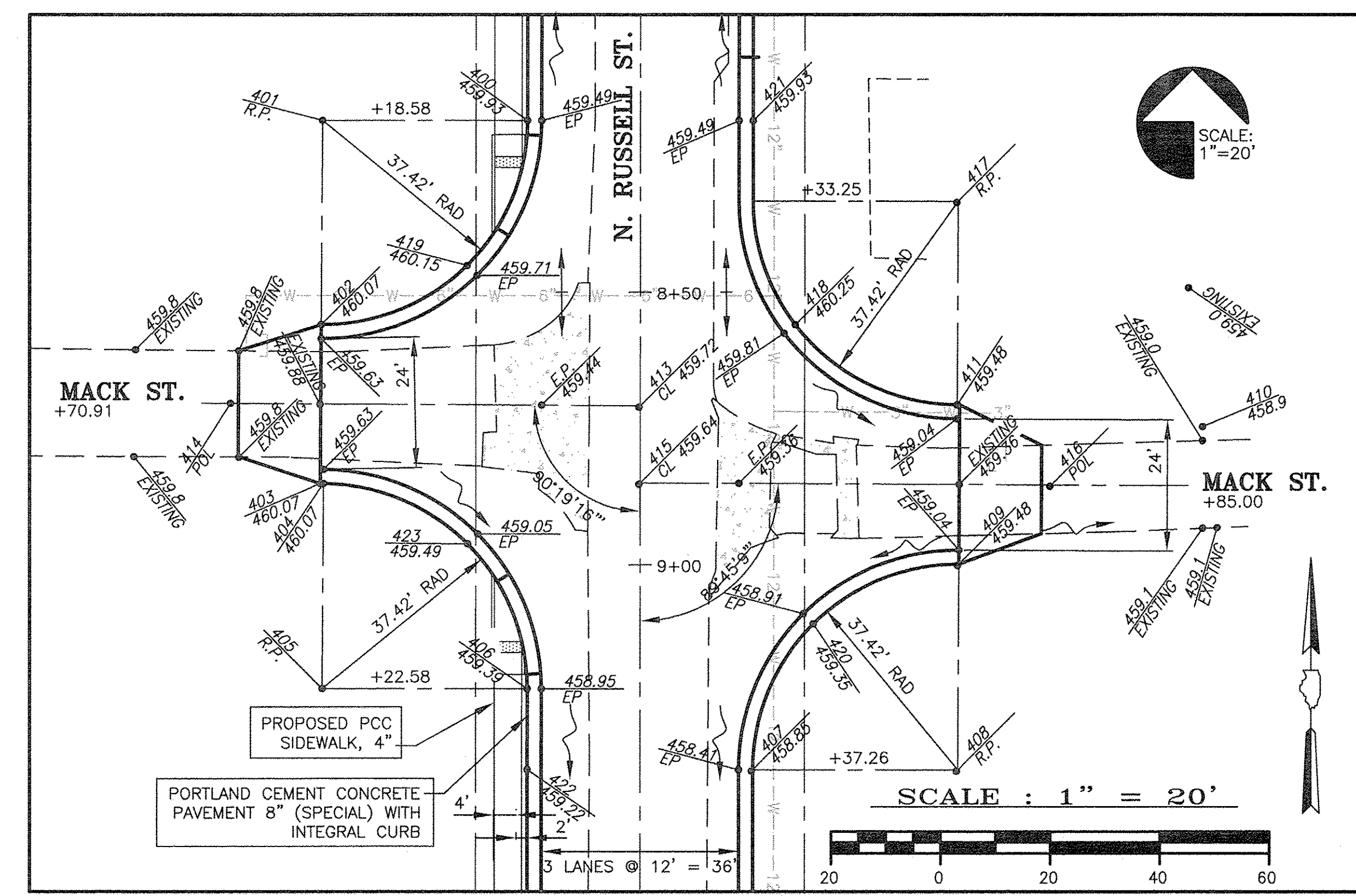
CONTRACT NO. 99579



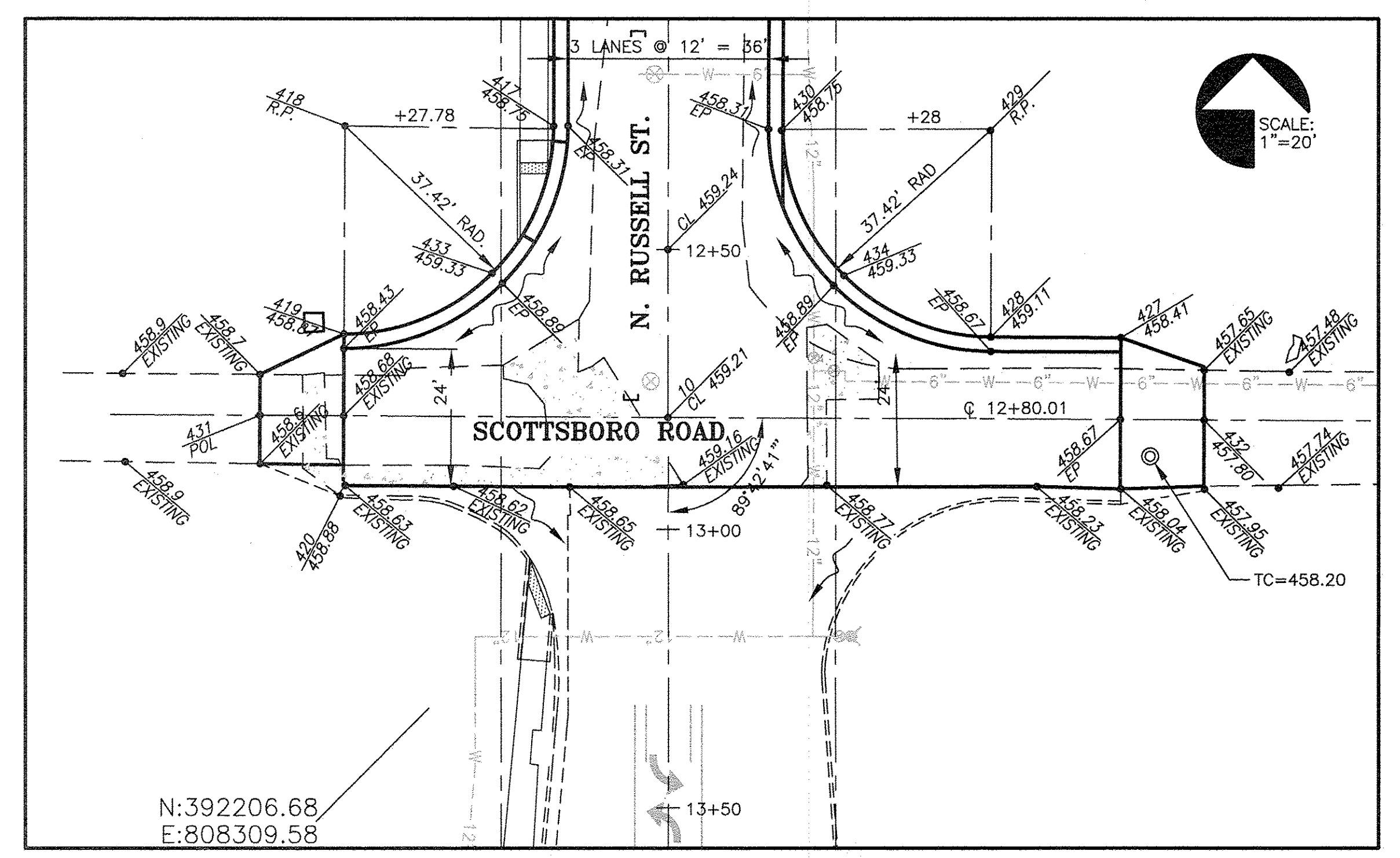
PRIVATE ENTRANCE DETAIL

ENTRANCE QUANTITIES

STA	TYPE	EXISTING SURFACE	WIDTH 1 (FT)	WIDTH 2 (FT)	WIDTH 3 (FT)	LENGTH 1 (FT)	LENGTH 2 (FT)	DRIVEWAY PAVEMENT REMOVAL (SY)	AGG. SURFACE COURSE CA-6, 6" (TON)	PCC DRIVEWAY PAVEMENT 6" (SY)
06+22	PE RT	CR STONE	44.1	55.4	46.4	6.7	4.8		9	38
06+70	ALLEY LT	ASPHALT	25.2	33.0	15.0	4.7	25.6			75
06+73	PE RT	CR STONE	12.0	23.0	9.1	8.6	4.9		2	14
07+93	PE LT	DIRT	20.3	28.0	0	4.8	0		0	14
8+70	PE RT	CR STONE	15.7	17.1	0	5.6	NA		4	
09+83	PE RT	CR STONE	11.7	23.6	10.8	7.0	12.2		5	15
09+95	PE LT	CR STONE	20.1	27.9	36.9	4.4	10.0		13	13
10+43	ALLEY LT	CR STONE	12.0	19.0	11.0	4.4	10.0		5	9
10+82	PE RT	DIRT	14.3	25.6	NA	7.0	NA		5	17
11+27	PE LT	PCC	20.0	27.7	20.4	4.4	5.0	30		24
11+27	PE RT	CR STONE	12.4	18.4	12.2	7.0	10.0		5	15
11+48	PE RT	CR STONE	12.0	19.0	10.4	7.0	5.4		2	15
11+58	CE LT	CR STONE	29.8	37.8	NA	4.6	NA		54	18
01+24 SCOTTSBORO RD.	CE	CR STONE	24.7	34.7	NA	14.3	NA		16	
02+05 SCOTTSBORO RD.	PE	CR STONE	25.8	35.9	NA	11.7	NA		14	



NO.	STATION	OFFSET	NORTHING	EASTING
400	8+18.58	20.58 R	392642.80	808257.81
401	8+18.58	58.00 R	392642.83	808220.39
402	8+56.00	58.21 R	392605.41	808220.16
403	8+85.16	58.37 R	392576.25	808219.97
404	8+85.16	57.79 R	392576.24	808220.56
405	9+22.58	58.00 R	392538.83	808220.32
406	9+22.58	20.58 L	392538.80	808257.74
407	9+37.26	20.58 L	392524.10	808298.89
408	9+37.26	58.00 L	392524.07	808336.31
409	8+99.84	58.16 L	392561.49	808336.50
410	8+74.63	102.66 L	392586.67	808381.01
411	8+70.67	57.84 L	392590.65	808336.19
412	8+33.25	20.58 L	392628.10	808298.96
413	8+70.91	0.00 L	392590.46	808278.36
414	8+70.49	74.75 R	392590.93	808203.81
415	8+85.00	0.00 L	392576.36	808278.35
416	8+85.33	75.00 L	392575.99	808353.35
417	8+33.25	58.00 L	392628.07	808336.38
418	8+55.98	28.27 L	392605.36	808306.64
419	8+45.12	31.61 L	392616.27	808246.76
420	9+10.74	31.60 R	392550.61	808309.93
421	8+18.58	20.58 R	392642.77	808298.97
422	9+37.26	20.58 L	392524.13	808257.73
423	8+96.20	31.47 L	392565.19	808246.87



NO.	STATION	OFFSET	NORTHING	EASTING
10	12+80.01	0.00 L	392181.36	808278.07
417	12+27.78	20.58 R	392233.60	808257.53
418	12+27.78	58.00 R	392233.63	808220.11
419	12+65.20	58.16 R	392196.21	808219.92
420	12+94.27	58.30 R	392167.09	808219.77
427	12+65.71	66.25 L	392195.53	808395.28
428	12+65.68	57.84 L	392195.65	808335.92
429	12+28.28	58.00 L	392233.05	808336.10
430	12+28.28	20.58 L	392233.07	808298.68
431	12+80.01	73.23 R	392181.73	808204.84
432	12+80.01	96.12 L	392180.88	808374.19
433	12+54.30	31.60 R	392207.09	808246.49
434	12+54.67	31.49 L	392206.68	808309.58

NOTE: UNLESS OTHERWISE NOTED, COORDINATE POINTS AND ELEVATIONS ARE TO BACK OF CURB.

STATE OF ILLINOIS PROFESSIONAL DESIGN FIRM LICENSE NO. 184-004515

© 2015 ALL RIGHTS RESERVED

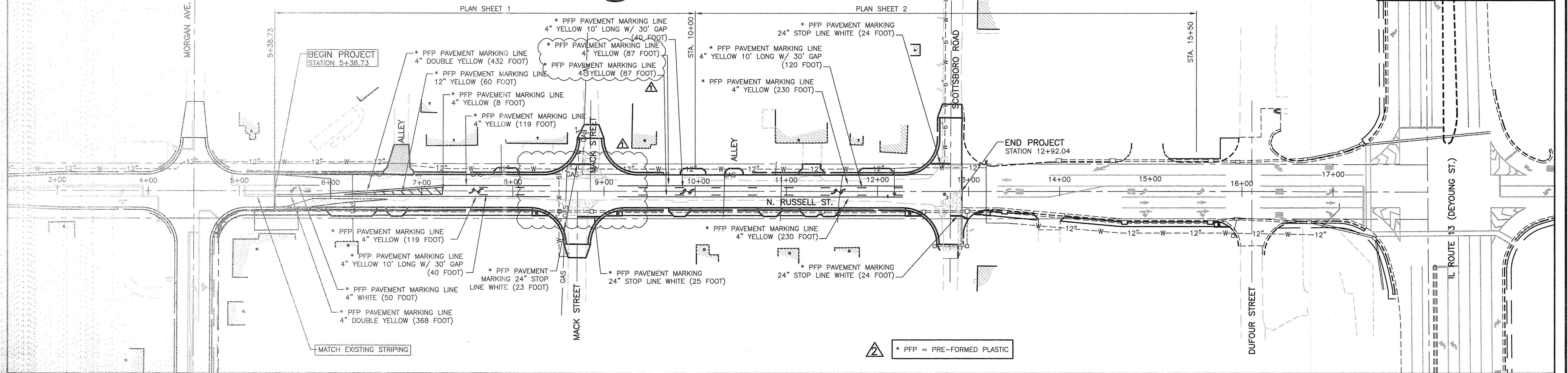
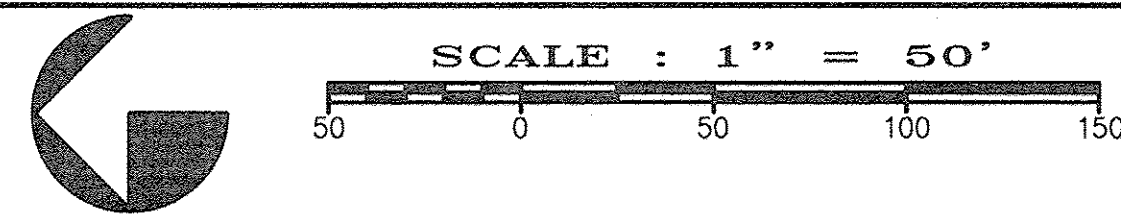
CLARIDA & ZIEGLER ENGINEERING CO.

410 North Court St, P.O. Box 937
Marion, Illinois 62959
Phone - (618)993-6411, Fax - (618)993-6750

INTERSECTION & ENTRANCE DETAILS
N. RUSSELL ST.
MARION, ILLINOIS

Date: 08/31/2015 DR. By: TWW CK'D By: SDD
Scale: 1"=20' Job No. 08167 Sheet No. 13 of 21

ROUTE NO.	SECTION	COUNTY	TOTAL SHEETS	SHEET NO.
F.A.U. 9636	14-00106-01-FP	WILLIAMSON	21	14
ILLINOIS		N. RUSSELL ST.		
CONTRACT NO 99579				



* PFP = PRE-FORMED PLASTIC

PREFORMED PLASTIC PAVEMENT MARKING TYP. B - INLAID

LINE WIDTH	TOTALS	
	YELLOW	WHITE
4"	1713	50
12"	60	
24"		96

PREFORMED PLASTIC PAVEMENT MARKING, TYP. B, SYMBOLS AND LETTERS

LOCATION	DESCRIPTION	TOTAL SQ. FT.
05+60	LEFT TURN ARROW	15.6
05+75	"ONLY"	11.8
7+60	LEFT & RIGHT TURN ARROWS	26.0
9+90	LEFT & RIGHT TURN ARROWS	26.0
11+57	LEFT & RIGHT TURN ARROWS	26.0

STATE OF ILLINOIS PROFESSIONAL DESIGN FIRM LICENSE NO. 184-004515

© 2016 ALL RIGHTS RESERVED

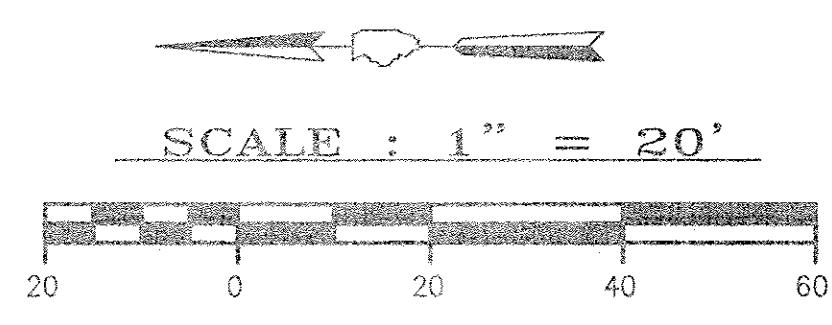
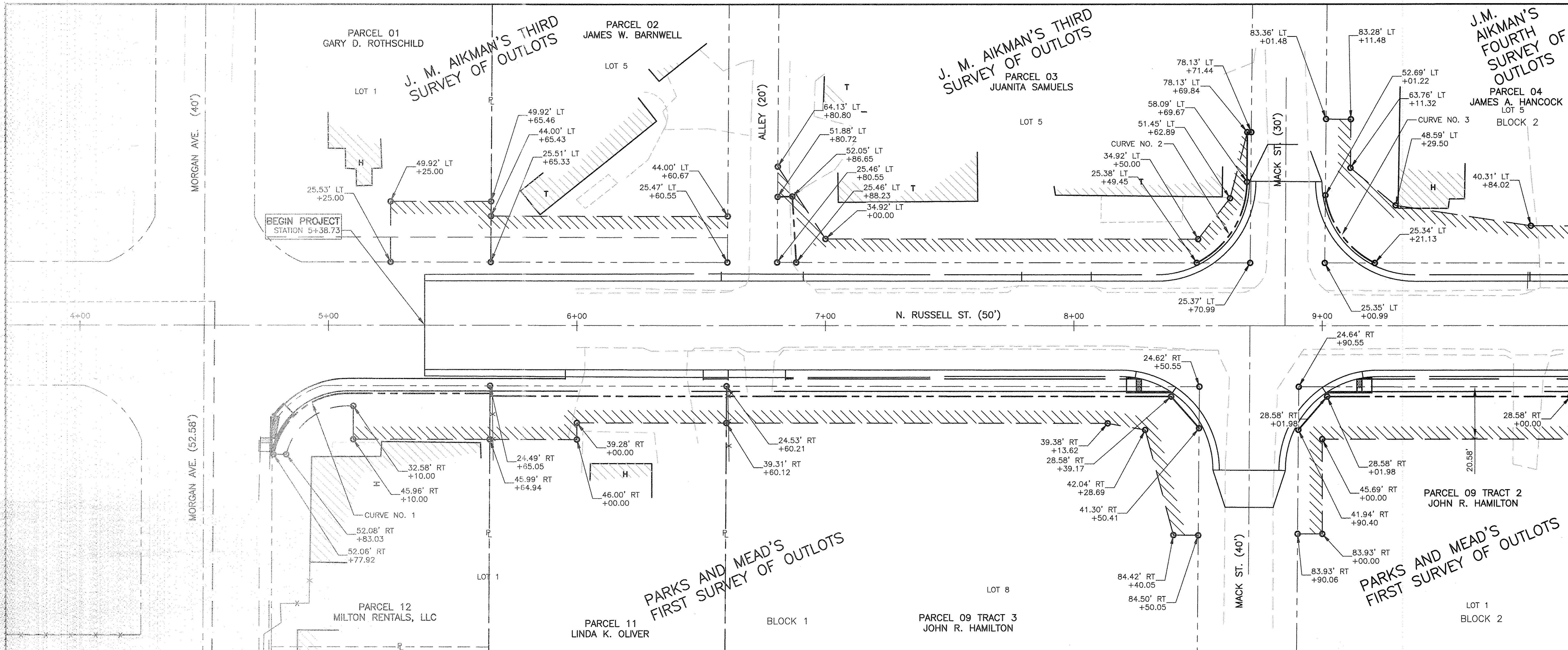
CLARIDA & ZIEGLER ENGINEERING CO.
 410 North Court St, P.O. Box 937
 Marion, Illinois 62959
 Phone - (618)993-6411, Fax - (618)993-6750

**PAVEMENT MARKING PLAN
 RUSSELL STREET
 MARION, ILLINOIS**

REVISIONS	DATE	NO.	DR. BY	CK'D BY
	08/31/2015		TDE	WBZ
	1/24/17			
	2/24/17			

Date: 08/31/2015 DR. By: TDE CK'D By: WBZ
 Scale: 1"=50' Job No. 08167 Sheet No. 14 of 21

CONTRACT NO 99579



LEGEND	
	PROPOSED PERMANENT RIGHT-OF-WAY
	PROPOSED TEMPORARY CONSTRUCTION EASEMENT
	PROPOSED RIGHT-OF-WAY
	EXISTING RIGHT-OF-WAY
	PROPERTY LINE

PARCEL NO.	OWNER	DEED NO.	TAX ID NO.	GRADING EASEMENT	RIGHT-OF-WAY
1	GARY D. ROTHSCHILD	418/09	6-13-126-002	0.021 ACRE	NA
2	JAMES W. BARNWELL	403/06	6-13-126-001	0.042 ACRE	NA
3	JUANITA SAMUELS	419/416	6-13-126-013	0.049 ACRE	0.006 ACRE
4	JAMES A. HANCOCK	480/855	6-13-129-001	0.063 ACRE	0.004 ACRE
5	J. TRAVIS AND ANNE M. EMERY	458/277	6-13-129-018	0.032 ACRE	NA
6	JAMES ALEXANDER AND MARY ELIZABETH SHANKS	458/610	6-13-129-016	0.071 ACRE	0.003 ACRE
9	JOHN R. HAMILTON	457/781 460/375 & 472/636	6-13-104-004(a) 6-13-104-001(b) 6-13-103-008(c)	0.081 ACRE 0.094 ACRE 0.062 ACRE	0.013 ACRE 0.019 ACRE 0.019 ACRE
10	JOHN R. HAMPTON	483/431	6-13-104-002	0.021 ACRE	0.005 ACRE
11	LINDA K. OLIVER	428/156	6-13-103-002	0.028 ACRE	0.009 ACRE
12	MILTON RENTALS, LLC	468/779	6-13-103-010	0.027 ACRE	NA
13	DAVID EDDS	INVENTORY 91-P-33	6-13-129-013 TO 015	0.032 ACRE	NA
14	RICHARD W. AND BRENDA J. MUSGRAVE	470/899	6-13-129-012	0.015 ACRE	NA

STATE OF ILLINOIS)
COUNTY OF WILLIAMSON)

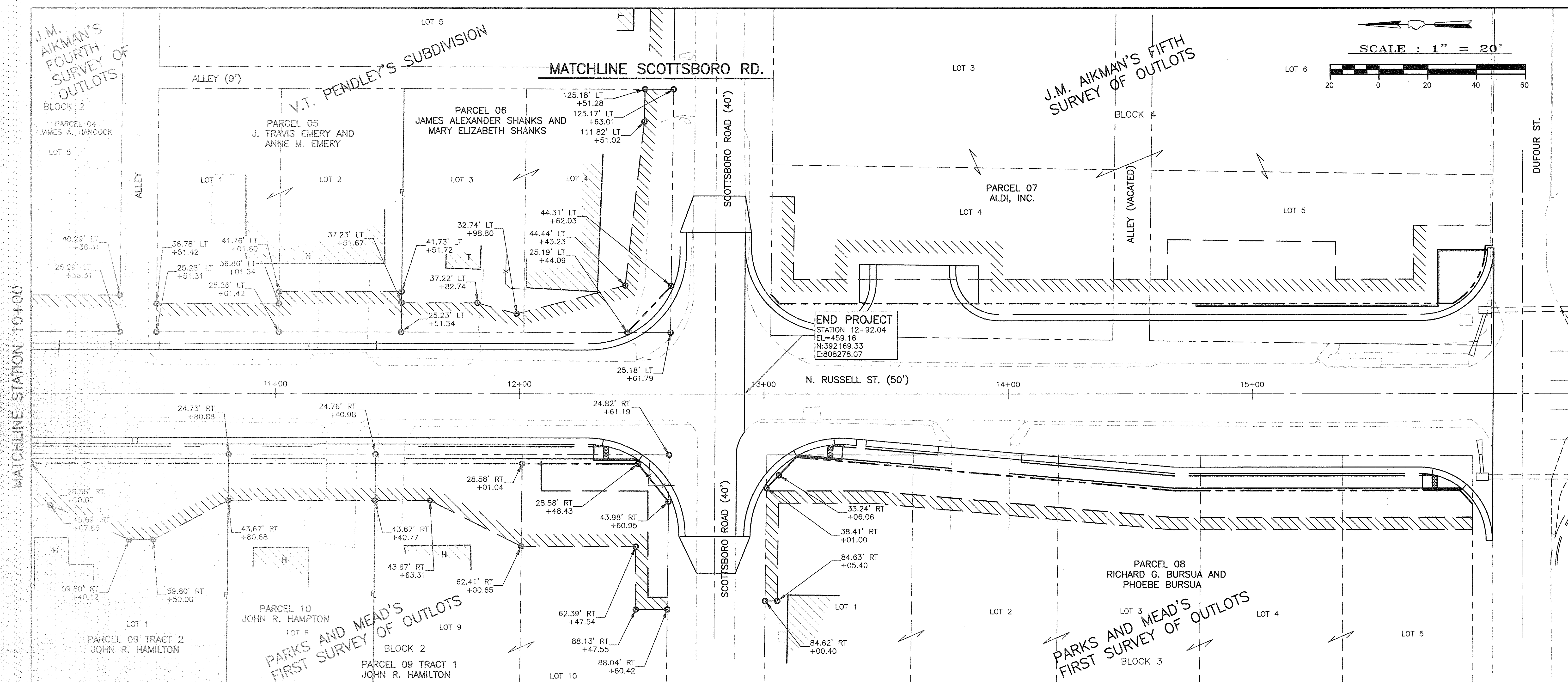
I, BRIAN P. PRICE, ILLINOIS PROFESSIONAL LAND SURVEYOR NO. 035-003816, DO HEREBY CERTIFY THAT AT THE REQUEST OF THE OFFICIALS OF THE CITY OF MARION, ILLINOIS, I HAVE CAUSED A SURVEY TO BE MADE OF PORTIONS OF N. RUSSELL STREET AND SCOTTSBORO ROAD LOCATED IN SECTION 13 IN TOWNSHIP 9 SOUTH, RANGE 2 EAST OF THE 3rd PRINCIPAL MERIDIAN IN WILLIAMSON COUNTY, ILLINOIS AND THAT THIS PLAT CORRECTLY DEPICTS A PART OF THAT SURVEY, INCLUDING CENTERLINE, RIGHT-OF-WAY WIDTHS, AND STATIONING TO THE BEST OF MY KNOWLEDGE AND BELIEF.

IN WITNESS THEREOF, I HAVE HEREUNTO SET MY HAND AND AFFIXED MY SEAL AT MARION, ILLINOIS THIS ____ DAY OF ____, 20__.

BRIAN P. PRICE, PLS #035-003816

EXPIRATION/RENEWAL DATE 11/30/2018

CONTRACT NO 99579



MATCHLINE STATION 10+00

NO.	OWNER	DEED NO.	TAX ID NO.	GRADING EASEMENT	RIGHT-OF-WAY
1	GARY D. ROTHSCHILD	418/09	6-13-126-002	0.021 ACRE	NA
2	JAMES W. BARNWELL	403/06	6-13-126-001	0.042 ACRE	NA
3	JUANITA SAMUELS	419/416	6-13-126-013	0.049 ACRE	0.006 ACRE
4	JAMES A. HANCOCK	460/855	6-13-129-001	0.063 ACRE	0.004 ACRE
5	J. TRAVIS AND ANNE M. EMERY	458/277	6-13-129-018	0.032 ACRE	NA
6	JAMES ALEXANDER AND MARY ELIZABETH SHANKS	458/610	6-13-129-016	0.071 ACRE	0.003 ACRE
9	JOHN R. HAMILTON	457/761	6-13-104-004(a)	0.081 ACRE	0.013 ACRE
		460/375	6-13-104-001(b)	0.094 ACRE	0.019 ACRE
		472/636	6-13-103-008(c)	0.062 ACRE	0.019 ACRE
10	EUNICE HAMPTON	483/431	6-13-104-002	0.021 ACRE	NA
11	LINDA R. OLIVER	428/156	6-13-103-002	0.028 ACRE	NA
12	MILTON RENTALS, LLC	468/779	6-13-103-010	0.027 ACRE	NA
13	MARTHA DAVIS, EXECUTRIX	INVENTORY	6-13-129-013	0.032 ACRE	NA
		91-P-33	TO 015		
14	RICHARD W. AND BRENDA J. MUSGRAVE	470/899	6-13-129-012	0.015 ACRE	NA

LEGEND	
	PROPOSED PERMANENT RIGHT-OF-WAY
	PROPOSED TEMPORARY CONSTRUCTION EASEMENT
	PROPOSED RIGHT-OF-WAY
	EXISTING RIGHT-OF-WAY
	PROPERTY LINE

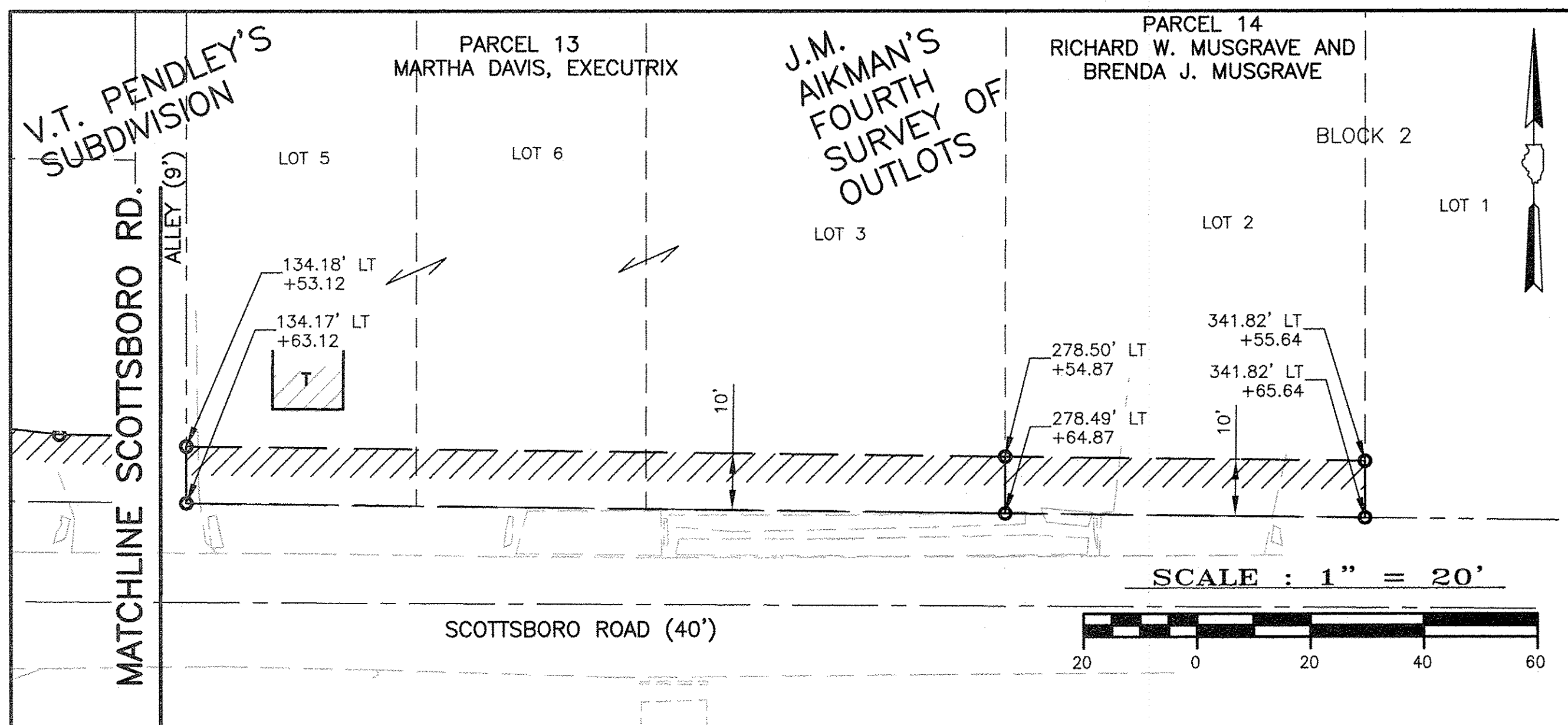
STATE OF ILLINOIS)
COUNTY OF WILLIAMSON)

I, BRIAN P. PRICE, ILLINOIS PROFESSIONAL LAND SURVEYOR NO. 035-003816, DO HEREBY CERTIFY THAT AT THE REQUEST OF THE OFFICIALS OF THE CITY OF MARION, ILLINOIS, I HAVE CAUSED A SURVEY TO BE MADE OF PORTIONS OF N. RUSSELL STREET AND SCOTTSBORO ROAD LOCATED IN SECTION 13 IN TOWNSHIP 9 SOUTH, RANGE 2 EAST OF THE 3rd PRINCIPAL MERIDIAN IN WILLIAMSON COUNTY, ILLINOIS AND THAT THIS PLAT CORRECTLY DEPICTS A PART OF THAT SURVEY, INCLUDING CENTERLINE, RIGHT-OF-WAY WIDTHS, AND STATIONING TO THE BEST OF MY KNOWLEDGE AND BELIEF.

IN WITNESS THEREOF, I HAVE HEREUNTO SET MY HAND AND AFFIXED MY SEAL AT MARION, ILLINOIS THIS ___ DAY OF ___, 20__.

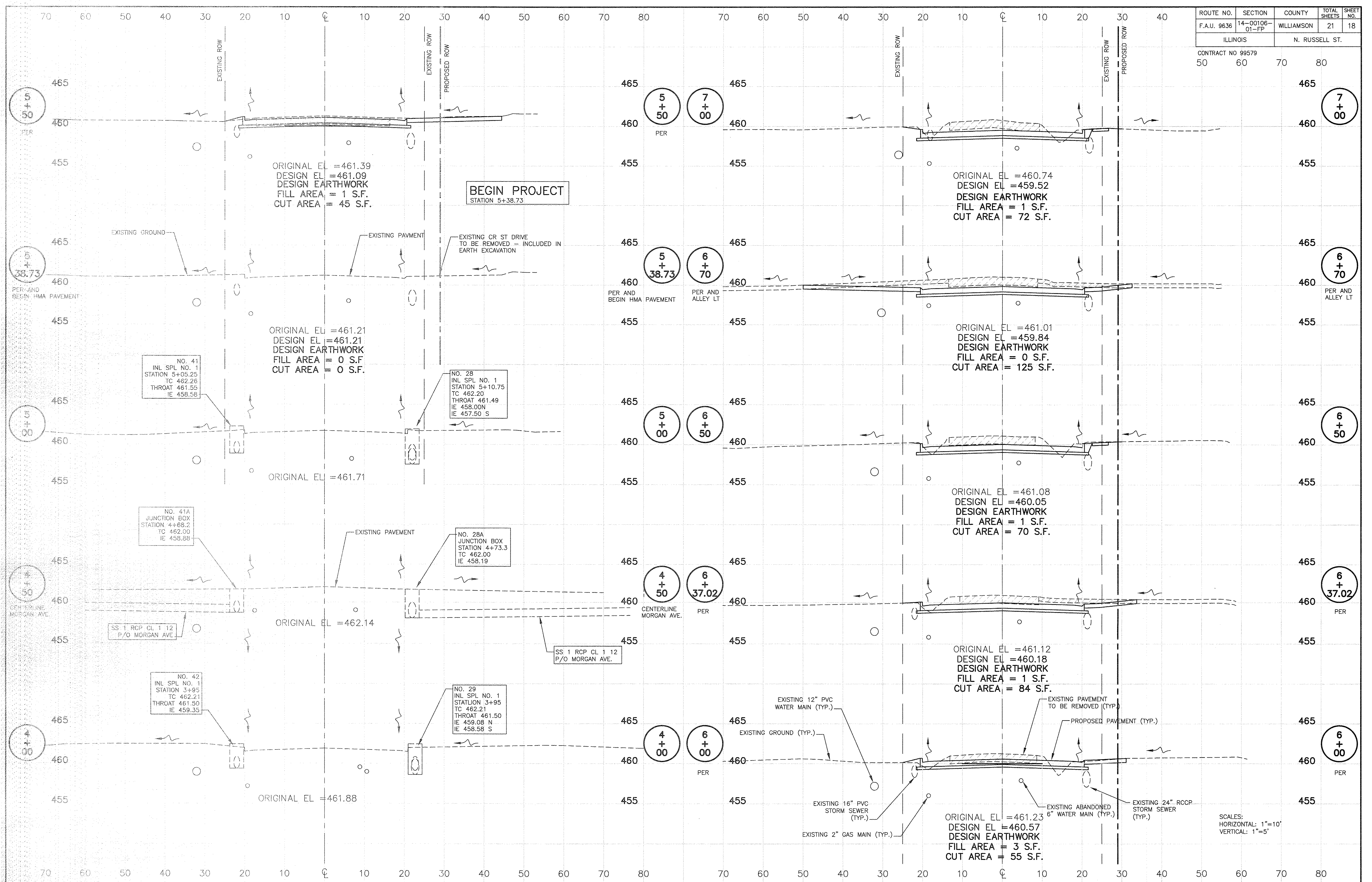
BRIAN P. PRICE, PLS #035-003816

EXPIRATION/RENEWAL DATE 11/30/2018



ROUTE NO.	SECTION	COUNTY	TOTAL SHEETS	SHEET NO.
F.A.U. 9636	14-00106-01-FP	WILLIAMSON	21	18
ILLINOIS		N. RUSSELL ST.		

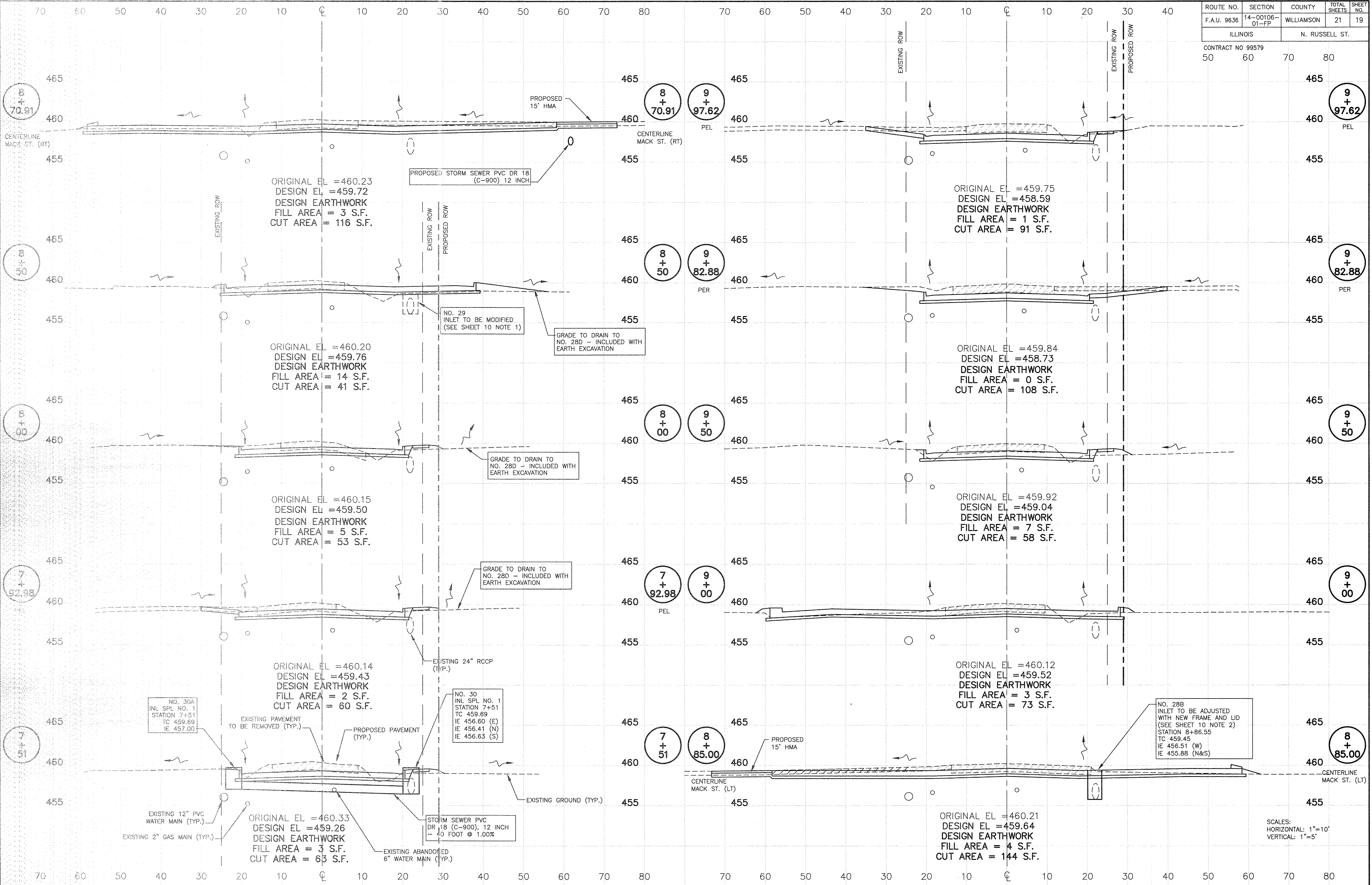
CONTRACT NO 99579
50 60 70 80



SCALES:
HORIZONTAL: 1"=10'
VERTICAL: 1"=5'

ROUTE NO.	SECTION	COUNTY	TOTAL SHEETS	SHEET NO.
F.A.U. 9636	14-00106-01-FP	WILLIAMSON	21	19
ILLINOIS		N. RUSSELL ST.		

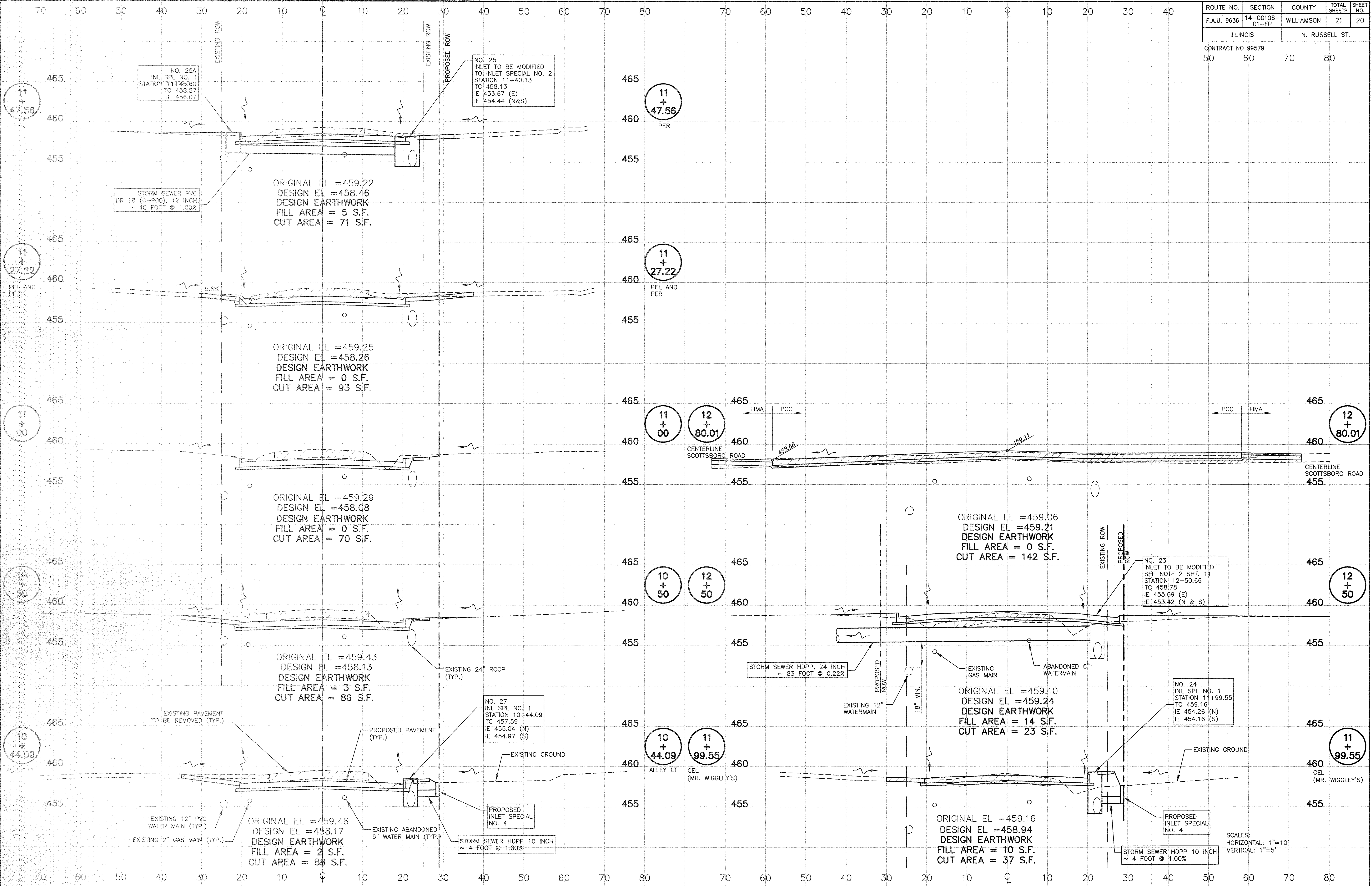
CONTRACT NO 99579
50 60 70 80



SCALES:
HORIZONTAL: 1"=10'
VERTICAL: 1"=5'

ROUTE NO.	SECTION	COUNTY	TOTAL SHEETS	SHEET NO.
F.A.U. 9636	14-00106-01-FP	WILLIAMSON	21	20
ILLINOIS		N. RUSSELL ST.		

CONTRACT NO 99579
 50 60 70 80



N. RUSSELL ST. IMPROVEMENTS - CROSS SECTIONS STATION 10+44.09 TO 12+80.01 PROJECT No. 08167 SHT. 20 OF 21

ROUTE NO.	SECTION	COUNTY	TOTAL SHEETS	SHEET NO.
F.A.U. 9636	14-00106-01-FP	WILLIAMSON	21	21
ILLINOIS		N. RUSSELL ST.		

CONTRACT NO 99579
50 60 70 80

