

SUMMARY OF QUANTITIES

CODE NO.	ITEM	UNIT	TOTAL QUANTITY	CONSTRUCTION CODE							CODE NO.	ITEM	UNIT	TOTAL QUANTITY	CONSTRUCTION CODE											
				90% FED 10% STATE	90% FED 6.67% STATE 3.33% VILLAGE	100% VILLAGE	80% STATE 20% VILLAGE	90% FED 5% STATE 2.5% VILLAGE 2.5% COUNTY	90% FED 10% STATE	100% CITY					90% FED 10% STATE	90% FED 6.67% STATE 3.33% VILLAGE	100% VILLAGE	80% STATE 20% VILLAGE	90% FED 5% STATE 2.5% VILLAGE 2.5% COUNTY	90% FED 10% STATE	100% CITY					
				ROADWAY 0004 URBAN	TRAFFIC SIGNALS 0021 URBAN	EVP 0021 URBAN	SIDEWALK 0021 URBAN	TRAFFIC SIGNALS 0021 URBAN	INTERCONNECT 0021 URBAN	ROADWAY 0004 URBAN					ROADWAY 0004 URBAN	TRAFFIC SIGNALS 0021 URBAN	EVP 0021 URBAN	SIDEWALK 0021 URBAN	TRAFFIC SIGNALS 0021 URBAN	INTERCONNECT 0021 URBAN	ROADWAY 0004 URBAN					
20100110	TREE REMOVAL (6 TO 15 UNITS DIAMETER)	UNIT	18	18										25100115	MULCH, METHOD 2	ACRE	0.7	0.6								
20101000	TEMPORARY FENCE	FOOT	1,875	1,304			571							25200110	SODDING, SALT TOLERANT	SQ YD	3,382	2,082			400					
20101200	TREE ROOT PRUNING	EACH	9	9										25200200	SUPPLEMENTAL WATERING	UNIT	41	36			5					
20101300	TREE PRUNING (1 TO 10 INCH DIAMETER)	EACH	7	7										28000250	TEMPORARY EROSION CONTROL SEEDING	POUND	70	60			10					
20101350	TREE PRUNING (OVER 10 INCH DIAMETER)	EACH	2	2										28000400	PERIMETER EROSION BARRIER	FOOT	911	911								
20101700	SUPPLEMENTAL WATERING	UNIT	21	18			3							28000510	INLET FILTERS	EACH	18	18								
20200100	EARTH EXCAVATION	CU YD	273	171			102							30300001	AGGREGATE SUBGRADE IMPROVEMENT	CU YD	25	25								
20201200	REMOVAL AND DISPOSAL OF UNSUITABLE MATERIAL	CU YD	325	174			151							30300112	AGGREGATE SUBGRADE IMPROVEMENT 12"	SQ YD	484	484								
20400800	FURNISHED EXCAVATION	CU YD	156	98			58							35101500	AGGREGATE BASE COURSE, TYPE B	CU YD	20	20								
20800150	TRENCH BACKFILL	CU YD	338	338										35101600	AGGREGATE BASE COURSE, TYPE B 4"	SQ YD	1,987	947			1,040					
21101505	TOPSOIL EXCAVATION AND PLACEMENT	CU YD	597	552			45							35400540	PORTLAND CEMENT CONCRETE BASE COURSE WIDENING 14"	SQ YD	40	40								
25000400	NITROGEN FERTILIZER NUTRIENT	POUND	42	37			5							35501316	HOT-MX ASPHALT BASE COURSE 8"	SQ YD	187			187						
25000500	PHOSPHORUS FERTILIZER NUTRIENT	POUND	42	37			5							35501319	HOT-MX ASPHALT BASE COURSE 8 3/4"	SQ YD	531	531								
25000600	POTASSIUM FERTILIZER NUTRIENT	POUND	42	37			5							35800100	PREPARATION OF BASE	SQ YD	763	763								
25000750	MOWING	ACRE	0.7	0.6			0.1							40800280	BITUMINOUS MATERIALS (TACK COAT)	POUND	18,230	18,230								

* INDICATES SPECIALTY ITEM

* INDICATES SPECIALTY ITEM

COPYRIGHT © 2014 BY BAXTER & WOODMAN, INC.
 STATE OF ILLINOIS - PROFESSIONAL ENGINEERS
 LICENSE NO. 184 00013 - EXP. 12/31/2015
 5/16/2017 3:02:50 PM

DESIGNED - JDM	REVISED -
DRAWN - UKB	REVISED -
CHECKED - DJS	REVISED -
DATE - 10-7-16	FILE - 1401835HT-wo2-500.dgn

STATE OF ILLINOIS
DEPARTMENT OF TRANSPORTATION

SUMMARY OF QUANTITIES

SCALE: STA. TO STA.

F.A.P. RTE. 347	SECTION (CY&S43R)TS(14)	COUNTY	TOTAL SHEETS 110	SHEET NO. 3
CONTRACT NO. 60X07			FED. ROAD DIST. NO. 1 ILLINOIS FED. AID PROJECT	

REV 6-7-17

SUMMARY OF QUANTITIES

CODE NO.	ITEM	UNIT	TOTAL QUANTITY	CONSTRUCTION CODE								CODE NO.	ITEM	UNIT	TOTAL QUANTITY	CONSTRUCTION CODE																									
				90% FED 10% STATE	90% FED 6.67% STATE 3.33% VILLAGE	100% VILLAGE	80% STATE 20% VILLAGE	90% FED 5% STATE 2.5% VILLAGE 2.5% COUNTY	90% FED 10% STATE	100% CITY	90% FED 10% STATE					90% FED 6.67% STATE 3.33% VILLAGE	100% VILLAGE	80% STATE 20% VILLAGE	90% FED 5% STATE 2.5% VILLAGE 2.5% COUNTY	90% FED 10% STATE	100% CITY																				
				ROADWAY 0004 URBAN	TRAFFIC SIGNALS 0021 URBAN	EVP 0021 URBAN	SIDEWALK 0021 URBAN	TRAFFIC SIGNALS 0021 URBAN	INTERCONNECT 0021 URBAN	ROADWAY 0004 URBAN	ROADWAY 0004 URBAN					TRAFFIC SIGNALS 0021 URBAN	EVP 0021 URBAN	SIDEWALK 0021 URBAN	TRAFFIC SIGNALS 0021 URBAN	INTERCONNECT 0021 URBAN	ROADWAY 0004 URBAN																				
40600400	MIXTURE FOR CRACKS, JOINTS, AND FLANGEWAYS	TON	7	7																	44000300	CURB REMOVAL	FOOT	70																	
40600827	POLYMERIZED LEVELING BINDER (MACHINE METHOD), IL-4.75, N50	TON	1,116	1,116																		44000500	COMBINATION CURB AND GUTTER REMOVAL	FOOT	1,771	1,733															
40600982	HOT-MIX ASPHALT SURFACE REMOVAL - BUTT JOINT	SQ YD	174	174																		44000600	SIDEWALK REMOVAL	SQ FT	1,740	1,740															
40600985	PORTLAND CEMENT CONCRETE SURFACE REMOVAL - BUTT JOINT	SQ YD	110																			44003100	MEDIAN REMOVAL	SQ FT	6,985	6,985															
40803335	HOT-MIX ASPHALT SURFACE COURSE MX "D", N50	TON	99	74				25														44201744	CLASS D PATCHES, TYPE I, 8 INCH	SQ YD	80																
42001300	PROTECTIVE COAT	SQ YD	2,982	1,833				1,149														44201747	CLASS D PATCHES, TYPE II, 8 INCH	SQ YD	100																
42300400	PORTLAND CEMENT CONCRETE DRIVEWAY PAVEMENT 8 INCH	SQ YD	152	84				68														44201798	CLASS D PATCHES, TYPE I, 13 INCH	SQ YD	195	195															
42400200	PORTLAND CEMENT CONCRETE SIDEWALK 5 INCH	SQ FT	4,988	696				4,292														44201803	CLASS D PATCHES, TYPE II, 13 INCH	SQ YD	390	390															
42400300	PORTLAND CEMENT CONCRETE SIDEWALK 6 INCH	SQ FT	2,702					2,702														44201807	CLASS D PATCHES, TYPE II, 13 INCH	SQ YD	455	455															
42400410	PORTLAND CEMENT CONCRETE SIDEWALK 8 INCH	SQ FT	1,539					1,539														44201809	CLASS D PATCHES, TYPE IV, 13 INCH	SQ YD	520	520															
42400800	DETECTABLE WARNINGS	SQ FT	371	184				187														550A0050	STORM SEWERS, CLASS A, TYPE 1 12"	FOOT	62	62															
44000100	PAVEMENT REMOVAL	SQ YD	523	523																		550A0160	STORM SEWERS, CLASS A, TYPE 1 36"	FOOT	128	128															
44000158	HOT-MIX ASPHALT SURFACE REMOVAL, 2 1/4"	SQ YD	875	875																		550A0450	STORM SEWERS, CLASS A, TYPE 2 36"	FOOT	350	350															
44000159	HOT-MIX ASPHALT SURFACE REMOVAL, 2 1/2"	SQ YD	25,117	25,117																		55100500	STORM SEWER REMOVAL 12"	FOOT	52	52															
44000200	DRIVEWAY PAVEMENT REMOVAL	SQ YD	586	79				453														56400100	FIRE HYDRANTS TO BE MOVED	EACH	2																

* INDICATES SPECIALTY ITEM

* INDICATES SPECIALTY ITEM

COPYRIGHT © 2014 BY BAXTER & WOODMAN, INC.
 STATE OF ILLINOIS - PROFESSIONAL ENGINEER
 LICENSE NO. 181-00083 - EXP. 12/31/16
 220 S. BIRCH ST., SUITE 200, CHICAGO, IL 60606
 TEL: 312.581.2300 FAX: 312.581.2301

100% VILLAGE OF VILLA PARK - CONSTRUCTION CODE 0043 (UTILITIES)

REV 6-7-17

SUMMARY OF QUANTITIES

CODE NO.	ITEM	UNIT	TOTAL QUANTITY	CONSTRUCTION CODE							CODE NO.	ITEM	UNIT	TOTAL QUANTITY	CONSTRUCTION CODE											
				90% FED 10% STATE	90% FED 6.67% STATE 3.33% VILLAGE	100% VILLAGE	80% STATE 20% VILLAGE	90% FED 5% STATE 2.5% VILLAGE 2.5% COUNTY	90% FED 10% STATE	100% CITY					90% FED 10% STATE	90% FED 6.67% STATE 3.33% VILLAGE	100% VILLAGE	80% STATE 20% VILLAGE	90% FED 5% STATE 2.5% VILLAGE 2.5% COUNTY	90% FED 10% STATE	100% CITY					
				ROADWAY 0004 URBAN	TRAFFIC SIGNALS 0021 URBAN	EVP 0021 URBAN	SIDEWALK 0021 URBAN	TRAFFIC SIGNALS 0021 URBAN	INTERCONNECT 0021 URBAN	ROADWAY 0004 URBAN					ROADWAY 0004 URBAN	TRAFFIC SIGNALS 0021 URBAN	EVP 0021 URBAN	SIDEWALK 0021 URBAN	TRAFFIC SIGNALS 0021 URBAN	INTERCONNECT 0021 URBAN	ROADWAY 0004 URBAN					
56400300	FIRE HYDRANTS TO BE ADJUSTED	EACH	2				2						30260800	VALVE BOXES TO BE ADJUSTED	EACH	2	1				1					
58500600	DOMESTIC WATER SERVICE BOXES TO BE ADJUSTED	EACH	1				1						60500050	REMOVING CATCH BASINS	EACH	4	4									
60107600	PIPE UNDERDRAINS 4"	FOOT	415	415									60500060	REMOVING INLETS	EACH	5	5									
60201105	CATCH BASINS, TYPE A, 4'-DIAMETER, TYPE 11 FRAME AND GRATE	EACH	4	4									60603800	COMBINATION CONCRETE CURB AND GUTTER, TYPE B-6.12	FOOT	729	695				34					
60204805	CATCH BASINS, TYPE A, 5'-DIAMETER, TYPE 11 FRAME AND GRATE	EACH	5	5									60604700	COMBINATION CURB AND GUTTER, TYPE B-6.18 (MODIFIED)	FOOT	1,240	1,240									
60205040	CATCH BASINS, TYPE A, 5'-DIAMETER, TYPE 24 FRAME AND GRATE	EACH	1	1									60605000	COMBINATION CONCRETE CURB AND GUTTER, TYPE B-6.24	FOOT	155	155									
60223800	MANHOLES, TYPE A, 6'-DIAMETER, TYPE 1 FRAME, CLOSED LID	EACH	2	2									60607400	COMBINATION CONCRETE CURB AND GUTTER, TYPE B-9.24	FOOT	889	889									
60236800	INLETS, TYPE A, TYPE 11 FRAME AND GRATE	EACH	2	2									60618300	CONCRETE MEDIAN SURFACE, 4 INCH	SQ FT	101	101									
60237470	INLETS, TYPE A, TYPE 24 FRAME AND GRATE	EACH	3	3									60619600	CONCRETE MEDIAN, TYPE SB-6.12	SQ FT	2,891	2,891									
60250200	CATCH BASINS TO BE ADJUSTED	EACH	27	25			2						68300165	GALCIUM CHLORIDE APPLIED	TON	3	1				2					
60250500	CATCH BASINS TO BE ADJUSTED WITH NEW TYPE 1 FRAME, CLOSED LID	EACH	3	3									*68902000	NON-SPECIAL WASTE DISPOSAL	CU YD	220	132				88					
60251500	CATCH BASINS TO BE ADJUSTED WITH NEW TYPE 11 FRAME AND GRATE	EACH	1	1									*68900450	SPECIAL WASTE PLANS AND REPORT	L SUM	1.0	0.6				0.4					
60255500	MANHOLES TO BE ADJUSTED	EACH	6	6									*68900530	SOIL DISPOSAL ANALYSIS	EACH	9	6				3					
60260100	INLETS TO BE ADJUSTED	EACH	7	7									67000400	ENGINEER'S FIELD OFFICE, TYPE A	CAL MO	8	8									
60265700	VALVE VAULTS TO BE ADJUSTED	EACH	4	1			3						67100100	MOBILIZATION	L SUM	1	1									

* INDICATES SPECIALTY ITEM

* INDICATES SPECIALTY ITEM

100% VILLAGE OF VILLA PARK - CONSTRUCTION CODE 0043 (UTILITIES)

COPYRIGHT © 2004 BY BAXTER & WOODMAN, INC.
 3100 N. WILSON AVENUE, SUITE 100, CHICAGO, IL 60642-4005
 TEL: 773-399-1300 FAX: 773-399-1305
 WWW.BAXTERWOODMAN.COM
 6/20/04 10:48 AM

DESIGNED - JDM	REVISED -
DRAWN - LKB	REVISED -
CHECKED - DJS	REVISED -
DATE - 10-7-16	FILE - 140183SHT-w02-500.dgn

**STATE OF ILLINOIS
DEPARTMENT OF TRANSPORTATION**

SUMMARY OF QUANTITIES

SCALE: _____ STA. _____ TO STA. _____

F.A.P. RTE. 347	SECTION (DY&S43R)S114	COUNTY	TOTAL SHEETS 110	SHEET NO. 5
FED. ROAD DIST. NO. 1 ILLINOIS FED. AID PROJECT		DUPAGE	CONTRACT NO. 60X87	

REV 6-7-17

SUMMARY OF QUANTITIES

CODE NO.	ITEM	UNIT	TOTAL QUANTITY	CONSTRUCTION CODE								CODE NO.	ITEM	UNIT	TOTAL QUANTITY	CONSTRUCTION CODE																								
				90% FED 10% STATE	90% FED 6.67% STATE 3.33% VILLAGE	100% VILLAGE	80% STATE 20% VILLAGE	5% STATE 2.5% VILLAGE 2.5% COUNTY	90% FED 10% STATE	100% CITY	90% FED 10% STATE					90% FED 6.67% STATE 3.33% VILLAGE	100% VILLAGE	80% STATE 20% VILLAGE	5% STATE 2.5% VILLAGE 2.5% COUNTY	90% FED 10% STATE	100% CITY																			
				ROADWAY 0004	TRAFFIC SIGNALS 0021	EVP 0021	SIDEWALK 0021	TRAFFIC SIGNALS 0021	INTERCONNECT 0021	ROADWAY 0004	TRAFFIC SIGNALS 0021					EVP 0021	SIDEWALK 0021	TRAFFIC SIGNALS 0021	INTERCONNECT 0021	ROADWAY 0004	TRAFFIC SIGNALS 0021	EVP 0021	SIDEWALK 0021	TRAFFIC SIGNALS 0021	INTERCONNECT 0021	ROADWAY 0004														
				URBAN	URBAN	URBAN	URBAN	URBAN	URBAN	URBAN	URBAN					URBAN	URBAN	URBAN	URBAN	URBAN	URBAN	URBAN	URBAN	URBAN	URBAN	URBAN	URBAN													
*84200600	REMOVAL OF LIGHTING UNIT, NO SALVAGE	EACH	3	3										*87700250	STEEL MAST ARM ASSEMBLY AND POLE, 42 FT.	EACH	1		1																					
*85000200	MAINTENANCE OF EXISTING TRAFFIC SIGNAL INSTALLATION	EACH	1							1				*87800100	CONCRETE FOUNDATION, TYPE A	FOOT	40		28																					
*88400100	TRANSCEIVER - FIBER OPTIC	EACH	1										1	*87800150	CONCRETE FOUNDATION, TYPE C	FOOT	4		4																					
*87300925	ELECTRIC CABLE IN CONDUIT, TRACER, NO. 14 1C	FOOT	1,748									1,748		*87800415	CONCRETE FOUNDATION, TYPE E 36-INCH DIAMETER	FOOT	26		26																					
*87301215	ELECTRIC CABLE IN CONDUIT, SIGNAL NO. 14 2C	FOOT	1,426		640					786				*87800200	DRILL EXISTING HANDHOLE	EACH	4					3		1																
*87301225	ELECTRIC CABLE IN CONDUIT, SIGNAL NO. 14 3C	FOOT	2,157		1,350					807				*88030020	SIGNAL HEAD, LED, 1-FACE, 3-SECTION, MAST-ARM MOUNTED	EACH	6		6																					
*87301245	ELECTRIC CABLE IN CONDUIT, SIGNAL NO. 14 5C	FOOT	2,682		2,400					282				*88030050	SIGNAL HEAD, LED, 1-FACE, 3-SECTION, BRACKET MOUNTED	EACH	6		5				1																	
*87301255	ELECTRIC CABLE IN CONDUIT, SIGNAL NO. 14 7C	FOOT	653		653									*88030100	SIGNAL HEAD, LED, 1-FACE, 5-SECTION, BRACKET MOUNTED	EACH	3		3																					
*87301305	ELECTRIC CABLE IN CONDUIT, LEAD-IN, NO. 14 1 PAIR	FOOT	1,910		1,910									*88030110	SIGNAL HEAD, LED, 1-FACE, 5-SECTION, MAST-ARM MOUNTED	EACH	1		1																					
*87301805	ELECTRIC CABLE IN CONDUIT, SERVICE NO. 6 2 C	FOOT	120		120									*88102717	PEDESTRIAN SIGNAL HEAD, LED, 1-FACE, BRACKET MOUNTED WITH COUNTDOWN TIMER	EACH	4		4																					
*87301900	ELECTRIC CABLE IN CONDUIT, EQUIPMENT GROUNDING CONDUCTOR, NO. 6 1C	FOOT	795		730					65				*88200400	TRAFFIC SIGNAL BACKPLATE, FORMED PLASTIC	EACH	7		7																					
*87502440	TRAFFIC SIGNAL POST, GALVANIZED STEEL, 10 FT.	EACH	4		1					3				*88500100	INDUCTIVE LOOP DETECTOR	EACH	6		6																					
*87502500	TRAFFIC SIGNAL POST, GALVANIZED STEEL, 16 FT.	EACH	4		4									*88600100	DETECTOR LOOP, TYPE I	FOOT	366		366																					
*87502520	TRAFFIC SIGNAL POST, GALVANIZED STEEL, 18 FT.	EACH	1		1									*88600200	DETECTOR LOOP REPLACEMENT	FOOT	1,257	400					857																	
*87700240	STEEL MAST ARM ASSEMBLY AND POLE, 40 FT.	EACH	1		1									*88700200	LIGHT DETECTOR	EACH	3								3															

* INDICATES SPECIALTY ITEM

* INDICATES SPECIALTY ITEM

COPYRIGHT © 2004 BY BAXTER & WOODMAN, INC.
 STATE OF ILLINOIS - PROFESSIONAL LICENSE NO. 041-001211
 LICENSE NO. 041-001211, EXPIRES 07/31/2005
 FILED 08/10/04 08:48 AM AT ST. LOUIS, MO. BY J. W. BAXTER
 041-001211

DESIGNED - JDM	REVISED -
DRAWN - LKB	REVISED -
CHECKED - DJS	REVISED -
DATE - 10-7-16	FILE - 1401835HT-w02-500.dgn

STATE OF ILLINOIS
DEPARTMENT OF TRANSPORTATION

SUMMARY OF QUANTITIES

SCALE: STA. TO STA.

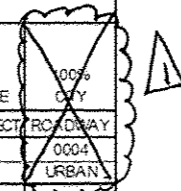
F.A.P. RTE.	SECTION	COUNTY	TOTAL SHEETS	SHEET NO.
347	(CY&S43R)TS(14)	DUPAGE	110	7
FED. ROAD DIST. NO. 1 ILLINOIS FED. AID PROJECT			CONTRACT NO. 60X87	

REV 6-7-17

11/13/16

SUMMARY OF QUANTITIES

CODE NO.	ITEM	UNIT	TOTAL QUANTITY	CONSTRUCTION CODE							
				ROADWAY	TRAFFIC SIGNALS	EVP	SIDEWALK	TRAFFIC SIGNALS	INTERCONNECT	ROADWAY	
				0004	0021	0021	0021	0021	0021	0004	
				90% FED 10% STATE	90% FED 6.67% STATE 3.33% VILLAGE	100% VILLAGE	80% STATE 20% VILLAGE	90% FED 5% STATE 2.5% VILLAGE 2.5% COUNTY	90% FED 10% STATE	100% CITY	
X7010216	TRAFFIC CONTROL AND PROTECTION, (SPECIAL)	L SUM	1	1							
X7015005	CHANGEABLE MESSAGE SIGN	CAL DA	730	730							
X7030005	TEMPORARY PAVEMENT MARKING REMOVAL	SQ FT	12,415	12,415							
X8620200	UNINTERRUPTABLE POWER SUPPLY, SPECIAL	EACH	1		1						
X8710024	FIBER OPTIC CABLE IN CONDUIT, NO. 62 5/125 MM12F SM24F	FOOT	1,748						1,748		
X1400001	RADAR VEHICLE DETECTION SYSTEM, SINGLE APPROACH, STOP BAR	EACH	1		1						



X INDICATES SPECIALTY ITEM

CONTRACT NO. 2014 BY BAXTER & WOODMAN, INC. STATE OF ILLINOIS - PROFESSIONAL SERVICES CONTRACT NO. 1401835HT-wo2-500.dgn
 DRAWN BY: UKB CHECKED BY: DJS DATE: 10-7-16
 DESIGNED BY: JDM REVISIONS: 01, 02, 03, 04, 05, 06, 07, 08, 09, 10, 11, 12, 13, 14, 15, 16, 17, 18, 19, 20, 21, 22, 23, 24, 25, 26, 27, 28, 29, 30, 31, 32, 33, 34, 35, 36, 37, 38, 39, 40, 41, 42, 43, 44, 45, 46, 47, 48, 49, 50, 51, 52, 53, 54, 55, 56, 57, 58, 59, 60, 61, 62, 63, 64, 65, 66, 67, 68, 69, 70, 71, 72, 73, 74, 75, 76, 77, 78, 79, 80, 81, 82, 83, 84, 85, 86, 87, 88, 89, 90, 91, 92, 93, 94, 95, 96, 97, 98, 99, 100, 101, 102, 103, 104, 105, 106, 107, 108, 109, 110, 111, 112, 113, 114, 115, 116, 117, 118, 119, 120, 121, 122, 123, 124, 125, 126, 127, 128, 129, 130, 131, 132, 133, 134, 135, 136, 137, 138, 139, 140, 141, 142, 143, 144, 145, 146, 147, 148, 149, 150, 151, 152, 153, 154, 155, 156, 157, 158, 159, 160, 161, 162, 163, 164, 165, 166, 167, 168, 169, 170, 171, 172, 173, 174, 175, 176, 177, 178, 179, 180, 181, 182, 183, 184, 185, 186, 187, 188, 189, 190, 191, 192, 193, 194, 195, 196, 197, 198, 199, 200, 201, 202, 203, 204, 205, 206, 207, 208, 209, 210, 211, 212, 213, 214, 215, 216, 217, 218, 219, 220, 221, 222, 223, 224, 225, 226, 227, 228, 229, 230, 231, 232, 233, 234, 235, 236, 237, 238, 239, 240, 241, 242, 243, 244, 245, 246, 247, 248, 249, 250, 251, 252, 253, 254, 255, 256, 257, 258, 259, 260, 261, 262, 263, 264, 265, 266, 267, 268, 269, 270, 271, 272, 273, 274, 275, 276, 277, 278, 279, 280, 281, 282, 283, 284, 285, 286, 287, 288, 289, 290, 291, 292, 293, 294, 295, 296, 297, 298, 299, 300, 301, 302, 303, 304, 305, 306, 307, 308, 309, 310, 311, 312, 313, 314, 315, 316, 317, 318, 319, 320, 321, 322, 323, 324, 325, 326, 327, 328, 329, 330, 331, 332, 333, 334, 335, 336, 337, 338, 339, 340, 341, 342, 343, 344, 345, 346, 347, 348, 349, 350, 351, 352, 353, 354, 355, 356, 357, 358, 359, 360, 361, 362, 363, 364, 365, 366, 367, 368, 369, 370, 371, 372, 373, 374, 375, 376, 377, 378, 379, 380, 381, 382, 383, 384, 385, 386, 387, 388, 389, 390, 391, 392, 393, 394, 395, 396, 397, 398, 399, 400, 401, 402, 403, 404, 405, 406, 407, 408, 409, 410, 411, 412, 413, 414, 415, 416, 417, 418, 419, 420, 421, 422, 423, 424, 425, 426, 427, 428, 429, 430, 431, 432, 433, 434, 435, 436, 437, 438, 439, 440, 441, 442, 443, 444, 445, 446, 447, 448, 449, 450, 451, 452, 453, 454, 455, 456, 457, 458, 459, 460, 461, 462, 463, 464, 465, 466, 467, 468, 469, 470, 471, 472, 473, 474, 475, 476, 477, 478, 479, 480, 481, 482, 483, 484, 485, 486, 487, 488, 489, 490, 491, 492, 493, 494, 495, 496, 497, 498, 499, 500, 501, 502, 503, 504, 505, 506, 507, 508, 509, 510, 511, 512, 513, 514, 515, 516, 517, 518, 519, 520, 521, 522, 523, 524, 525, 526, 527, 528, 529, 530, 531, 532, 533, 534, 535, 536, 537, 538, 539, 540, 541, 542, 543, 544, 545, 546, 547, 548, 549, 550, 551, 552, 553, 554, 555, 556, 557, 558, 559, 560, 561, 562, 563, 564, 565, 566, 567, 568, 569, 570, 571, 572, 573, 574, 575, 576, 577, 578, 579, 580, 581, 582, 583, 584, 585, 586, 587, 588, 589, 590, 591, 592, 593, 594, 595, 596, 597, 598, 599, 600, 601, 602, 603, 604, 605, 606, 607, 608, 609, 610, 611, 612, 613, 614, 615, 616, 617, 618, 619, 620, 621, 622, 623, 624, 625, 626, 627, 628, 629, 630, 631, 632, 633, 634, 635, 636, 637, 638, 639, 640, 641, 642, 643, 644, 645, 646, 647, 648, 649, 650, 651, 652, 653, 654, 655, 656, 657, 658, 659, 660, 661, 662, 663, 664, 665, 666, 667, 668, 669, 670, 671, 672, 673, 674, 675, 676, 677, 678, 679, 680, 681, 682, 683, 684, 685, 686, 687, 688, 689, 690, 691, 692, 693, 694, 695, 696, 697, 698, 699, 700, 701, 702, 703, 704, 705, 706, 707, 708, 709, 710, 711, 712, 713, 714, 715, 716, 717, 718, 719, 720, 721, 722, 723, 724, 725, 726, 727, 728, 729, 730, 731, 732, 733, 734, 735, 736, 737, 738, 739, 740, 741, 742, 743, 744, 745, 746, 747, 748, 749, 750, 751, 752, 753, 754, 755, 756, 757, 758, 759, 760, 761, 762, 763, 764, 765, 766, 767, 768, 769, 770, 771, 772, 773, 774, 775, 776, 777, 778, 779, 780, 781, 782, 783, 784, 785, 786, 787, 788, 789, 790, 791, 792, 793, 794, 795, 796, 797, 798, 799, 800, 801, 802, 803, 804, 805, 806, 807, 808, 809, 810, 811, 812, 813, 814, 815, 816, 817, 818, 819, 820, 821, 822, 823, 824, 825, 826, 827, 828, 829, 830, 831, 832, 833, 834, 835, 836, 837, 838, 839, 840, 841, 842, 843, 844, 845, 846, 847, 848, 849, 850, 851, 852, 853, 854, 855, 856, 857, 858, 859, 860, 861, 862, 863, 864, 865, 866, 867, 868, 869, 870, 871, 872, 873, 874, 875, 876, 877, 878, 879, 880, 881, 882, 883, 884, 885, 886, 887, 888, 889, 890, 891, 892, 893, 894, 895, 896, 897, 898, 899, 900, 901, 902, 903, 904, 905, 906, 907, 908, 909, 910, 911, 912, 913, 914, 915, 916, 917, 918, 919, 920, 921, 922, 923, 924, 925, 926, 927, 928, 929, 930, 931, 932, 933, 934, 935, 936, 937, 938, 939, 940, 941, 942, 943, 944, 945, 946, 947, 948, 949, 950, 951, 952, 953, 954, 955, 956, 957, 958, 959, 960, 961, 962, 963, 964, 965, 966, 967, 968, 969, 970, 971, 972, 973, 974, 975, 976, 977, 978, 979, 980, 981, 982, 983, 984, 985, 986, 987, 988, 989, 990, 991, 992, 993, 994, 995, 996, 997, 998, 999, 1000.

BAXTER & WOODMAN

DESIGNED - JDM	REVISED -
DRAWN - UKB	REVISED -
CHECKED - DJS	REVISED -
DATE - 10-7-16	FILE - 1401835HT-wo2-500.dgn

STATE OF ILLINOIS
DEPARTMENT OF TRANSPORTATION

SUMMARY OF QUANTITIES

SCALE: TO STA.

F.A.P. RTE.	SECTION	COUNTY	TOTAL SHEETS	SHEET NO.
347	(CY&S43R)TS(14)	DUPAGE	110	9
FED. ROAD DIST. NO. 1 ILLINOIS FED. AID PROJECT			CONTRACT NO. 60X87	

REV 6-7-17 REV

**EXISTING TYPICAL SECTION
EUCLID AVENUE**
STA 301+11 TO STA 302+97

**PROPOSED TYPICAL SECTION
EUCLID AVENUE**
STA 301+11 TO STA 302+97

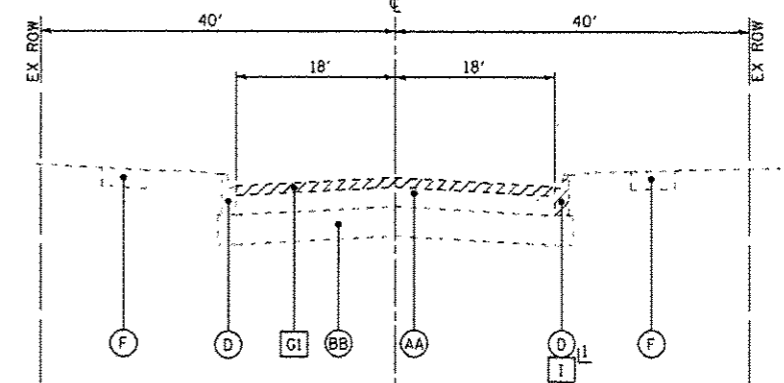
EXISTING LEGEND

- (A) HOT-MIX ASPHALT PAVEMENT - 12.5" (AFTER MILLING)
- (AA) HOT-MIX ASPHALT PAVEMENT - VARIES
- (B) AGGREGATE SUBGRADE - 12"
- (BB) AGGREGATE BASE COURSE - VARIES
- (C) CONCRETE MEDIAN
- (D) CONCRETE CURB AND GUTTER, TYPE B-6.12
- (E) CONCRETE CURB AND GUTTER, TYPE B-6.24
- (F) PCC SIDEWALK
- (FF) PCC PAVEMENT - VARIES
- (G) HOT-MIX ASPHALT SURFACE REMOVAL - 2 1/2"
- (GI) HOT-MIX ASPHALT SURFACE REMOVAL - 2 1/4"
- (GG) PORTLAND CEMENT CONCRETE SURFACE REMOVAL (VARIABLE DEPTH)
- (H) PAVEMENT REMOVAL
- (I) COMBINATION CURB AND GUTTER REMOVAL
- (J) COMBINATION CURB AND GUTTER REMOVAL AND REPLACEMENT (SPOT REPAIR)
- (K) MEDIAN REMOVAL
- (Hatched) ITEMS TO BE REMOVED

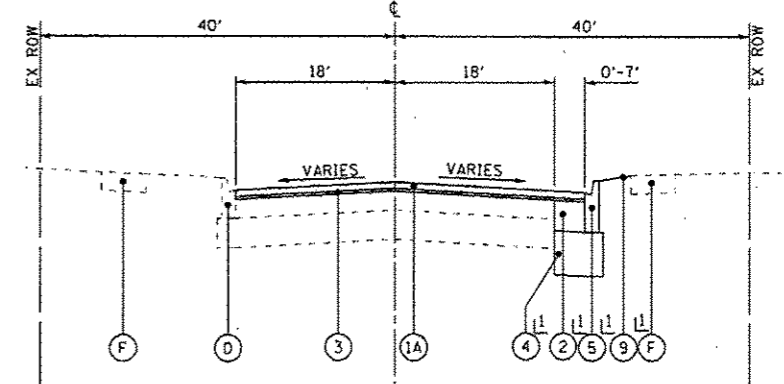
RESURFACING OF EUCLID AVENUE
WILL NOT BE INCLUDED IN THIS
CONTRACT

PROPOSED LEGEND

- (1) POLYMERIZED HOT-MIX ASPHALT SURFACE COURSE, SMA, 9.5, N80 - 1 3/4"
- (1A) HOT-MIX ASPHALT SURFACE COURSE, MIX "D", N50 - 1 1/2"
- (2) HOT-MIX ASPHALT BASE COURSE - 8 3/4"
- (3) POLYMERIZED LEVELING BINDER (MACHINE METHOD), IL-4.75, N50 - 3/4"
- (3A) POLYMERIZED LEVELING BINDER (MACHINE METHOD), IL-4.75, N50 - 1"
- (4) AGGREGATE SUBGRADE IMPROVEMENT - 12"
- (4A) AGGREGATE SUBGRADE IMPROVEMENT (SEE NOTE 1)
- (5) COMBINATION CURB AND GUTTER TYPE B-6.12
- (6) COMBINATION CURB AND GUTTER TYPE B-6.24
- (7) COMBINATION CURB AND GUTTER TYPE B-9.24
- (8) CONCRETE CURB, TYPE B (SPECIAL) (VARIABLE HEIGHT)
- (9) TOPSOIL FURNISH AND PLACE - 4"
SODDING, SALT TOLERANT FERTILIZER
- (10) PCC SIDEWALK - 5" (PCC SIDEWALK - 6" ADJACENT TO CONCRETE CURB TYPE B (SPECIAL))
- (11) AGGREGATE BASE COURSE, TYPE B - 4"
- (12) CONCRETE MEDIAN, TYPE SB-6.12
- (12A) PCC BASE COURSE WIDENING, 14"
- (13) TOPSOIL FURNISH AND PLACE - 18"
SODDING, SALT TOLERANT FERTILIZER
- (14) COMBINATION CONCRETE CURB AND GUTTER TYPE B-6.18 (MODIFIED)
- (15) PERPARATION OF BASE
- (16) LONGITUDINAL JOINT SEALER
(TO BE APPLIED ON THE ROADWAY AS DESCRIBED IN THE SPECIAL PROVISION)



**EXISTING TYPICAL SECTION
VILLA AVENUE**
STA 350+00 TO STA 353+12



**PROPOSED TYPICAL SECTION
VILLA AVENUE**
STA 351+00 TO STA 353+12

NOTE 1

AGGREGATE SUBGRADE IMPROVEMENT (CU YD) HAS BEEN PROVIDED FOR USE AT THE LOCATIONS INDICATED FOR SOILS THAT TEND TO BE UNSTABLE AND/OR UNSUITABLE. THE ACTUAL NEED FOR REMOVAL AND REPLACEMENT WITH AGGREGATE SUBGRADE IMPROVEMENT (CU YD) WILL BE DETERMINED IN THE FIELD AT THE TIME OF CONSTRUCTION BY THE GEOTECHNICAL ENGINEER. ALL POTENTIALLY UNSTABLE SOILS SHOULD BE TESTED WITH A STATIC CONE PENETROMETER AND TREATED IN ACCORDANCE WITH ARTICLE 301.04 (01/01/2012) AND THE IDOT SUBGRADE STABILITY MANUAL (05/01/2005). IF UNSTABLE AND/OR UNSUITABLE SOILS ARE NOT ENCOUNTERED, THEN THE QUANTITY SHALL BE DEDUCTED AND NO ADDITIONAL COMPENSATION WILL BE DUE TO THE CONTRACTOR.

COPYRIGHT © 2014, BY BAXTER & WOODMAN, INC. ...
 STATE OF ILLINOIS - PROFESSIONAL DESIGN FIRM
 2150 S. MICHIGAN AVE., SUITE 1000, CHICAGO, IL 60605
 312.467.1000



DESIGNED - JDM	REVISED -
DRAWN - LKB	REVISED -
CHECKED - DJS	REVISED -
DATE - 10-7-16	FILE - 1401813SHT-wo2-TypSect.dgn

STATE OF ILLINOIS
DEPARTMENT OF TRANSPORTATION

TYPICAL SECTIONS

SCALE: NONE	STA. TO STA.	F.A.P. RTE. 347	SECTION (CY&S)RITS(14)	COUNTY	TOTAL SHEETS 110	SHEET NO. 12
				CONTRACT NO. 60XB7		
FED. ROAD DIST. NO. 1 ILLINOIS FED. AID PROJECT						

REV 6-7-17

HOT-MIX ASPHALT SURFACE REMOVAL - 2 1/2"
 POLYMERIZED HOT-MIX ASPHALT SURFACE COURSE, SMA, 9.5, N80 - 1 3/4"
 POLYMERIZED LEVELING BINDER (MACHINE METHOD), IL-4.75, N50 3/4" (AVG)

~~PCC SURFACE REMOVAL (VARIABLE DEPTH)~~
~~HOT-MIX ASPHALT SURFACE COURSE, MIX "B", N50 1 1/2"~~
~~POLYMERIZED LEVELING BINDER (MACHINE METHOD), IL-4.75, N50 1 1/4" (AVG)~~

**IL RTE 38
(ROOSEVELT AVENUE)**

**RESURFACING OF EUCLID AVENUE
WILL NOT BE INCLUDED IN THIS CONTRACT**

BEGIN IMPROVEMENTS
EUCLID AVENUE
STA 299+61

END IMPROVEMENTS
EUCLID AVENUE
STA 302+97

HOT-MIX ASPHALT SURFACE REMOVAL
- BUTT JOINT

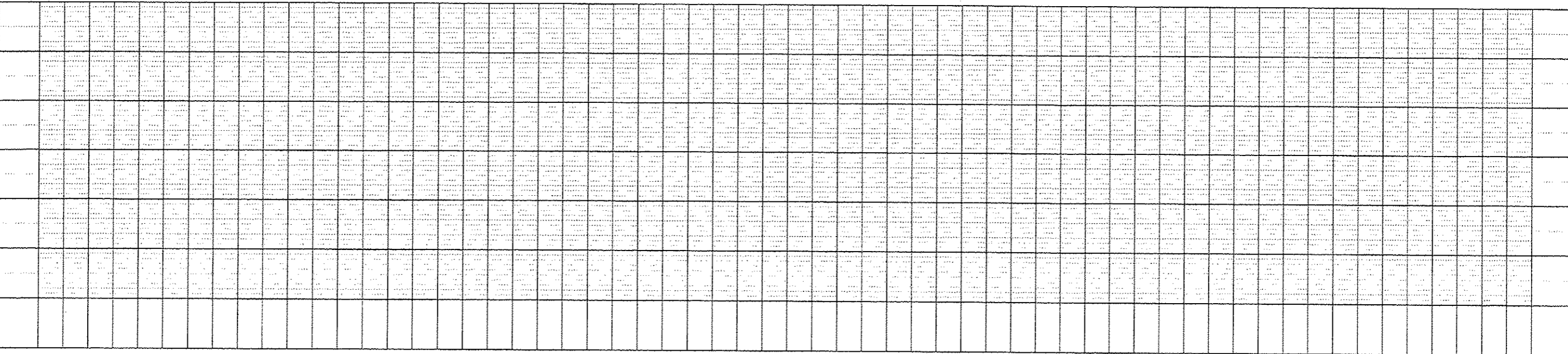
PCC SURFACE REMOVAL
- BUTT JOINT

PCC SURFACE REMOVAL - BUTT JOINT

☐ EUCLID AVENUE STA 300+43.28
 ☐ IL RTE 38 (ROOSEVELT ROAD) STA 106+68.28

**IL RTE 38
(ROOSEVELT AVENUE)**

EUCLID AVENUE



COPYRIGHT © 2014 BY BAXTER & WOODMAN, INC.
 STATE OF ILLINOIS PROFESSIONAL DESIGN FIRM
 DATE: 10-7-16
 PROJECT NO.: 140183SHT-wo2-Euclid-PP7-P01
 PROJECT: 60X87
 DRAWN BY: LKB
 CHECKED BY: DJS
 DATE: 10-7-16
 FILE: 140183SHT-wo2-Euclid-PP7.pgn

BAXTER & WOODMAN
 CONSULTING ENGINEERS

DESIGNED - JDM	REVISED -
DRAWN - LKB	REVISED -
CHECKED - DJS	REVISED -
DATE - 10-7-16	FILE - 140183SHT-wo2-Euclid-PP7.pgn

STATE OF ILLINOIS
DEPARTMENT OF TRANSPORTATION

PLAN AND PROFILE
EUCLID AVENUE

SCALE: H: 1"=20' V: 1"=5'
STA. 299+00 TO STA. 302+87

F.A.P. RTE.	SECTION	COUNTY	TOTAL SHEETS	SHEET NO.
347	(CY6543R)TS(14)	DUPAGE	110	25
CONTRACT NO. 60X87			FED. ROAD DIST. NO. 1 ILLINOIS FED. AID PROJECT	

REV 6-7-17