

STATE OF ILLINOIS
DEPARTMENT OF TRANSPORTATION

F.A.U. RTE.	SECTION	COUNTY	TOTAL SHEETS	SHEET NO.
1282	2016-076RS	COOK	21	1
		ILLINOIS	CONTRACT NO. 62D68	

*21+1=22
D-91-077-17

FOR INDEX OF SHEETS, SEE SHEET NO. 2

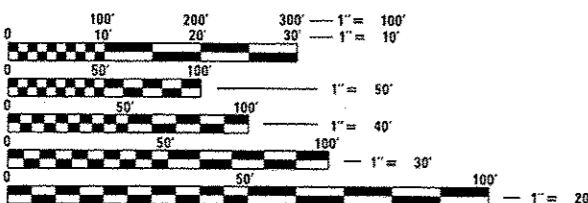
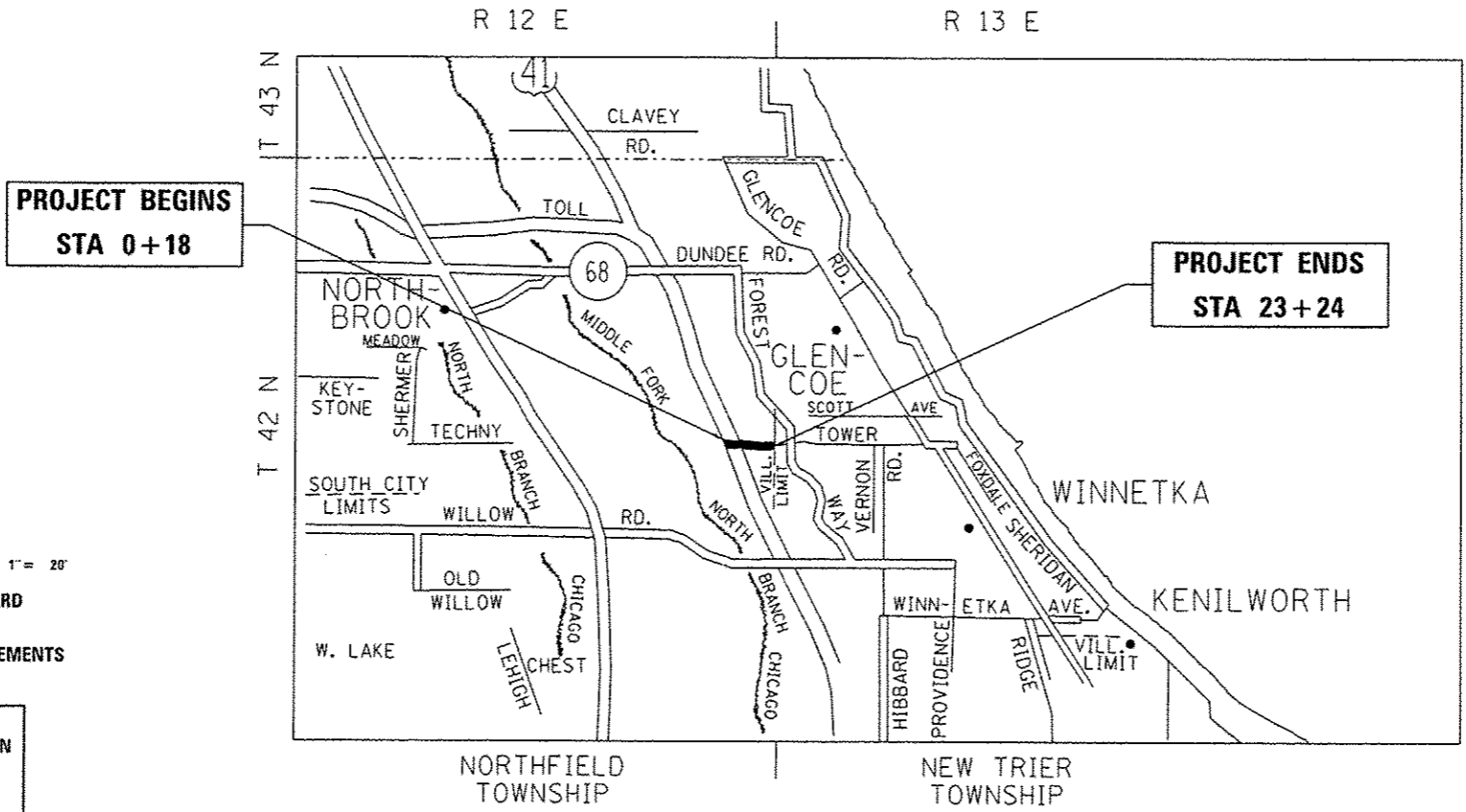
THIS PROJECT IS LOCATED IN THE VILLAGES OF GLENCOE AND NORTHFIELD.

TRAFFIC DATA:
TOWER RD.
2014 ADT=8000
SPEED LIMIT=35 MPH

PROPOSED
HIGHWAY PLANS

F.A.U ROUTE 1282 (TOWER RD.)
I-94 W. FRONTAGE RD. TO W/O FORESTWAY DR.
SECTION 2016-076RS
PROJECT STP-1282(002)
RESURFACING (3P) AND PEDESTRIAN RAMPS
COOK COUNTY

C-91-077-17



FULL SIZE PLANS HAVE BEEN PREPARED USING STANDARD ENGINEERING SCALES. REDUCED SIZED PLANS WILL NOT CONFORM TO STANDARD SCALES. IN MAKING MEASUREMENTS ON REDUCED PLANS, THE ABOVE SCALES MAY BE USED.

J.U.L.I.E.
JOINT UTILITY LOCATION INFORMATION FOR EXCAVATION
1-800-892-0123
OR 811

PROJECT ENGINEER: DAN WILGREEN (847)705-4240
PROJECT MANAGER: FAWAD AQUEEL (847)705-4247

GROSS LENGTH = 2305.64 FT. = 0.436 MILE
NET LENGTH = 1702.04 FT. = 0.322 MILE

CONTRACT NO. 62D68

STATE OF ILLINOIS
DEPARTMENT OF TRANSPORTATION

SUBMITTED April 4 2017
Amy J. [Signature] REGIONAL ENGINEER

May 12 2017
Maureen M. Addis [Signature] ENGINEER OF DESIGN AND ENVIRONMENT

May 12 2017
[Signature] 2
DIRECTOR OF PROGRAM DEVELOPMENT

PRINTED BY THE AUTHORITY
OF THE STATE OF ILLINOIS

INDEX OF SHEETS

STATE STANDARDS

GENERAL NOTES

SHEET NO.	DESCRIPTION
1	COVER SHEET
2	INDEX OF SHEETS, STATE STANDARDS, AND GENERAL NOTES
3-5	SUMMARY OF QUANTITIES
6	EXISTING AND PROPOSED TYPICAL SECTIONS
7	ROADWAY AND PAVEMENT MARKING PLAN
8-8A	SIDEWALK DETAIL PLAN
9	DETECTOR LOOP REPLACEMENT PLAN
10	DETAILS FOR FRAMES AND LIDS ADJUSTMENT WITH MILLING (BD-B)
11	PAVEMENT PATCHING FOR HMA SURFACED PAVEMENT (BD-22)
12	CURB OR CURB AND GUTTER REMOVAL AND REPLACEMENT (BD-24)
13	BUTT JOINT AND HMA TAPER DETAILS (BD-32)
14	TRAFFIC CONTROL AND PROTECTION FOR SIDE ROADS, INTERSECTIONS AND DRIVEWAYS (TC-10)
15	TYPICAL APPLICATIONS - RAISED REFLECTIVE PAVEMENT MARKERS (SNOW-PLOW RESISTANT) (TC-11)
16	DISTRICT ONE TYPICAL PAVEMENT MARKINGS (TC-13)
17	TRAFFIC CONTROL AND PROTECTION AT TURN BAYS (TO REMAIN OPEN TO TRAFFIC) (TC-14)
18	SHORT TERM PAVEMENT MARKING LETTERS AND SYMBOLS (TC-16)
19	ARTERIAL ROAD INFORMATION SIGN (TC-22)
20	STANDARD TRAFFIC SIGNAL DESIGN DETAILS (TS-05, SHEET 2 OF 7)
21	DETECTOR LOOP INSTALLATION DETAILS FOR ROADWAY RESURFACING (TS-07)

STANDARD NO.	DESCRIPTION
000001-06	STANDARD SYMBOLS, ABBREVIATIONS AND PATTERNS
424001-09	PERPENDICULAR CURB RAMPS FOR SIDEWALKS
424026-01	ENTRANCE / ALLEY PEDESTRIAN CROSSINGS
442201-03	CLASS C AND D PATCHES
482001-02	HMA SHOULDER ADJACENT TO FLEXIBLE PAVEMENT
604001-04	FRAME AND LIDS, TYPE 1
606001-06	CONCRETE CURB TYPE B AND COMBINATION CONCRETE CURB AND GUTTER
701006-05	OFF-RD OPERATIONS, 2L, 2W, 15' (4.5 m) to 24' (600 mm) FROM PAVEMENT EDGE
701011-04	OFF RD MOVING OPERATIONS, 2L, 2W, DAY ONLY
701301-04	LANE CLOSURE, 2L, 2W, SHORT TIME OPERATIONS
701311-03	LANE CLOSURE, 2L, 2W, MOVING OPERATIONS - DAY ONLY
701501-06	URBAN LANE CLOSURE, 2L, 2W, UNDIVIDED
701701-10	URBAN LANE CLOSURE, MULTILANE INTERSECTION
701801-06	SIDEWALK, CORNER OR CROSSWALK CLOSURE
701901-06	TRAFFIC CONTROL DEVICES
780001-05	TYPICAL PAVEMENT MARKINGS
886001-01	DETECTOR LOOP INSTALLATIONS

- BEFORE STARTING ANY EXCAVATION, THE CONTRACTOR SHALL CALL "J.U.L.I.E." AT (800) 892-0123 OR 811 FOR FIELD LOCATIONS OF BURIED ELECTRIC, TELEPHONE, AND GAS FACILITIES. (48 HOUR NOTIFICATION IS REQUIRED).
- THE CONTRACTOR SHALL COORDINATE CONSTRUCTION ACTIVITIES WITH UTILITY COMPANIES, AND THE VILLAGE OF GLENVIEW.
- THE CONTRACTOR WILL NOT BE ALLOWED TO SET UP A YARD OR FIELD OFFICE ON STATE (OR TOLLWAY) PROPERTY WITHOUT WRITTEN PERMISSION FROM THE DEPARTMENT (OR ISTHA).
- BEFORE BEGINNING ANY WORK, THE CONTRACTOR SHALL RETAIN AND RECORD FOR FUTURE REFERENCE, ALL EXISTING PAVEMENT MARKING LINES (AND RAISED REFLECTIVE PAVEMENT MARKERS) IN ORDER THAT THESE LOCATIONS CAN BE RE-ESTABLISHED FOR STRIPING. EXACT LOCATIONS OF ALL PAVEMENT MARKINGS SHALL BE AS DIRECTED BY THE ENGINEER.
- IT SHALL BE THE CONTRACTOR'S RESPONSIBILITY TO VERIFY ALL DIMENSIONS AND CONDITIONS EXISTING IN THE FIELD PRIOR TO CONSTRUCTION AND ORDERING OF MATERIALS.
- ALL DAMAGE TO EXISTING PAVEMENT MARKINGS OR RAISED REFLECTIVE PAVEMENT MARKERS OUTSIDE THE REMOVAL LINE SHOWN ON THE PLANS SHALL BE REPLACED AT THE CONTRACTOR'S EXPENSE.
- ALL PAVEMENT PATCHING, CURB AND GUTTER REMOVAL AND REPLACEMENT, DRAINAGE ADJUSTMENT LOCATIONS WILL BE DETERMINED IN THE FIELD BY THE ENGINEER.
- FRAMES AND GRATES ADJUSTMENT OF PRIVATE UTILITIES WITHIN THE LIMITS OF THE IMPROVEMENTS SHALL BE DONE BY THEIR RESPECTIVE OWNERS AND ARE NOT PART OF THIS CONTRACT.
- THE CONTRACTOR SHALL BE REQUIRED TO PROVIDE ACCESS TO ABUTTING PROPERTY AT ALL TIMES DURING THE CONSTRUCTION OF THIS PROJECT.
- DO NOT SCALE PLANS FOR CONSTRUCTION DIMENSIONS.
- TEN (10) FOOT TRANSITIONS SHALL BE USED TO MATCH PROPOSED CURB AND GUTTER AND MEDIAN ITEMS OF WORK TO EXISTING CURBS AND GUTTER AND MEDIANS IN THE FIELD, UNLESS OTHERWISE SHOWN. THE TRANSITIONS SHALL BE PAID FOR AT THE CONTRACT UNIT PRICE FOR THE PROPOSED ITEMS OF WORK SPECIFIED.
- WHEN THE MILLED PAVEMENT IS OPEN TO TRAFFIC THE MAXIMUM GRADE DIFFERENTIAL BETWEEN PASSES OF THE MILLING MACHINE SHALL NOT EXCEED 1 INCH WHERE THE SPEED LIMIT IS 40 MPH OR LESS AND 1 INCH WHERE THE SPEED LIMIT IS GREATER THAN 40 MPH, WITH WRITTEN APPROVAL OF THE ENGINEER, A MAXIMUM GRADE DIFFERENTIAL OF 3 INCHES MAY BE ALLOWED IF THE EDGE OF THE MILLING IS SLOPED A MINIMUM 1:3 (V:H) OR A NOTCHED LONGITUDINAL WEDGE IS USED.
- THE CONTRACTOR SHALL CONTACT THE DISTRICT ONE TRAFFIC CONTROL SUPERVISOR AT (847)705-4470 A MINIMUM OF 72 HOURS IN ADVANCE OF BEGINNING WORK.
- THE ENGINEER SHALL CONTACT CORY JUICIUS, ARTERIAL TRAFFIC FIELD ENGINEER AT CORY.JUICIUS@ILLINOIS.GOV A MINIMUM OF TWO (2) WEEKS TO THE PLACEMENT OF PERMANENT PAVEMENT MARKINGS.
- DOUBLE LANE MARKERS ARE TO BE USED AS SHOWN ON THE DISTRICT ONE DETAIL "TYPICAL APPLICATIONS - RAISED REFLECTIVE PAVEMENT MARKERS (SNOW-PLOW RESISTANT)" SHOWN IN THE PLANS.
- PAVEMENT MARKING TAPE, TYPE III SHALL BE USED FOR SHORT TERM PAVEMENT MARKINGS ON ALL FINAL SURFACES. THE COST OF THE PAVEMENT MARKING TAPE, TYPE III REMOVAL SHALL BE INCLUDED IN THE COST OF SHORT TERM PAVEMENT MARKING.
- BUTT JOINTS WILL BE INSTALLED AT THE ENDS OF ALL RESURFACING (WHERE RESURFACING MEETS EXISTING PAVEMENT) ACCORDING TO THE "BUTT JOINT AND HOT-MIX ASPHALT TAPER DETAILS" SHEET INCLUDED IN THE PLANS, UNLESS OTHERWISE SPECIFIED.
- EXISTING BROKEN FRAMES AND LIDS SHALL BE REMOVED AND DISPOSED OF BY THE CONTRACTOR AND SHALL BE REPLACED AS DIRECTED BY THE ENGINEER. REPLACEMENT FRAMES AND LIDS WILL BE PAID FOR ACCORDING TO ARTICLE 109.04 OF THE STANDARD UNLESS A SEPARATE PAY ITEM HAS BEEN PROVIDED.
- OVERNIGHT LANE CLOSURES SHALL NOT BE ALLOWED FOR REHABILITATION PROJECTS INVOLVING DAYTIME MILLING AND RESURFACING OPERATIONS AND CLASS D PATCHING UNLESS OTHER CONDITIONS WARRANT EXTENDED LANE CLOSURES AS DETERMINED AND APPROVED IN WRITING BY THE ENGINEER OR AS PROVIDED FOR IN THE CONTRACT SPECIFICATIONS.
- PROPOSED SIDEWALK RAMPS SHALL CONFORM TO CURRENT ADA REQUIREMENTS AND APPLICABLE STATE HIGHWAY STANDARDS OR AS DETERMINED BY THE ENGINEER.
- THE CONTRACTOR SHALL MAINTAIN PEDESTRIAN ACCESS AT ALL TIMES DURING CONSTRUCTION.
- LOCATIONS OF TREE CLEARING AND RESTORATION WITH SEEDING ARE APPROXIMATELY FROM STA 5+00 TO STA 10+00 ON THE SOUTH SIDE OF TOWER ROAD. CONTACT THE IDOT ROADSIDE DEVELOPMENT UNIT AT 847-705-4171 AT LEAST 2 WEEKS PRIOR TO THE BEGINNING OF WORK FOR LAYOUT.

FILE NAME =	USER NAME = akhatibaj	DESIGNED =	REVISED = 05-08-2017 A.E.	STATE OF ILLINOIS DEPARTMENT OF TRANSPORTATION	INDEX OF SHEETS, STATE STANDARDS, & GENERAL NOTES TOWER RD. (I-94 W. FRONTAGE RD. TO W/O FORESTWAY DR.)			F.A.U. RTE.	SECTION	COUNTY	TOTAL SHEETS	SHEET NO.
pw\NL084E810INTEG\Illinois.gov\PIWIDOT\Documents\IDOT Offices\District 1\Projects\01077\Drawings\Design\0107717-shr-gemnote.dwg	CHECKED =	REVISED =	REVISED =					1282	2016-076RS	COOK	21	2
Default	PLOT SCALE = 100.0000' / 1" =	REVISED =	REVISED =		CONTRACT NO. 62D68			ILLINOIS FED. AID PROJECT				
	PLOT DATE = 5/8/2017	DATE =	REVISED =		SCALE:	SHEET	OF	SHEETS	STA.	TO	STA.	

URBAN

URBAN

SUMMARY OF QUANTITIES			TOTAL QUANTITIES	CONSTRUCTION TYPE CODE				
CODE NO	ITEM	UNIT		80% FED 20% STATE 0005				
* 66900450	SPECIAL WASTE PLANS AND REPORTS	LSUM	1	1				
* 66900530	SOIL DISPOSAL ANALYSIS	EACH	1	1				
67000400	ENGINEER'S FIELD OFFICE, TYPE A	CAL MO	6	6				
67100100	MOBILIZATION	LSUM	1	1				
70102620	TRAFFIC CONTROL AND PROTECTION, STANDARD 701501	LSUM	1	1				
70102635	TRAFFIC CONTROL AND PROTECTION, STANDARD 701701	LSUM	1	1				
70102640	TRAFFIC CONTROL AND PROTECTION, STANDARD 701801	LSUM	1	1				
70300100	SHORT TERM PAVEMENT MARKING	FOOT	1785	1785				
70300150	SHORT TERM PAVEMENT MARKING REMOVAL	SO FT	1202	1202				
70300210	TEMPORARY PAVEMENT MARKING LETTERS AND SYMBOLS	SO FT	80	80				
70300220	TEMPORARY PAVEMENT MARKING - LINE 4"	FOOT	5767	5767				
70300240	TEMPORARY PAVEMENT MARKING - LINE 6"	FOOT	327	327				
70300260	TEMPORARY PAVEMENT MARKING - LINE 12"	FOOT	203	203				
70300280	TEMPORARY PAVEMENT MARKING - LINE 24"	FOOT	58	58				

SUMMARY OF QUANTITIES			TOTAL QUANTITIES	CONSTRUCTION TYPE CODE				
CODE NO	ITEM	UNIT		80% FED 20% STATE 0005				
70300520	PAVEMENT MARKING TAPE, TYPE 111 4"	FOOT	893	893				
* 78000100	THERMOPLASTIC PAVEMENT MARKING - LETTERS AND SYMBOLS	SO FT	80	80				
* 78000200	THERMOPLASTIC PAVEMENT MARKING - LINE 4"	FOOT	5767	5767				
* 78000400	THERMOPLASTIC PAVEMENT MARKING - LINE 6"	FOOT	327	327				
* 78000600	THERMOPLASTIC PAVEMENT MARKING - LINE 12"	FOOT	203	203				
* 78000650	THERMOPLASTIC PAVEMENT MARKING - LINE 24"	FOOT	58	58				
* 78008210	POLYUREA PAVEMENT MARKING TYPE I - LINE 4"	FOOT	2210	2210				
* 78008250	POLYUREA PAVEMENT MARKING TYPE I - LINE 12"	FOOT	96	96				
* 78100100	RAISED REFLECTIVE PAVEMENT MARKER	EACH	72	72				
78300200	RAISED REFLECTIVE PAVEMENT MARKER REMOVAL	EACH	72	72				
* 88600600	DETECTOR LOOP REPLACEMENT	FOOT	249	249				
X0320050	CONSTRUCTION LAYOUT (SPECIAL)	LSUM	1	1				

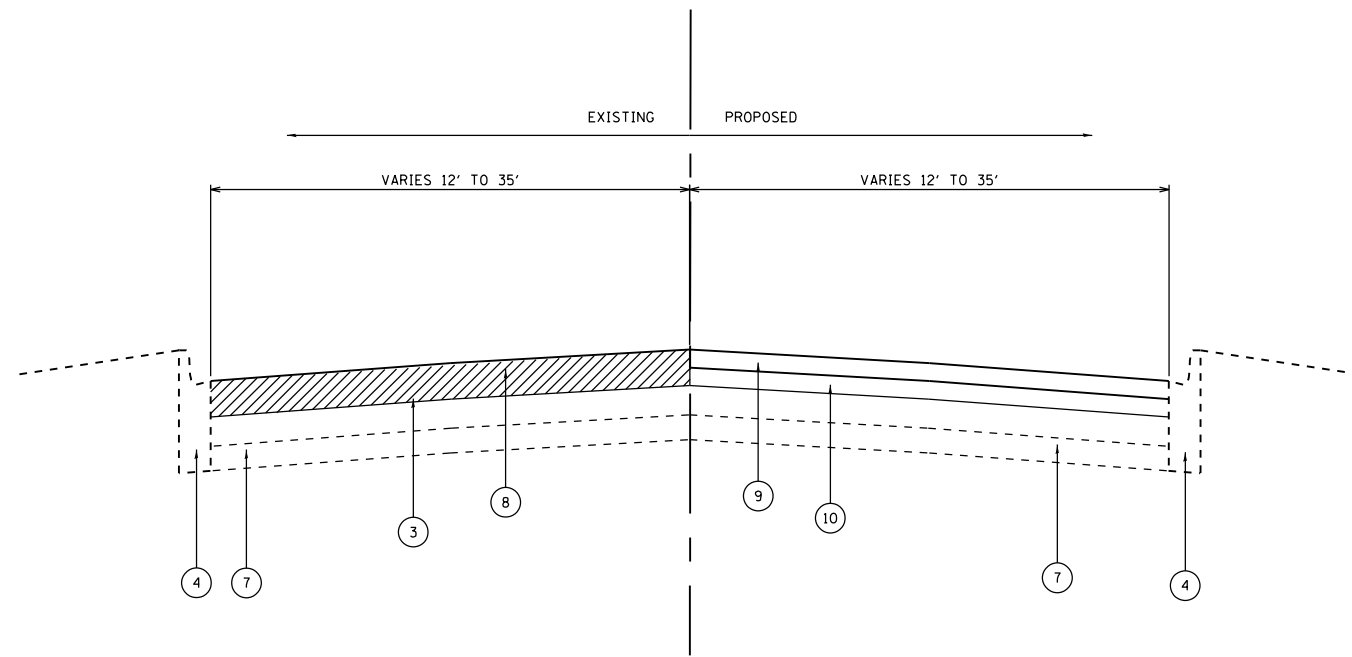
FILE NAME :	USER NAME : attho10a	DESIGNED -	REVISED -
D:\V\08\EBID\INTEG\Illinois\p\1007\Documents\1007	Offices\Director\Projects\010711\CADD\10\Design\010711	CHECKED -	REVISED -
	PLOT SCALE * 1000000 1/16"	DATE -	REVISED -
	PLOT DATE * 4/16/2017		

STATE OF ILLINOIS
DEPARTMENT OF TRANSPORTATION

SUMMARY OF QUANTITIES			
TOWER RD. (I-94 W. FRONTAGE RD. TO W/O FORESTWAY DR.)			
SCALE:	SHEET NO. OF SHEETS	STA.	TO STA.

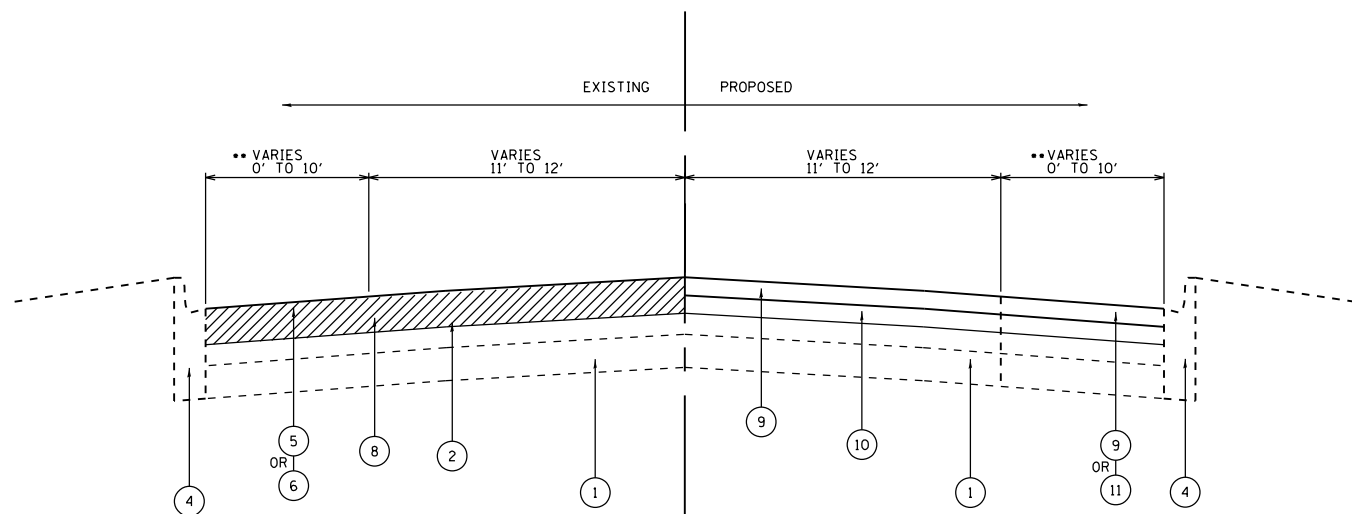
F.A.U. RTE.	SECTION	COUNTY	TOTAL SHEETS	SHEET NO.
1282	2016-076RS	COOK	21	4
FED. ROAD DIST. NO. 1 ILLINOIS FED. AID PROJECT			CONTRACT NO. 62D68	

* Specialty Item



TOWER RD
STA 0+57 TO STA 2+67.8

** AT LOCATIONS OF EXISTING
HMA OR AGGREGATE SHOULDER
(WITHOUT C&G) - LEFT OR RIGHT



TOWER RD
STA 5+99.8 TO STA 13+17.1
STA 15+88.7 TO STA 23+24

LEGEND:

- ① EXISTING PCC BASE COURSE, ± 8"
- ② EXISTING HMA SURFACE, ± 4 "
- ③ EXISTING HMA SURFACE COURSE, ± 14"
- ④ EXISTING COMBINATION CURB AND GUTTER, TYPE B.6-12
- ⑤ EXISTING AGGREGATE SHOULDER
- ⑥ EXISTING HMA SHOULDER
- ⑦ EXISTING GRANULAR SUB BASE 4", TYPE B
- ⑧ PROPOSED HMA SURFACE REMOVAL 2 1/4"
- ⑨ PROPOSED HMA SURFACE COURSE, MIX "D", N50, 1 1/2"
- ⑩ PROPOSED POLYMERIZED LEVELING BINDER (MM), IL-4.75, N50, 3/4"
- ⑪ PROPOSED AGGREGATE WEDGE SHOULDERS, TYPE B

NOTES:

1. THE CONTRACTOR SHALL MILL FIRST BEFORE PATCHING BETWEEN STA. 0+18.3 TO STA 2+67.8
2. THE CONTRACTOR SHALL MILL PATCH FIRST BEFORE MILLING BETWEEN STA. 5+99.8 TO STA 13+17.1 AND STA 15+88.7 TO STA 23+24

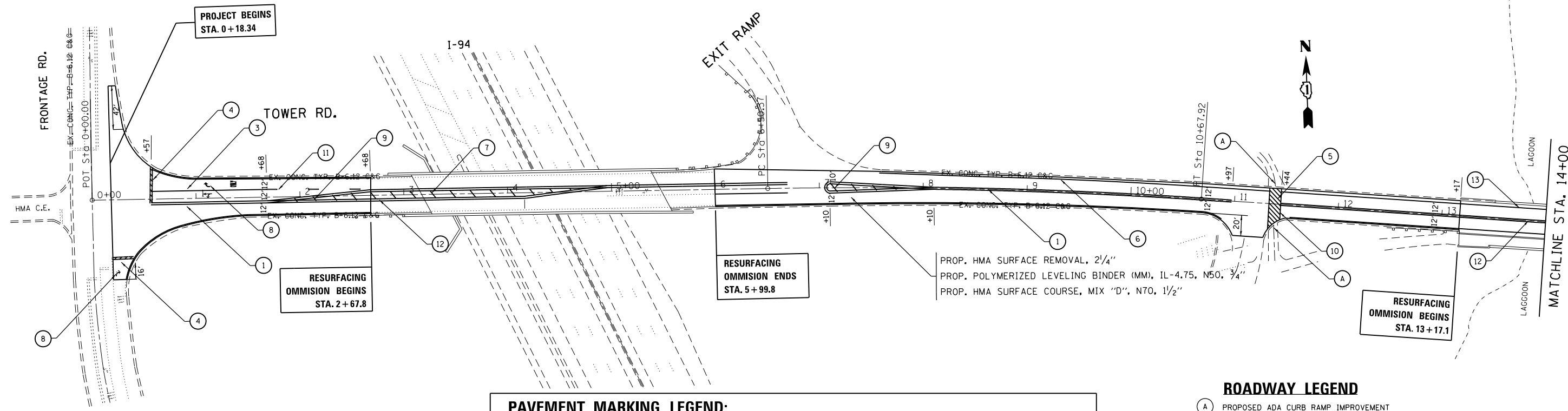
HOT-MIX ASPHALT MIXTURE REQUIREMENTS			
MIXTURE USES	MIXTURE TYPE	AIR VOIDS @ Ndes	QUALITY MANAGEMENT PROGRAM (QMP)
PAVEMENT RESURFACING	HMA SURFACE COURSE, MIX "D", N70, (IL 9.5 MM); 1 1/2"	4% @ 70 GYR.	QC/OA
	POLYMERIZED LEVELING BINDER (MM), IL-4.75, N50, 3/4"	3.5% @ 50 GYR.	QC/OA
PATCHING	CLASS D PATCHES (HMA BINDER IL-19 mm)	4% @ 70 GYR	QC/OA
	HOT-MIX ASPHALT REPLACEMENT OVER PATCHES (HMA BINDER IL-19 mm)	4% @ 70 GYR	QC/OA
BIKE PATH	HMA SURFACE COURSE, MIX "D", N70, (IL 9.5 MM); 2"	4% @ 70 GYR.	QC/OA
QMP DESIGNATION: QUALITY CONTROL/QUALITY ASSURANCE (QC/OA)			

NOTE 1: THE UNIT WEIGHT USED TO CALCULATE ALL HMA SURFACE MIXTURE QUANTITIES IS 112 LBS/SQ YD/IN.

NOTE 2: FOR USE OF RECYCLED MATERIALS SEE DISTRICT ONE SPECIAL PROVISIONS.

QUALITY MANAGEMENT PROGRAM (QMP) IDENTIFIES THE PARTICULAR QUALITY CONTROL SPECIFICATION THAT APPLIES TO THE HMA MIXTURE.

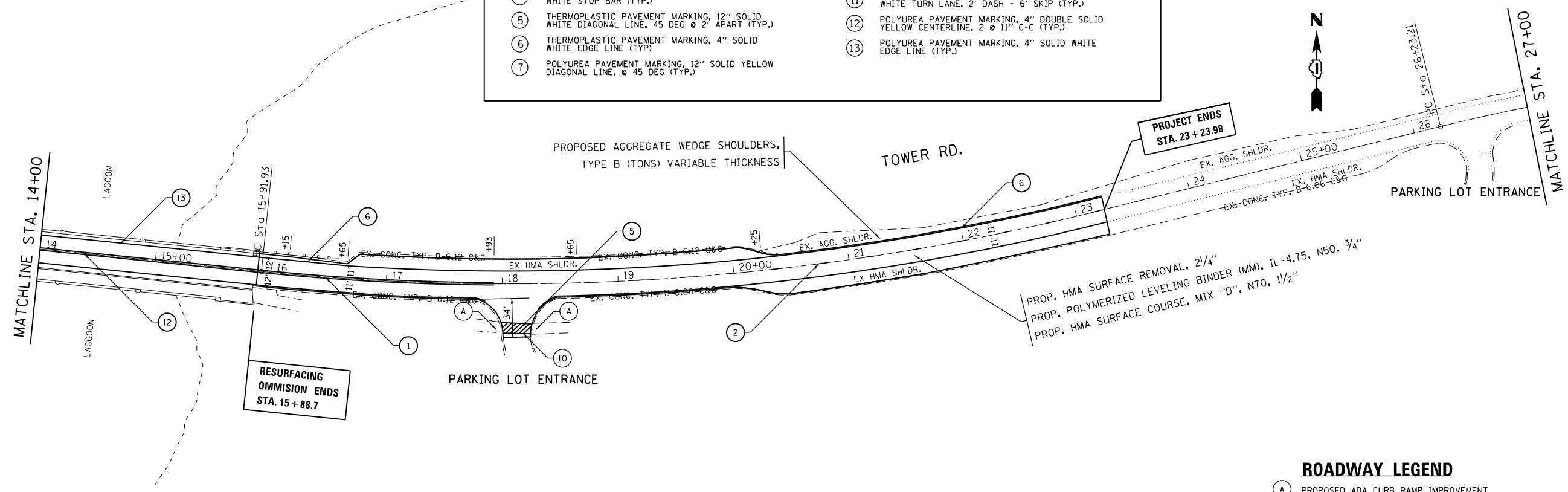
THE AC TYPE FOR POLYMERIZED HMA MIXES SHALL BE "SBS/SBR PG 76-22" AND FOR NON-POLYMERIZED HMA THE "AC TYPE" SHALL BE "PG 64-22" UNLESS MODIFIED BY DISTRICT ONE SPECIAL PROVISIONS"



PAVEMENT MARKING LEGEND:

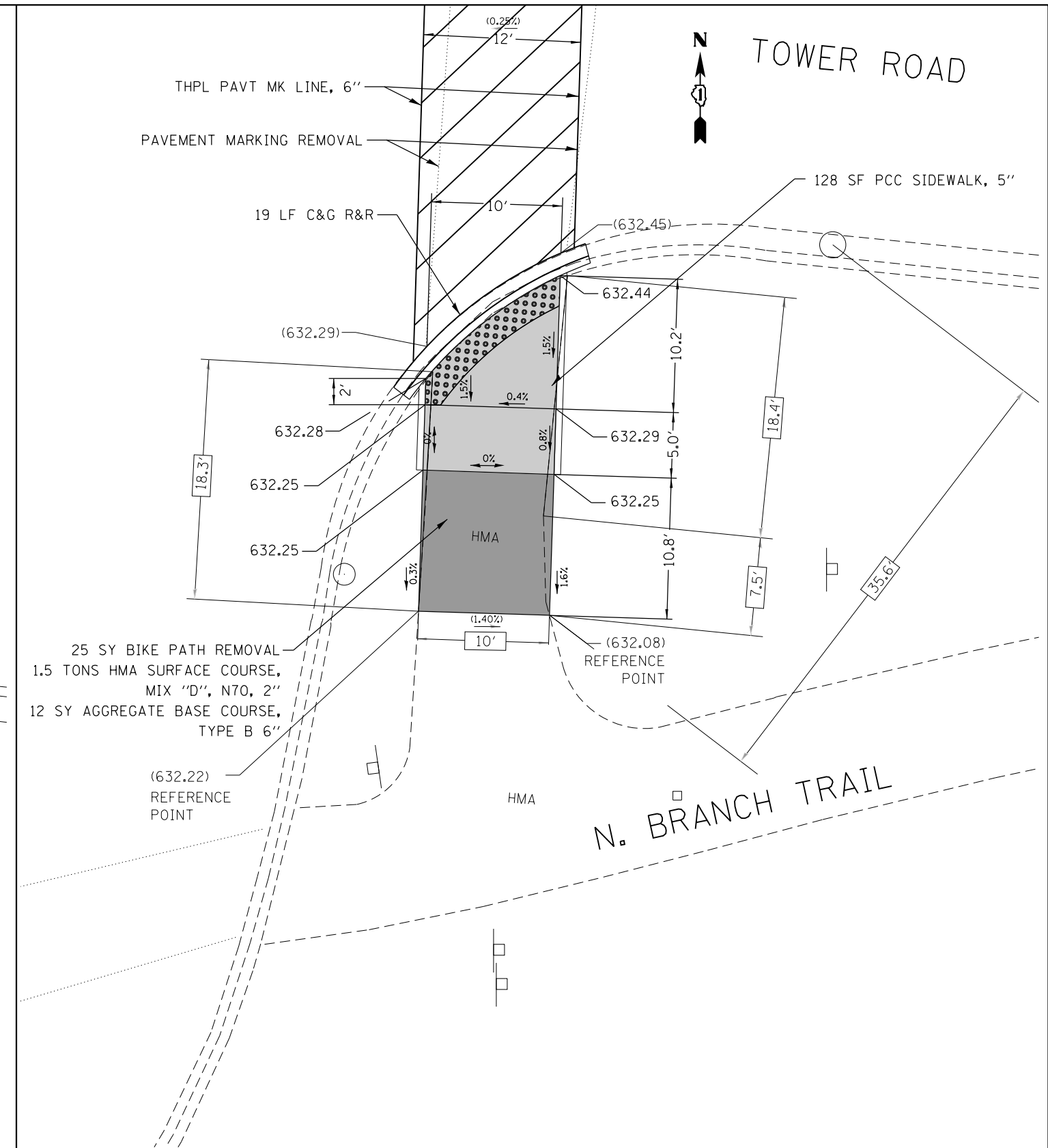
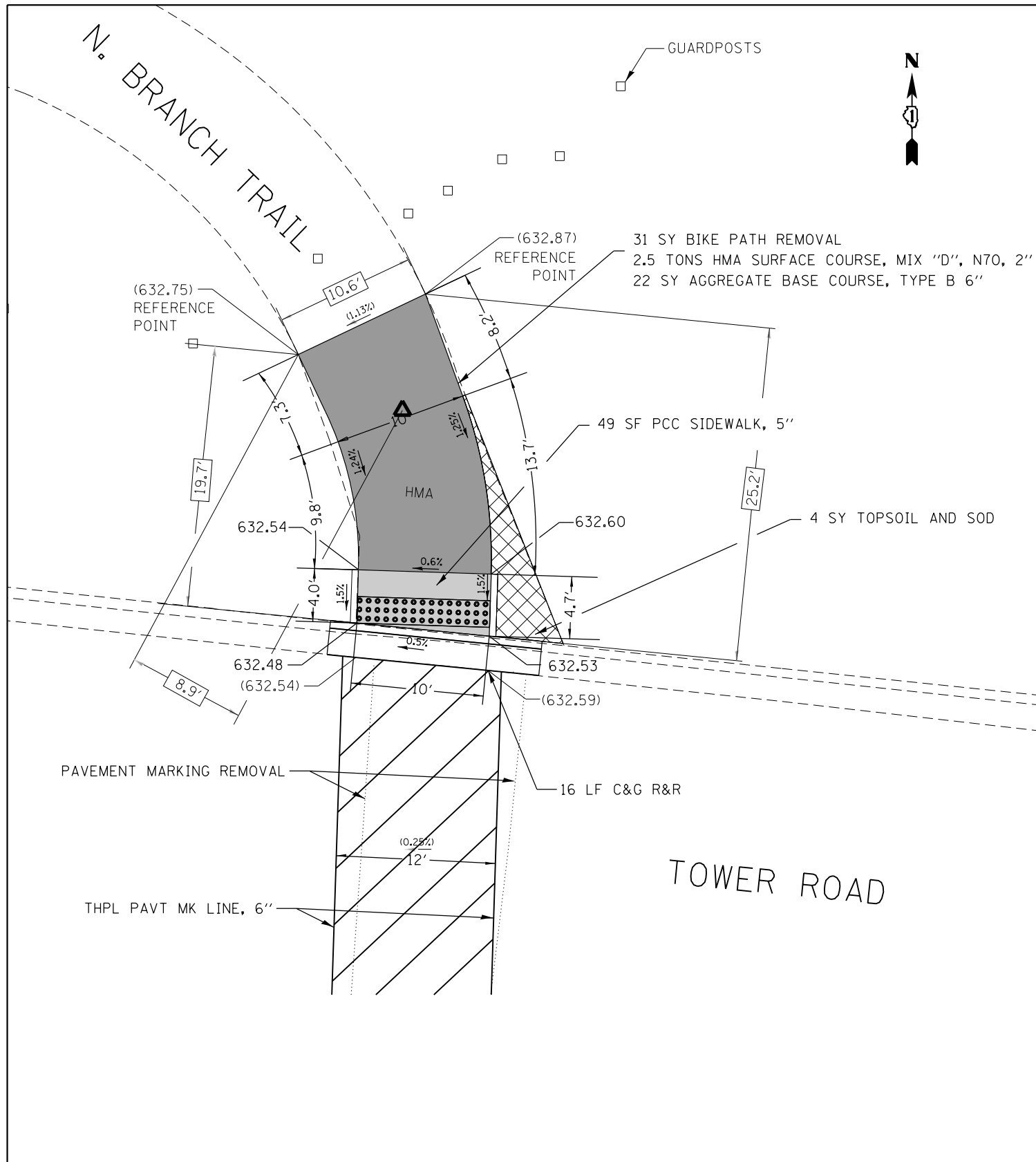
① THERMOPLASTIC PAVEMENT MARKING, 4" DOUBLE SOLID YELLOW CENTERLINE, 2 @ 11" C-C (TYP.)	⑧ THERMOPLASTIC PAVEMENT MARKING, LETTERS & SYMBOLS, SOLID WHITE (TYP.)
② THERMOPLASTIC PAVEMENT MARKING, 4" SKIP-DASH YELLOW LANE LINE, 10' DASH - 30' SKIP (TYP.)	⑨ THERMOPLASTIC PAVEMENT MARKING, 12" SOLID YELLOW DIAGONAL LINE, @ 45 DEG (TYP.)
③ THERMOPLASTIC PAVEMENT MARKING, 6" SOLID WHITE TURN LANE LINE (TYP.)	⑩ THERMOPLASTIC PAVEMENT MARKING, 6" SOLID WHITE CROSSWALK LINE (TYP.)
④ THERMOPLASTIC PAVEMENT MARKING, 24" SOLID WHITE STOP BAR (TYP.)	⑪ THERMOPLASTIC PAVEMENT MARKING, 6" SKIP-DASH WHITE TURN LANE, 2' DASH - 6' SKIP (TYP.)
⑤ THERMOPLASTIC PAVEMENT MARKING, 12" SOLID WHITE DIAGONAL LINE, 45 DEG @ 2' APART (TYP.)	⑫ POLYUREA PAVEMENT MARKING, 4" DOUBLE SOLID YELLOW CENTERLINE, 2 @ 11" C-C (TYP.)
⑥ THERMOPLASTIC PAVEMENT MARKING, 4" SOLID WHITE EDGE LINE (TYP.)	⑬ POLYUREA PAVEMENT MARKING, 4" SOLID WHITE EDGE LINE (TYP.)
⑦ POLYUREA PAVEMENT MARKING, 12" SOLID YELLOW DIAGONAL LINE, @ 45 DEG (TYP.)	

ROADWAY LEGEND
 (A) PROPOSED ADA CURB RAMP IMPROVEMENT



ROADWAY LEGEND
 (A) PROPOSED ADA CURB RAMP IMPROVEMENT

FILE NAME =	USER NAME = elkhatabaj	DESIGNED -	REVISED -	STATE OF ILLINOIS DEPARTMENT OF TRANSPORTATION	ROADWAY PLAN TOWER RD. (I-94 W. FRONTAGE RD. TO W/O FORESTWAY DR.)			F.A.U. R.E. =	SECTION	COUNTY	TOTAL SHEETS	SHEET NO.
pw:\IL\084EBIDINTEG\illinois.gov\PWIDOT\Documents\DOT Offices\District 1\Projects\DI07717\shd-plen.dgn		CHECKED -	REVISED -		1282	2016-076RS	COOK	21	7			
PLOT SCALE = 100.0000' / in.		DATE -	REVISED -		SCALE: 1"=50'			SHEET OF SHEETS STA. 0+29.7 TO STA. 27+00			CONTRACT NO. 62D68	
Default		PLOT DATE = 4/6/2017	REVISED -		ILLINOIS FED. AID PROJECT							



REFERENCE BENCHMARK ELEV 634.093

BENCHMARK : CROSS CUT ON TOP OF CURB JUST WEST OF THE BRIDGE JOINT

LOCATION : JUST W/O THE WEST JOINT OF THE BRIDGE OVER SKOKIE LAGOONS

LEGEND

xx.xx'	EXISTING LENGTH		DETECTABLE WARNINGS		PROPOSED SIDEWALK
	PROPOSED SIDE CURB		BIKEPATH REMOVAL REPLACE W/TOPSOIL & SOD		PROPOSED BIKEPATH
()	EXISTING ELEVATION/SLOPE				

REFERENCE BENCHMARK ELEV 634.093

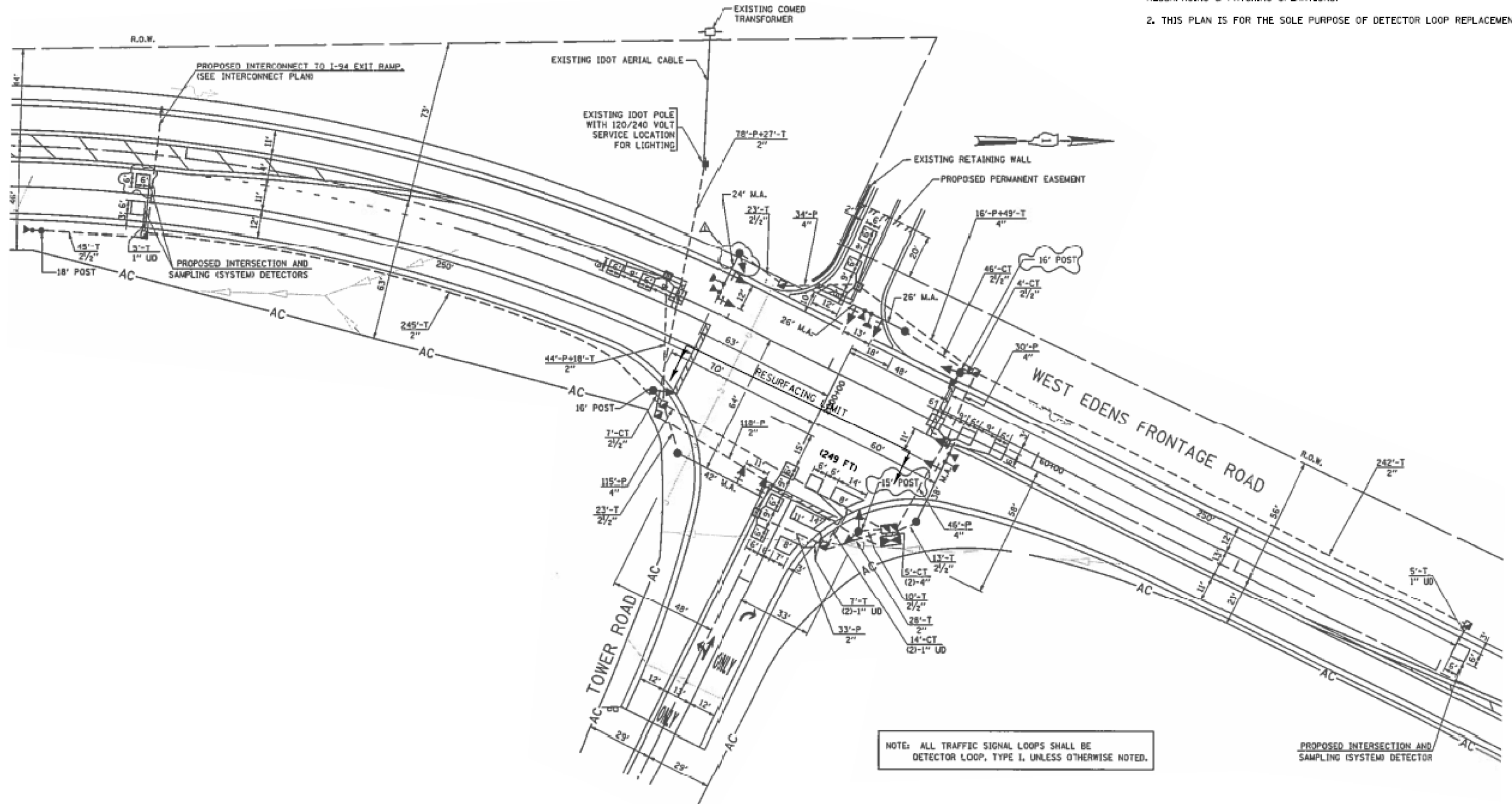
BENCHMARK : CROSS CUT ON TOP OF CURB JUST WEST OF THE BRIDGE JOINT

LOCATION : JUST W/O THE WEST JOINT OF THE BRIDGE OVER SKOKIE LAGOONS

FILE NAME =	USER NAME = elkhatabaj	DESIGNED -	REVISED - 05-08-2017 A.E.	STATE OF ILLINOIS DEPARTMENT OF TRANSPORTATION	SIDEWALK DETAIL PLAN TOWER RD. (I-94 W. FRONTAGE RD. TO W/O FORESTWAY DR.)	F.A.U. R.E.	SECTION	COUNTY	TOTAL SHEETS	SHEET NO.
						1282	2016-076R5	COOK	21	8
						CONTRACT NO. 62D68				
Default	PLOT SCALE = 10.0000' / in.	CHECKED -	REVISED -	SCALE:	SHEET	OF	SHEETS	STA.	TO	STA.
	PLOT DATE = 5/8/2017	DATE -	REVISED -	ILLINOIS FED. AID PROJECT						

NOTES:

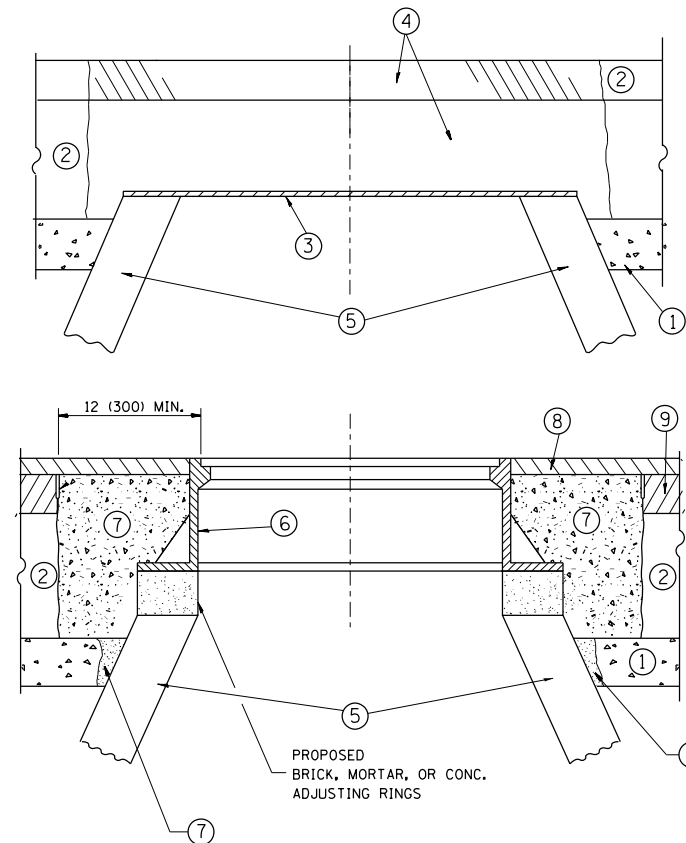
1. WORK SHALL MEET THE REQUIREMENTS OF THE SPECIAL PROVISION, "DETECTOR LOOP REPLACEMENT AND/OR INSTALLATION (ROADWAY GRINDING, RESURFACING & PATCHING OPERATIONS).
2. THIS PLAN IS FOR THE SOLE PURPOSE OF DETECTOR LOOP REPLACEMENT.



**REPLACE ALL DETECTOR LOOPS AS SHOWN
(WITHIN THE RESURFACING LIMITS)**

CODE	ITEM	QUANTITY	UNIT
88600600	DETECTOR LOOP REPLACEMENT	249	FOOT

FILE NAME =	USER NAME = elkhatabej	DESIGNED -	REVISED -	STATE OF ILLINOIS DEPARTMENT OF TRANSPORTATION	DETECTOR LOOP REPLACEMENT PLAN TOWER RD. (I-94 W. FRONTAGE RD. TO W/O FORESTWAY DR.)	F.A.U. RTE.	SECTION	COUNTY	TOTAL SHEETS	SHEET NO.
pw\11084EBIDINTEG\illinois.gov\PIWIDOT\Documents\IDOT Offices\District 1\Projects\DI0777\Drawings\Design\DI077717-sht-details.dgn		CHECKED -	REVISED -			1282	2016-076R5	COOK	21	9
PLOT SCALE = 100.0000' / in.		DATE -	REVISED -			CONTRACT NO. 62D68				
Default						ILLINOIS FED. AID PROJECT				



CONSTRUCTION PROCEDURES

STAGE 1 (BEFORE PAVEMENT MILLING)

- A) REMOVE A MINIMUM OF 12 (300) OF THE PAVEMENT FROM AROUND THE STRUCTURE.
- B) REMOVE THE EXISTING FRAME AND LID FROM THE STRUCTURE.
- C) COVER THE STRUCTURE OPENING WITH A 36 (900) DIAMETER METAL PLATE.
- D) BACKFILL WITH CRUSHED STONE AND A MINIMUM 1/2 (40) THICK HMA SURFACE MIX APPROVED BY THE ENGINEER.

STAGE 2 (AFTER PAVEMENT MILLING)

- A) REMOVE THE HMA SURFACE MIX AND CRUSHED STONE.
- B) INSTALL THE FRAME AND LID; ADJUST THE FRAME TO ITS FINAL SURFACE ELEVATION.
- C) THE SURROUNDING SPACE SHALL BE FILLED WITH CLASS PP-1* CONCRETE TO THE ELEVATION OF THE SURFACE OF THE EXISTING BASE COURSE OR THE BINDER COURSE.

* UNLESS OTHERWISE SPECIFIED IN THE PLANS.

THE PROCEDURE EXPLAINED ABOVE SHALL CONFORM TO THE APPLICABLE PORTIONS OF SECTIONS 353, 406, 602, AND 603 OF THE STANDARD SPECIFICATIONS EXCEPT THAT "THE CONTRACTOR SHALL ADJUST THE STRUCTURES TO THE FINISHED PAVEMENT ELEVATION NO MORE THAN 5 CALENDAR DAYS PRIOR TO PLACEMENT OF THE FINAL LIFT OF SURFACE UNLESS APPROVED BY THE ENGINEER."

LEGEND

- ① SUB-BASE GRANULAR MATERIAL
- ② EXISTING PAVEMENT
- ③ 36 (900) DIAMETER METAL PLATE
- ④ PROPOSED CRUSHED STONE AND HMA SURFACE MIX
- ⑤ EXISTING STRUCTURE
- ⑥ FRAME AND LID (SEE NOTES)
- ⑦ CLASS PP-1* CONCRETE
- ⑧ PROPOSED HMA SURFACE COURSE
- ⑨ PROPOSED HMA BINDER COURSE

LOCATION OF STRUCTURES:

THE CONTRACTOR WILL BE REQUIRED TO KEEP A RECORD OF THE LOCATIONS OF THE BURIED STRUCTURES ACCORDING TO THE STATION AND DISTANCE LEFT OR RIGHT OF THE CENTERLINE OF PAVEMENT. UPON COMPLETION OF THE WORK, THE CONTRACTOR WILL DELIVER THE RECORD TO THE ENGINEER.

BASIS OF PAYMENT:

REMOVING FRAMES AND LIDS ON DRAINAGE AND UTILITY STRUCTURES IN THE PAVEMENT PRIOR TO MILLING, AND ADJUSTING TO FINAL GRADE PRIOR TO PLACING THE SURFACE COURSE, WILL BE PAID FOR AT THE CONTRACT UNIT PRICE EACH FOR "FRAMES AND LIDS TO BE ADJUSTED (SPECIAL)."

THIS WORK WILL NOT BE PAID FOR WHEN DRAINAGE AND UTILITY STRUCTURES ARE SPECIFIED FOR PAYMENT AS STRUCTURE RECONSTRUCTION.

NEW FRAMES AND LIDS, WHEN SPECIFIED, WILL BE PAID FOR SEPARATELY.

NOTES:

EXISTING BROKEN FRAMES AND LIDS SHALL BE REMOVED AND DISPOSED OF BY THE CONTRACTOR AND SHALL BE REPLACED AS DIRECTED BY THE ENGINEER. REPLACEMENT FRAMES AND LIDS WILL BE PAID FOR IN ACCORDANCE WITH ARTICLE 109.04 OF THE STANDARD SPECIFICATIONS UNLESS A SEPARATE PAY ITEM HAS BEEN PROVIDED.

IF THE EXISTING LIDS ARE OPEN, THE FRAME WILL BE ADJUSTED TO THE ELEVATION OF THE MILLED PAVEMENT SURFACE PRIOR TO THE MILLING OPERATION. THE FRAME WILL NOT BE REMOVED AND COVERED BY THE METAL PLATE.

CITY OF CHICAGO CASTINGS ARE THE PROPERTY OF THE CITY AND THE CONTRACTOR SHALL NOTIFY THE CITY FOR REMOVAL AND DISPOSITION OF THE CASTINGS.

THE METAL PLATE USED TO COVER THE STRUCTURE SHALL REMAIN THE PROPERTY OF THE CONTRACTOR.

WHEN STRUCTURES ARE TO BE ADJUSTED OR RECONSTRUCTED, THE LOWERING AND RAISING OF THE FRAMES AND LIDS WILL NOT BE PAID FOR SEPARATELY BUT WILL BE INCLUDED IN THE COST OF THE CORRESPONDING PAY ITEM.

DETAILS FOR FRAMES AND LIDS ADJUSTMENT WITH MILLING

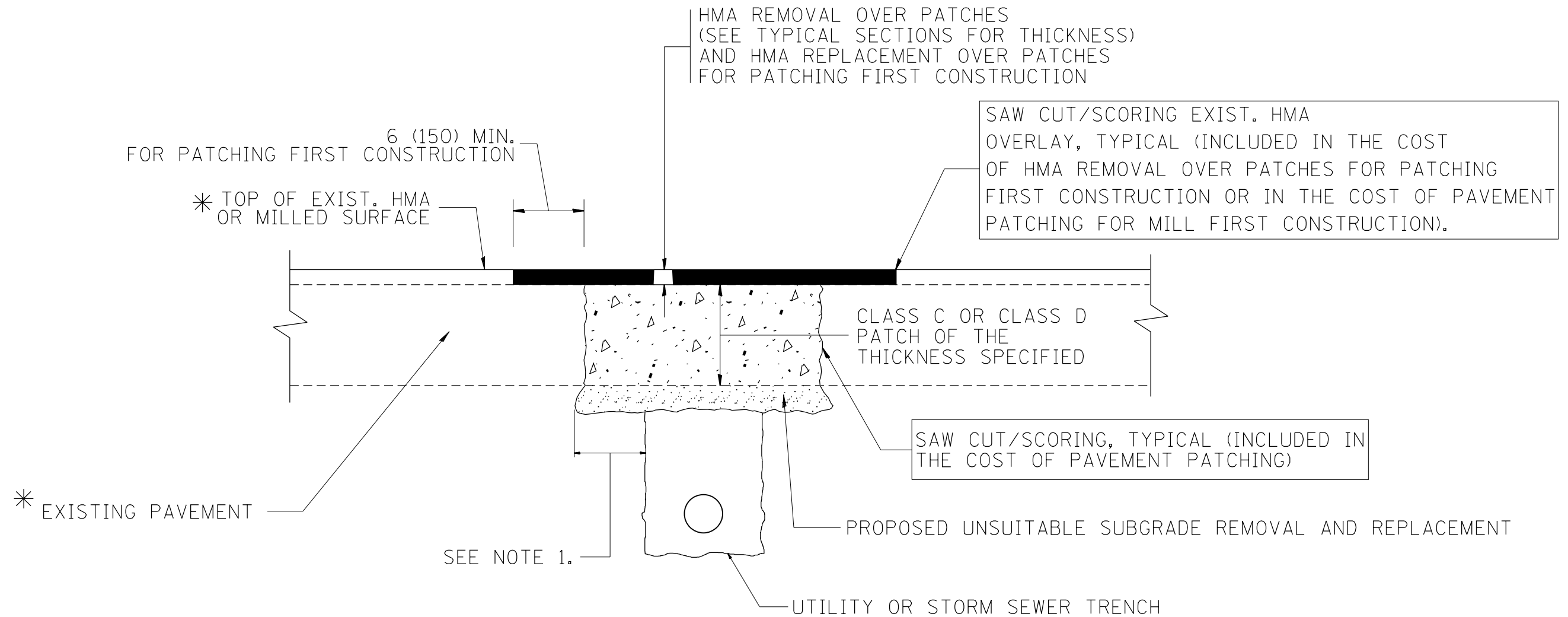
ALL DIMENSIONS ARE IN INCHES (MILLIMETERS) UNLESS OTHERWISE SHOWN

FILE NAME =	USER NAME = elkhatabaj	DESIGNED - R. SHAH	REVISED - R. WIEDEMAN 05-14-04
pw:\IL\084EBIDINTEG\illinois.gov\PIWIDOT\Documents\IDOT Offices\District 1\Projects\DI077\Drawings\Design\Diststd.dgn			REVISED - R. BORO 01-01-07
	PLOT SCALE = 100.0000' / 1in.	CHECKED -	REVISED - R. BORO 03-09-11
	PLOT DATE = 4/6/2017	DATE - 10-25-94	REVISED - R. BORO 12-06-11

**STATE OF ILLINOIS
DEPARTMENT OF TRANSPORTATION**

DETAILS FOR FRAMES AND LIDS ADJUSTMENT WITH MILLING			
SCALE: NONE	SHEET NO. 1 OF 1 SHEETS	STA.	TO STA.

F.A.U. RTE.	SECTION	COUNTY	TOTAL SHEETS	SHEET NO.
1282	2016-076RS	COOK	21	10
BD600-03 (BD-8)		CONTRACT NO. 62D68		
FED. ROAD DIST. NO. 1 ILLINOIS FED. AID PROJECT				



* SEE TYPICAL SECTIONS FOR THICKNESS AND MATERIALS

NOTES:

1. THE WIDTH OF THE FULL DEPTH PATCH OVER A TRENCH SHALL BE 12 (300) WIDER ON EACH SIDE OF THE TRENCH.
2. FOR METHOD OF MEASUREMENT AND BASIS OF PAYMENT, SEE RECURRING SPECIAL PROVISION "PATCHING WITH HOT-MIX ASPHALT OVERLAY REMOVAL".

SEQUENCE OF CONSTRUCTION (PATCHING FIRST)

1. REMOVE THE EXISTING HMA MATERIAL OVER THE AREA TO BE PATCHED.
2. REMOVE AND REPLACE WITH CLASS C OR D PATCH.
3. REPLACE HMA MATERIAL OVER THE AREA TO BE PATCHED.

SEQUENCE OF CONSTRUCTION (MILLING FIRST)

1. MILL HMA FIRST IF THERE IS AT LEAST 4 1/2 INCHES OR MORE OF HMA MATERIAL ON TOP OF THE EXISTING PAVEMENT OR IF THE PAVEMENT IS FULL DEPTH HMA. A MINIMUM OF 2 INCHES OF HMA MATERIAL SHALL BE IN PLACE AFTER MILLING.
2. REMOVE AND REPLACE WITH FULL DEPTH CLASS D PATCHES TO TOP OF MILLED SURFACE.

ALL DIMENSIONS ARE IN INCHES (MILLIMETERS) UNLESS OTHERWISE SHOWN.

FILE NAME =	USER NAME = elkhatibaj	DESIGNED - R. SHAH	REVISED - A. ABBAS 04-27-98	STATE OF ILLINOIS DEPARTMENT OF TRANSPORTATION	PAVEMENT PATCHING FOR HMA SURFACED PAVEMENT			F.A.U. RTE.	SECTION	COUNTY	TOTAL SHEETS	SHEET NO.
pw\ill084EBIDINTEG.illinois.gov\PIWIDOT\Documents\DOT Offices\District 1\Projects\DI077\Drawings\Design\Diststd.dgn	PLOT SCALE = 100.0000' / 1in.	CHECKED -	REVISED - R. BORO 01-01-07					1282	2016-076RS	COOK	21	11
PLOT DATE = 4/6/2017	DATE - 10-25-94	REVISED - R. BORO 09-04-07	REVISED - K. ENG 10-27-08		BD400-04 (BD-22)			CONTRACT NO. 62D68				
					SCALE: NONE	SHEET NO. 1 OF 1 SHEETS	STA.	TO STA.		FED. ROAD DIST. NO. 1 ILLINOIS FED. AID PROJECT		

VARIABLE - TO MEET EXISTING DIMENSIONS AND FIELD CONDITIONS (SEE NOTE ②)

PROP. CONC. CURB OR CURB AND GUTTER REPLACEMENT IN ACCORDANCE WITH STATE STANDARD 606001. (SEE NOTE ②)

SAW CUT FULL DEPTH - INCLUDED IN THE COST OF SIDEWALK, DRIVEWAY OR MEDIAN SURFACE REMOVAL PAY ITEM.

SEE STATE STANDARD 606001
EXISTING OR PROPOSED HMA SURFACE (IF APPLICABLE)

18" (450) MAX.

1/4" (5) **

EXISTING SIDEWALK, DRIVEWAY, MEDIAN SURFACE, SOD OR GROUND.

PROPOSED SIDEWALK, DRIVEWAY PAVEMENT, MEDIAN SURFACE OR SODDING SALT TOLERANT WITH TOP SOIL, 4" (100) SOD RESTORATION (SEE NOTE ①).

EXISTING CONCRETE PAVEMENT, CONCRETE BASE COURSE OR FLEXIBLE PAVEMENT

3" (75) MIN.

SUITABLE BACKFILL MATERIAL (INCLUDED IN THE COST OF CURB OR CURB AND GUTTER REMOVAL AND REPLACEMENT)

PROPOSED 3/4" (20) PREFORMED EXPANSION JOINT AT CONCRETE SIDEWALKS, DRIVEWAYS, AND MEDIANS. (INCLUDED IN THE COST OF CURB OR CURB AND GUTTER REMOVAL AND REPLACEMENT.)

* 3" (75) MINIMUM FROM TOP AND BOTTOM OF THE CONCRETE PAVEMENT OR BASE COURSE.

** IF THE FINAL SURFACE OF THE PAVEMENT IS CONCRETE, THE GUTTER IS TO BE FLUSH WITH THE PAVEMENT.

UNSUITABLE SUB-BASE MATERIAL TO BE REMOVED, IF DIRECTED BY THE ENGINEER, SHALL BE REPLACED WITH EITHER SUB-BASE GRANULAR MATERIAL, TYPE B OR ADDITIONAL THICKNESS OF CONCRETE.

REMOVAL AND REPLACEMENT 4" (100) OR LESS IS INCLUDED IN THE COST OF CURB OR CURB AND GUTTER REMOVAL AND REPLACEMENT.

REMOVAL AND REPLACEMENT IN EXCESS OF 4" (100) WILL BE PAID FOR IN ACCORDANCE WITH ARTICLE 109.04 OF THE STANDARD SPECIFICATIONS.

NOTE: ① SIDEWALK, DRIVEWAY PAVEMENT OR MEDIAN SURFACE SHALL BE SIMILAR TO THE MATERIAL BEING REMOVED AND WILL BE PAID FOR SEPARATELY.

SODDING, SALT TOLERANT AND TOP SOIL, FURNISH AND PLACE 4" WILL BE PAID FOR SEPARATELY.

② FERTILIZER FOR THE PLACEMENT OF THE SOD IS NOT REQUIRED

③ CURB OR CURB AND GUTTER REPLACEMENT SHALL MATCH THE SHAPE OF THE EXISTING CURB OR CURB AND GUTTER UNLESS OTHERWISE SPECIFIED.

④ FOR CURB OR CURB AND GUTTER REMOVAL AND REPLACEMENT ADJACENT TO FLEXIBLE PAVEMENT DELETE EPOXY COATED TIE BARS.

⑤ LONGITUDINAL BARS, IF ENCOUNTERED IN THE EXISTING CURB OR CURB AND GUTTER, ARE NOT TO BE REPLACED. CUTTING AND REMOVING LONGITUDINAL BARS SHALL BE INCLUDED IN THE COST OF CURB OR CURB AND GUTTER REMOVAL AND REPLACEMENT.

⑥ THE COST OF HMA SURFACE REMOVAL IN THE EXISTING GUTTER FLAG SHALL BE INCLUDED IN THE COST OF THE CURB AND GUTTER REMOVAL AND REPLACEMENT.

⑦ THE REMOVAL AND REPLACEMENT OF THE EXISTING CURB OR CURB AND GUTTER SHALL BE DONE IN ACCORDANCE WITH THE APPLICABLE PORTIONS OF SECTION 440 AND 606 OF THE STANDARD SPECIFICATIONS.

⑧ THE LOCATIONS OF REMOVAL AND REPLACEMENT OF EXISTING CURB OR CURB AND GUTTER SHALL BE DETERMINED BY THE RESIDENT ENGINEER AT THE TIME OF CONSTRUCTION.

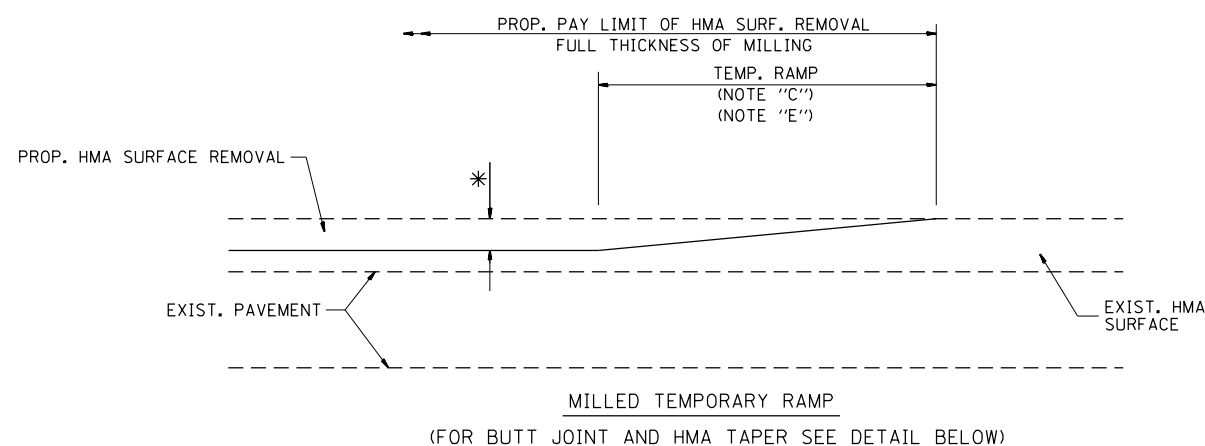
PROPOSED #6 (20) EPOXY COATED TIE BARS 24" (600) LONG AT 24" (600) CENTERS WILL NOT BE PAID FOR SEPARATELY. DELETE EPOXY COATED TIE BARS IF EXISTING TIE BARS ARE USABLE AS DETERMINED BY THE ENGINEER. (SEE NOTE ③).

BASIS OF PAYMENT:
THIS WORK WILL BE PAID FOR AT THE CONTRACT UNIT PRICE PER FOOT (METER) FOR "CURB REMOVAL AND REPLACEMENT" OR "COMBINATION CONCRETE CURB AND GUTTER REMOVAL AND REPLACEMENT".

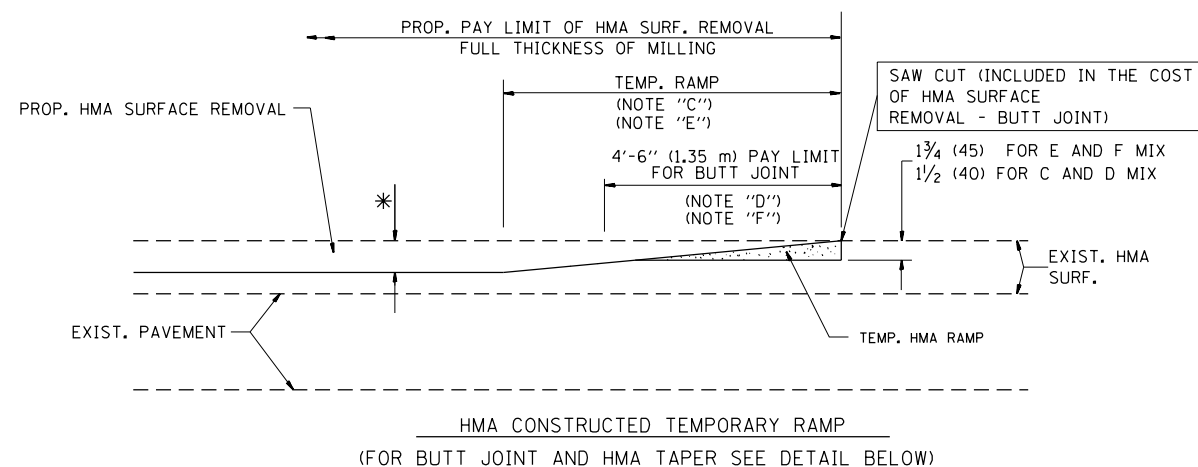
CURB OR CURB AND GUTTER REMOVAL AND REPLACEMENT

ALL DIMENSIONS ARE IN INCHES (MILLIMETERS) UNLESS OTHERWISE SHOWN.

FILE NAME =	USER NAME = elkhatabaj	DESIGNED - A. HOUSEH	REVISED - R. SHAH 10-03-96	STATE OF ILLINOIS DEPARTMENT OF TRANSPORTATION	CURB OR CURB AND GUTTER REMOVAL AND REPLACEMENT	F.A.U. RTE.	SECTION	COUNTY	TOTAL SHEETS	SHEET NO.
pw\11084EBIDINTEG.illinois.gov\PIWIDOT\Documents\DOT Offices\District 1\Projects\DI077\Drawings\Design\Diststd.dgn		REVISIONS	REVISIONS			1282	2016-076RS	COOK	21	12
PLOT SCALE = 100.0000' / 1".	CHECKED -	REVISIONS	REVISIONS			BD600-06 (BD-24)		CONTRACT NO. 62D68		
PLOT DATE = 4/6/2017	DATE - 03-11-94	REVISIONS	REVISIONS			FED. ROAD DIST. NO. 1 ILLINOIS FED. AID PROJECT				

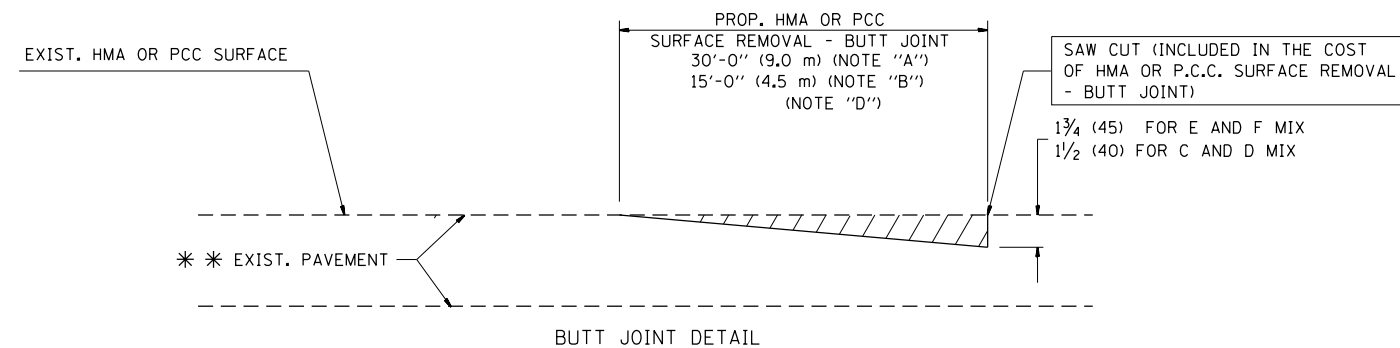


OPTION 1

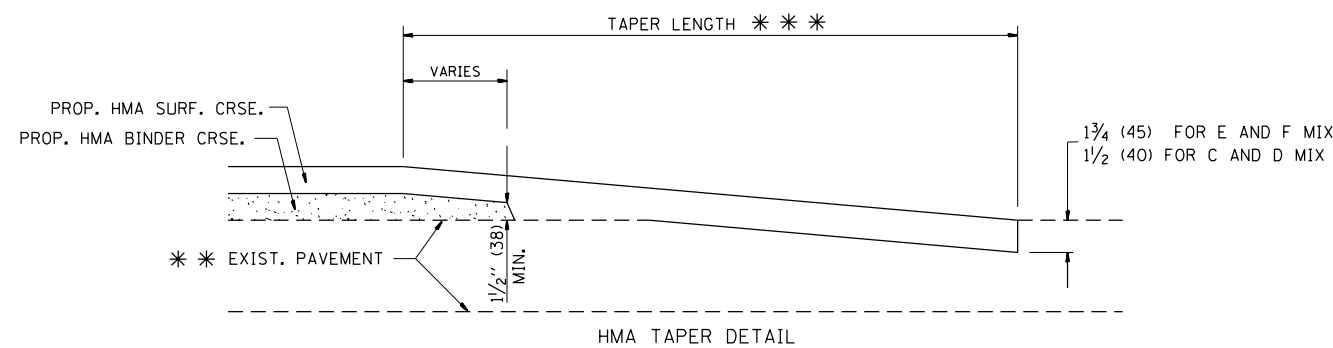


OPTION 2

TYPICAL TEMPORARY RAMP



BUTT JOINT DETAIL



HMA TAPER DETAIL

TYPICAL BUTT JOINT AND HMA TAPER FOR RESURFACING ONLY

** PC CONCRETE, HMA OR HMA RESURFACED PAVEMENT.

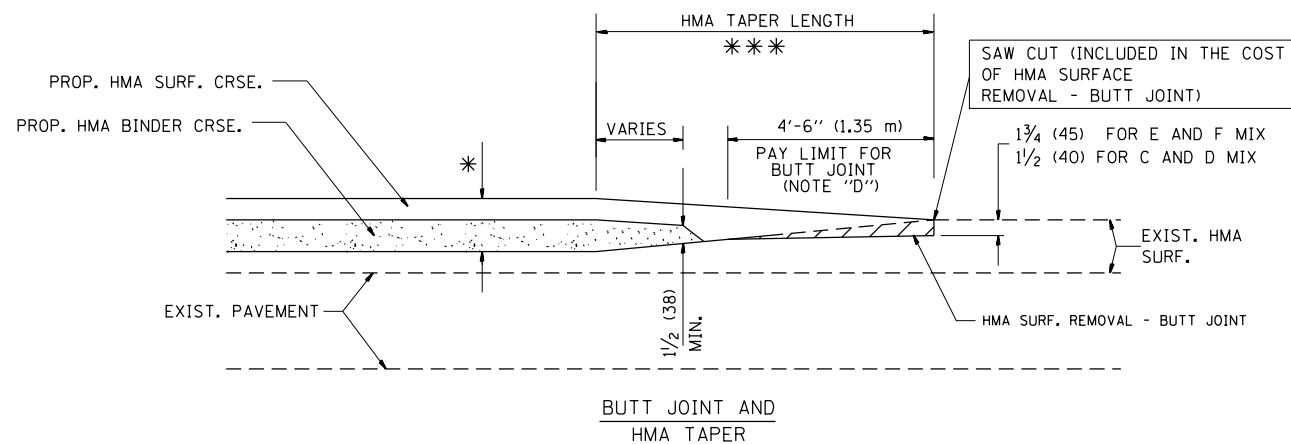
NOTES

- A: MAINLINE ROADWAYS AND MAJOR SIDE ROADS.
 - B: MINOR SIDE ROADS.
 - C: THE TEMP. RAMP SHALL BE CONSTRUCTED IMMEDIATELY UPON REMOVAL OF THE EXISTING HMA SURFACE.
 - D: THE BUTT JOINT SHALL BE CONSTRUCTED IMMEDIATELY PRIOR TO PLACING THE PROPOSED HMA COURSES.
 - E: TAPER THE TEMP. RAMP AT A RATE OF 3'-0" (900 mm) PER 1 INCH (25 mm) OF MILLING THICKNESS.
 - F: INSTALLATION AND REMOVAL OF THE 4'-6" (1.35 m) TEMP. RAMP IS INCLUDED IN COST OF HMA SURFACE REMOVAL - BUTT JOINT
 - G: SEE ARTICLE 406.08 AND 406.14 OF THE STANDARD SPECIFICATIONS FOR "HMA AND/OR PCC SURFACE REMOVAL, BUTT JOINT".
- * SEE TYPICAL SECTIONS FOR MILLING THICKNESS.
- *** 20'-0" (6.1 m) PER 1 (25) RESURFACING (NOTE "A")
10'-0" (3.0 m) PER 1 (25) RESURFACING (NOTE "B")

BASIS OF PAYMENT:

THE BUTT JOINT WILL BE PAID FOR AT THE CONTRACT UNIT PRICE PER SQUARE YARD (SQUARE METER) FOR "HOT-MIX ASPHALT SURFACE REMOVAL - BUTT JOINT" OR FOR "PORTLAND CEMENT CONCRETE SURFACE REMOVAL - BUTT JOINT".

ALL DIMENSIONS ARE IN INCHES (MILLIMETERS) UNLESS OTHERWISE SHOWN.



TYPICAL BUTT JOINT AND HMA TAPER FOR MILLING AND RESURFACING

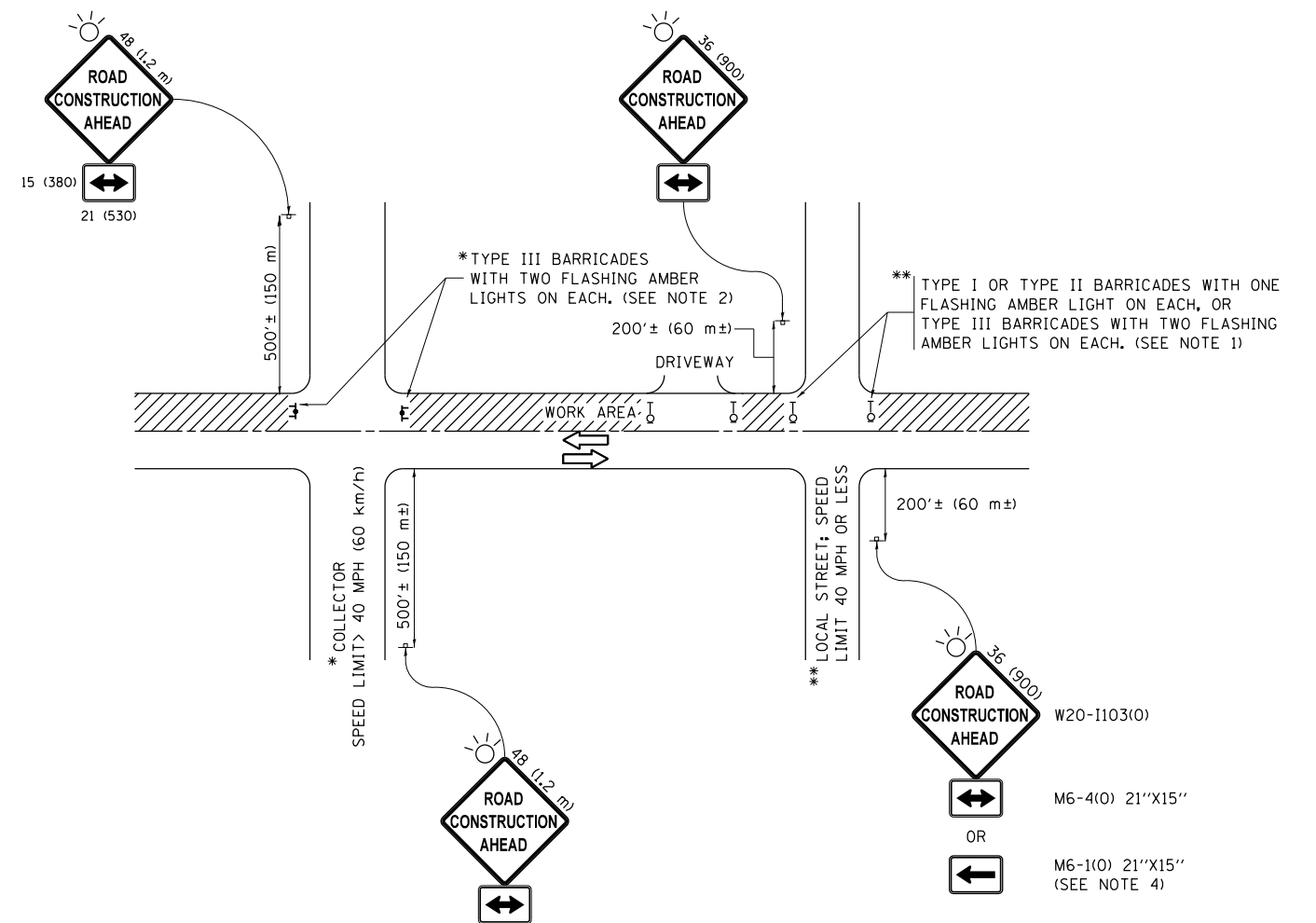
FILE NAME =	USER NAME = elkhatabej	DESIGNED - M. DE YONG	REVISED - R. SHAH 10-25-94
p:\1\084EBIDINTEG.illinois.gov\PIWIDOT\Documents\IDOT Offices\District 1\Projects\1077\Drawings\Design\Diststd.dgn			REVISED - A. ABBAS 03-21-97
	PLOT SCALE = 100.0000' / 1in.	CHECKED -	REVISED - M. GOMEZ 04-06-01
	PLOT DATE = 4/6/2017	DATE - 06-13-90	REVISED - R. BORO 01-01-07

**STATE OF ILLINOIS
DEPARTMENT OF TRANSPORTATION**

**BUTT JOINT AND
HMA TAPER DETAILS**

SCALE: NONE SHEET NO. 1 OF 1 SHEETS STA. TO STA.

F.A.U. RTE.	SECTION	COUNTY	TOTAL SHEETS	SHEET NO.
1282	2016-076RS	COOK	21	13
BD400-05 BD32		CONTRACT NO. 62D68		
FED. ROAD DIST. NO. 1 ILLINOIS FED. AID PROJECT				



NOTES:

1. SIDE ROAD WITH A SPEED LIMIT OF 40 MPH (60 km/h) OR LESS AS SHOWN ON THE DRAWING AND AS DIRECTED BY THE ENGINEER:
 - a) ONE "ROAD CONSTRUCTION AHEAD" SIGN 36 x 36 (900x900) WITH A FLASHER MOUNTED ON IT APPROXIMATELY 200' (60 m) IN ADVANCE OF THE MAIN ROUTE.
 - b) THE CLOSED PORTION OF THE MAIN ROUTE SHALL BE PROTECTED BY BLOCKING WITH TYPE I, TYPE II OR TYPE III BARRICADES, 1/3 OF THE CROSS SECTION OF THE CLOSED PORTION.
2. SIDE ROAD WITH A SPEED LIMIT GREATER THAN 40 MPH (60 km/h) AS SHOWN ON THE DRAWING AND AS DIRECTED BY THE ENGINEER:
 - a) ONE "ROAD CONSTRUCTION AHEAD" SIGN 48 x 48 (1.2 m x 1.2 m) WITH A FLASHER MOUNTED ON IT APPROXIMATELY 500' (150 m) IN ADVANCE OF THE MAIN ROUTE.
 - b) THE CLOSED PORTION OF THE MAIN ROUTE SHALL BE PROTECTED BY BLOCKING WITH TYPE III BARRICADES, 1/2 OF THE CROSS SECTION OF THE CLOSED PORTION.
3. CONES MAY BE SUBSTITUTED FOR BARRICADES OR DRUMS AT HALF THE SPACING DURING DAY OPERATIONS. CONES SHALL BE A MINIMUM OF 28 (710) IN HEIGHT.
4. WHEN THE SIDE ROAD LIES BETWEEN THE BEGINNING OF THE MAINLINE SIGNING AND THE WORK ZONE, A SINGLE HEADED ARROW (M6-1) SHALL BE USED IN LIEU OF THE DOUBLE HEADED ARROW (M6-4).
5. WHEN WORK IS BEING PERFORMED ON A SIDE ROAD OR DRIVEWAY, FOLLOW THE APPLICABLE STANDARD(S). THE DIRECTIONAL ARROW (M6-1 OR M6-4) SHALL BE COVERED OR REMOVED WHEN NO LONGER CONSISTENT WITH THE TRAFFIC CONTROL SET-UP.
6. ADVANCE WARNING SIGNS ARE TO BE OMITTED ON DRIVEWAYS UNLESS OTHERWISE SPECIFIED IN THE PLANS OR BY THE ENGINEER.
7. THE TRAFFIC CONTROL AND PROTECTION FOR SIDE ROADS, INTERSECTIONS, AND DRIVEWAYS SHALL BE INCLUDED IN THE COST OF SPECIFIED TRAFFIC CONTROL STANDARDS OR ITEMS.

All dimensions are in inches (millimeters) unless otherwise shown.

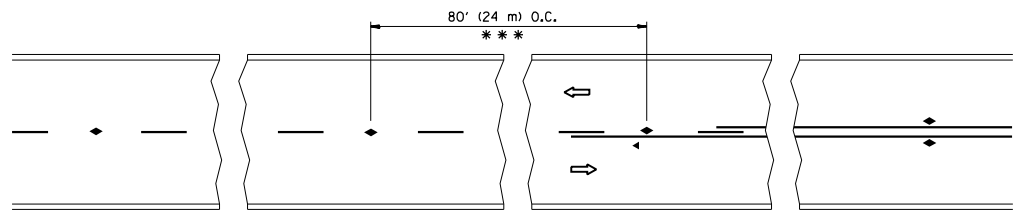
FILE NAME =	USER NAME = elkhatabej	DESIGNED - L.H.A.	REVISED - A. HOUSEH 10-15-96
pw\11084EBIDINTEG\illinois.gov\PWIDOT\Documents\IDOT Offices\District 1\Projects\DI077\Drawings\Design\Diststd.dgn			REVISED - T. RAMMACHER 01-06-00
Default	PLOT SCALE = 100.0000' / in.	CHECKED -	REVISED - A. SCHUETZE 07-01-13
	PLOT DATE = 4/6/2017	DATE - 06-89	REVISED - A. SCHUETZE 09-15-16

**STATE OF ILLINOIS
DEPARTMENT OF TRANSPORTATION**

**TRAFFIC CONTROL AND PROTECTION FOR
SIDE ROADS, INTERSECTIONS, AND DRIVEWAYS**

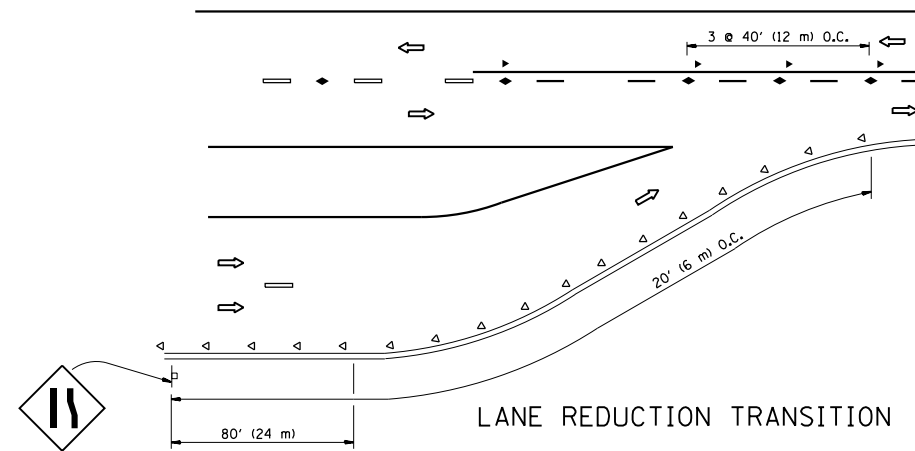
SCALE: NONE SHEET 1 OF 1 SHEETS STA. TO STA.

F.A.U. RTE.	SECTION	COUNTY	TOTAL SHEETS	SHEET NO.
1282	2016-076RS	COOK	21	14
TC-10			CONTRACT NO. 62D68	
FED. ROAD DIST. NO. 1 ILLINOIS FED. AID PROJECT				

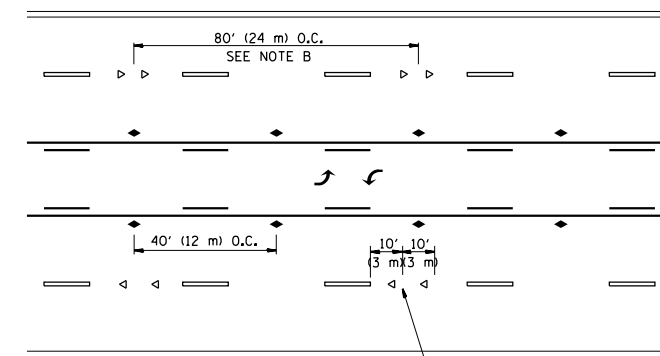


*** REDUCE TO 40' (12 m) O.C. ON CURVES WITH POSTED OR ADVISORY SPEED 45 M.P.H. (70 km/h) OR LESS.

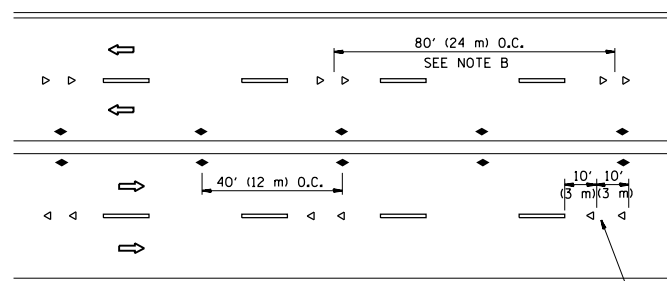
TWO-LANE/TWO-WAY



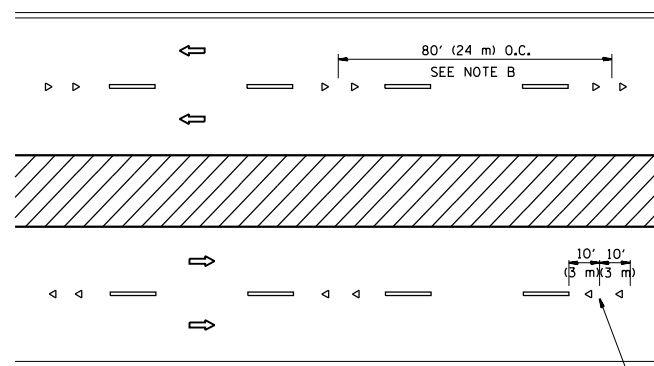
LANE REDUCTION TRANSITION



TWO-WAY LEFT TURN



MULTI-LANE/UNDIVIDED



MULTI-LANE/DIVIDED

GENERAL NOTES

1. MARKERS USED WITH DASHED LINES SHALL BE CENTERED IN THE GAP BETWEEN SEGMENTS.
2. MARKERS USED ADJACENT TO SOLID LINES SHALL BE OFFSET 2 TO 3 (50 TO 75) TOWARD TRAFFIC AS SHOWN.
3. MARKERS THROUGH TANGENTS LESS THAN 500' (150 m) IN LENGTH BETWEEN CURVES SHALL BE INSTALLED AT THE LESSER OF THE TWO CURVE SPACINGS.

SYMBOLS

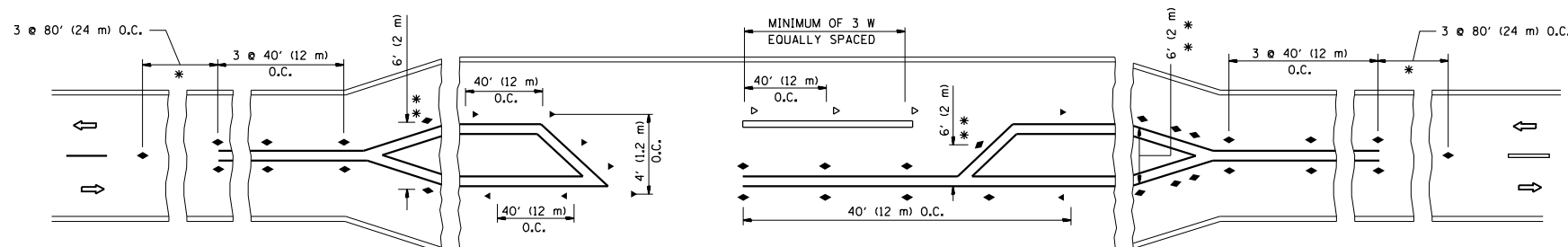
- YELLOW STRIPE
- WHITE STRIPE
- ◀ ONE-WAY AMBER MARKER
- ◁ ONE-WAY CRYSTAL MARKER (W/O)
- ◆ TWO-WAY AMBER MARKER

LANE MARKER NOTES

- A. USE DOUBLE LANE LINE MARKERS SPACED AS SHOWN.
- B. REDUCE TO 40' (12 m) O.C. ON CURVES WHERE ADVISORY SPEEDS ARE 10 M.P.H (20 km/h) LOWER THAN POSTED SPEEDS.

DESIGN NOTES

1. DOUBLE LANE LINE MARKERS SHALL BE USED UNLESS SPECIFIED OTHERWISE.
2. EXCEPT AS SHOWN ON THE LANE REDUCTION TRANSITION AND FREEWAY EXIT RAMP DETAIL, MARKERS ARE NOT TO BE SPECIFIED ON RIGHT EDGE LINES.
3. THE EXACT MARKER LIMITS, SPACING, AND COLOR SHALL BE INCLUDED IN THE PLANS WHEN STANDARD SPECIFICATIONS ARE NOT BEING USED.
4. MARKERS SHOULD NOT BE USED ALONGSIDE CURBS EXCEPT FOR EXTREMELY SHORT SECTIONS OF CURBS WHERE NOT MORE THAN TWO MARKERS WOULD BE INVOLVED.



LEFT TURN

* SEE TWO-LANE/TWO-WAY WHERE MARKERS CONTINUE
 ** WHERE THE MEDIAN WIDTH IS 6' (2 m) OR LESS USE TWO-WAY MARKERS.

All dimensions are in inches (millimeters) unless otherwise shown.

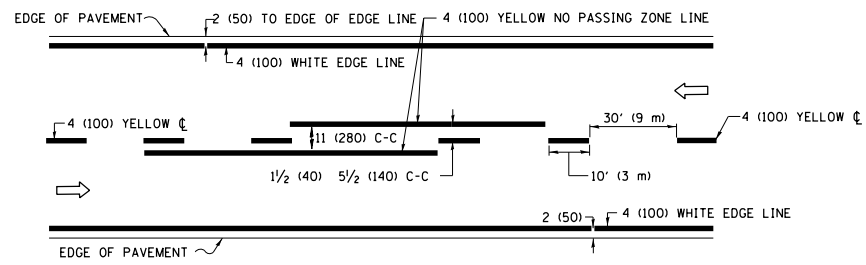
FILE NAME =	USER NAME = elkhatabej	DESIGNED -	REVISED - T. RAMMACHER 09-19-94
pw:\IL\084EBIDINTEG\illinois.gov\PIWIDOT\Documents\IDOT Offices\District 1\Projects\DI077\Drawings\Design\Diststd.dgn		CHECKED -	REVISED - T. RAMMACHER 03-12-99
		DATE -	REVISED - T. RAMMACHER 01-06-00
			REVISED - C. JUCIUS 09-09-09

STATE OF ILLINOIS
 DEPARTMENT OF TRANSPORTATION

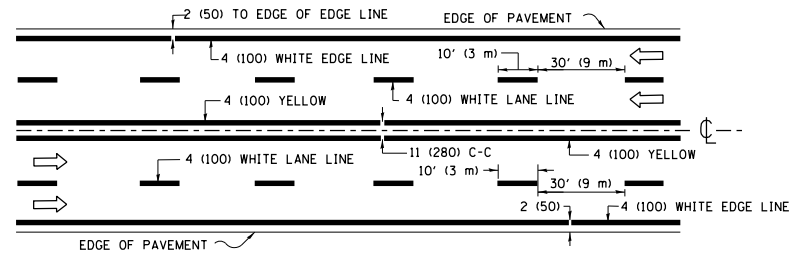
TYPICAL APPLICATIONS
 RAISED REFLECTIVE PAVEMENT MARKERS (SNOW-PLOW RESISTANT)

SCALE: NONE SHEET NO. 1 OF 1 SHEETS STA. TO STA.

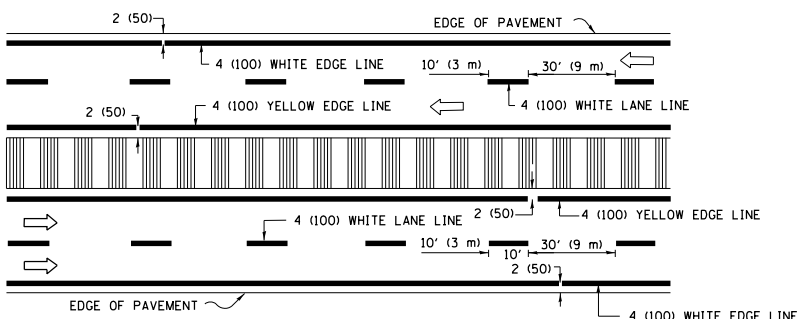
F.A.U. RTE.	SECTION	COUNTY	TOTAL SHEETS	SHEET NO.
1282	2016-076RS	COOK	21	15
TC-11			CONTRACT NO. 62D68	
FED. ROAD DIST. NO. 1 (ILLINOIS) FED. AID PROJECT				



2-LANE ROADWAY

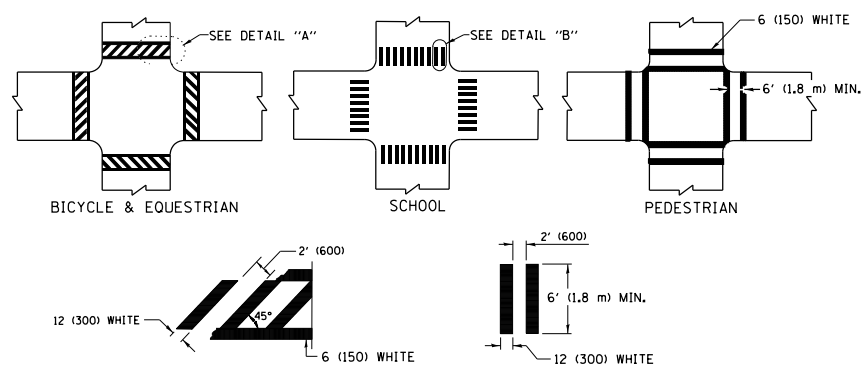


MULTI-LANE UNDIVIDED



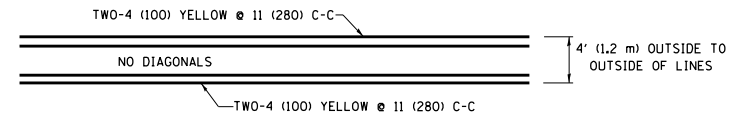
MULTI-LANE DIVIDED WITH MEDIAN

TYPICAL LANE AND EDGE LINE MARKING

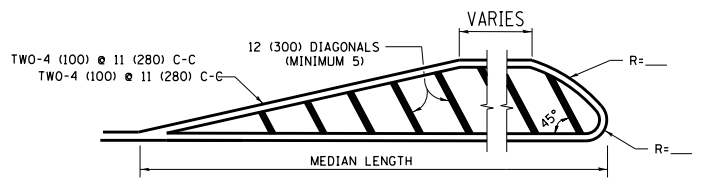


TYPICAL CROSSWALK MARKING

* MARKINGS SHALL BE INSTALLED PARALLEL TO THE CENTERLINE OF THE ROAD WHICH IT CROSSES

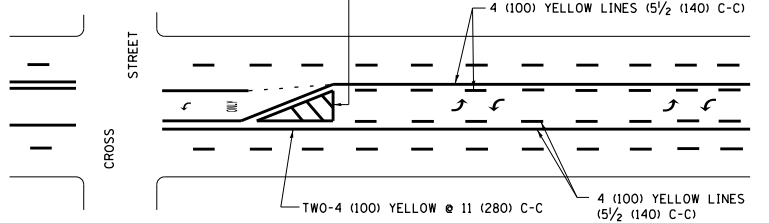


4' (1.2 m) WIDE MEDIANS ONLY



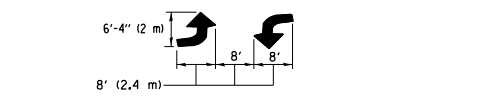
MEDIANS OVER 4' (1.2 m) WIDE

DIAGONAL LINE SPACING: 50' (15 m) C-C (LESS THAN 30MPH (50 km/h))
75' (25 m) C-C 30MPH (50 km/h) TO 45MPH (70 km/h)
150' (45 m) C-C (MORE THAN 45MPH (70 km/h))

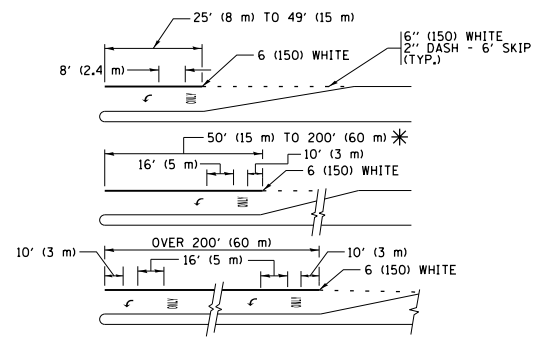


MEDIAN WITH TWO-WAY LEFT TURN LANE TYPICAL PAINTED MEDIAN MARKING

A MINIMUM OF TWO PAIRS OF TURN ARROWS SHALL BE USED, WHITE IN COLOR. ADDITIONAL PAIRS SHALL BE PLACED AT 200' (60 m) TO 300' (90 m) INTERVALS.

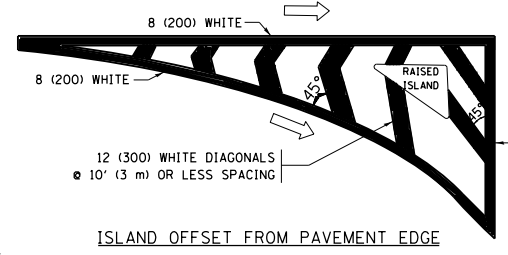


MEDIAN WITH TWO-WAY LEFT TURN LANE TYPICAL PAINTED MEDIAN MARKING

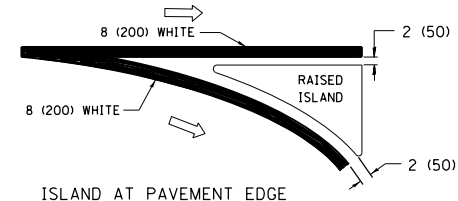


FULL SIZE LETTERS 8' (2.4 m) AND ARROWS SHALL BE USED.
AREA = 15.6 SQ. FT. (1.5 m²) ONLY AREA = 20.8 SQ. FT. (1.9 m²)
* TURN LANES IN EXCESS OF 400' (120 m) IN LENGTH MAY HAVE AN ADDITIONAL SET OF ARROW - "ONLY" INSTALLED MIDWAY BETWEEN THE OTHER TWO SETS OF ARROW - "ONLY".

TYPICAL LEFT (OR RIGHT) TURN LANE TYPICAL TURN LANE MARKING

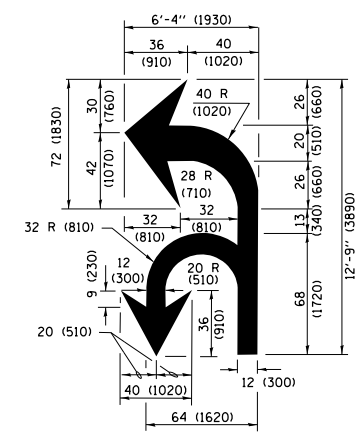


ISLAND OFFSET FROM PAVEMENT EDGE

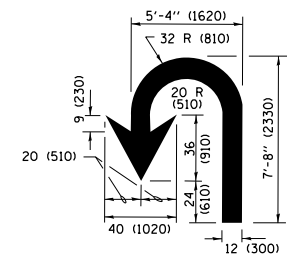


ISLAND AT PAVEMENT EDGE

TYPICAL ISLAND MARKING



COMBINATION LEFT AND U-TURN



U-TURN

LANE REDUCTION TRANSITION

* LANE REDUCTION ARROWS REQUIRED AT SPEEDS OF 45 MPH OR GREATER OR WHEN SPECIFIED IN PLANS.

D(FT)	SPEED LIMIT
345	30
425	35
500	40
580	45
665	50
750	55

TYPE OF MARKING	WIDTH OF LINE	PATTERN	COLOR	SPACING /REMARKS
CENTERLINE ON 2 LANE PAVEMENT	4 (100)	SKIP-DASH	YELLOW	10' (3 m) LINE WITH 30' (9 m) SPACE
CENTERLINE ON MULTI-LANE UNDIVIDED PAVEMENT	2 @ 4 (100)	SOLID	YELLOW	11 (280) C-C
NO PASSING ZONE LINES FOR ONE DIRECTION FOR BOTH DIRECTIONS	4 (100) 2 @ 4 (100)	SOLID SOLID	YELLOW YELLOW	5 1/2 (140) C-C FROM SKIP-DASH CENTERLINE 11 (280) C-C OMIT SKIP-DASH CENTERLINE BETWEEN
LANE LINES	4 (100) 5 (125) ON FREEWAYS	SKIP-DASH SKIP-DASH	WHITE WHITE	10' (3 m) LINE WITH 30' (9 m) SPACE
DOTTED LINES (EXTENSIONS OF CENTER, LANE OR TURN LANE MARKINGS)	SAME AS LINE BEING EXTENDED	SKIP-DASH	SAME AS LINE BEING EXTENDED	2' (600) LINE WITH 6' (1.8 m) SPACE
EDGE LINES	4 (100)	SOLID	YELLOW-LEFT WHITE-RIGHT	OUTLINE MEDIANS IN YELLOW
TURN LANE MARKINGS	6 (150) LINE; FULL SIZE LETTERS & SYMBOLS (8' (2.4m))	SOLID	WHITE	SEE TYPICAL TURN LANE MARKING DETAIL
TWO WAY LEFT TURN MARKING	2 @ 4 (100) EACH DIRECTION 8' (2.4m) LEFT ARROW	SKIP-DASH AND SOLID IN PAIRS	YELLOW WHITE	10' (3 m) LINE WITH 30' (9 m) SPACE FOR SKIP-DASH; 5 1/2 (140) C-C BETWEEN SOLID LINE AND SKIP-DASH LINE SEE TYPICAL TWO-WAY LEFT TURN MARKING DETAIL
CROSSWALK LINES (PEDESTRIAN) A. DIAGONALS (BIKE & EQUESTRIAN) B. LONGITUDINAL BARS (SCHOOL)	2 @ 6 (150) 12 (300) @ 45° 12 (300) @ 90°	SOLID SOLID SOLID	WHITE WHITE WHITE	NOT LESS THAN 6' (1.8 m) APART 2' (600) APART 2' (600) APART SEE TYPICAL CROSSWALK MARKING DETAILS.
STOP LINES	24 (600)	SOLID	WHITE	PLACE 4' (1.2 m) IN ADVANCE OF AND PARALLEL TO CROSSWALK, IF PRESENT, OTHERWISE, PLACE AT DESIRED STOPPING POINT, PARALLEL TO CROSSROAD CENTERLINE, WHERE POSSIBLE.
PAINTED MEDIANS	2 @ 4 (100) WITH 12 (300) DIAGONALS @ 45° NO DIAGONALS USED FOR 4' (1.2 m) WIDE MEDIANS	SOLID	YELLOW; TWO WAY TRAFFIC WHITE; ONE WAY TRAFFIC	11 (280) C-C FOR THE DOUBLE LINE SEE TYPICAL PAINTED MEDIAN MARKING.
GORE MARKING AND CHANNELIZING LINES	8 (200) WITH 12 (300) DIAGONALS @ 45°	SOLID	WHITE	DIAGONALS: 15' (4.5 m) C-C (LESS THAN 30MPH (50 km/h)) 20' (6 m) C-C 30MPH (50 km/h) TO 45MPH (70 km/h) 30' (9 m) C-C (OVER 45MPH (70 km/h))
RAILROAD CROSSING	24 (600) TRANSVERSE LINES; "RR" IS 6' (1.8 m) LETTERS; 16 (400) LINE FOR "X"	SOLID	WHITE	SEE STATE STANDARD 780001 AREA OF: "R"=3.6 SQ. FT. (0.33 m ²) EACH "X"=54.0 SQ. FT. (5.0 m ²)
SHOULDER DIAGONALS (REQUIRED FOR SHOULDERS ≥ 8')	12 (300) @ 45°	SOLID	WHITE - RIGHT YELLOW - LEFT	50' (15 m) C-C (LESS THAN 30MPH (50 km/h)) 75' (25 m) C-C 30 MPH (50 km/h) TO 45MPH (70 km/h) 150' (45 m) C-C (OVER 45MPH (70 km/h))
U TURN ARROW	SEE DETAIL	SOLID	WHITE	16.3 SF
2 ARROW COMBINATION LEFT AND U TURN	SEE DETAIL	SOLID	WHITE	30.4 SF

FOR FURTHER DETAILS ON PAVEMENT MARKING REFER TO STANDARD SPECIFICATIONS FOR ROAD AND BRIDGE CONSTRUCTION AND STATE STANDARD 780001.

All dimensions are in inches (millimeters) unless otherwise shown.

FILE NAME =	USER NAME = elkhosbej	DESIGNED - EVERS	REVISED - C. JUCIUS 09-09-09
pw\1\084EBIDINTEG\illinois.gov\PIWIDOT\Documents\DOT Offices\District 1\Projects\01077\Drawings\Design\Diststd.dgn		CHECKED -	REVISED - C. JUCIUS 07-01-13
Default	PLOT SCALE = 100.0000' / in.	DATE - 03-19-90	REVISED - C. JUCIUS 12-21-15
	PLOT DATE = 4/6/2017		REVISED - C. JUCIUS 04-12-16

STATE OF ILLINOIS DEPARTMENT OF TRANSPORTATION

DISTRICT ONE TYPICAL PAVEMENT MARKINGS			
SCALE: NONE	SHEET 1	OF 1 SHEETS	STA. TO STA.

F.A.U. RTE.	SECTION	COUNTY	TOTAL SHEETS	SHEET NO.
1282	2016-076RS	COOK	21	16
TC-13		CONTRACT NO. 62D68		
FED. ROAD DIST. NO. 1 ILLINOIS FED. AID PROJECT				

TURN BAY ENTRANCE AT START OF LANE CLOSURE TAPER

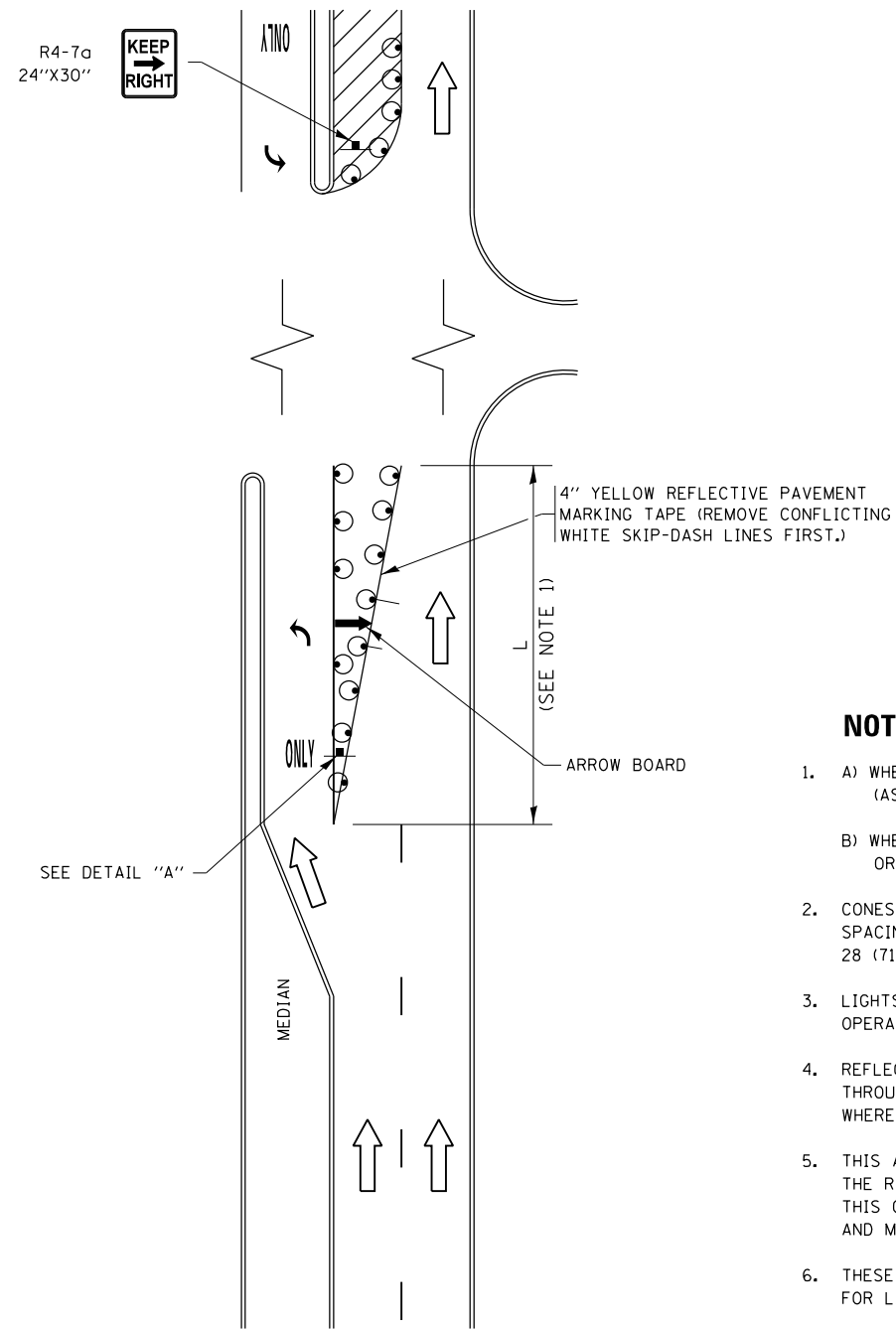


FIGURE 1

TURN BAY ENTRANCE WITHIN A LANE CLOSURE

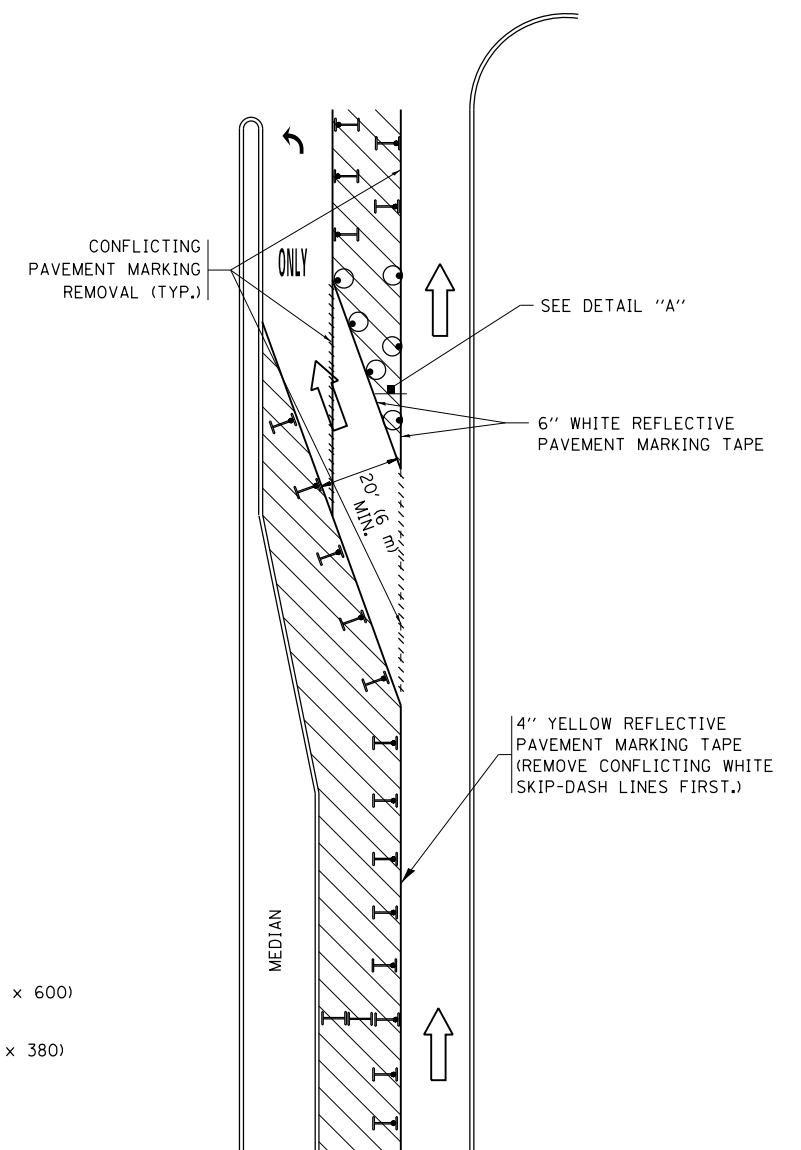
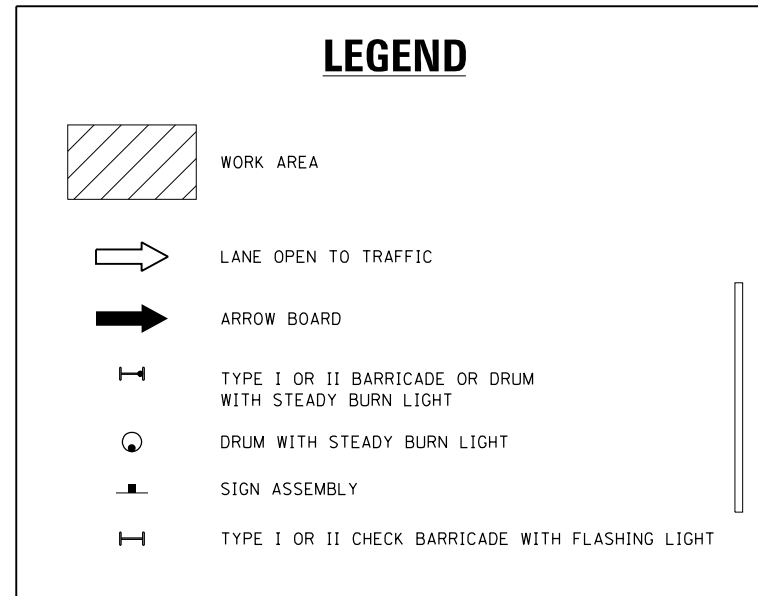
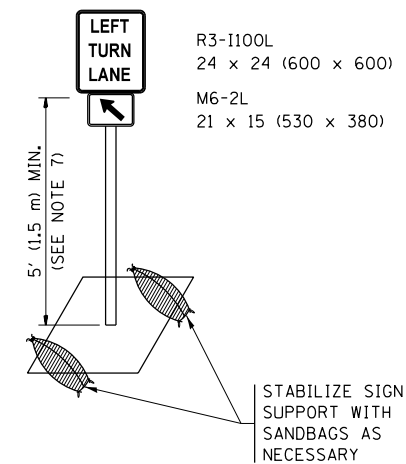


FIGURE 2



NOTES:

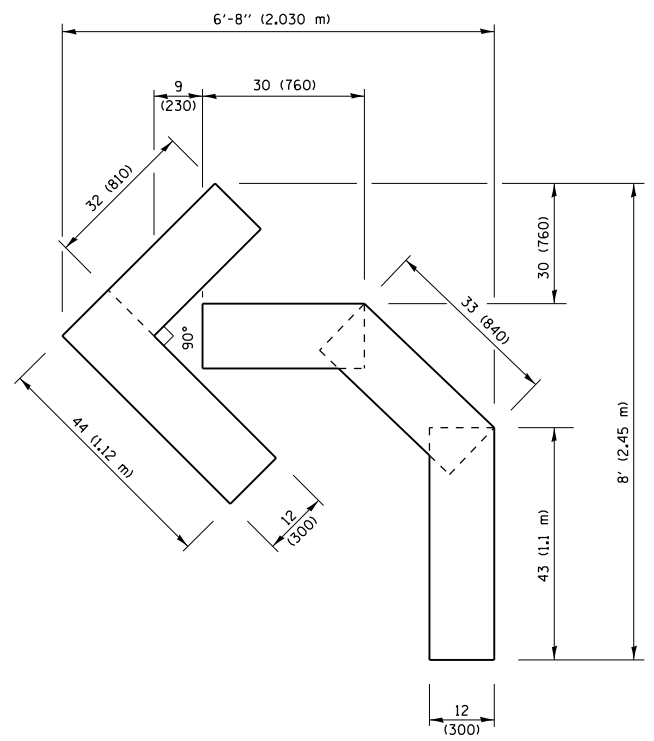
1. A) WHEN "L" IS \leq THE STORAGE LENGTH OF THE TURN LANE (AS SHOWN IN FIG. 1), USE FIGURE 1.
B) WHEN "L" IS $>$ THE STORAGE LENGTH OF THE TURN LANE OR THE TURN LANE IS WITHIN THE LANE CLOSURE, USE FIGURE 2.
2. CONES MAY BE SUBSTITUTED FOR BARRICADES OR DRUMS AT HALF THE SPACING DURING DAY OPERATIONS. CONES SHALL BE A MINIMUM OF 28 (710) IN HEIGHT.
3. LIGHTS WILL NOT BE REQUIRED ON BARRICADES OR DRUMS FOR DAY OPERATIONS. ALL LIGHTS SHALL BE MONODIRECTIONAL.
4. REFLECTIVE TEMPORARY PAVEMENT MARKINGS SHALL BE PLACED THROUGHOUT THE BARRICADED AREAS OF EACH TURN BAY AS SHOWN WHERE THE CLOSURE TIME IS GREATER THAN FOURTEEN (14) DAYS.
5. THIS APPLICATION ALSO APPLIES WHEN WORK IS BEING PERFORMED IN THE RIGHT LANE(S) AND THE RIGHT TURN BAY IS TO REMAIN OPEN. UNDER THIS CONDITION, "RIGHT TURN LANE" R3-1100R 24 x 24 (600 x 600) AND M6-2R 21 x 15 (530 x 380) SHALL BE USED.
6. THESE CONTROLS SHALL SUPPLEMENT MAINLINE TRAFFIC CONTROL FOR LANE CLOSURES.
7. THE SIGNS SHALL BE MOUNTED ABOVE THE BARRICADES/DRUMS ON SEPARATE SIGN SUPPORTS THAT MEET NCHRP 350 OR MASH PREQUIREMENTS.
8. TRAFFIC CONTROL AND PROTECTION AT TURN BAYS (TO REMAIN OPEN TO TRAFFIC) SHALL BE INCLUDED IN THE COST OF SPECIFIED TRAFFIC CONTROL STANDARDS OR ITEMS.



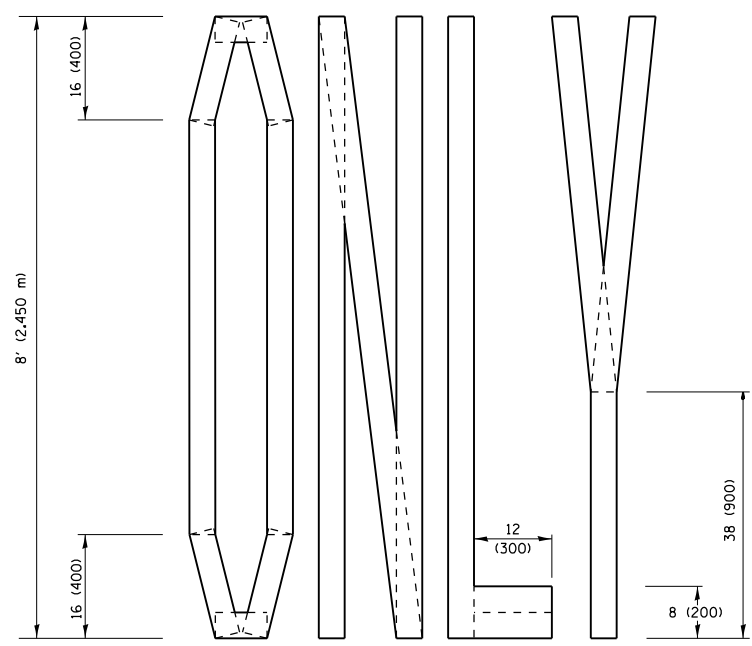
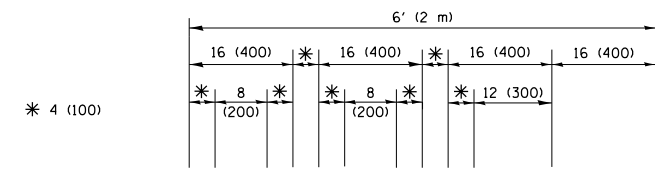
DETAIL A

All dimensions are in inches (millimeters) unless otherwise shown.

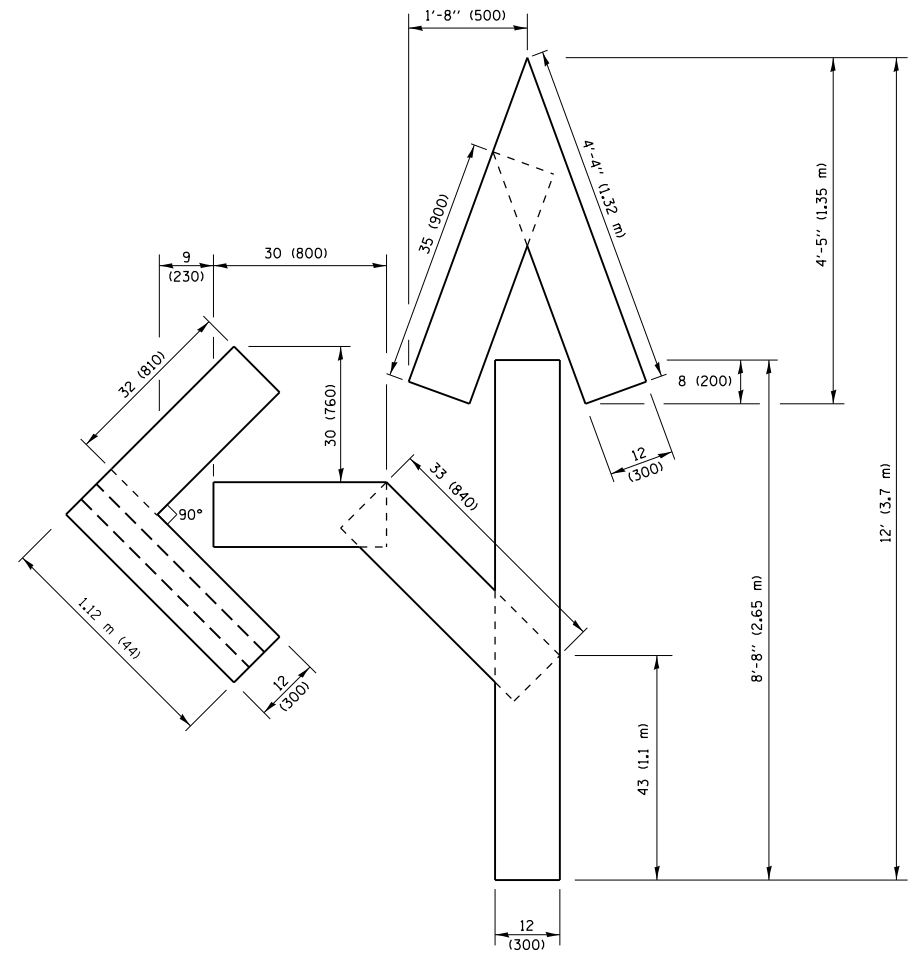
FILE NAME =	USER NAME = elkhatabej	REVISED - T. RAMMACHER 09-08-94	REVISED - R. BORO 09-14-09	STATE OF ILLINOIS DEPARTMENT OF TRANSPORTATION	TRAFFIC CONTROL AND PROTECTION AT TURN BAYS (TO REMAIN OPEN TO TRAFFIC)	F.A.U. R.E.	SECTION	COUNTY	TOTAL SHEETS	SHEET NO.
pw\1\084EBIDINTEG.illinois.gov\PI\DOT\Documents\DOT Offices\District 1\Projects\1077\REVISED Design\HOUSEH 11-07-95	REVISED - A. HOUSEH 11-07-95	REVISED - A. SCHUETZE 07-01-13	REVISED - A. SCHUETZE 07-01-13			1282	2016-076RS	COOK	21	17
Default	PLOT SCALE = 100.0000' / in.	REVISED - A. HOUSEH 10-12-96	REVISED - A. SCHUETZE 09-15-16			TC-14		CONTRACT NO. 62D68		
	PLOT DATE = 4/6/2017	REVISED - T. RAMMACHER 01-06-00	REVISED -			FED. ROAD DIST. NO. 1 ILLINOIS FED. AID PROJECT				
				SCALE: NONE	SHEET 1 OF 1 SHEETS	STA.	TO STA.			



QUANTITY
 4 (100) LINE = 45.5 ft. (13.9 m)
 15.2 sq. ft. (1.41 sq. m)

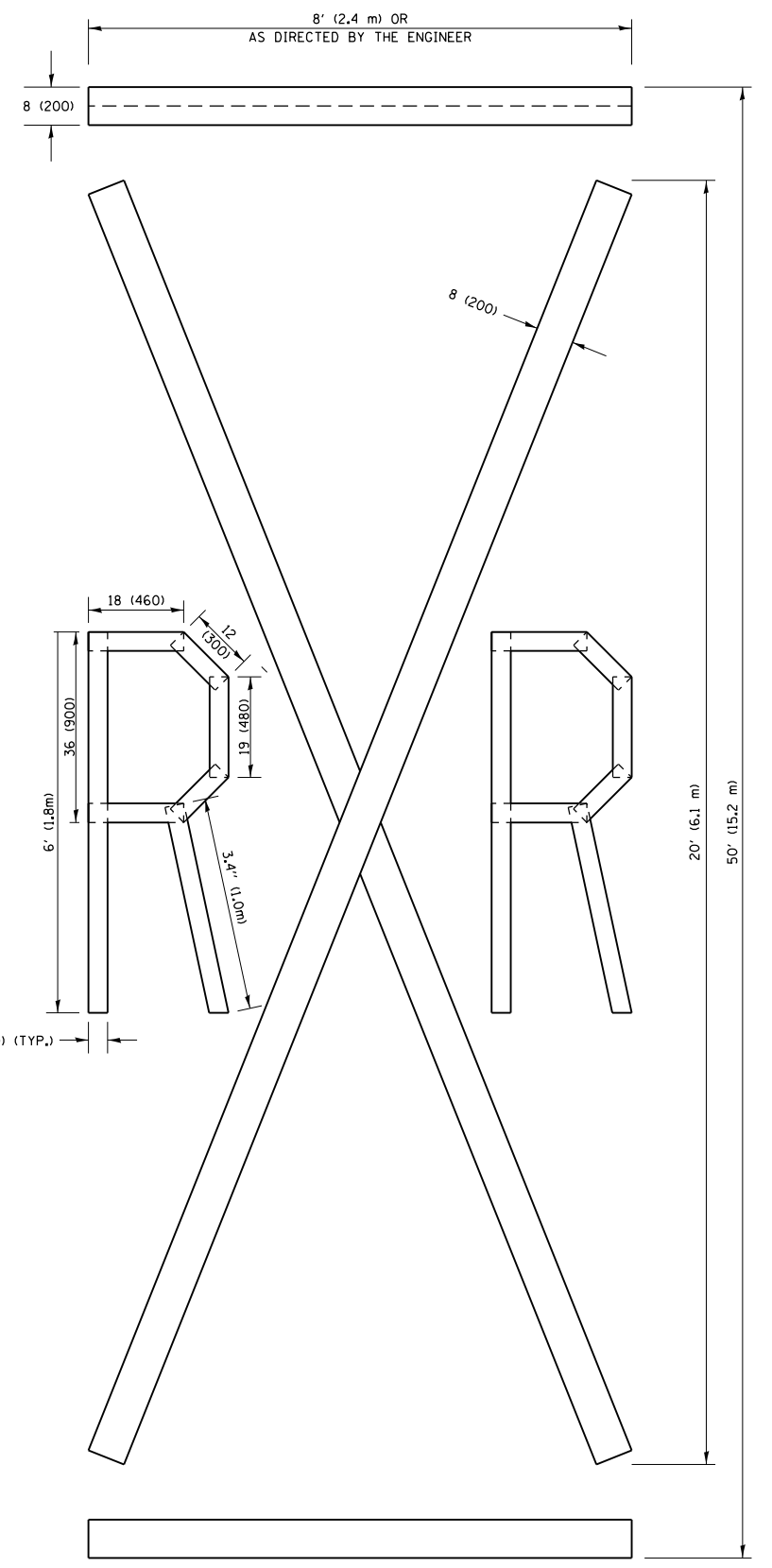


QUANTITY
 4 (100) LINE = 64.1 ft. (19.5 m)
 21.4 sq. ft. (1.99 sq. m)



QUANTITY
 4 (100) LINE = 82.5 ft. (25.1 m)
 27.5 sq. ft. (2.53 sq. m)

NOTE:
 ALL QUANTITIES OF PLACEMENT ARE REPRESENTED IN LINEAR FEET OF 4" LINES TO MATCH THE 4" TEMPORARY TAPE PAY ITEM AND REPRESENTS THE TOTAL QUANTITY OF 4" TAPE REQUIRED.



QUANTITY
 4 (100) LINE = 225.9 ft. (68.9 m)
 75.3 sq. ft. (6.99 sq. m)

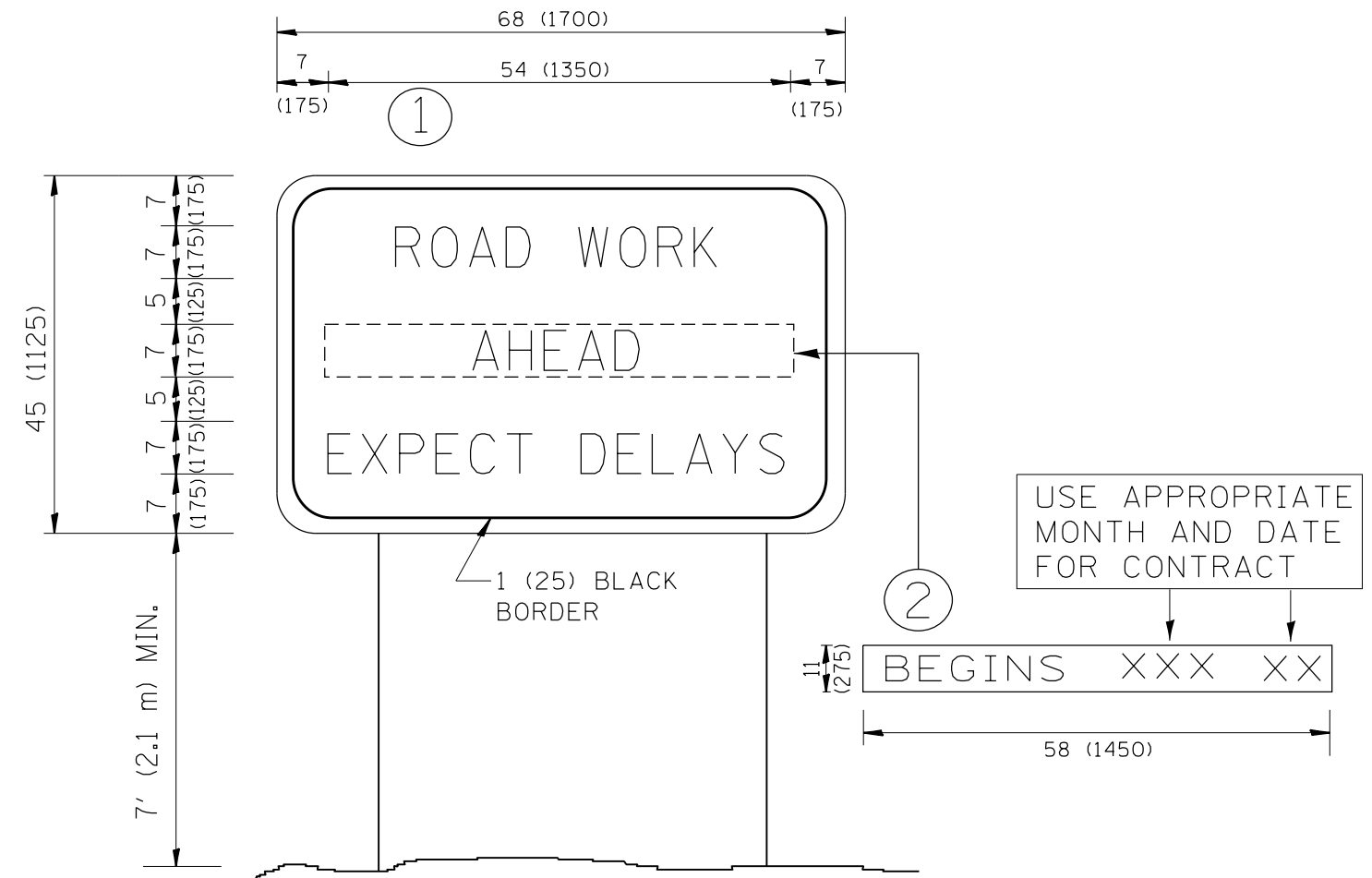
All dimensions are in inches (millimeters) unless otherwise shown.

FILE NAME =	USER NAME = elkhotibaj	DESIGNED -	REVISED - T. RAMMACHER 03-02-98
pw:\1\084EBIDINTEG\illinois.gov\PIWIDOT\Documents\IDOT Offices\District 1\Projects\01077\Drawings\Design\Diststd.dgn		CHECKED -	REVISED - E. GOMEZ 08-28-00
		DATE - 09-18-94	REVISED - E. GOMEZ 08-28-00
			REVISED - A. SCHUETZE 09-15-16

**STATE OF ILLINOIS
 DEPARTMENT OF TRANSPORTATION**

SHORT TERM PAVEMENT MARKING LETTERS AND SYMBOLS			
SCALE: NONE	SHEET NO. 1 OF 1 SHEETS	STA.	TO STA.

F.A.U. RTE.	SECTION	COUNTY	TOTAL SHEETS	SHEET NO.
1282	2016-076RS	COOK	21	18
TC-16		CONTRACT NO. 62D68		
FED. ROAD DIST. NO. 1 ILLINOIS FED. AID PROJECT				



NOTES:

1. USE BLACK LETTERING ON ORANGE BACKGROUND.
2. ERECT SIGNS IN ADVANCE OF THE LOCATION FOR THE "ROAD CONSTRUCTION AHEAD" SIGN AT LOCATIONS AS DIRECTED BY THE ENGINEER.
3. ERECT SIGN ① WITH INSTALLED PANEL ② ONE WEEK PRIOR TO THE START OF CONSTRUCTION.
4. REMOVE PANEL ② SOON AFTER THE START OF CONSTRUCTION.
5. SEE SPECIAL PROVISION FOR "TEMPORARY INFORMATION SIGNING" FOR ADDITIONAL INFORMATION.
6. ONE SIGN ASSEMBLY EQUALS 25.70 SQ. FT. (2.3 SQ. M.)
7. SHALL BE PAID FOR AS TEMPORARY INFORMATION SIGNING.

ALL DIMENSIONS ARE IN INCHES (MILLIMETERS) UNLESS OTHERWISE SHOWN.

FILE NAME =	USER NAME = elkhatabaj	DESIGNED -	REVISED - R. MIRS 09-15-97
p:\11\084EBIDINTEG.illinois.gov\PIWIDOT\Documents\DOT Offices\District 1\Projects\DI077\Drawings\Design\Diststd.dgn		CHECKED -	REVISED - R. MIRS 12-11-97
		DATE -	REVISED - T. RAMMACHER 02-02-99
			REVISED - C. JUCIUS 01-31-07

**STATE OF ILLINOIS
DEPARTMENT OF TRANSPORTATION**

**ARTERIAL ROAD
INFORMATION SIGN**

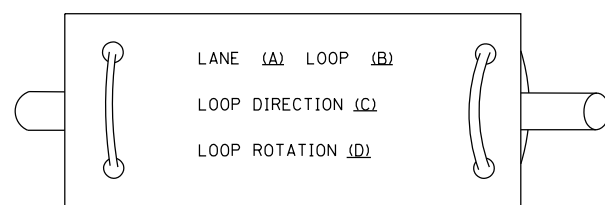
SCALE: NONE SHEET NO. 1 OF 1 SHEETS STA. TO STA.

F.A.U. RTE.	SECTION	COUNTY	TOTAL SHEETS	SHEET NO.
1282	2016-076RS	COOK	21	19
TC-22		CONTRACT NO. 62D68		
FED. ROAD DIST. NO. 1 ILLINOIS FED. AID PROJECT				

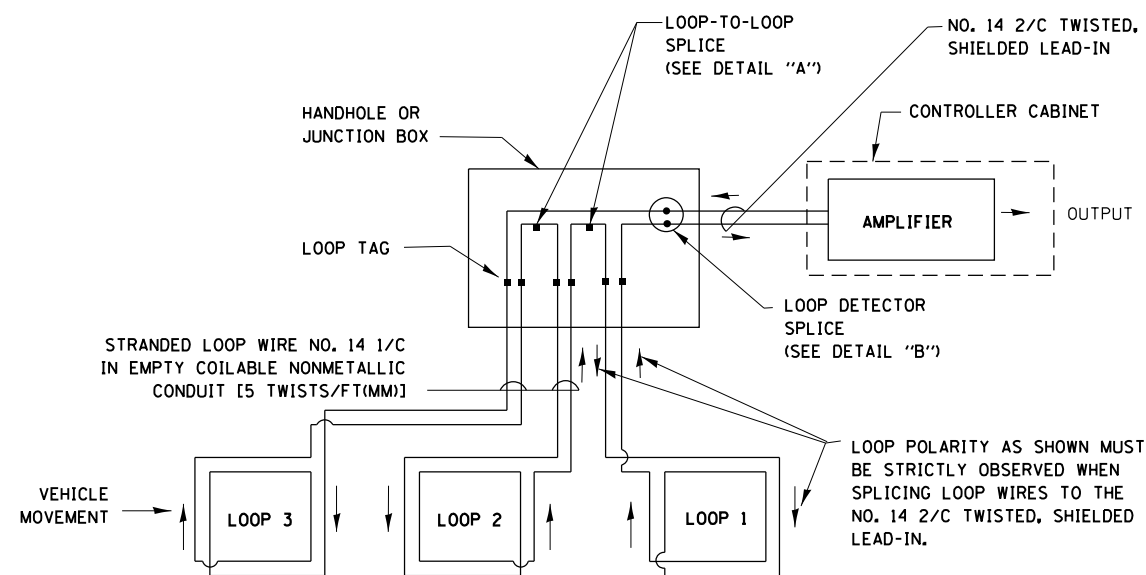
LOOP DETECTOR NOTES

1. EACH PAIR OF LOOP WIRES SHALL BE PLACED IN A SEPARATE EMPTY COILABLE NONMETALLIC CONDUIT FROM THE EDGE OF PAVEMENT TO THE HANDHOLE. SPACING BETWEEN THE HOLES DRILLED IN THE PAVEMENT SHALL NOT BE LESS THAN 6" (150 mm). EMPTY COILABLE NONMETALLIC CONDUIT SHALL BE INCLUDED IN THE COST OF THE LOOP WIRE.
2. THE NUMBER OF LOOP TURNS SHALL BE AS RECOMMENDED BY THE AMPLIFIER MANUFACTURER. ALL ADJACENT SIDES OF THE LOOPS SHALL BE INSTALLED IN SUCH A WAY THAT THE CURRENT FLOW IS IN THE SAME DIRECTION TO REINFORCE ITS MAGNETIC FIELDS FOR SMALL VEHICLE DETECTION.
3. EACH LOOP LEAD-IN SHALL BE IDENTIFIED AND PERMANENTLY TAGGED IN THE HANDHOLE. EACH LEAD-IN CABLE TAG SHALL INDICATE THE LOCATION OF THE LOOP, LOOP ROTATION (CLOCKWISE/COUNTERCLOCKWISE), LOOP LEAD-IN DIRECTION (IN OR OUT), LOOP CABLE NUMBER AND LOCATION IN CABINET, AND NUMBER OF TURNS IN THE DETECTOR LOOPS IN WATER PROOF INK AS INDICATED ON THE DISTRICT 1 STANDARD TRAFFIC SIGNAL DESIGN DETAIL. THE CONTRACTOR SHALL MARK LOOP LOCATIONS ON RECORD DRAWINGS AND PRESENT TO THE ENGINEER AFTER FINAL INSPECTION. LOOPS SHALL BE MARKED BY LANE AND LOOP NUMBER. SEE DETAIL BELOW.
4. ALL LOOP CABLE SHALL BE FASTENED WITH PLASTIC TIE WRAP TO THE HANDHOLE HOOKS.
5. IN ASPHALT PAVEMENT, LOOPS SHOULD BE PLACED IN THE BINDER AND DIVEHOLES MARKED AT THE CURB WITH A SAW-CUT. THE SAW-CUT SHALL BE CUT IN ACCORDANCE WITH LOCAL AND E.P.A. DUST CONTROL REQUIREMENTS. DETECTOR LOOP(S) SHALL NOT BE INSTALLED IN WET CONDITIONS AND THE SAW-CUTS MUST BE FREE OF DEBRIS AND RESIDUE SUCH AS DUST AND WATER WHICH IS TO BE ACHIEVED BY THE USE OF COMPRESSED AIR, WIRE BRUSHING AND HEAT DRYING ACCORDING TO SEALANT MANUFACTURER REQUIREMENTS. THE DETECTOR WIRE SHALL BE HELD IN PLACE BY THE USE OF FORM WEDGES. WEDGES SHALL BE SPACED NO MORE THAN 18" (450 mm) APART.
6. LOOP SPLICES SHALL BE SOLDERED USING A SOLDERING IRON. BLOW TORCHES OR OTHER DEVICES WHICH OXIDIZE COPPER CABLE SHALL NOT BE ALLOWED FOR SOLDERING OPERATIONS. SEE DETAIL BELOW RIGHT.
7. PREFORMED DETECTOR LOOPS SHALL BE USED, AS SHOWN ON THE PLANS, WHERE NEW CONCRETE PAVEMENT IS PROPOSED. THE INSTALLATION OF PREFORMED LOOPS SHALL BE IN ACCORDANCE WITH THE DISTRICT 1 SPECIFICATIONS OR AS DIRECTED BY THE ENGINEER.

LOOP LEAD-IN CABLE TAG

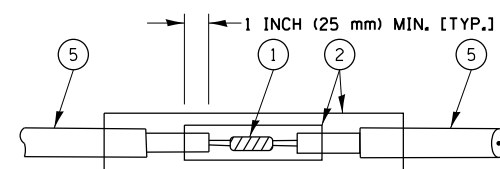


- A. LANE 1 IS THE LANE CLOSEST TO THE CENTERLINE OF THE ROADWAY
- B. LOOP #1 IS THE LOOP IN THE LANE CLOSEST TO THE INTERSECTION.
- C. LABEL LOOP CABLE "IN" OR LOOP CABLE "OUT".
- D. LABEL LOOP CABLE CLOCKWISE OR LOOP CABLE COUNTERCLOCKWISE.

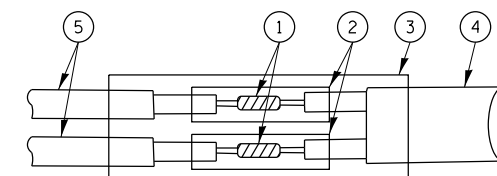


DETECTOR LOOP WIRING SCHEMATIC

- LOOPS SHALL BE SPLICED IN SERIES.
- SAW-CUTS SHALL BE A MINIMUM WIDTH OF 5/16" (8 mm).
- SAW-CUT DEPTHS SHALL BE 3" (75 mm). IF IN CONCRETE, THE SAW-CUT DEPTH SHALL BE TO THE TOP OF THE REINFORCEMENT.
- LOOP CORNERS SHALL BE DRILLED WITH A 2" (50 mm) DIAMETER CORE.

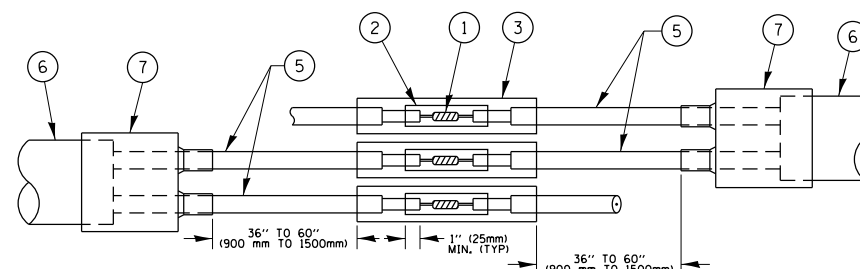


DETAIL "A"
LOOP-TO-LOOP SPLICE

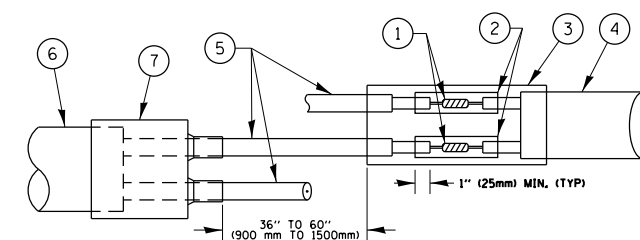


DETAIL "B"
LOOP-TO-CONTROLLER SPLICE

TYPE I LOOP



DETAIL "A"
LOOP-TO-LOOP SPLICE



DETAIL "B"
LOOP-TO-CONTROLLER SPLICE

PRE-FORMED LOOP

LOOP DETECTOR SPLICE

- 1 WESTERN UNION SPLICE SOLDERED WITH ROSIN CORE FLUX. ALL EXPOSED SURFACES OF THE SOLDER SHALL BE SMOOTH, THE WESTERN UNION SPLICES SHALL BE STAGGERED.
- 2 WCSMW 30/100 HEAT SHRINK TUBE, MINIMUM LENGTH 3" (75 mm), UNDERWATER GRADE.
- 3 WCS 200/750 HEAT SHRINK TUBE, MINIMUM LENGTH 6" (150 mm), UNDERWATER GRADE.
- 4 NO. 14 2/C TWISTED, SHIELDED CABLE.
- 5 LOOP CONDUCTOR WITH FLEXIBLE PLASTIC TUBE.
- 6 PRE-FORMED LOOP
- 7 XL POLYOLEFIN 2 CONDUCTOR BREAKOUT SEALS, TYCO CBR-2 OR APPROVED EQUAL

FILE NAME =	USER NAME = elkhatabej	DESIGNED -	REVISED -
pw:\IL\084EBIDINTEG.illinois.gov\PIWIDOT\Documents\DOT Offices\District 1\Projects\DI077\Drawings\Design\Diststd.dgn		CHECKED -	REVISED -
Default	PLOT DATE = 4/6/2017	DATE -	REVISED -

**STATE OF ILLINOIS
DEPARTMENT OF TRANSPORTATION**

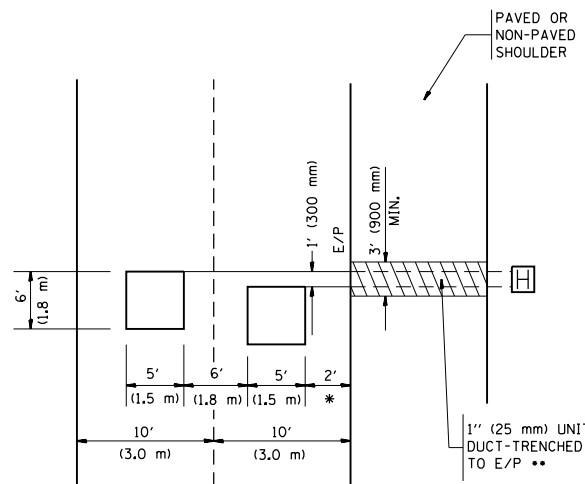
**DISTRICT ONE
STANDARD TRAFFIC SIGNAL DESIGN DETAILS**

SCALE: NONE SHEET 2 OF 7 SHEETS STA. TO STA.

F.A.U. RTE.	SECTION	COUNTY	TOTAL SHEETS	SHEET NO.
1282	2016-076RS	COOK	21	20
TS-05		CONTRACT NO. 62D68		
FED. ROAD DIST. NO. 1 ILLINOIS FED. AID PROJECT				

LOOPS NEXT TO SHOULDERS

PROVIDE A PAVEMENT REPLACEMENT NOTE WHICH SHOULD EQUAL 3' (900 mm) X WIDTH OF PAVED SHOULDER.



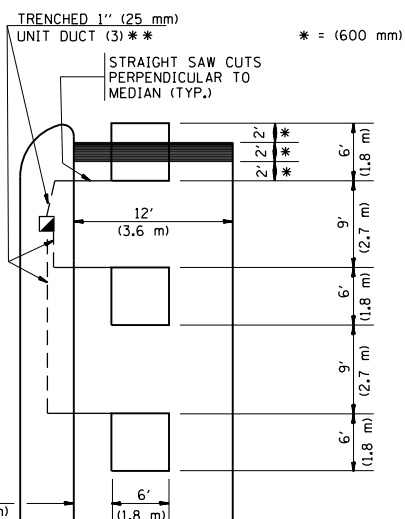
* = (600 mm)

** UNIT DUCT IS TO BE SHOWN ON PLAN SHEETS BUT SHALL NOT BE INCLUDED IN THE PAY ITEMS.

LEFT TURN LANES WITH MEDIANS
VOLUME DENSITY ("FAR OUT" DETECTION)
ON SAME APPROACH

(PROTECTED / PERMITTED LEFT TURN PHASING)

HANDHOLE LOCATION MAY VARY DEPENDING ON GEOMETRICS AND DESIGN OF TRAFFIC SIGNALS. HEAVY-DUTY HANDHOLES TO BE USED WHEN THE MEDIAN IS MOUNTABLE. REFER TO STANDARD 814001 TO ENSURE THAT HANDHOLE FITS IN MEDIAN.



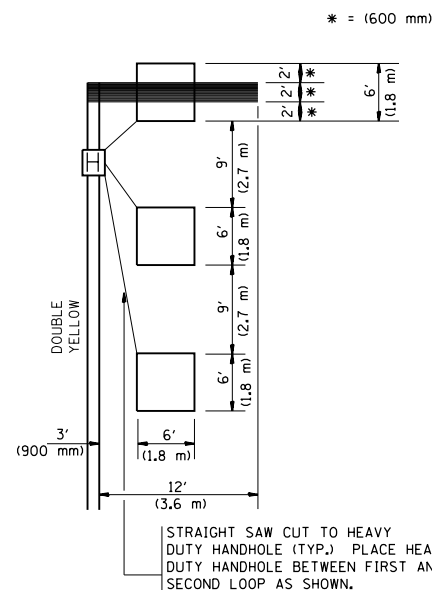
* = (600 mm)

** UNIT DUCT IS TO BE SHOWN ON PLAN SHEETS BUT SHALL NOT BE INCLUDED IN THE PAY ITEMS.

NOTE: DUAL LEFT TURNS NOT SHOWN REFER TO PLAN SHEET FOR DETECTOR LOOP REPLACEMENT

LEFT TURN LANES WITHOUT MEDIANS
VOLUME DENSITY ("FAR OUT" DETECTION)
ON SAME APPROACH

(PROTECTED / PERMITTED LEFT TURN PHASING)



* = (600 mm)

NOTE: DUAL LEFT TURNS NOT SHOWN REFER TO PLAN SHEET FOR DETECTOR LOOP REPLACEMENT

NOTES:

VEHICLES LOOP DETECTORS

- * ALL LEAD IN CABLE SHALL BE TWO CONDUCTOR NO. 14 TWISTED, SHIELDED.
- * EACH DETECTOR LOOP SHALL HAVE ITS OWN SAW CUT FROM THE LOOP TO THE EDGE OF PAVEMENT OR TO A HANDHOLE IN THE PAVEMENT.
- * EACH DETECTOR LOOP SHALL HAVE ITS OWN ONE INCH (25 mm) UNIT DUCT BETWEEN THE EDGE OF PAVEMENT AND THE FIRST HANDHOLE OR JUNCTION BOX. EACH UNIT DUCT RUN SHALL BE SHOWN ON THE PLANS BY THE DESIGNER, BUT SHALL NOT BE PAID FOR SEPARATELY. THIS ITEM IS INCIDENTAL TO THE PAY ITEM FOR DETECTOR LOOPS.
- * ONE DIMENSION OF ALL DETECTOR LOOPS SHALL BE SIX FEET (1.8 m)
- * EACH LANE OF NON-LOCKING, PRESENCE DETECTION AND EACH LANE OF A DOUBLE LEFT TURN LANE REQUIRES A SEPARATE INDUCTIVE LOOP DETECTOR AND LEAD IN CABLE.
- * WHEN NON-LOCKING, PRESENCE DETECTION IS USED, MORE THAN ONE LOOP PER LANE IS REQUIRED BEHIND THE STOP BAR (i.e. 1-1/2, 1-3/4, 2).
- * WHEN SYSTEM LOOPS ARE REQUIRED ON AN APPROACH OF AN INTERSECTION, THE LOOPS USED FOR VOLUME DENSITY AND INTERSECTION TIMING SHALL ALSO BE USED AS SYSTEM DETECTORS. EACH ONE OF THESE TYPE OF LOOPS REQUIRES A SEPARATE TWO CONDUCTOR NO. 14 TWISTED SHIELDED CABLE AND A SEPARATE INDUCTIVE LOOP DETECTOR WHEN NEW CONTROLLERS ARE UTILIZED. THE DESIGNER SHALL LABEL THESE TYPES OF LOOPS AS "INTERSECTION AND SAMPLING (SYSTEM) DETECTORS" ON THE SIGNAL LAYOUT, THE INTERCONNECT PLAN AND THE SYSTEM CABLE PLAN. WHEN AN EXISTING CONTROLLER IS UTILIZED FOR THIS TYPE OF DETECTION, THE PAY ITEM "INDUCTIVE LOOP DETECTOR WITH SYSTEM OUTPUT" SHOULD BE USED.

PLACEMENT OF DETECTORS

THE FOLLOWING FIGURES REPRESENT THE MOST COMMON DETECTOR LOOP LOCATIONS AND SIZES. ADJUSTMENTS WILL BE NECESSARY FOR SPECIFIC GEOMETRIC CONSIDERATIONS.

LOCATIONS AND DEMENSIONS OF DETECTOR LOOPS ARE REQUIRED ON ALL SIGNAL LAYOUT PLAN SHEETS.

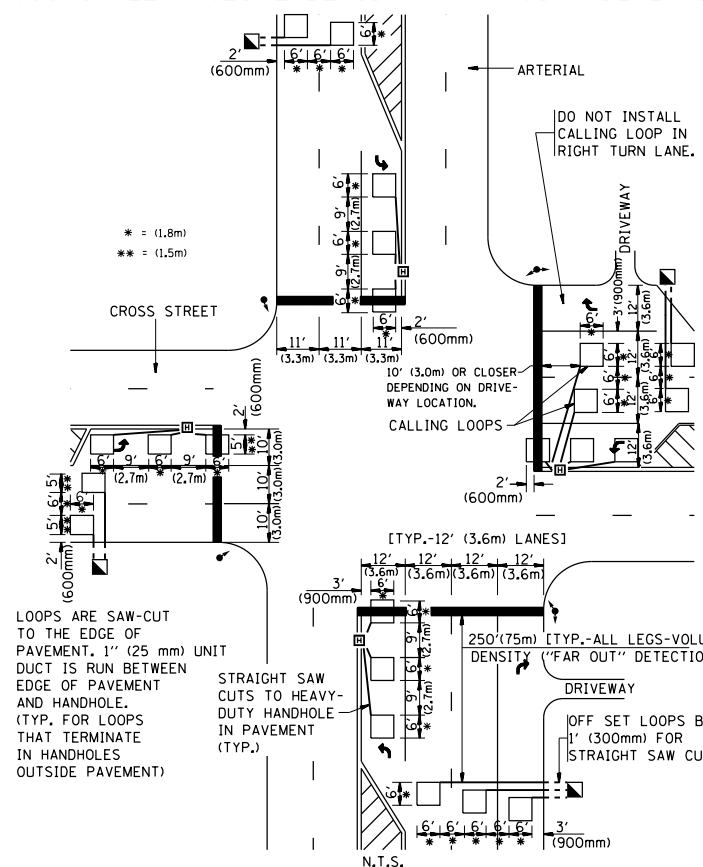
"FAR OUT" DETECTION REFERS TO LOCKING, PRESENCE TYPE DETECTION LOCATED IN THRU LANES, RIGHT TURN LANES, AND RIGHT TURN LANE TAPER AREAS (IF APPLICABLE), USUALLY 250' (75 m) IN ADVANCE OF STOP BARS. "UPTIGHT" DETECTION REFERS TO NON-LOCKING PRESENCE TYPE DETECTION LOCATED IN ALL LANES AND 10'-15' (3.0 m-4.5 m) BEHIND THE CROSSING STREET'S EDGE OF PAVEMENT EXTENDED.

NOTE:

ALL DETAILS AND NOTES SHOWN ARE FROM THE I.D.O.T. DISTRICT 1 TRAFFIC SIGNAL DESIGN GUIDELINES DATED JANUARY 1995

THIS DRAWING HAS BEEN PREPARED TO ASSIST THE RESIDENT ENGINEER FOR ALL ROADWAY RESURFACING OR S.M.A.R.T. PROJECTS WHERE THE DIMENSIONS ARE NOT SHOWN ON THE PLANS AND THE FINAL LOCATIONS FOR CROSSWALKS OR STOP BARS ARE NOT DETERMINED.

ARTERIAL-VOLUME DENSITY ("FAR OUT" DETECTION)
CROSS STREET-VOLUME DENSITY ("FAR OUT" DETECTION)

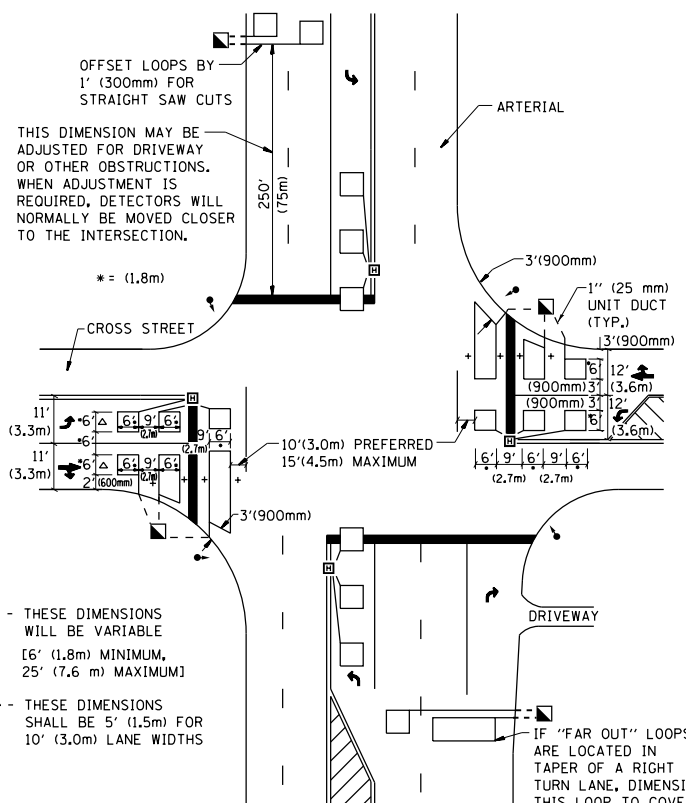


LOOPS ARE SAW-CUT TO THE EDGE OF PAVEMENT. 1" (25 mm) UNIT DUCT IS RUN BETWEEN EDGE OF PAVEMENT AND HANDHOLE. (TYP. FOR LOOPS THAT TERMINATE IN HANDHOLES OUTSIDE PAVEMENT)

STRAIGHT SAW CUTS TO HEAVY-DUTY HANDHOLE IN PAVEMENT (TYP.)

DETAIL 1
N.T.S.

ARTERIAL-VOLUME DENSITY ("FAR OUT" DETECTION)
CROSS STREET-NON VOLUME DENSITY ("UPTIGHT" PRESENCE DETECTION)



+ THESE DIMENSIONS WILL BE VARIABLE [6' (1.8m) MINIMUM, 25' (7.6 m) MAXIMUM]

Δ THESE DIMENSIONS SHALL BE 5' (1.5m) FOR 10' (3.0m) LANE WIDTHS

IF "FAR OUT" LOOPS ARE LOCATED IN TAPER OF A RIGHT TURN LANE, DIMENSION THIS LOOP TO COVER TAPER AREA. DO NOT COVER THE LEFT TURN LANE OR LEFT TURN LANE TAPER.

DETAIL 2
N.T.S.

FILE NAME =	USER NAME = elkhotibaj	DESIGNED -	REVISED -
pw:\IL\084EBIDINTEG\illinois.gov\PIWIDOT\Documents\IDOT Offices\District 1\Projects\DI077\Drawings\Design\Diststd.dgn		CHECKED - R.K.F.	REVISED -
PLOT SCALE = 100.0000' / 1"		DATE -	REVISED -
PLOT DATE = 4/6/2017			

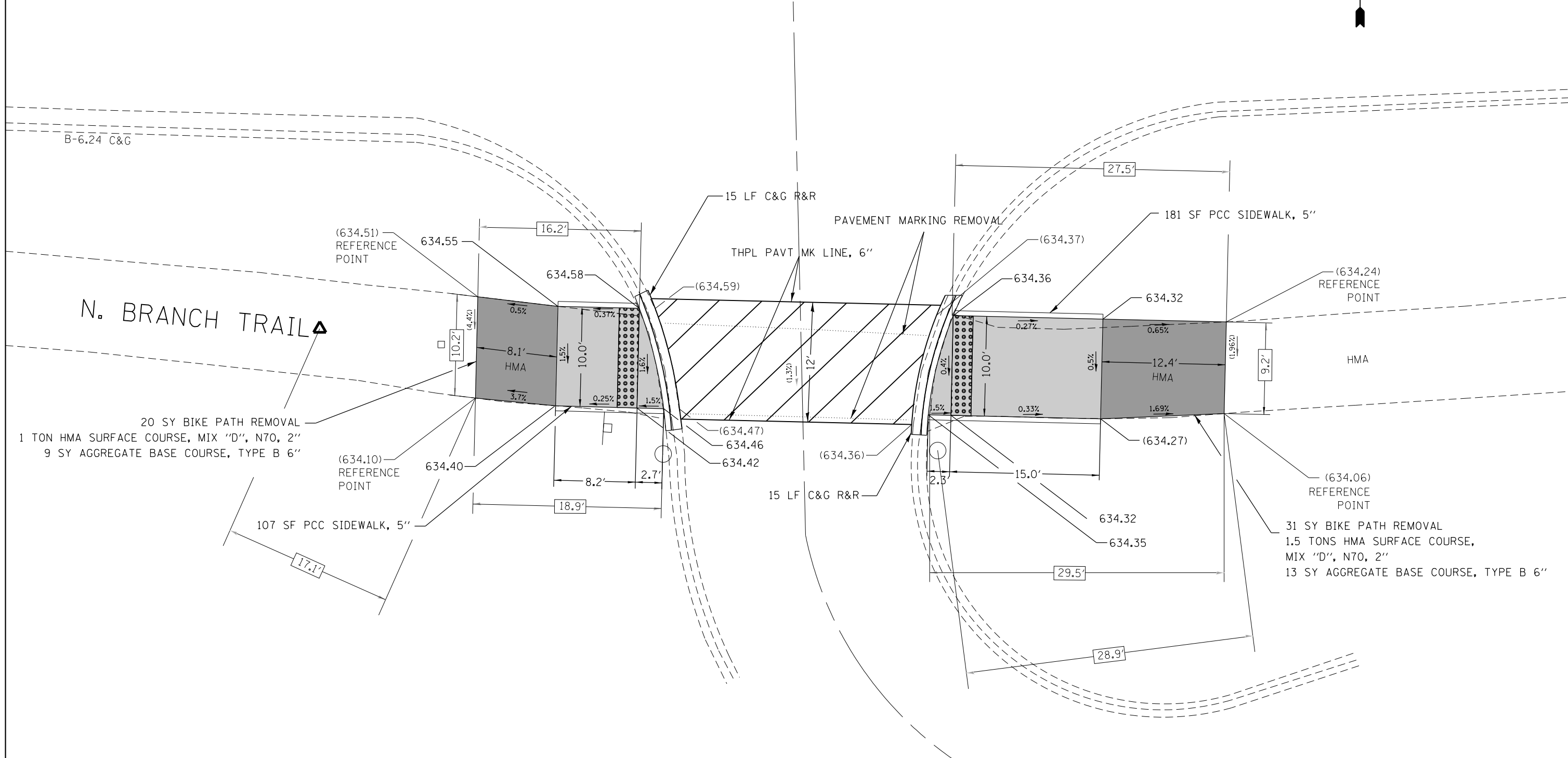
STATE OF ILLINOIS
DEPARTMENT OF TRANSPORTATION

DISTRICT 1 - DETECTOR LOOP INSTALLATION
DETAILS FOR ROADWAY RESURFACING

SCALE: NONE SHEET NO. 1 OF 1 SHEETS STA. TO STA.

F.A.U. RTE.	SECTION	COUNTY	TOTAL SHEETS	SHEET NO.
1282	2016-076RS	COOK	21	21
TS-07		CONTRACT NO. 62D68		
FED. ROAD DIST. NO. 1 ILLINOIS FED. AID PROJECT				

TOWER ROAD



N. BRANCH TRAIL

20 SY BIKE PATH REMOVAL
1 TON HMA SURFACE COURSE, MIX "D", N70, 2"
9 SY AGGREGATE BASE COURSE, TYPE B 6"

107 SF PCC SIDEWALK, 5"

31 SY BIKE PATH REMOVAL
1.5 TONS HMA SURFACE COURSE, MIX "D", N70, 2"
13 SY AGGREGATE BASE COURSE, TYPE B 6"

REFERENCE BENCHMARK ELEV 634.093
BENCHMARK : CROSS CUT ON TOP OF CURB JUST WEST OF THE BRIDGE JOINT
LOCATION : JUST W/O THE WEST JOINT OF THE BRIDGE OVER SKOKIE LAGOONS

LEGEND

-
- EXISTING LENGTH
-
- PROPOSED SIDE CURB
-
- EXISTING ELEVATION/SLOPE
-
- DETECTABLE WARNINGS
-
- PROPOSED SIDEWALK
-
- PROPOSED BIKEPATH

FILE NAME =	USER NAME = elkhatabaj	DESIGNED -	REVISED - 05-08-2017 A.E.
pw\11084EBIDINTEG.illinois.gov\PIWIDOT\Documents\DOT Offices\District 1\Projects\DI07717\Drawings\Design\DI07717-sht-details.dgn		DRAWN -	REVISED -
Default	PLOT SCALE = 10.0000' / in.	CHECKED -	REVISED -
	PLOT DATE = 5/8/2017	DATE -	REVISED -

**STATE OF ILLINOIS
DEPARTMENT OF TRANSPORTATION**

**SIDEWALK DETAIL PLAN
TOWER RD. (I-94 W. FRONTAGE RD. TO W/O FORESTWAY DR.)**

SCALE: SHEET OF SHEETS STA. TO STA.

F.A.U. RTE.	SECTION	COUNTY	TOTAL SHEETS	SHEET NO.
1282	2016-076R5	COOK	21	8A
CONTRACT NO. 62D68				
ILLINOIS FED. AID PROJECT				