

STATE OF ILLINOIS  
DEPARTMENT OF TRANSPORTATION

F.A. RTE.	SECTION	COUNTY	TOTAL SHEETS
VAR.	2016-0901	VARIOUS	43
		ILLINOIS	1
			CONTRACT NO. 62D92

⚠ \*43+3=46 TOTAL SHEETS

D-91-147-17

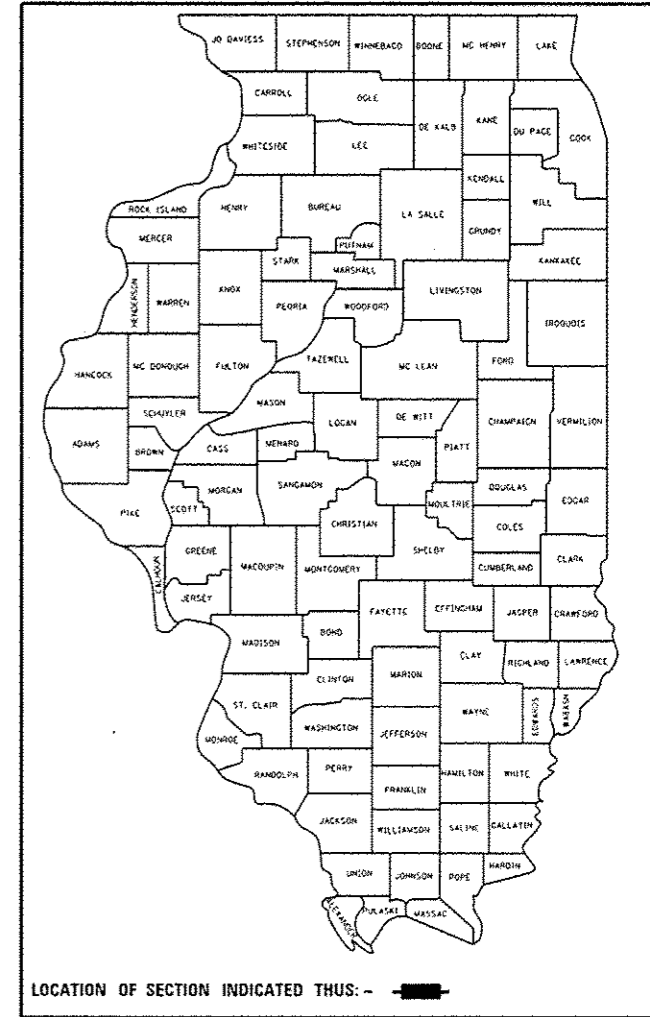
FOR INDEX OF SHEETS, SEE SHEET NO. 2

IMPROVEMENTS ARE LOCATED IN THE CITIES OF CHICAGO, ELGIN & COUNTRY CLUB HILLS AND THE VILLAGES OF HINSDALE, BARTLETT, ELMHURST, MOKENA AND WILLOW SPRINGS.

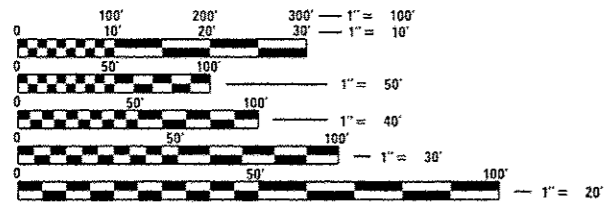
**PROPOSED  
HIGHWAY PLANS**

ROUTE: VARIOUS  
MEDIAN BARRIER; BRIDGE REPAIRS  
VARIOUS LOCATIONS  
SECTION 2016-0901  
VARIOUS COUNTIES

C-91-147-17



SEE SHEETS 9 THRU 31  
FOR LOCATIONS



FULL SIZE PLANS HAVE BEEN PREPARED USING STANDARD ENGINEERING SCALES. REDUCED SIZED PLANS WILL NOT CONFORM TO STANDARD SCALES. IN MAKING MEASUREMENTS ON REDUCED PLANS, THE ABOVE SCALES MAY BE USED.

J.U.L.I.E.  
JOINT UTILITY LOCATION INFORMATION FOR EXCAVATION  
1-800-892-0123  
OR 811

PROJECT ENGINEER: MIDY, J. ALAIN (847) 221-3056  
PROJECT MANAGER: ISSAM RAYYAN (847) 705-4178

CONTRACT NO. 62D92

STATE OF ILLINOIS  
DEPARTMENT OF TRANSPORTATION

SUBMITTED April 3 2017  
Anthony J. Emery Jr.  
REGIONAL ENGINEER

Marla 2017  
Marla M. Addison  
ENGINEER OF DESIGN AND ENVIRONMENT

Marla 2017  
Marla M. Addison  
DIRECTOR OF PROGRAM DEVELOPMENT

PRINTED BY THE AUTHORITY  
OF THE STATE OF ILLINOIS

⚠ REV 6-7-17

**INDEX OF SHEETS**

**STATE STANDARDS**

SHEET NO.	DESCRIPTION	SHEET NO.	DESCRIPTION	STD NO.	DESCRIPTION
1.	TITLE SHEET	29.	EXISTING BRIDGE PLAN (SN 022-2006), LOCATION 14	635001-02	DELINEATORS
2.	INDEX OF SHEETS AND STATE STANDARDS	30.	EXISTING BRIDGE CROSS SECTION (SN 022-2006), LOCATION 14	637001-05	CONCRETE BARRIER 32" HEIGHT
3.	GENERAL NOTES	31.	WING WALL REPAIR DETAILS (SN 099-0010), LOCATION 15	637006-03	CONCRETE BARRIER 42" HEIGHT
4.	SUMMARY OF QUANTITIES	32.	BIKE PATH CONCRETE WALL REPAIR, LOCATION 15	701101-05	OFF-RD OPERATIONS, MULTILANE, 15' TO 24" FROM PAVEMENT EDGE
5.	SCHEDULE OF QUANTITIES	33.	STEEL RAILING, TYPE S-1, LOCATION 15	701106-02	OFF-RD OPERATIONS, MULTILANE, MORE THAN 15' AWAY
6.	TYPICAL REPAIR FOR FULL DEPTH BARRIER WALL	34.	BARRIER WALL REPAIR DETAILS, LOCATION 16	701400-09	APPROACH TO LANE CLOSURE, FREEWAY/EXPRESSWAY
7.	TYPICAL REPAIR FOR HALF DEPTH BARRIER WALL	34A;B;C	BARRIER WALL REPAIR DETAILS, LOCATION 17	701401-10	LANE CLOSURE, FREEWAY/EXPRESSWAY
8.	TYPICAL BRIDGE PARAPET REPAIR DETAILS	35-36	TRAFFIC CONTROL PLAN	701411-09	LANE CLOSURE, MULTILANE, AT ENTRANCE OR EXIT RAMP, FOR SPEEDS > 45 MPH
9.	BARRIER WALL REPAIR DETAILS, LOCATION 1 & 1A	37.	TRAFFIC CONTROL DETAILS FOR FREEWAY SINGLE AND MULTI-LANE WEAVE (TC-09)	701421-08	LANE CLOSURE, MULTILANE, DAY OPERATIONS ONLY, FOR SPEEDS > 45 MPH TO 55 MPH
10.	EXISTING ABATEMENT WALL GROUND MOUNTED, LOCATION 1	38.	TRAFFIC CONTROL AND PROTECTION FOR SIDE ROADS, INTERSECTIONS AND DRIVEWAYS (TC-10)	701426-09	LANE CLOSURE, MULTILANE, INTERMITTENT OR MOVING OPERATIONS, FOR SPEEDS > 45 MPH
11.	EXISTING WOOD NOISE WALL DETAILS, LOCATION 1A	39.	TRAFFIC CONTROL DETAILS FOR FREEWAY SHOULDER CLOSURES AND PARTIAL RAMP CLOSURES (TC-17)	701427-05	LANE CLOSURE, MULTILANE, INTERMITTENT OR MOVING OPERATIONS, FOR SPEEDS <40 MPH
12.	NOISE ABATEMENT WALL, LOCATION 1B	40-41	ELECTRIC CONNECTION TO SIGN STRUCTURE SPAN TYPE (BE-600)	701428-01	TRAFFIC CONTROL SETUP AND REMOVAL FREEWAY/EXPRESSWAY
13.	NOISE ABATEMENT WALL, LOCATION 1C	42	MISC. ELECTRICAL DETAILS SHEET A (BE-702)	701601-09	URBAN LANE CLOSURE, MULTILANE, 1W OR 2W WITH NON TRAVERSABLE MEDIAN
14.	NOISE ABATEMENT WALL, LOCATION 2	43	MISC. ELECTRICAL DETAILS SHEET B (BE-703)	701606-10	URBAN SINGLE LANE CLOSURE, MULTILANE, 2W WITH MOUNTABLE MEDIAN
15.	BARRIER WALL REPAIR DETAILS, LOCATION 3			701801-06	SIDEWALK, CORNER OR CROSSWALK CLOSURE
16.	BARRIER WALL REPAIR DETAILS, LOCATION 4			701901-06	TRAFFIC CONTROL DEVICES
17.	BARRIER WALL REPAIR DETAILS, LOCATION 5			782006	GUARDRAIL AND BARRIER WALL REFLECTOR MOUNTING DETAILS
18.	BARRIER WALL REPAIR DETAILS, LOCATION 6				
19.	BARRIER WALL REPAIR DETAILS, LOCATION 7 & 7A				
20.	EXISTING WOOD NOISE WALL DETAILS, LOCATION 7A				
21.	BARRIER WALL REPAIR DETAILS, LOCATION 8				
22.	BARRIER WALL REPAIR DETAILS, LOCATION 9				
23.	BARRIER WALL REPAIR DETAILS, LOCATION 10				
24.	BARRIER WALL REPAIR DETAILS, LOCATION 11				
25.	BARRIER WALL REPAIR DETAILS, LOCATION 12				
26.	BARRIER WALL REPAIR DETAILS, LOCATION 13				
27.	EXISTING BRIDGE DECK PLAN (SN 016-2026), LOCATION 13				
28.	BARRIER WALL REPAIR DETAILS, LOCATION 14				

△ REV 6-7-17

FILE NAME :	USER NAME : gorengeatob	DESIGNED :	REVISED :	<b>STATE OF ILLINOIS DEPARTMENT OF TRANSPORTATION</b>	<b>INDEX OF SHEETS STATE STANDARDS</b>			F.A. RTE.	SECTION	COUNTY	TOTAL SHEETS	SHEET NO.
Default		CHECKED :	REVISED :					VAR.	2016-0901	VARIOUS	43	2
	PLOT SCALE : 1/8" = 1'-0"	DATE :	REVISED :		SCALE: SHEET OF SHEETS STA. TO STA.			CONTRACT NO. 62092				
	PLOT DATE : 5/30/2017	DATE :	REVISED :		ILLINOIS FED. AID PROJECT							

URBAN

SUMMARY OF QUANTITIES			CONSTRUCTION TYPE CODE 0040				
CODE NO	ITEM	UNIT	TOTAL QUANTITIES	100% STATE			
				0004			
20200100	EARTH EXCAVATION	CU YD	42.5	42.5			
21101505	TOPSOIL EXCAVATION AND PLACEMENT	CU YD	8.5	8.5			
25000210	SEEDING, CLASS 2A	ACRE	0.01	0.01			
28001100	TEMPORARY EROSION CONTROL BLANKET	SO YD	70	70			
44213200	SAW CUTS	FOOT	82.5	82.5			
44213202	TIE BARS 1"	EACH	263	263			
50102400	CONCRETE REMOVAL	CU YD	48.3	48.3			
50300225	CONCRETE STRUCTURES	CU YD	43.4	43.4			
50300255	CONCRETE SUPERSTRUCTURE	CU YD	5.95	5.95			
50300300	PROTECTIVE COAT	SO YD	164.5	164.5			
50800205	REINFORCEMENT BARS, EPOXY COATED	POUND	898	898			
50800530	MECHANICAL SPLICERS	EACH	62	62			
50901750	PARAPET RAILING	FOOT	35	35			
63302700	REMOVE AND REERECT TRAFFIC BARRIER TERMINALS, TYPE 6	EACH	3	3			
67000400	ENGINEER'S FIELD OFFICE, TYPE A	CAL MO	6	6			
67100100	MOBILIZATION	LSUM	1	1			

URBAN

SUMMARY OF QUANTITIES			CONSTRUCTION TYPE CODE 0040				
CODE NO	ITEM	UNIT	TOTAL QUANTITIES	100% STATE			
				0004			
70100310	TRAFFIC CONTROL AND PROTECTION, STANDARD 701421	LSUM	1	1			
70102625	TRAFFIC CONTROL AND PROTECTION, STANDARD 701606	LSUM	1	1			
70102630	TRAFFIC CONTROL AND PROTECTION, STANDARD 701601	LSUM	1	1			
70102640	TRAFFIC CONTROL AND PROTECTION, STANDARD 701801	LSUM	1	1			
70200100	NIGHTTIME WORK ZONE LIGHTING	LSUM	1	1			
81200230	CONDUIT EMBEDDED IN STRUCTURE, 2" DIA., PVC	FOOT	20	20			
81200240	CONDUIT EMBEDDED IN STRUCTURE, 2 1/2" DIA., PVC	FOOT	55	55			
81200270	CONDUIT EMBEDDED IN STRUCTURE, 4" DIA., PVC	FOOT	5	5			
81603090	UNIT DUCT, 600V, 3-1C NO. 4, 1/C NO. 6 GROUND, (XLP-TYPE USE), 1 1/4" DIA. POLYETHYLENE	FOOT	275	275			
X0326791	NOISE ABATEMENT WALL REPAIRS	LSUM	1	1			
X6640594	CHAIN LINK FENCE POST 4'	EACH	1	1			
X7010410	SPEED DISPLAY TRAILER	CAL MO	6	6			
X7010817	TRAFFIC CONTROL AND PROTECTION, STANDARD TC-17	EACH	2	2			
X7011015	TRAFFIC CONTROL AND PROTECTION (EXPRESSWAYS)	LSUM	1	1			
X7040010	TEMPORARY CONCRETE BARRIER (SPECIAL)	FOOT	22	22			
X8131168	JUNCTION BOX, NON-METALLIC, EMBEDDED IN STRUCTURE, 21" X 11" X 08"	EACH	1	1			
X8951011	REMOVE AERIAL CABLE	FOOT	202	202			
Z0012755	STRUCTURAL REPAIR OF CONCRETE (DEPTH GREATER THAN 5 INCHES)	SO FT	50	50			
Z0030850	TEMPORARY INFORMATION SIGNING	SO FT	51.4	51.4			

FILE NAME *	USER NAME * goringu00	DESIGNED -	REVISED -
OFFICE/DISTRICT/PROJECT/DATE/SCALE/PLANT/DATE	OFFICE/DISTRICT/PROJECT/DATE/SCALE/PLANT/DATE	CHECKED -	REVISED -
PLANT SCALE * 1/8" = 1'	PLANT DATE * 4/10/2007	DATE -	REVISED -

STATE OF ILLINOIS  
DEPARTMENT OF TRANSPORTATION

SUMMARY OF QUANTITIES			
SCALE:	SHEET NO. OF SHEETS	STA.	TO STA.

F.A. RTE.	SECTION	COUNTY	TOTAL SHEETS	SHEET NO.
VAR.	2016-0901	VARIOUS	43	4
FED. ROAD DIST. NO. 1 ILLINOIS FED. AID PROJECT			CONTRACT NO. 62D92	

REV 6-7-17

**COOK COUNTY**

SCHEDULE OF QUANTITIES	IL 59	I-80	I-55 / E 25th ST	I-55	I-90/94 (KENNEDY EXPY)	US 41	US 12; 20; 45	IL 83	I-57	I-90/94 DAN RYAN
LOCATION	2	3	4	5	6, 17	10	11	12	13	16
TRAFFIC CONTROL AND PROTECTION, STANDARD 701601			X		△					
TRAFFIC CONTROL AND PROTECTION (EXPRESSWAY)		X		X	X				X	X
TRAFFIC CONTROL AND PROTECTION, STANDARD 701421	X							X		
TRAFFIC CONTROL AND PROTECTION, STANDARD 701606										
TRAFFIC CONTROL AND PROTECTION, STANDARD 701801										
NIGHTTIME WORK ZONE LIGHTING		X		X	X				X	X
TC-17						X	X			

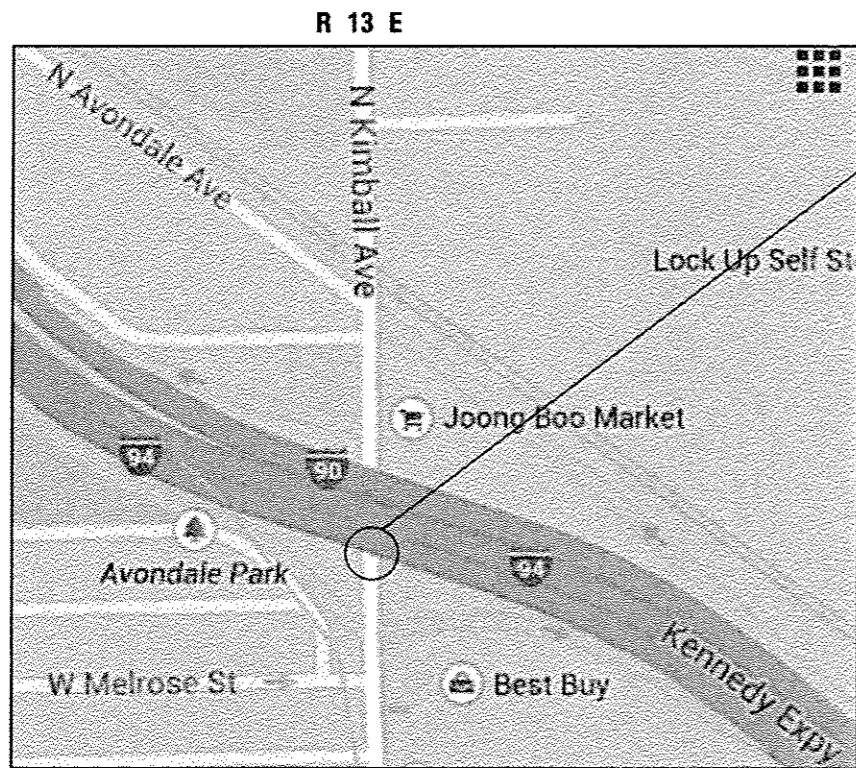
**DU PAGE COUNTY**

**KANE COUNTY**

**WILL COUNTY**

SCHEDULE OF QUANTITIES	IL 83	I-290	I-55	US 20	I-80	I-55
LOCATION	1; 1A; 1B; 1C	7 & 7A	14	9	8	15
TRAFFIC CONTROL AND PROTECTION, STANDARD 701601						
TRAFFIC CONTROL AND PROTECTION (EXPRESSWAY)		X	X		X	X
TRAFFIC CONTROL AND PROTECTION, STANDARD 701421	X			X		
TRAFFIC CONTROL AND PROTECTION, STANDARD 701606						
TRAFFIC CONTROL AND PROTECTION, STANDARD 701801						X
NIGHTTIME WORK ZONE LIGHTING		X	X		X	X
TC-17						

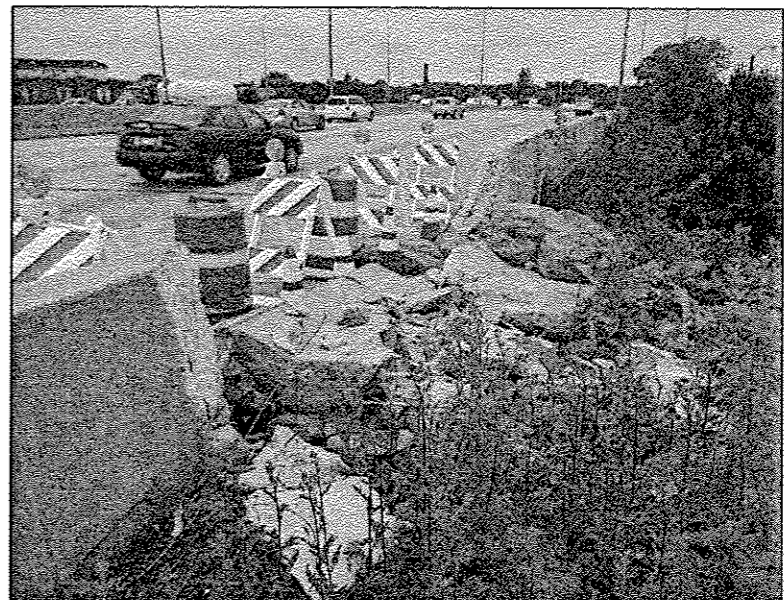
△ REV 6-7-17



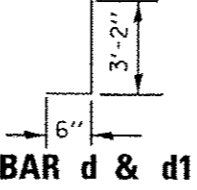
**LOCATION 17:**  
**I-90/94 (KENNEDY EXPY) OVER**  
**KIMBALL AVE. NORTH PARAPET**  
**WALL. FULL HEIGHT REPAIR.**  
**STRUCTURE 016-1109**  
**NE CORNER**

**TRAFFIC DATA**

I-90/94: 2016 ADT = 266400  
 SPEED LIMIT = 55 MPH



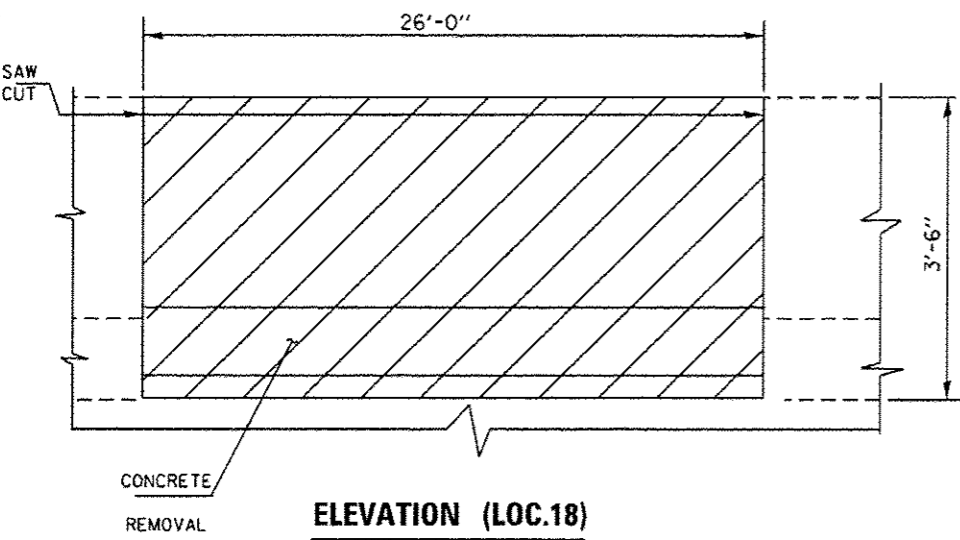
**FULL DEPTH REPAIR**  
**REPLACE 26' OF BARRIER WALL**



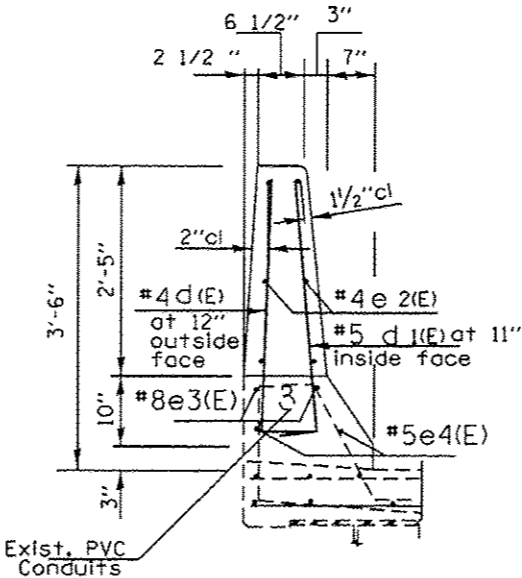
**BILL OF MATERIALS**

BAR	SIZE	LENGTH	SHAPE	QUANTITY
e <sub>2</sub> (E)	#4	25'-9"	—	6
e <sub>3</sub> (E)	#8	25'-9"	—	2
e <sub>4</sub> (E)	#5	25'-9"	—	2
d <sub>(E)</sub>	#4	3'-8"	┌	25
d <sub>(E)</sub>	#5	3'-8"	┌	28
MECHANICAL SPLICE			EACH	20
REINFORCEMENT BARS EPOXY COATED			LBS	463
CONCRETE SUPERSTRUCTURE			CU. YDS	3.50
CONCRETE REMOVAL			CU. YDS	3.50
PROTECTIVE COAT			SQ. YDS	13
SAW CUT			FOOT	7

**CITY OF CHICAGO**  
**JEFFERSON TOWNSHIP, COOK COUNTY**



**ELEVATION (LOC.18)**  
**FULL HEIGHT REPAIR**



**SECTION THRU PARAPET**  
 (FOR MORE DETAILS SEE SHEET #8)

**NOTE:**

EXISTING REINFORCEMENT BARS EXTENDING INTO THE REMOVAL AREA SHALL BE CLEANED, STRAIGHTENED AND INCORPORATED INTO THE NEW CONSTRUCTION. ANY REINFORCEMENT BARS THAT ARE DAMAGED OR DAMAGED DURING CONCRETE REMOVAL SHALL BE REPLACED WITH AN APPROVED BAR SPLICER OR ANCHORAGE SYSTEM. COST INCLUDED WITH CONCRETE REMOVAL. ALL BARS SHALL BE CUT IN FIELD TO FIT EXISTING SHAPE AND CLEARANCE.

FILE NAME :	USER NAME : gorengautab	DESIGNED -	REVISED -	STATE OF ILLINOIS DEPARTMENT OF TRANSPORTATION	LOCATION 17 I-90/94 OVER KIMBALL AVE (SN 016-1109)	F.A. RTE.	SECTION	COUNTY	TOTAL SHEETS	SHEET NO.
Default	Documents\DOT Offices\District 1\Projects\DOT 18\18000 to 18999\Design\0161109\17-shr-1-plan.dgn	CHECKED -	REVISED -			VAR.	2016-0901	VARIOUS	43	34A
	PLOT SCALE = 1/8" = 1'-0"	DATE -	REVISED -			CONTRACT NO. 62D92				
	PLOT DATE = 5/30/2017					SCALE:	SHEET 1	OF 3 SHEETS	STA.	TO STA.

Sheet Added 6-7-17



