

Note:
Offsets are measured from the centerline of Northmoor Rd. to the front face of the wall.

FILE NAME = P:\2015\0595 Peoria Northmoor Road Retaining Wall Project\Project Files\Milhouse Dwg\A\Dgn Wall Right\SB-2_G.P.E.dgn



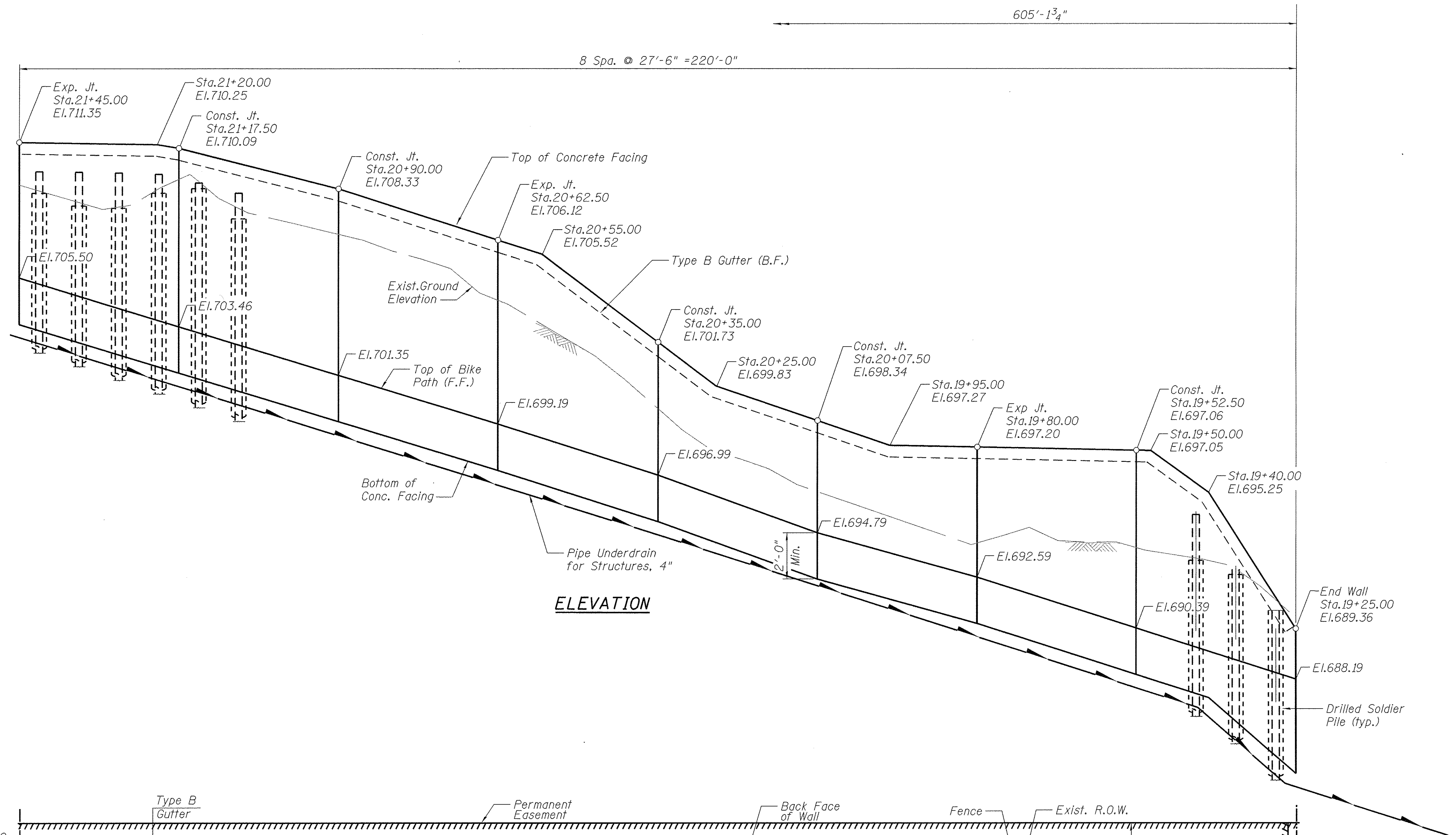
USER NAME = tsledge	DESIGNED - LAS	REVISED -
PLOT SCALE = 10.0000' / 1" =	CHECKED - DAZ	REVISED -
PLOT DATE = 3/9/2017	DRAWN - TCS	REVISED -
	CHECKED - LAS	REVISED -

STATE OF ILLINOIS
DEPARTMENT OF TRANSPORTATION

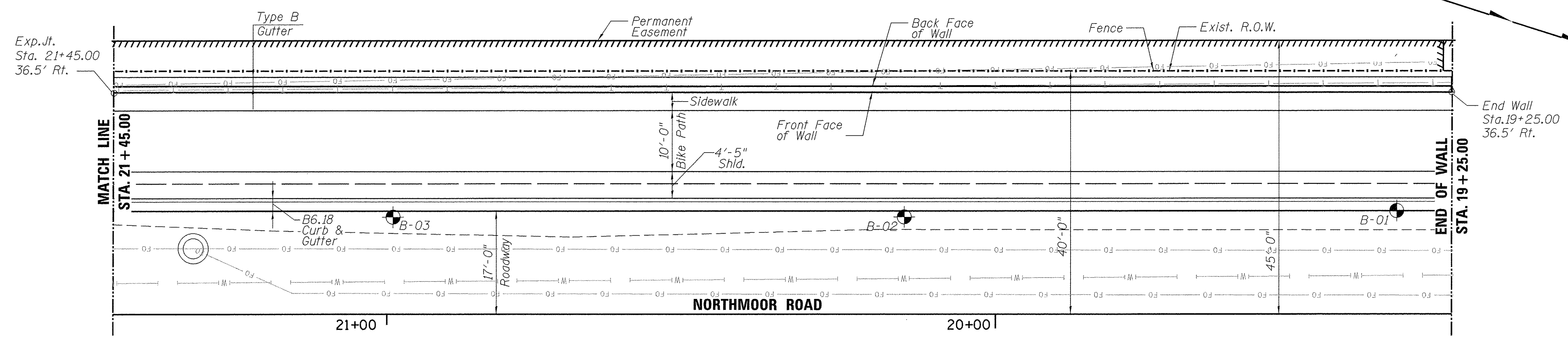
GENERAL PLAN & ELEVATION 2
WALL B STA 19+25.00 to STA. 25+30.15

SHEET NO. SB-2 OF SB-17 SHEETS

F.A.U. RTE. 6647	SECTION 05-00302-00-PV	COUNTY PEORIA	TOTAL SHEETS 385	SHEET NO. 226
CONTRACT NO. 89386				
ILLINOIS FED. AID PROJECT M-5093 (136)				



ELEVATION



PLAN

Note:
Offsets are measured from the centerline of Northmoor Rd. to the front face of the wall.

FILE NAME = P:\2015\0595 Peoria Northmoor Road Restoring Wall Project - Hansen\Project Files\Milhouse_Drgr\A.Dgn Wall Right\SB-3_G.P.E.dgn



USER NAME = tsledge	DESIGNED - LAS	REVISED -
PLOT SCALE = 1/8" = 1' / in.	CHECKED - DAZ	REVISED -
PLOT DATE = 3/18/2017	DRAWN - TCS	REVISED -
	CHECKED - LAS	REVISED -

**STATE OF ILLINOIS
DEPARTMENT OF TRANSPORTATION**

**GENERAL PLAN & ELEVATION 3
WALL B STA 19+25.00 TO STA. 25+30.15**

SHEET NO. SB-3 OF SB-17 SHEETS

F.A.U. RTE. 6647	SECTION 05-00302-00-PV	COUNTY PEORIA	TOTAL SHEETS 385	SHEET NO. 227
CONTRACT NO. 89386				ILLINOIS FED. AID PROJECT M-5093 (136)

GENERAL NOTES

1. Reinforcement bars designated (E) shall be epoxy coated.
2. The Contractor is responsible for the design and performance of the lagging using no less than 3" nominal rough-sawn thickness and timber with a minimum allowable bending stress of 1000 psi.
3. Existing buried utilities to be relocated as necessary. See Roadway Plans.

INDEX OF SHEETS

- SB-1. General Plan and Elevation 1
- SB-2. General Plan and Elevation 2
- SB-3. General Plan and Elevation 3
- SB-4. General Data
- SB-5. Soldier Pile Layout 1
- SB-6. Soldier Pile Layout 2
- SB-7. Details
- SB-8. Concrete Facing 1
- SB-9. Concrete Facing 2
- SB-10. Concrete Facing 3
- SB-11. Concrete Facing 4
- SB-12. Concrete Facing Details
- SB-13. Boring Logs 1
- SB-14. Boring Logs 2
- SB-15. Boring Logs 3
- SB-16. Boring Logs 4
- SB-17. Boring Logs 5

DESIGN SPECIFICATIONS

2012 AASHTO LRFD Bridge Design Specifications 6th Edition with 2016 Interims

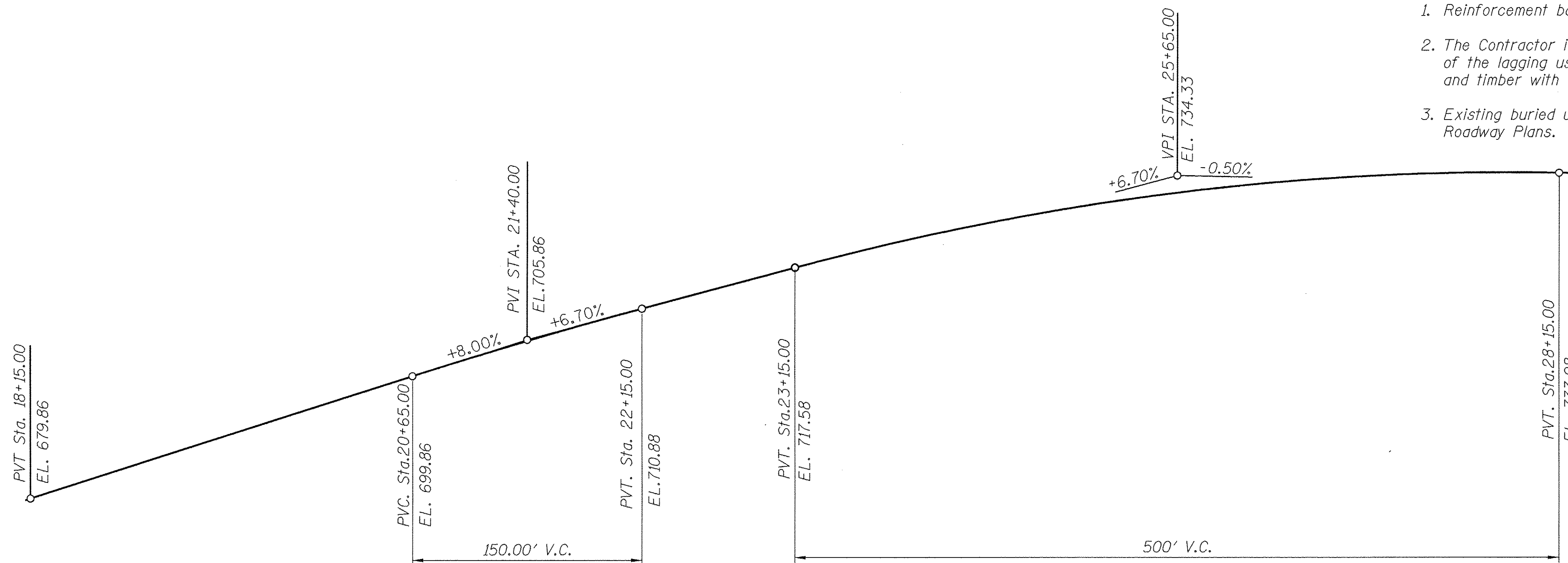
DESIGN STRESSES

FIELD UNITS

$f'_c = 3,500$ psi
 $f_y = 60,000$ psi (reinforcement)
 $F_y = 50,000$ psi (M270 Grade 50)

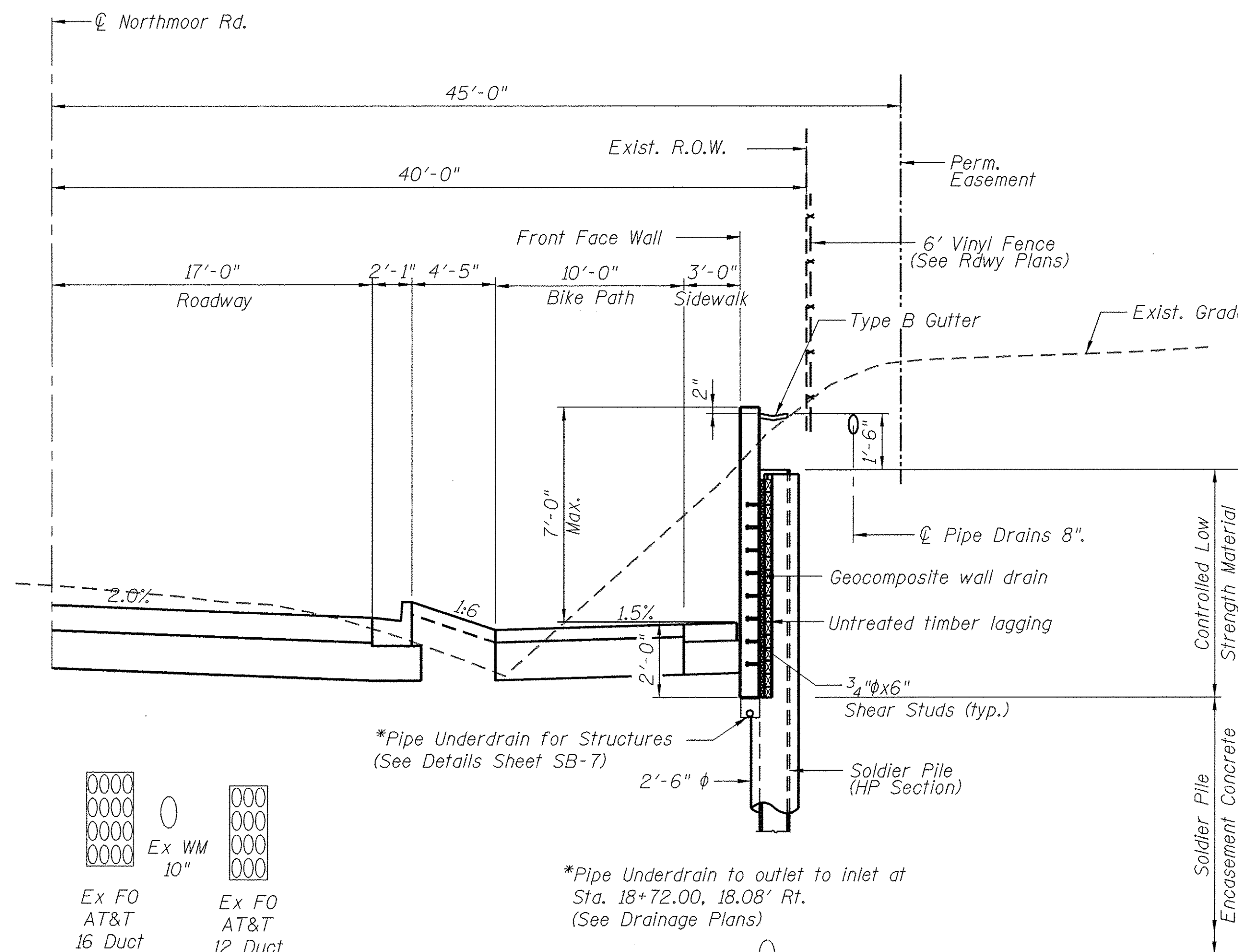
TOTAL BILL OF MATERIAL

ITEM	UNIT	QUANTITY
Structure Excavation	Cu. Yd.	479
Concrete Structures	Cu. Yd.	166.2
Stud Shear Connectors	Each	586
Reinforcement Bars, Epoxy Coated	Pound	14,800
Furnishing Soldier Pile (HP Section)	Foot	1,568
Drilling and Setting Soldier Piles (In Soil)	Cu. Ft.	7,610
Untreated Timber Lagging	Sq. Ft.	3,115
Concrete Sealer	Sq. Ft.	3,248
Geocomposite Wall Drain	Sq. Yd.	376
Pipe Underdrains for Structures 4"	Foot	661

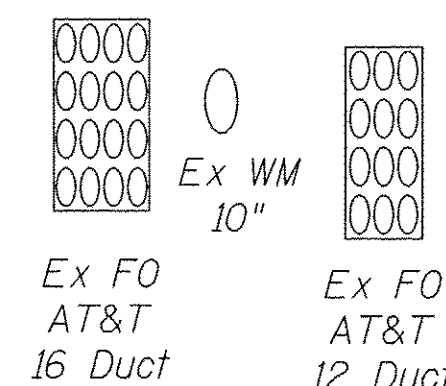


PROFILE GRADE

(Located At Northmoor Road)



TYPICAL SECTION
Looking East



*Pipe Underdrain for Structures (See Details Sheet SB-7)

*Pipe Underdrain to outlet to inlet at Sta. 18+72.00, 18.08' Rt. (See Drainage Plans)

FILE NAME = P:\2015\0595 Peoria Northmoor Road Retaining Wall Project - Hanson\Project Files\Milhouse Dwg's\Dgn Wall Right\SB-4_SenData.dgn



USER NAME = tsledge
 PLOT SCALE = 50.0000' / 1in.
 PLOT DATE = 3/9/2017

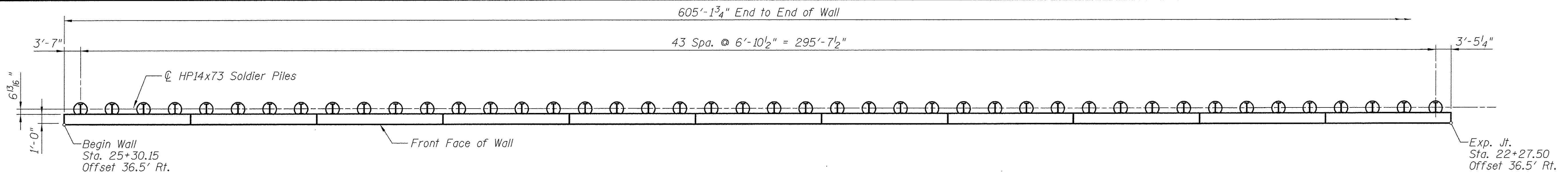
DESIGNED - LAS	REVISED -
CHECKED - DAZ	REVISED -
DRAWN - TCS	REVISED -
CHECKED - LAS	REVISED -

STATE OF ILLINOIS
DEPARTMENT OF TRANSPORTATION

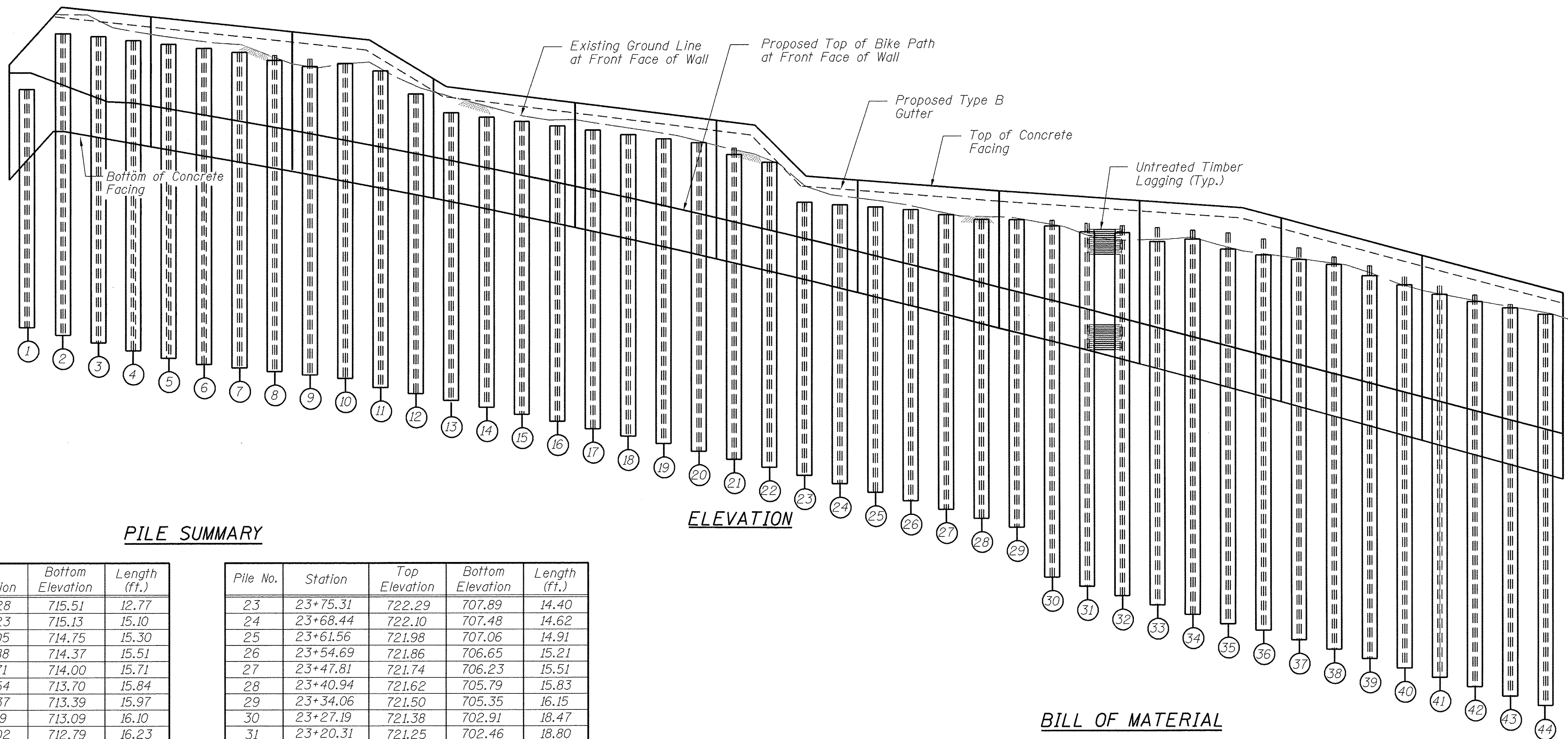
GENERAL DATA
WALL B STA 19+25.00 to STA. 25+30.15

SHEET NO. SB-4 OF SB-17 SHEETS

F.A.U. RTE.	SECTION	COUNTY	TOTAL SHEETS	SHEET NO.
6647	05-00302-00-PV	PEORIA	385	228
CONTRACT NO. 89386				
ILLINOIS FED. AID PROJECT M-5093 (136)				



PLAN



ELEVATION

PILE SUMMARY

Pile No.	Station	Top Elevation	Bottom Elevation	Length (ft.)
1	25+26.56	728.28	715.51	12.77
2	25+19.69	730.23	715.13	15.10
3	25+12.81	730.05	714.75	15.30
4	25+05.94	729.88	714.37	15.51
5	24+99.06	729.71	714.00	15.71
6	24+92.19	729.54	713.70	15.84
7	24+85.31	729.37	713.39	15.97
8	24+78.44	729.19	713.09	16.10
9	24+71.56	729.02	712.79	16.23
10	24+64.69	728.85	710.49	18.36
11	24+57.81	728.41	712.18	16.22
12	24+50.94	727.37	711.88	15.49
13	24+44.06	726.46	711.55	14.91
14	24+37.19	726.25	711.21	15.04
15	24+30.31	726.04	710.87	15.17
16	24+23.44	725.84	710.53	15.31
17	24+16.56	725.63	710.16	15.47
18	24+09.69	725.42	709.80	15.62
19	24+02.81	725.22	709.44	15.78
20	23+95.94	725.01	709.06	15.95
21	23+89.06	724.81	708.67	16.14
22	23+82.19	723.99	708.28	15.71

Pile No.	Station	Top Elevation	Bottom Elevation	Length (ft.)
23	23+75.31	722.29	707.89	14.40
24	23+68.44	722.10	707.48	14.62
25	23+61.56	721.98	707.06	14.91
26	23+54.69	721.86	706.65	15.21
27	23+47.81	721.74	706.23	15.51
28	23+40.94	721.62	705.79	15.83
29	23+34.06	721.50	705.35	16.15
30	23+27.19	721.38	702.91	18.47
31	23+20.31	721.25	702.46	18.80
32	23+13.44	721.13	702.00	19.13
33	23+06.56	721.01	701.55	19.47
34	22+99.69	720.89	701.09	19.80
35	22+92.81	720.77	700.63	20.15
36	22+85.94	720.45	700.17	20.29
37	22+79.06	719.99	699.70	20.29
38	22+72.19	719.53	699.24	20.29
39	22+65.31	719.07	698.78	20.29
40	22+58.44	718.61	698.32	20.29
41	22+51.56	718.15	697.86	20.29
42	22+44.69	717.69	697.40	20.29
43	22+37.81	717.23	696.94	20.29
44	22+30.94	716.77	696.48	20.29

BILL OF MATERIAL

Item	Unit	Quantity
Furnishing Soldier Piles (HP Section)	Foot	1568
Drilling and Setting soldier Piles (In Soil)	Cu. Ft.	7610
Untreated Timber Lagging	Sq. Ft.	3115
Stud Shear Connectors	Each	586

Note: All offsets are to the right of centerline Northmoor.

FILE NAME = P:\2015\0525 Peoria Northmoor Road Retaining Wall Project - Hanson\Project Files\Milhouse Drg's\Dgn Wall Right\SB-5.dgn



USER NAME = tsledge
 PLOT SCALE = 12.0000' / 1" IN.
 PLOT DATE = 3/10/2017

DESIGNED - LAS
 CHECKED - DAZ
 DRAWN - TCS
 CHECKED - LAS

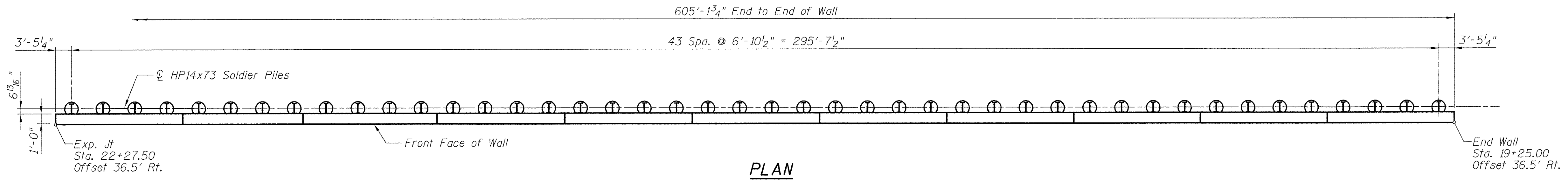
REVISED -
 REVISED -
 REVISED -
 REVISED -

STATE OF ILLINOIS
 DEPARTMENT OF TRANSPORTATION

SOLDIER PILE LAYOUT 1
WALL B STA 19+25.00 to STA. 25+30.15

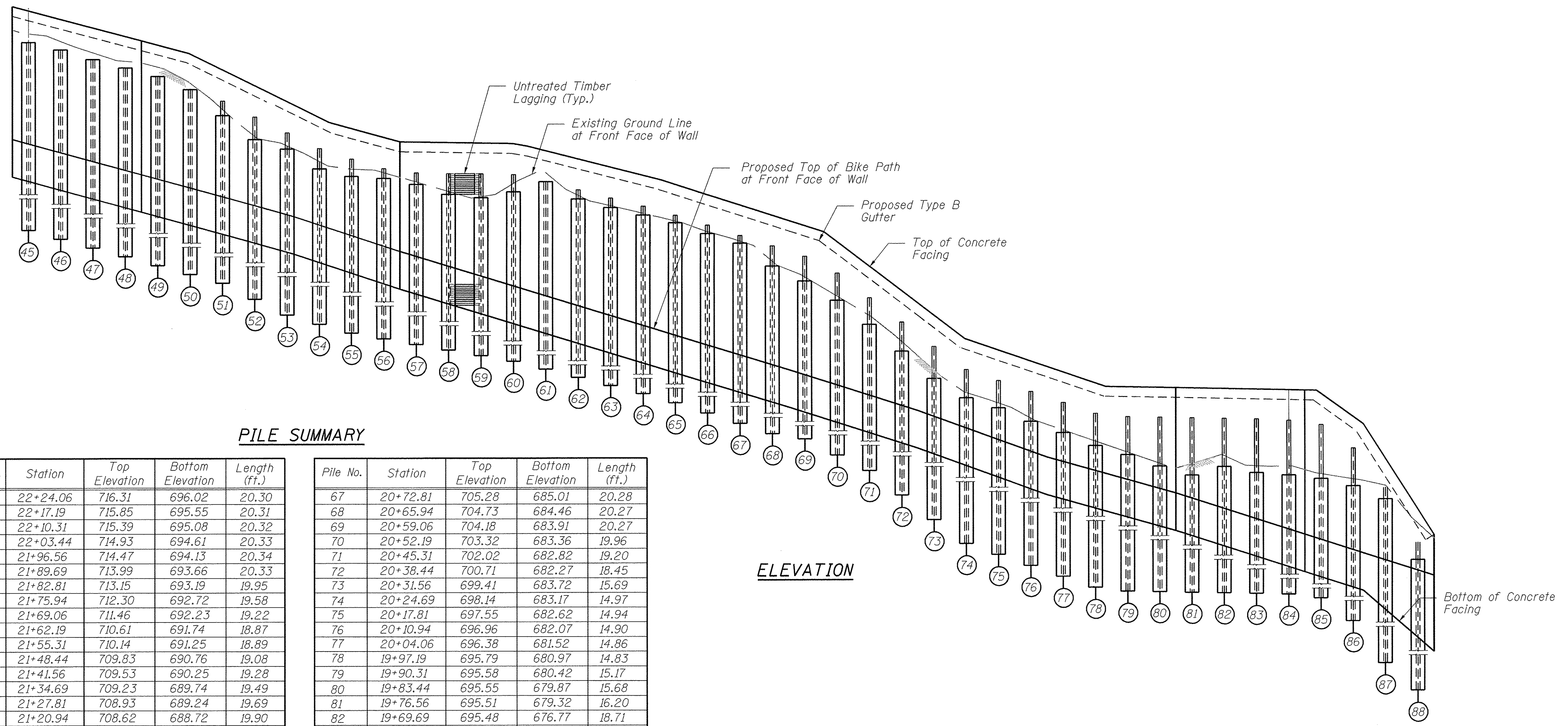
SHEET NO. SB-5 OF SB-17 SHEETS

F.A.J. RTE.	SECTION	COUNTY	TOTAL SHEETS	SHEET NO.
6647	05-00302-00-PV	PEORIA	385	229
CONTRACT NO. 89386				
ILLINOIS FED. AID PROJECT M-5093 (136)				



PLAN

Note: All offsets are to the right of centerline Northmoor.



ELEVATION

PILE SUMMARY

Pile No.	Station	Top Elevation	Bottom Elevation	Length (ft.)
45	22+24.06	716.31	696.02	20.30
46	22+17.19	715.85	695.55	20.31
47	22+10.31	715.39	695.08	20.32
48	22+03.44	714.93	694.61	20.33
49	21+96.56	714.47	694.13	20.34
50	21+89.69	713.99	693.66	20.33
51	21+82.81	713.15	693.19	19.95
52	21+75.94	712.30	692.72	19.58
53	21+69.06	711.46	692.23	19.22
54	21+62.19	710.61	691.74	18.87
55	21+55.31	710.14	691.25	18.89
56	21+48.44	709.83	690.76	19.08
57	21+41.56	709.53	690.25	19.28
58	21+34.69	709.23	689.74	19.49
59	21+27.81	708.93	689.24	19.69
60	21+20.94	708.62	688.72	19.90
61	21+14.06	708.20	688.20	20.00
62	21+07.19	707.76	687.68	20.09
63	21+00.31	707.32	687.15	20.17
64	20+93.44	706.88	686.62	20.27
65	20+86.56	706.39	686.08	20.31
66	20+79.69	705.84	685.55	20.29

Pile No.	Station	Top Elevation	Bottom Elevation	Length (ft.)
67	20+72.81	705.28	685.01	20.28
68	20+65.94	704.73	684.46	20.27
69	20+59.06	704.18	683.91	20.27
70	20+52.19	703.32	683.36	19.96
71	20+45.31	702.02	682.82	19.20
72	20+38.44	700.71	682.27	18.45
73	20+31.56	699.41	683.72	15.69
74	20+24.69	698.14	683.17	14.97
75	20+17.81	697.55	682.62	14.94
76	20+10.94	696.96	682.07	14.90
77	20+04.06	696.38	681.52	14.86
78	19+97.19	695.79	680.97	14.83
79	19+90.31	695.58	680.42	15.17
80	19+83.44	695.55	679.87	15.68
81	19+76.56	695.51	679.32	16.20
82	19+69.69	695.48	676.77	18.71
83	19+62.81	695.45	676.22	19.23
84	19+55.94	695.41	675.67	19.75
85	19+49.06	695.21	675.12	20.10
86	19+42.19	693.98	674.57	19.41
87	19+35.31	691.74	676.02	15.73
88	19+28.44	689.04	675.47	13.58

FILE NAME = P:\2015\0595 Peoria Northmoor Road Retaining Wall Project - Hanson\Project Files\Milhouse Dwg\A.Dgn Wall Right SB-6.dgn



USER NAME = tsledge
 PLOT SCALE = 12.0000' / in.
 PLOT DATE = 3/10/2017

DESIGNED - LAS
 CHECKED - DAZ
 DRAWN - TCS
 CHECKED - LAS

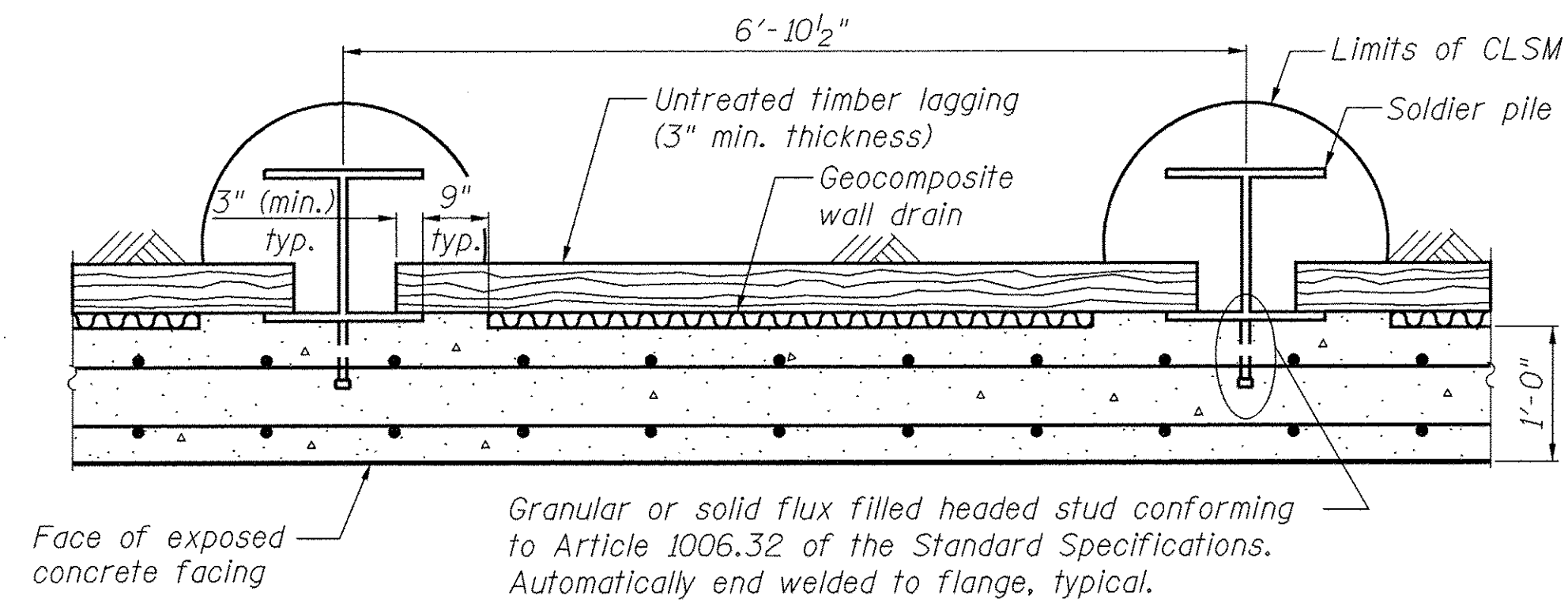
REVISED -
 REVISED -
 REVISED -
 REVISED -

STATE OF ILLINOIS
 DEPARTMENT OF TRANSPORTATION

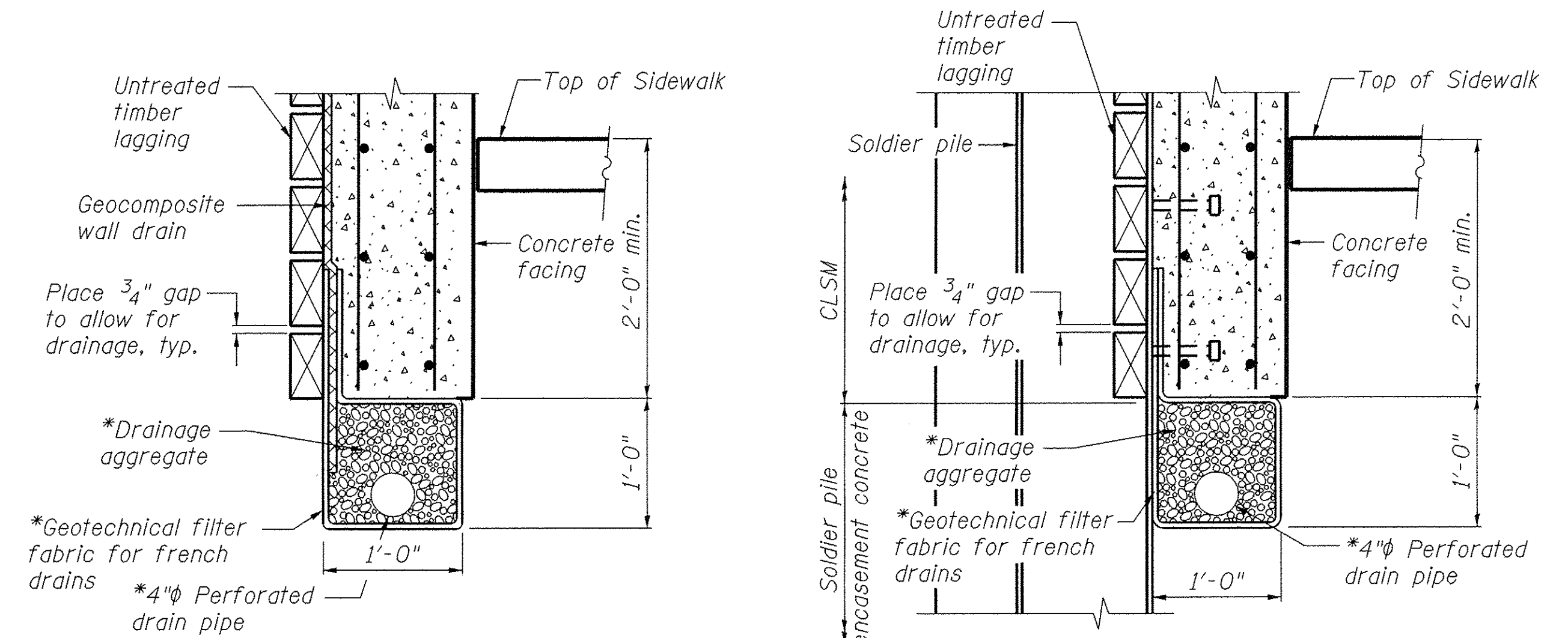
SOLDIER PILE LAYOUT 2
 WALL B STA 19+25.00 to STA. 25+30.15

SHEET NO. SB-6 OF SB-17 SHEETS

F.A.U. RTE. 6647	SECTION 05-00302-00-PV	COUNTY PEORIA	TOTAL SHEETS 385	SHEET NO. 230
CONTRACT NO. 89386				
ILLINOIS FED. AID PROJECT M-5093 (136)				



SECTION THRU DRILLED SOLDIER PILE WALL

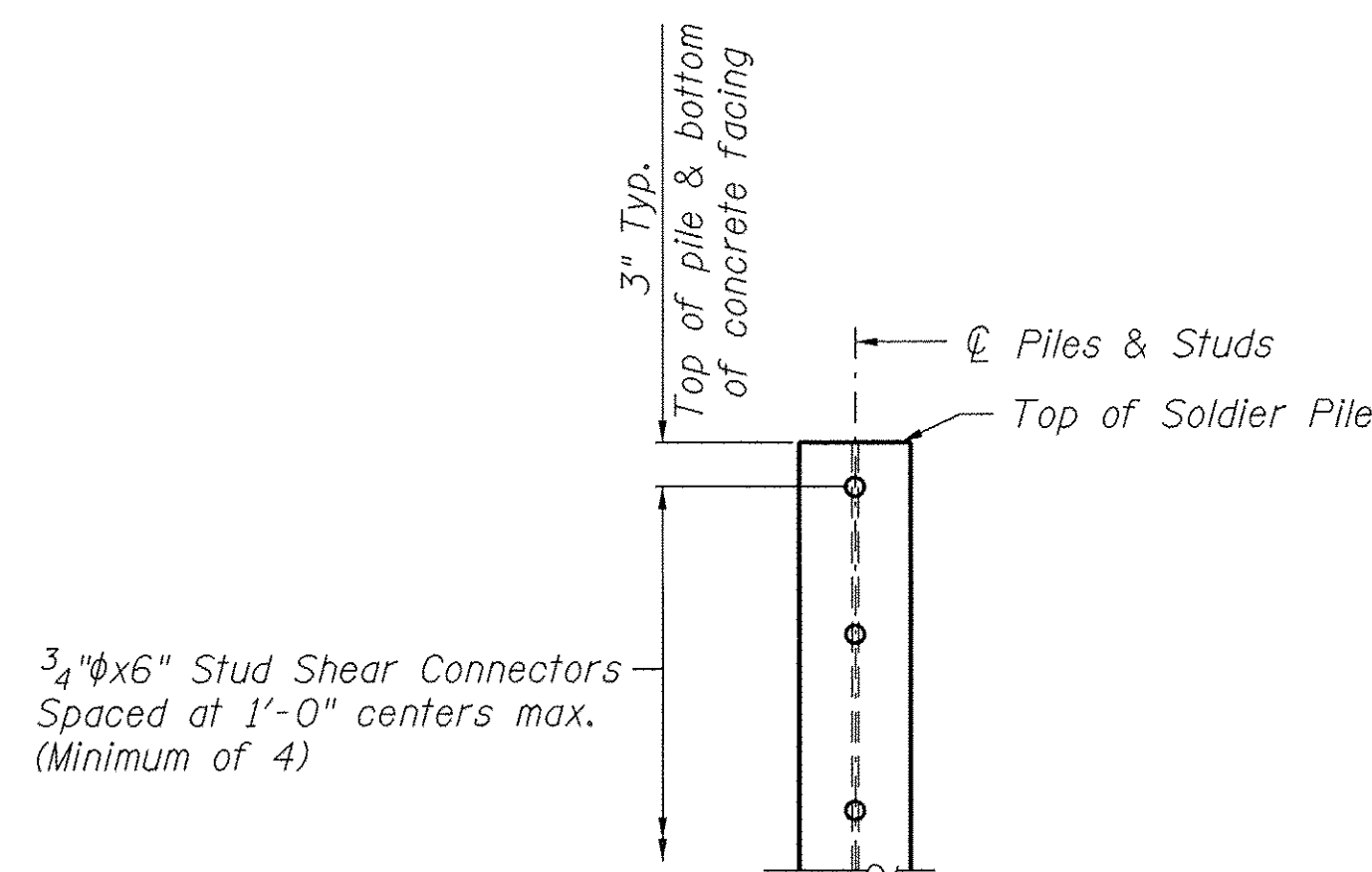


BETWEEN SOLDIER PILES

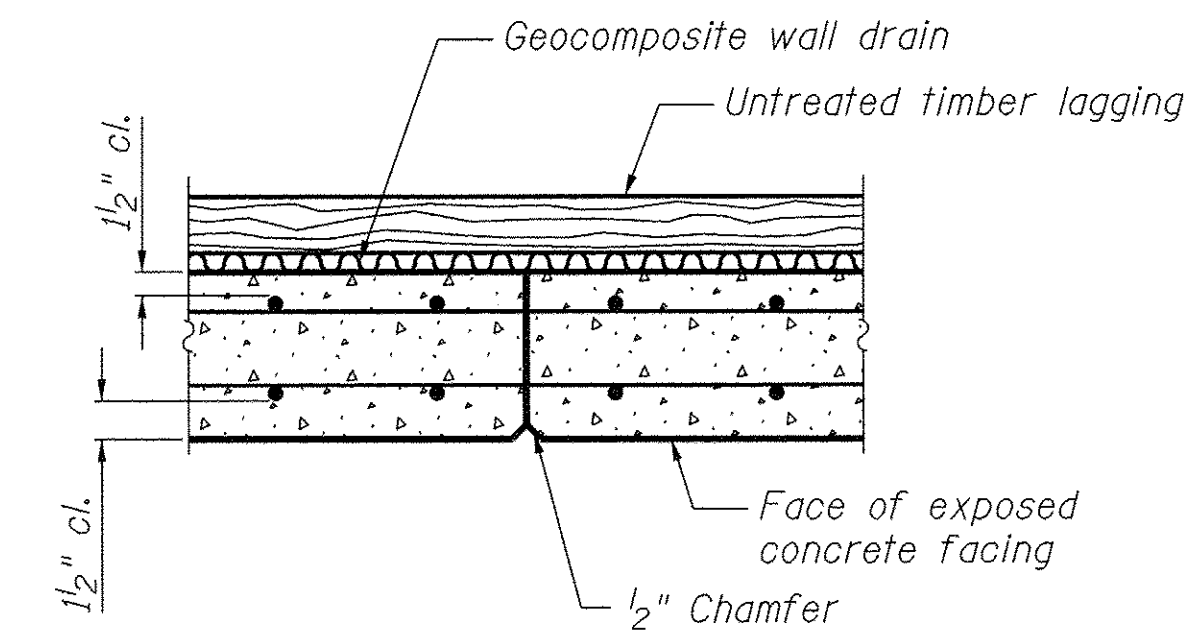
AT SOLDIER PILES

PIPE UNDERDRAIN DETAIL

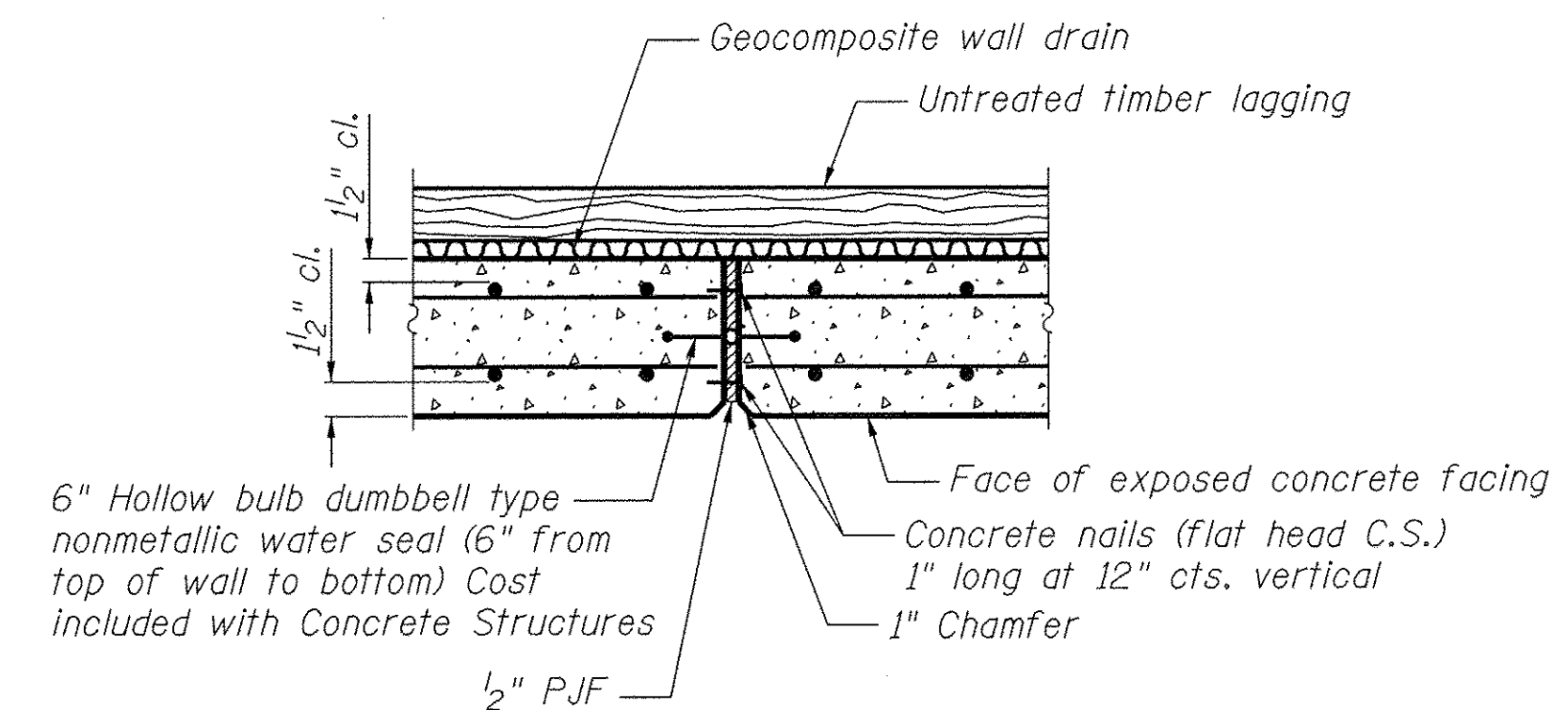
*Included in the cost of Pipe Underdrains for Structures 4"



DETAIL OF SHEAR STUD PLACEMENT



CONSTRUCTION JOINT DETAIL



EXPANSION JOINT DETAIL

FILE NAME = F:\2015\0505 Peoria Northmoor Road Retaining Wall Project w Hanson\Project Files\Milhouse Dwg\0505 Retaining Wall Right\SB-7.dgn



USER NAME = tsledge
 PLOT SCALE = 0.0834 1/16" = 1"
 PLOT DATE = 3/9/2017

DESIGNED - LAS
 CHECKED - DAZ
 DRAWN - TCS
 CHECKED - LAS

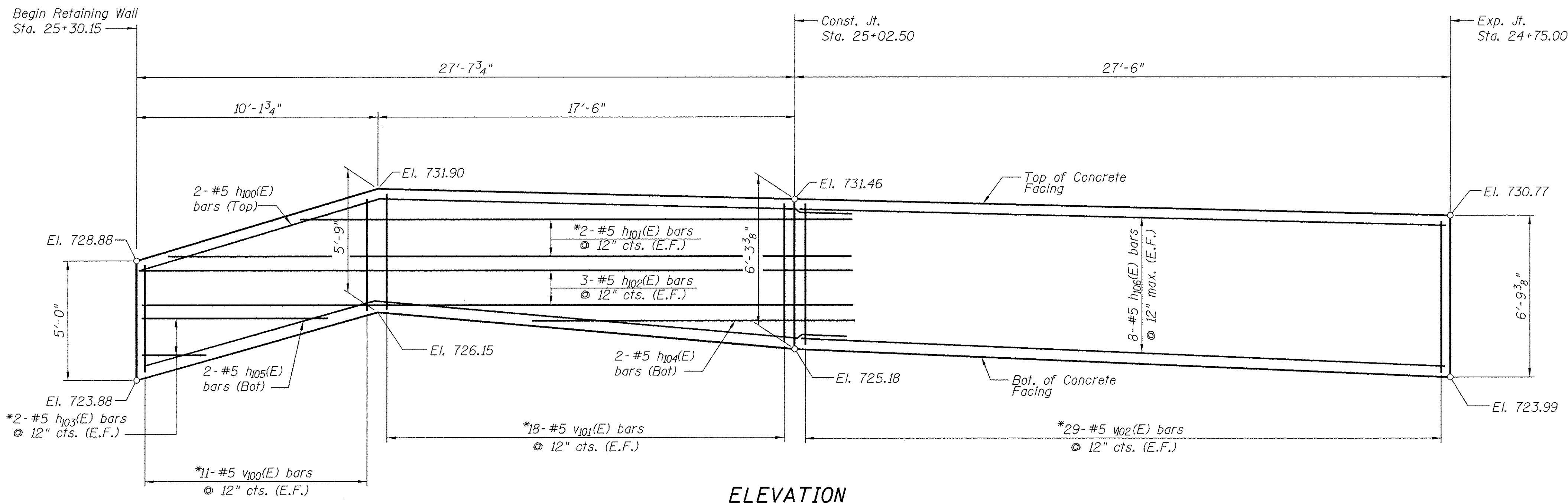
REVISED -
 REVISED -
 REVISED -
 REVISED -

STATE OF ILLINOIS
 DEPARTMENT OF TRANSPORTATION

DETAILS
 WALL B STA 19+25.00 to STA. 25+30.15

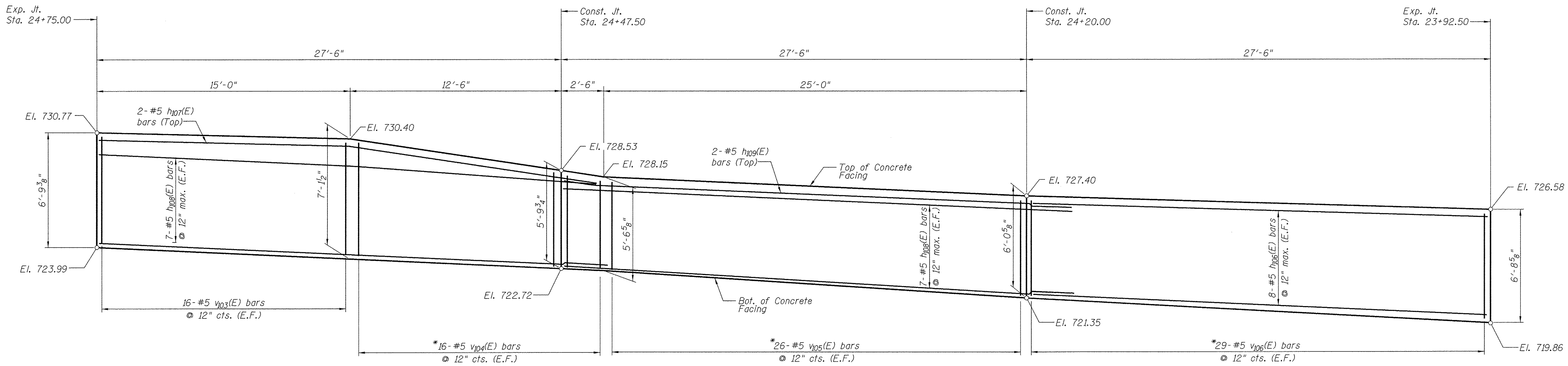
SHEET NO. SB-7 OF SB-17 SHEETS

F.A.U. RTE.	SECTION	COUNTY	TOTAL SHEETS	SHEET NO.
6647	05-00302-00-PV	PEORIA	385	231
CONTRACT NO. 89386				
ILLINOIS FED. AID PROJECT M-5093 (136)				



ELEVATION

Notes:
 Minimum lap for #5 bar is 3'-7\"/>



ELEVATION

FILE NAME = P:\2015\0595 Peoria Northmoor Road Retaining Wall Project - Henson\Project Files\Milhouse Dwg's\Dgn Wall Right\SB-8.dgn



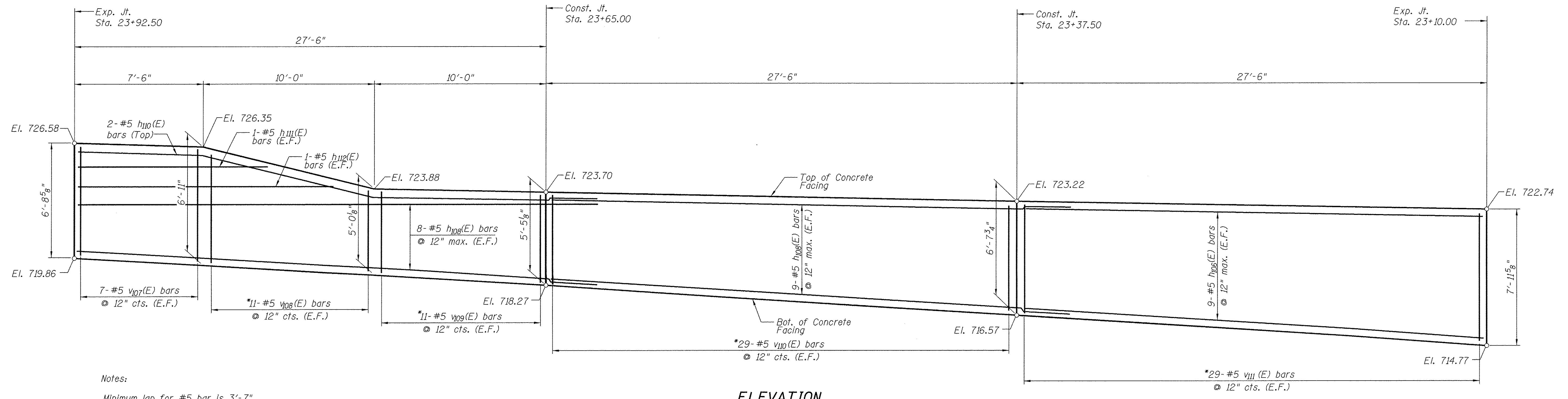
USER NAME = taledge	DESIGNED - LAS	REVISD -
PLOT SCALE = 3.0000' / 1\"/>		

STATE OF ILLINOIS
 DEPARTMENT OF TRANSPORTATION

CONCRETE FACING 1
 WALL B STA 19+25.00 to STA. 25+30.15

F.A.U. RTE.	SECTION	COUNTY	TOTAL SHEETS	SHEET NO.
6647	05-00302-00-PV	PEORIA	385	232
CONTRACT NO. 89386				
ILLINOIS FED. AID PROJECT M-5093 (136)				

SHEET NO. SB-8 OF SB-17 SHEETS



Notes:

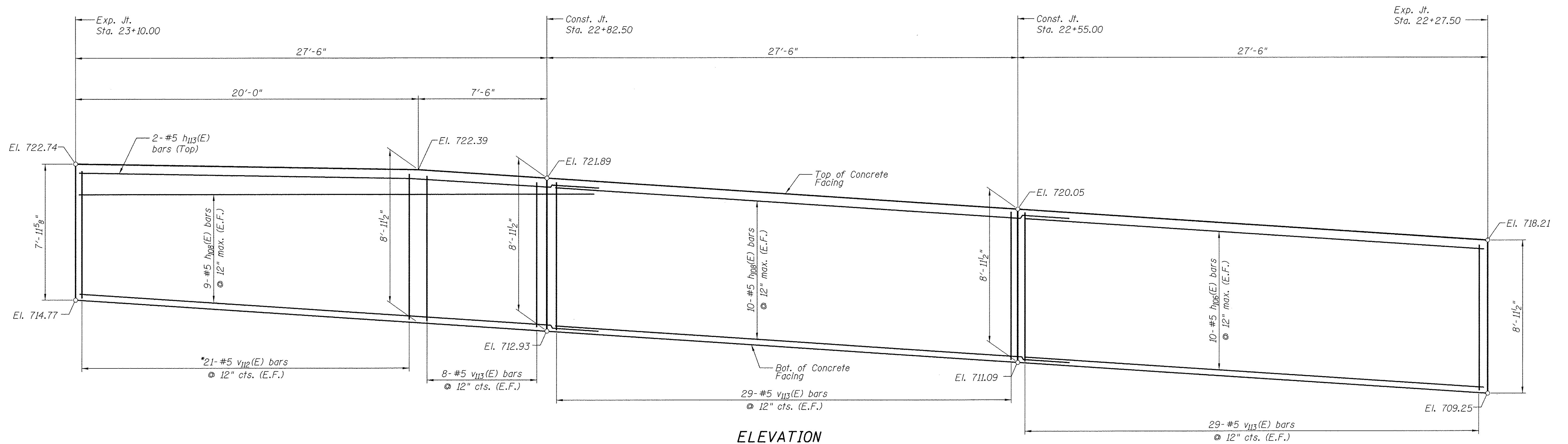
Minimum lap for #5 bar is 3'-7".

Space reinforcement in wall to miss shear studs.

* signifies cut bar. Order per length on Bill of Material. Cut as shown in Cutting Diagram and use half of bars in each face.

See Sheet SB-12 for Concrete Facing Details and Bill of Material.

ELEVATION



ELEVATION

FILE NAME = P:\2015\0515 Peoria Northmor Road Retaining Wall Project - Hanson\Project Files\Milhouse Dwg\SB-9.dgn



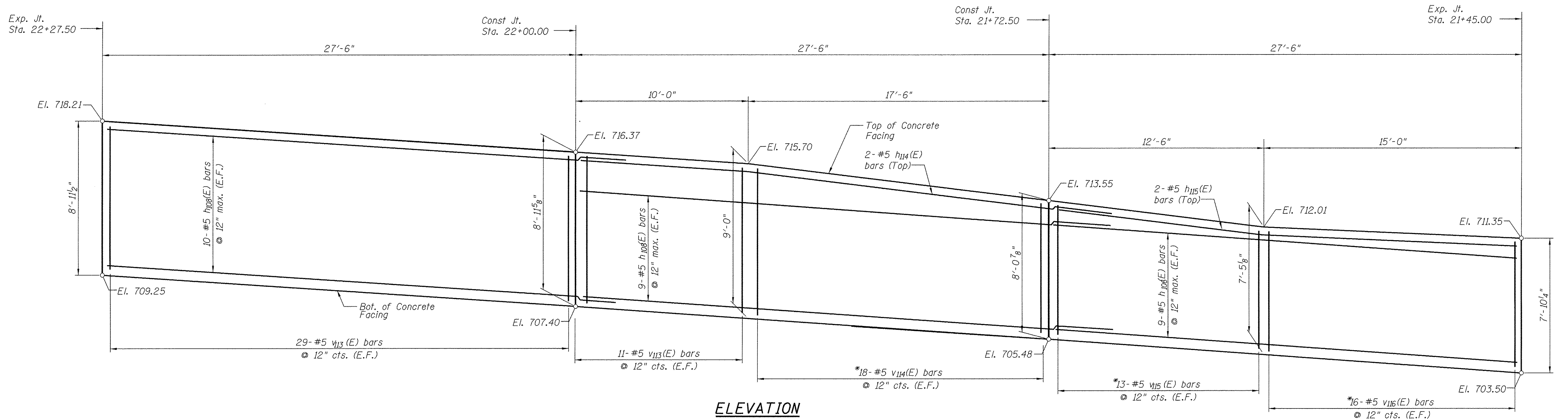
USER NAME = tsledge	DESIGNED - LAS	REVISED -
PLOT SCALE = 3/0000' / 1"	CHECKED - DAZ	REVISED -
PLOT DATE = 3/9/2017	DRAWN - TCS	REVISED -
	CHECKED - LAS	REVISED -

**STATE OF ILLINOIS
DEPARTMENT OF TRANSPORTATION**

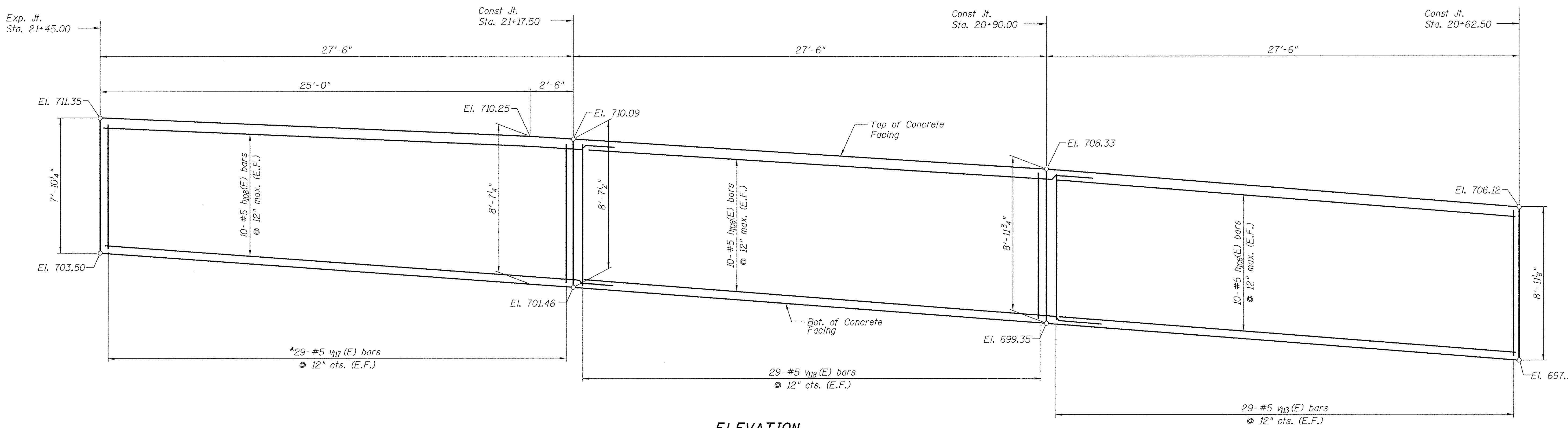
**CONCRETE FACING 2
WALL B STA 19+25.00 to STA. 25+30.15**

SHEET NO. SB-9 OF SB-17 SHEETS

F.A.U. RTE. 6647	SECTION 05-00302-00-PV	COUNTY PEORIA	TOTAL SHEETS 385	SHEET NO. 233
CONTRACT NO. 89386				
ILLINOIS FED. AID PROJECT M-5093 (136)				



ELEVATION

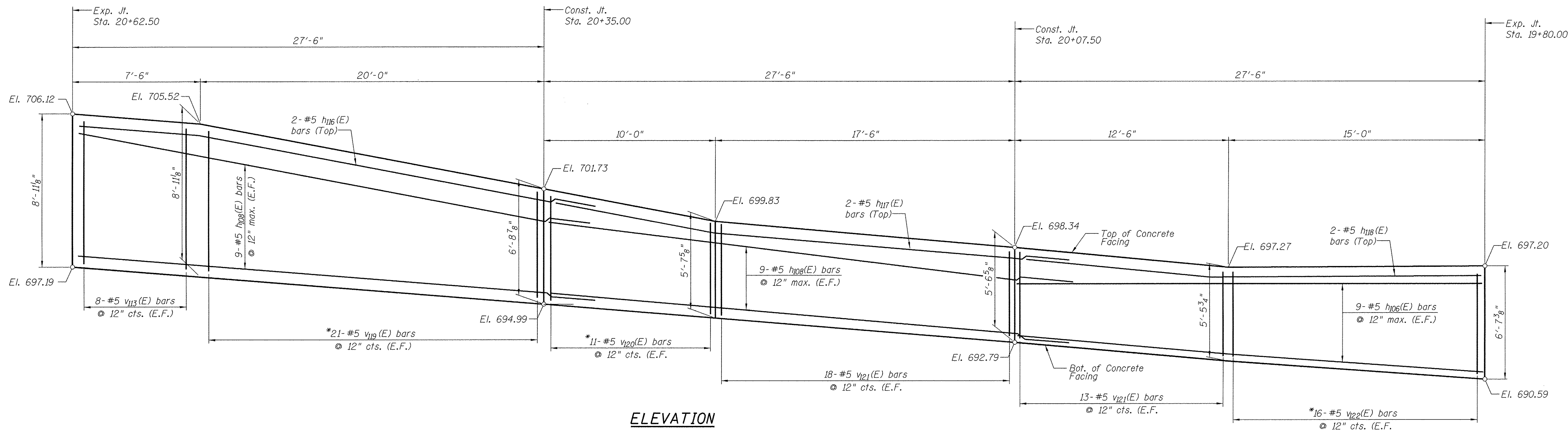


ELEVATION

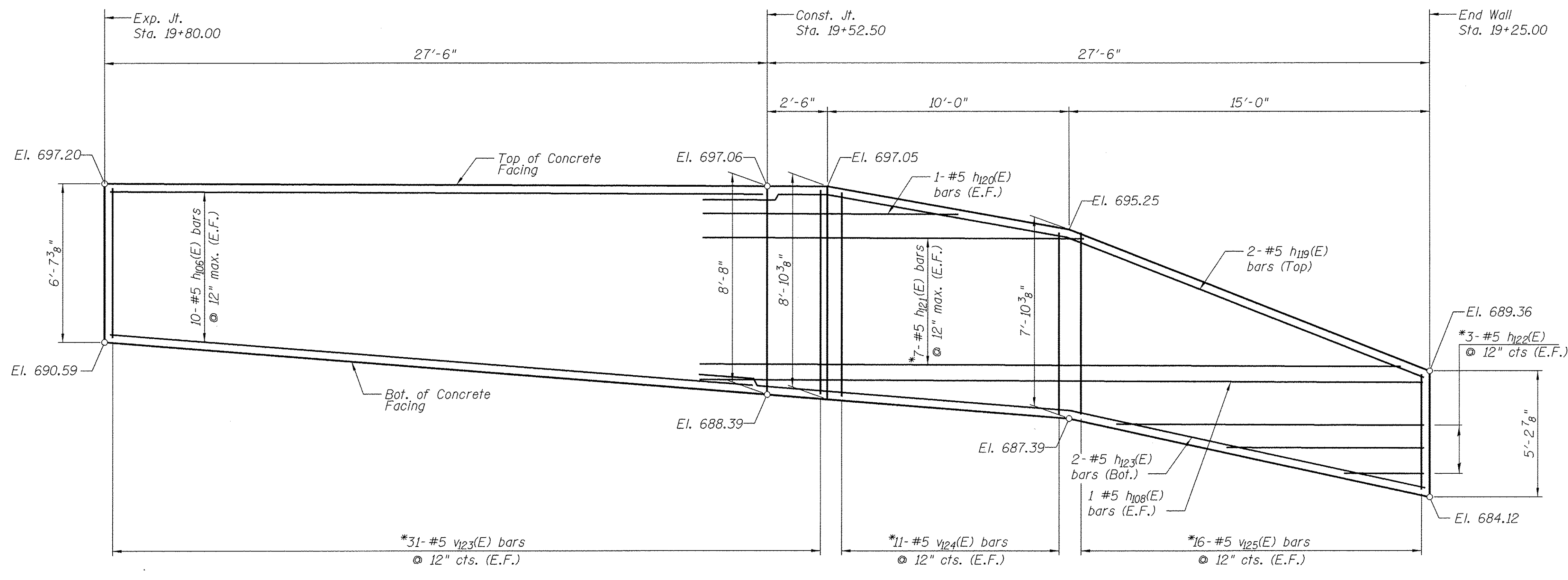
Notes:
 Minimum lap for #5 bar is 3'-7".
 Space reinforcement in wall to miss shear studs.
 * signifies cut bar. Order per length on Bill of Material.
 Cut as shown in Cutting Diagram and use half of bars in each face.
 See Sheet SB-12 for Concrete Facing Details and Bill of Material.

FILE NAME = P:\2015\0595 Peoria Northmeor Road Restoring Wall Project v Hanson\Project Files\Milhouse Dwg\Dgn Wall Right\SB-10.dgn

	USER NAME = tsledge	DESIGNED - LAS	REVISED -	STATE OF ILLINOIS DEPARTMENT OF TRANSPORTATION	CONCRETE FACING 3 WALL B STA 19+25.00 to STA. 25+30.15	F.A.U. RTE. 6647	SECTION 05-00302-00-PV	COUNTY PEORIA	TOTAL SHEETS 385	SHEET NO. 234
	PLOT SCALE = 3/0000' / 1" =	DRAWN - TCS	REVISED -			CONTRACT NO. 89386				
	PLOT DATE = 3/9/2017	CHECKED - LAS	REVISED -			ILLINOIS FED. AID PROJECT M-5093 (136)				



ELEVATION



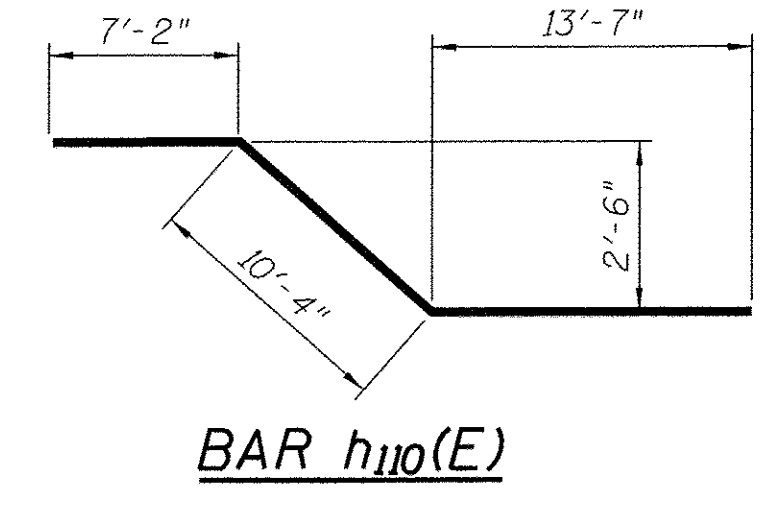
ELEVATION

Notes:
 Minimum lap for #5 bar is 3'-7".
 Space reinforcement in wall to miss shear studs.
 * signifies cut bar. Order per length on Bill of Material. Cut as shown in Cutting Diagram and use half of bars in each face.
 See Sheet SB-12 for Concrete Facing Details and Bill of Material.

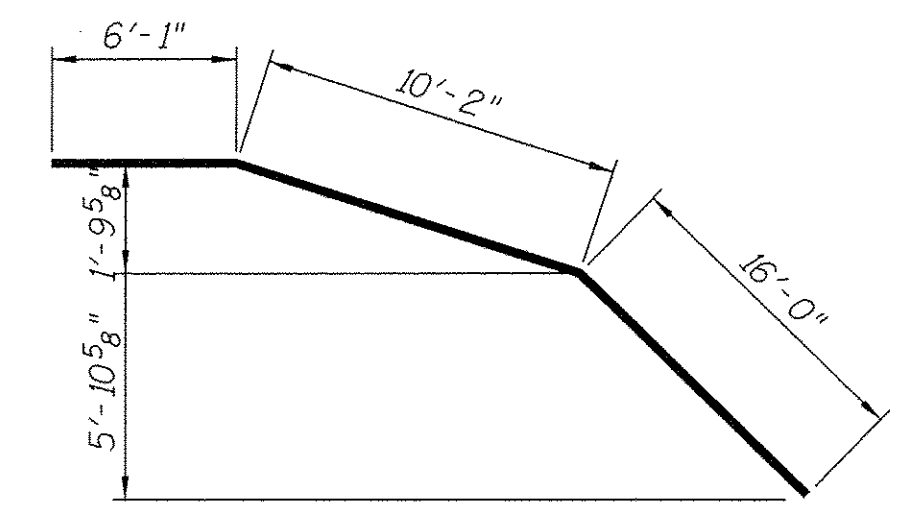
FILE NAME = P:\2015\0595 Peoria Northson Road Retaining Wall Project - Hansen\Project Files\Milhouse Dwg's\Dgn Wall Right\SB-11.dgn

	USER NAME = tsledge	DESIGNED - LAS	REVISED -	STATE OF ILLINOIS DEPARTMENT OF TRANSPORTATION	CONCRETE FACING 4 WALL B STA 19+25.00 to STA. 25+30.15	F.A.J. RTE. 6647	SECTION 05-00302-00-PV	COUNTY PEORIA	TOTAL SHEETS 385	SHEET NO. 235	
	PLOT SCALE = 3.0000' / 1"	DRAWN - TCS	REVISED -			CONTRACT NO. 89386					
	PLOT DATE = 3/9/2017	CHECKED - LAS	REVISED -			ILLINOIS FED. AID PROJECT M-5093 (136)					

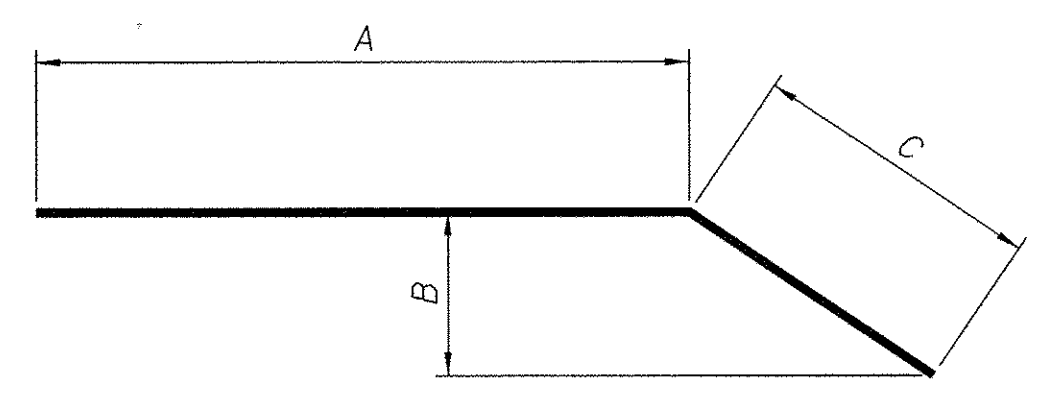
FILE NAME = P:\2015\0595 Prints Northstar Road Retaining Wall Project - Hansen\Project Files\Milhouse Dwg's\Ogr Wall Right\SB-12.dgn



BAR h110(E)

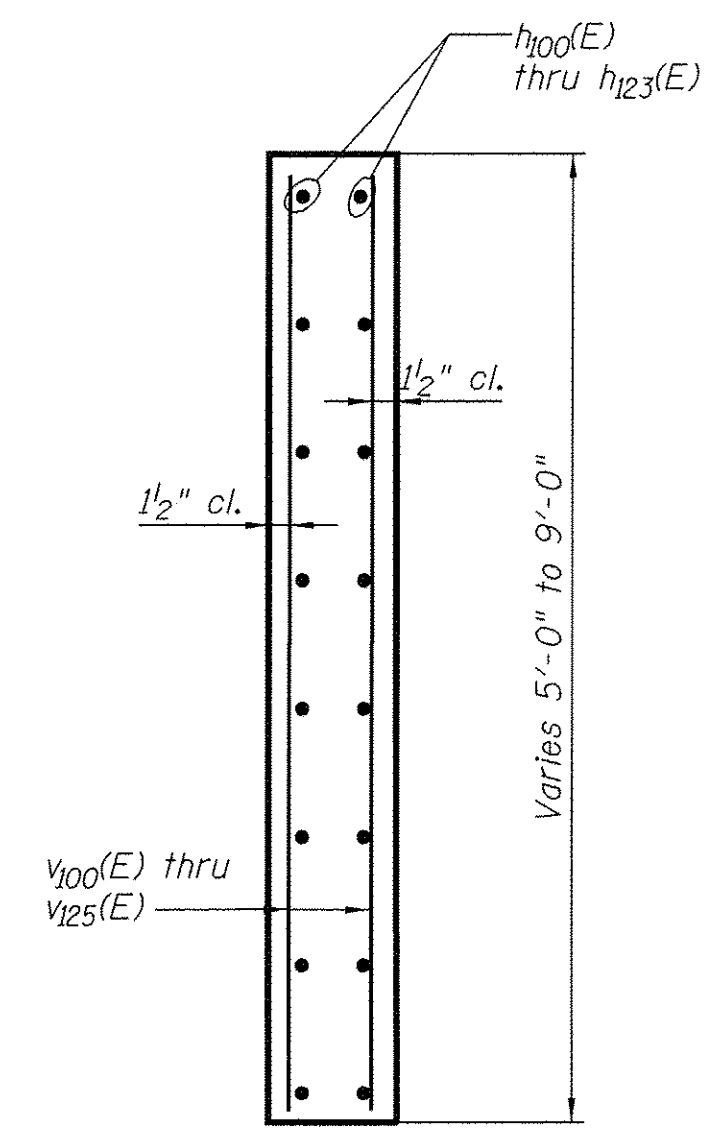


BAR h119(E)

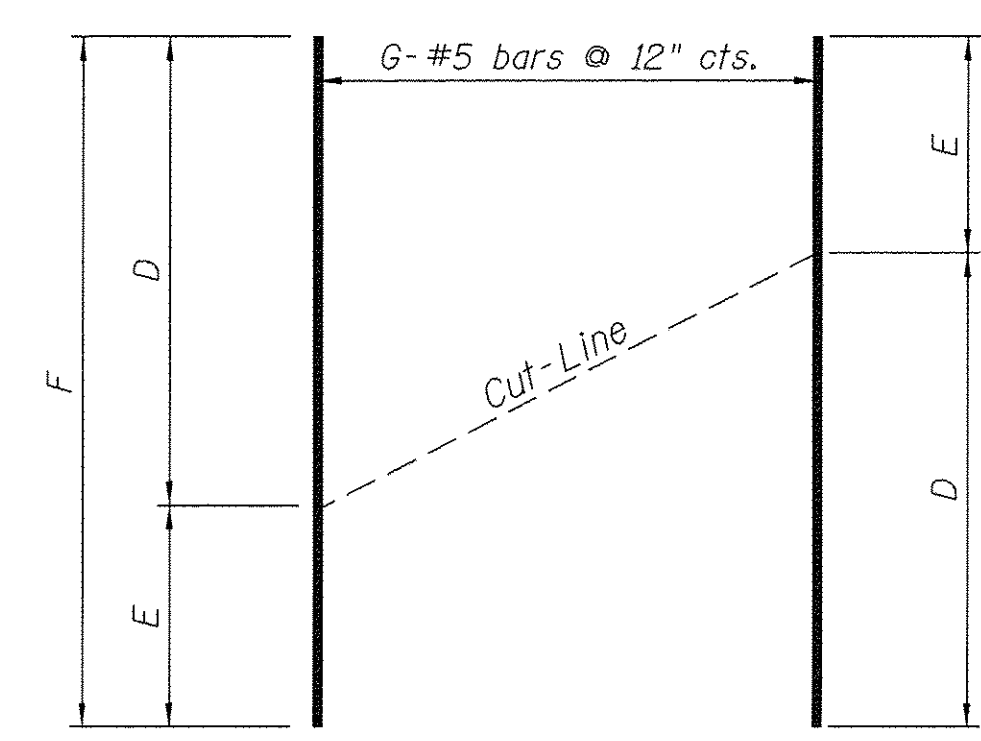


BENT BARS

BAR	A	B	C
h100(E)	10'-5"	6'-6 1/8"	21'-1"
h105(E)	10'-3"	5'-8 3/4"	21'-1"
h107(E)	14'-10"	2'-4 7/8"	16'-3"
h109(E)	2'-6"	3 5/8"	28'-7"
h113(E)	19'-10"	8 7/8"	11'-1"
h114(E)	9'-10"	1'-2 1/8"	21'-3"
h115(E)	12'-5"	1'-2"	14'-10"
h116(E)	7'-4"	2'-7 1/2"	24'-0"
h117(E)	10'-0"	2'-2 5/8"	21'-2"
h118(E)	12'-4"	1'-2 1/2"	14'-10"
h123(E)	16'-2"	2'-1 1/8"	15'-2"



SECTION THRU CONCRETE FACING



CUTTING DIAGRAM

BAR	D	E	F	G
h101(E)	24'-6"	27'-11"	52'-5"	2
h103(E)	3'-0"	6'-5"	9'-5"	2
h121(E)	16'-1"	28'-10"	44'-11"	7
h122(E)	5'-0"	9'-7"	14'-7"	3
v100(E)	4'-8"	5'-5"	10'-1"	11
v101(E)	5'-5"	6'-0"	11'-5"	18
v102(E)	6'-0"	6'-6"	12'-6"	29
v104(E)	6'-10"	5'-3"	12'-1"	16
v105(E)	5'-3"	5'-9"	11'-0"	26
v106(E)	5'-9"	6'-5"	12'-2"	29
v108(E)	6'-7"	4'-8"	11'-3"	11
v109(E)	4'-8"	5'-1"	9'-9"	11
v110(E)	5'-1"	6'-4"	11'-5"	29
v111(E)	6'-4"	7'-8"	14'-0"	29
v112(E)	7'-8"	8'-8"	16'-4"	21
v114(E)	8'-8"	7'-8"	16'-4"	18
v115(E)	7'-8"	7'-1"	14'-9"	13
v116(E)	7'-1"	7'-6"	14'-7"	16
v117(E)	7'-6"	8'-4"	15'-10"	29
v119(E)	8'-8"	6'-5"	15'-1"	21
v120(E)	6'-5"	5'-4"	11'-9"	11
v122(E)	5'-2"	6'-4"	11'-6"	16
v123(E)	6'-4"	8'-7"	14'-11"	31
v124(E)	8'-7"	7'-7"	16'-2"	11
v125(E)	7'-7"	4'-11"	12'-6"	16

BILL OF MATERIAL

Bar	No.	Size	Length	Shape
h100(E)	2	#5	31'-6"	
h101(E)	2	#5	52'-5"	
h102(E)	6	#5	31'-8"	
h103(E)	2	#5	9'-5"	
h104(E)	2	#5	16'-9"	
h105(E)	2	#5	31'-4"	
h106(E)	146	#5	27'-2"	
h107(E)	2	#5	31'-1"	
h108(E)	216	#5	31'-1"	
h109(E)	2	#5	31'-1"	
h110(E)	2	#5	31'-1"	
h111(E)	2	#5	10'-6"	
h112(E)	2	#5	13'-10"	
h113(E)	2	#5	30'-11"	
h114(E)	2	#5	31'-1"	
h115(E)	2	#5	27'-3"	
h116(E)	2	#5	31'-4"	
h117(E)	2	#5	31'-2"	
h118(E)	2	#5	27'-2"	
h119(E)	2	#5	32'-3"	
h120(E)	2	#5	10'-1"	
h121(E)	7	#5	44'-11"	
h122(E)	3	#5	14'-7"	
h123(E)	2	#5	31'-4"	
v100(E)	11	#5	10'-1"	
v101(E)	18	#5	11'-5"	
v102(E)	29	#5	12'-6"	
v103(E)	32	#5	6'-6"	
v104(E)	16	#5	12'-1"	
v105(E)	26	#5	11'-0"	
v106(E)	29	#5	12'-2"	
v107(E)	14	#5	6'-5"	
v108(E)	11	#5	11'-3"	
v109(E)	11	#5	9'-9"	
v110(E)	29	#5	11'-5"	
v111(E)	29	#5	14'-0"	
v112(E)	21	#5	16'-4"	
v113(E)	286	#5	8'-8"	
v114(E)	18	#5	16'-4"	
v115(E)	13	#5	14'-9"	
v116(E)	16	#5	14'-7"	
v117(E)	29	#5	15'-10"	
v118(E)	58	#5	8'-4"	
v119(E)	21	#5	15'-1"	
v120(E)	11	#5	11'-9"	
v121(E)	62	#5	5'-2"	
v122(E)	16	#5	11'-6"	
v123(E)	31	#5	14'-11"	
v124(E)	11	#5	16'-2"	
v125(E)	16	#5	12'-6"	

Item	Cu. Yd.	Quantity
Reinforcement Bars, Epoxy Coated	Pound	14,800
Concrete Structures	Cu. Yds.	166.2
Pipe Underdrains for Structures 4"	Foot	661
Geocomposite Wall Drain	Sq. Yd.	376



USER NAME = tsledge	DESIGNED - LAS	REVISED -
PLOT SCALE = 3.0000' / 1"	CHECKED - DAZ	REVISED -
PLOT DATE = 3/9/2017	DRAWN - TCS	REVISED -
	CHECKED - LAS	REVISED -

STATE OF ILLINOIS
DEPARTMENT OF TRANSPORTATION

CONCRETE FACING DETAILS
WALL B STA 19+25.00 to STA. 25+30.15
SHEET NO. SB-12 OF SB-17 SHEETS

F.A.U. RTE. 6647	SECTION 05-00302-00-PV	COUNTY PEORIA	TOTAL SHEETS 385	SHEET NO. 236
CONTRACT NO. 89386				ILLINOIS FED. AID PROJECT M-5093 (136)

BORING LOG B-101

ILLINOIS DEPARTMENT OF TRANSPORTATION
 Ramsey Geotechnical Engineering
 STRUCTURE BORING LOG

Page 1 of 1
 Date 6/27/16

ROUTE Northmoor Road DESCRIPTION Northmoor Road Retaining Wall
 SECT. 05-00302-00-PV STRUCT. NO. _____ DRILLED BY B. Williamson
 COUNTY Peoria LOCATION Peoria S. 18 TWP. 09N , RNG. 08E

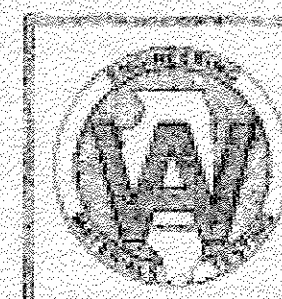
Boring No.	Station	Offset	Surface Elev.	DEPTH	BL	OS	Qu	W
B-101	25+30	50.00ft RT	731.40 ft	H	L	S	tsf	%
Dark brown SILTY LOAM TOPSOIL				731.40				
Hard brown SILTY LOAM					6	P	11	
					7		4.5	
					9			
					3	B	12	
					6		4.99	
					8			
					4	B	13	
					8		5.74	
					10			
					5	B	13	
					8		4.10	
					9			
					4	B	14	
					6		4.47	
					10			
Very stiff gray SILTY LOAM				717.90				
					3	B	13	
					5		2.50	
					6			
					3	B	11	
					6		2.46	
					9			
					2	B	14	
					5		2.62	
					5			
End of Boring at 20.0'				711.40				

Surface Water Elev. _____
 Groundwater Elev. _____
 when drilling _____
 at Completion _____
 after _____ Hrs. _____

SPT. (N) = Sum of last two blow values in sample. (Qu) B=Bulge S=Shear P=Penetration Test
 Stations, Depths, Offset, and Elevations are in Feet

BORING LOG B-01

BORING NO. B-01
 DATE 08-21-08
 W. & A. FILE NO. 4711
 SHEET 1 OF 39



WHITNEY & ASSOCIATES
 INCORPORATED
 2406 West Nebraska Avenue
 PEORIA, ILLINOIS 61604

BORING LOG

PROJECT NORTHMOOR ROAD IMPROVEMENT LOCATION Peoria, Illinois
 BORING LOCATION Station 19+34, 17' Right of Centerline DRILLED BY Fehl
 BORING TYPE Hollow Stem Auger WEATHER CONDITIONS Partly Cloudy & Mild
 SOIL CLASSIFICATION SYSTEM USBSC SEEPAGE WATER ENCOUNTERED AT ELEVATION None
 GROUND SURFACE ELEVATION 689.3 GROUND WATER ELEVATION AT _____ HRS. None
 BORING DISCONTINUED AT ELEVATION 668.3 GROUND WATER ELEVATION AT COMPLETION _____

DESCRIPTION	DEPTH IN FEET	SAMPLE TYPE	N	Qp	Qu	Ds	Mc
Brown And Dark Brown SILTY CLAY Organic Topsoil	8"						
Very Stiff, Brown, Weathered GLACIAL SILTY CLAY TILL							
		SS	13	3.0	2.8	122	13
	4						
		SS	12	2.6	2.5	121	14
Hard, Brown And Gray, Weathered GLACIAL SILTY CLAY TILL	8	SS	16	4.5+	5.2	125	11
Hard, Gray, Unweathered GLACIAL SILTY CLAY TILL							
		SS	17	4.5+	4.4	124	12
	12						
		SS	15	4.5	4.0	123	13
	16	SS	19	4.5+	4.7	124	12
	20	SS	20	4.5+	5.2	126	11
EXPLORATORY BORING DISCONTINUED							
	24						

N - BLOWS DELIVERED PER FOOT BY A 140 LB. HAMMER FALLING 30 INCHES
 SS - SPLIT SPOON SAMPLE
 Qp - CALIBRATED PENETROMETER READING - T.S.F.
 Qu - UNCONFINED COMPRESSIVE STRENGTH - T.S.F.
 Ds - NATURAL DRY DENSITY - P.C.F.
 Mc - NATURAL MOISTURE CONTENT - %

WHITNEY & ASSOCIATES
 PEORIA, ILLINOIS

FILE NAME = P:\2015\0595 Peoria Northmoor Road Retaining Wall Project v Henson\Project Files\Milhouse Dwg's\Ugn Wall Right\SB-13-Borings.dgn



USER NAME = tsledge	DESIGNED - LAS	REVISED -
PLOT SCALE = 50,0000' / 1"	CHECKED - DAZ	REVISED -
PLOT DATE = 3/9/2017	DRAWN - TCS	REVISED -
	CHECKED - LAS	REVISED -

STATE OF ILLINOIS
 DEPARTMENT OF TRANSPORTATION

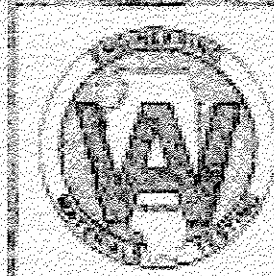
BORING LOGS 1
 WALL B STA 19+25.00 to STA. 25+30.15

SHEET NO. SB-13 OF SB-17 SHEETS

F.A.U. RTE.	SECTION	COUNTY	TOTAL SHEETS	SHEET NO.
6647	05-00302-00-PV	PEORIA	385	237
				CONTRACT NO. 89386
				ILLINOIS FED. AID PROJECT M-5093 (136)

BORING LOG B-02

BORING NO. B-02
DATE 08-21-08
W & A. FILE NO. 4711
SHEET 2 of 39



WHITNEY & ASSOCIATES
INCORPORATED
 2406 West Nebraska Avenue
 PEORIA, ILLINOIS 61604

BORING LOG

PROJECT NORTHMOOR ROAD IMPROVEMENT **LOCATION** Peoria, Illinois
BORING LOCATION Station 20+15, 16' Right of Centerline **DRILLED BY** Fehl
BORING TYPE Hollow Stem Auger **WEATHER CONDITIONS** Partly Cloudy & Mild
SOIL CLASSIFICATION SYSTEM USBSC **SEEPAGE WATER ENCOUNTERED AT ELEVATION** None
GROUND SURFACE ELEVATION 696.8 **GROUND WATER ELEVATION AT** _____ **HRS** _____
BORING DISCONTINUED AT ELEVATION 675.8 **GROUND WATER ELEVATION AT COMPLETION** None

DESCRIPTION	DEPTH IN FEET	SAMPLE TYPE	N	Q _p	Q _u	D _d	M _c
Brown And Dark Brown SILTY CLAY Organic Topsoil Very Stiff, Brown, Weathered GLACIAL SILTY CLAY TILL	8'						
		SS	12	3.3	3.1	118	15
Hard, Brown And Gray, Weathered GLACIAL SILTY CLAY TILL	4						
		SS	12	3.2	2.9	118	15
Very Stiff, Gray, Unweathered GLACIAL SILTY CLAY TILL	8						
		SS	21	4.5+	5.1	124	12
Very Stiff, Gray, Unweathered GLACIAL SILTY CLAY TILL	12						
		SS	24	4.5+	5.9	126	11
EXPLORATORY BORING DISCONTINUED	16						
		SS	13	2.3	2.4	120	14
	20						
		SS	16	3.5	3.2	121	13
	24						

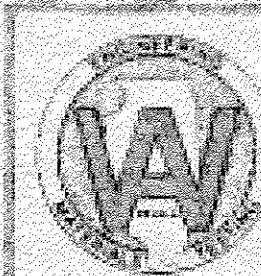
N - BLOWS DELIVERED PER FOOT BY A 140 LB. HAMMER FALLING 30 INCHES
Q_p - CALIBRATED PENETROMETER READING - T.S.F.
Q_u - UNCONFINED COMPRESSIVE STRENGTH - T.S.F.
D_d - NATURAL DRY DENSITY - P.C.F.
M_c - NATURAL MOISTURE CONTENT - %
SS - SPLIT SPOON SAMPLE
ST - SHELBY TUBE SAMPLE

WHITNEY & ASSOCIATES
PEORIA, ILLINOIS

FILE NAME = P:\2015\0595 Peoria Northmoor Road Retaining Wall Project - Hanson\Project Files\Milhouse Dwg\0Dgn Wall Right SB-14 Borrings.dgn

BORING LOG B-03

BORING NO. B-03
DATE 08-21-08
W & A. FILE NO. 4711
SHEET 3 of 39



WHITNEY & ASSOCIATES
INCORPORATED
 2406 West Nebraska Avenue
 PEORIA, ILLINOIS 61604

BORING LOG

PROJECT NORTHMOOR ROAD IMPROVEMENT **LOCATION** Peoria, Illinois
BORING LOCATION Station 20+99, 16' Right of Centerline **DRILLED BY** Fehl
BORING TYPE Hollow Stem Auger **WEATHER CONDITIONS** Partly Cloudy & Mild
SOIL CLASSIFICATION SYSTEM USBSC **SEEPAGE WATER ENCOUNTERED AT ELEVATION** None
GROUND SURFACE ELEVATION 703.5 **GROUND WATER ELEVATION AT** _____ **HRS** _____
BORING DISCONTINUED AT ELEVATION 682.5 **GROUND WATER ELEVATION AT COMPLETION** None

DESCRIPTION	DEPTH IN FEET	SAMPLE TYPE	N	Q _p	Q _u	D _d	M _c
Dark Brown SILTY CLAY Organic Topsoil Very Stiff, Brown, Weathered GLACIAL SILTY CLAY TILL	7'						
		SS	12	4.0	3.8	120	14
Hard, Brown And Gray, Weathered GLACIAL SILTY CLAY TILL	4						
		SS	15	4.5+	4.8	123	12
Hard, Gray, Unweathered GLACIAL SILTY CLAY TILL	8						
		SS	16	4.5+	4.3	122	13
Very Stiff, Gray, Unweathered GLACIAL SILTY CLAY TILL	12						
		SS	15	4.0	3.7	121	13
EXPLORATORY BORING DISCONTINUED	16						
		SS	14	3.5	3.3	120	14
	20						
		SS	15	3.8	3.8	121	13
	24						

N - BLOWS DELIVERED PER FOOT BY A 140 LB. HAMMER FALLING 30 INCHES
Q_p - CALIBRATED PENETROMETER READING - T.S.F.
Q_u - UNCONFINED COMPRESSIVE STRENGTH - T.S.F.
D_d - NATURAL DRY DENSITY - P.C.F.
M_c - NATURAL MOISTURE CONTENT - %
SS - SPLIT SPOON SAMPLE
ST - SHELBY TUBE SAMPLE

WHITNEY & ASSOCIATES
PEORIA, ILLINOIS



USER NAME = tsledge	DESIGNED - LAS	REVISED -
PLOT SCALE = 50,000' / 1in.	CHECKED - DAZ	REVISED -
PLOT DATE = 3/9/2017	DRAWN - TCS	REVISED -
	CHECKED - LAS	REVISED -

**STATE OF ILLINOIS
 DEPARTMENT OF TRANSPORTATION**

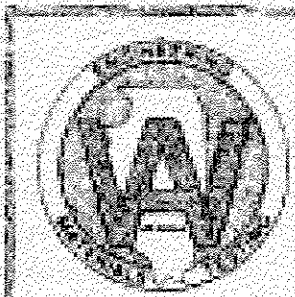
**BORING LOGS 2
 WALL B STA 19+25.00 to STA. 25 + 30.15**

SHEET NO. SB-14 OF SB-17 SHEETS

F.A.U. RTE. 6647	SECTION 05-00302-00-PV	COUNTY PEORIA	TOTAL SHEETS 385	SHEET NO. 238
CONTRACT NO. 89386				
ILLINOIS FED. AID PROJECT M-5093 (136)				

BORING LOG B-04

BORING NO. B-04
DATE 08-21-08
W. & A. FILE NO. 4711
SHEET 4 OF 39



WHITNEY & ASSOCIATES
INCORPORATED
2406 West Nebraska Avenue
PEORIA, ILLINOIS 61604

BORING LOG

PROJECT NORTHMOOR ROAD IMPROVEMENT LOCATION Peoria, Illinois
BORING LOCATION Station 21+62.22' Right of Centerline DRILLED BY Fehl
BORING TYPE Hollow Stem Auger WEATHER CONDITIONS Partly Cloudy & Mild
SOIL CLASSIFICATION SYSTEM U.S.B.S.C. SEEPAGE WATER ENCOUNTERED AT ELEVATION None
GROUND SURFACE ELEVATION 707.2 GROUND WATER ELEVATION AT HRS
BORING DISCONTINUED AT ELEVATION 686.2 GROUND WATER ELEVATION AT COMPLETION None

DESCRIPTION	DEPTH IN FEET	SAMPLE TYPE	N	Qp	Qu	Dd	Mc
Brown, Medium-Grained SAND And GRAVEL Very Stiff, Brown, Weathered GLACIAL SILTY CLAY TILL	14'						
		SS	10	3.5	3.3	119	14
	4'						
		SS	14	4.2	3.8	120	13
Very Stiff, Gray, Unweathered GLACIAL SILTY CLAY TILL	8'						
		SS	12	2.2	2.0	117	15
	12'						
		SS	15	3.2	3.1	118	14
EXPLORATORY BORING DISCONTINUED	16'						
		SS	13	2.1	2.0	117	15
	20'						
		SS	12	3.1	2.8	119	14
EXPLORATORY BORING DISCONTINUED	24'						
		SS	14	3.4	3.2	120	13

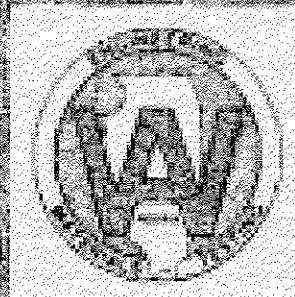
N - BLOWS DELIVERED PER FOOT BY A 140 LB. HAMMER FALLING 30 INCHES
SS - SPLIT SPOON SAMPLE
ST - SHELBY TUBE SAMPLE

Qp - CALIBRATED PENETROMETER READING - T.S.F.
Qu - UNCONFINED COMPRESSIVE STRENGTH - T.S.F.
Dd - NATURAL DRY DENSITY - P.C.F.
Mc - NATURAL MOISTURE CONTENT - %

WHITNEY & ASSOCIATES
PEORIA, ILLINOIS

BORING LOG B-05

BORING NO. B-05
DATE 08-21-08
W. & A. FILE NO. 4711
SHEET 5 OF 39



WHITNEY & ASSOCIATES
INCORPORATED
2406 West Nebraska Avenue
PEORIA, ILLINOIS 61604

BORING LOG

PROJECT NORTHMOOR ROAD IMPROVEMENT LOCATION Peoria, Illinois
BORING LOCATION Station 22+21.17' Right of Centerline DRILLED BY Fehl
BORING TYPE Hollow Stem Auger WEATHER CONDITIONS Partly Cloudy & Mild
SOIL CLASSIFICATION SYSTEM U.S.B.S.C. SEEPAGE WATER ENCOUNTERED AT ELEVATION None
GROUND SURFACE ELEVATION 711.7 GROUND WATER ELEVATION AT HRS
BORING DISCONTINUED AT ELEVATION 690.7 GROUND WATER ELEVATION AT COMPLETION None

DESCRIPTION	DEPTH IN FEET	SAMPLE TYPE	N	Qp	Qu	Dd	Mc
Brown and Dark Brown SILTY CLAY Organic Topsoil Hard, Brown, Weathered GLACIAL SILTY CLAY TILL	8'						
		SS	15	4.5+	4.1	122	14
Very Stiff, Brown And Gray, Weathered GLACIAL SILTY CLAY TILL	4'						
		SS	18	4.0	3.8	120	14
Very Stiff, Gray, Unweathered GLACIAL SILTY CLAY TILL	8'						
		SS	14	3.7	3.6	119	15
	12'						
		SS	12	3.3	3.1	118	15
EXPLORATORY BORING DISCONTINUED	16'						
		SS	17	4.0	3.9	121	12
	20'						
		SS	13	3.3	3.1	119	13
EXPLORATORY BORING DISCONTINUED	24'						
		SS	15	3.5	3.5	120	13

N - BLOWS DELIVERED PER FOOT BY A 140 LB. HAMMER FALLING 30 INCHES
SS - SPLIT SPOON SAMPLE
ST - SHELBY TUBE SAMPLE

Qp - CALIBRATED PENETROMETER READING - T.S.F.
Qu - UNCONFINED COMPRESSIVE STRENGTH - T.S.F.
Dd - NATURAL DRY DENSITY - P.C.F.
Mc - NATURAL MOISTURE CONTENT - %

WHITNEY & ASSOCIATES
PEORIA, ILLINOIS

FILE NAME = P:\2015\0595 Peoria Northmoor Road Retaining Wall Project\Hanson\Project Files\Milhouse Dwg\A\Ugn Wall Right\SB-15 Boring.dgn



USER NAME = tsledge	DESIGNED - LAS	REVISED -
PLOT SCALE = 50,0000' / in.	CHECKED - DAZ	REVISED -
PLOT DATE = 3/9/2017	DRAWN - TCS	REVISED -
	CHECKED - LAS	REVISED -

**STATE OF ILLINOIS
DEPARTMENT OF TRANSPORTATION**

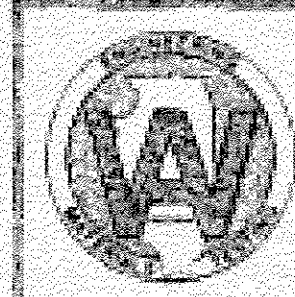
**BORING LOGS 3
WALL B STA 19+25.00 to STA. 25+30.15**

SHEET NO. SB-15 OF SB-17 SHEETS

F.A.U. RTE.	SECTION	COUNTY	TOTAL SHEETS	SHEET NO.
6647	05-00302-00-PV	PEORIA	385	239
CONTRACT NO. 89386				
ILLINOIS FED. AID PROJECT M-5093 (136)				

BORING LOG B-06

BORING NO. B-06
DATE 08-21-08
W. & A. FILE NO. 4711
SHEET 6 OF 39



WHITNEY & ASSOCIATES
INCORPORATED
2406 West Nebraska Avenue
PEORIA, ILLINOIS 61604

BORING LOG

PROJECT NORTHMOOR ROAD IMPROVEMENT LOCATION Peoria, Illinois
BORING LOCATION Station 23+15, 18' Right of Centerline DRILLED BY Fehl
BORING TYPE Hollow Stem Auger WEATHER CONDITIONS Partly Cloudy & Mild
SOIL CLASSIFICATION SYSTEM U.S.B.S.C. SEEPAGE WATER ENCOUNTERED AT ELEVATION None
GROUND SURFACE ELEVATION 716.7 GROUND WATER ELEVATION AT HRS. -
BORING DISCONTINUED AT ELEVATION 695.7 GROUND WATER ELEVATION AT COMPLETION None

DESCRIPTION	DEPTH IN FEET	SAMPLE TYPE	N	Q _p	Q _u	D _d	M _c
Brown and Dark Brown SILTY CLAY Organic Topsoil Hard, Brown, Weathered GLACIAL SANDY CLAY TILL	8						
		SS	17	4.5	4.3	121	13
	4						
		SS	18	4.5+	5.1	123	12
Very Stiff, Brown, Weathered GLACIAL SILTY CLAY TILL	8						
		SS	17	4.5+	4.6	122	13
Hard, Brown, Weathered GLACIAL SILTY CLAY TILL	12						
		SS	15	3.8	3.6	120	14
Hard, Brown And Gray, Weathered GLACIAL SILTY CLAY TILL	12						
		SS	12	3.3	3.2	119	15
EXPLORATORY BORING DISCONTINUED	16						
		SS	18	4.5+	4.7	125	12
EXPLORATORY BORING DISCONTINUED	20						
		SS	20	4.5	4.5	124	12
EXPLORATORY BORING DISCONTINUED	24						

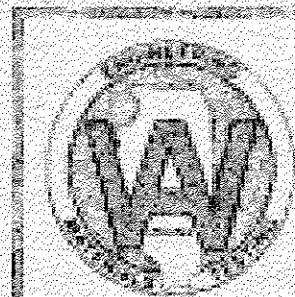
N - BLOWS DELIVERED PER FOOT BY A 140 LB. HAMMER FALLING 30 INCHES
SS - SPLIT SPOON SAMPLE
ST - SHELBY TUBE SAMPLE

Q_p - CALIBRATED PENETROMETER READING - T.S.F.
Q_u - UNCONFINED COMPRESSIVE STRENGTH - T.S.F.
D_d - NATURAL DRY DENSITY - P.C.F.
M_c - NATURAL MOISTURE CONTENT - %

WHITNEY & ASSOCIATES
PEORIA, ILLINOIS

BORING LOG B-07

BORING NO. B-07
DATE 08-21-08
W. & A. FILE NO. 4711
SHEET 7 OF 39



WHITNEY & ASSOCIATES
INCORPORATED
2406 West Nebraska Avenue
PEORIA, ILLINOIS 61604

BORING LOG

PROJECT NORTHMOOR ROAD IMPROVEMENT LOCATION Peoria, Illinois
BORING LOCATION Station 23+81, 18' Right of Centerline DRILLED BY Fehl
BORING TYPE Hollow Stem Auger WEATHER CONDITIONS Partly Cloudy & Mild
SOIL CLASSIFICATION SYSTEM U.S.B.S.C. SEEPAGE WATER ENCOUNTERED AT ELEVATION None
GROUND SURFACE ELEVATION 720.2 GROUND WATER ELEVATION AT HRS. -
BORING DISCONTINUED AT ELEVATION 699.2 GROUND WATER ELEVATION AT COMPLETION None

DESCRIPTION	DEPTH IN FEET	SAMPLE TYPE	N	Q _p	Q _u	D _d	M _c
Brown SANDY LOAM With Crushed Limestone Hard, Brown, Weathered GLACIAL SANDY CLAY TILL	8						
		SS	21	4.5+	4.9	123	12
	4						
		SS	16	4.5+	4.4	121	13
Hard, Brown And Gray, Weathered GLACIAL SANDY CLAY TILL	8						
		SS	20	4.5+	4.6	122	13
EXPLORATORY BORING DISCONTINUED	12						
		SS	21	4.5+	4.9	123	12
EXPLORATORY BORING DISCONTINUED	12						
		SS	22	4.5+	5.2	123	12
EXPLORATORY BORING DISCONTINUED	16						
		SS	24	4.5+	5.3	124	12
EXPLORATORY BORING DISCONTINUED	20						
		SS	25	4.5+	4.3	121	14
EXPLORATORY BORING DISCONTINUED	24						

N - BLOWS DELIVERED PER FOOT BY A 140 LB. HAMMER FALLING 30 INCHES
SS - SPLIT SPOON SAMPLE
ST - SHELBY TUBE SAMPLE

Q_p - CALIBRATED PENETROMETER READING - T.S.F.
Q_u - UNCONFINED COMPRESSIVE STRENGTH - T.S.F.
D_d - NATURAL DRY DENSITY - P.C.F.
M_c - NATURAL MOISTURE CONTENT - %

WHITNEY & ASSOCIATES
PEORIA, ILLINOIS

FILE NAME = P:\2015\0535 Peoria Northmoor Road Restoring Wall Project v Hanson\Project v Hanson\Project v Hanson\Drawings\Drawings\SB-16 Boring.dgn



USER NAME = tsledge	DESIGNED - LAS	REVISED -
PLOT SCALE = 50,0000' / 1" =	CHECKED - DAZ	REVISED -
PLOT DATE = 3/9/2017	DRAWN - TCS	REVISED -
	CHECKED - LAS	REVISED -

**STATE OF ILLINOIS
DEPARTMENT OF TRANSPORTATION**

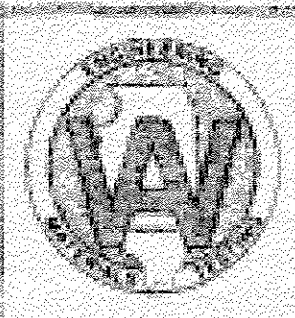
**BORING LOGS 4
WALL B STA 19+25.00 TO STA. 25+30.15**

SHEET NO. SB-16 OF SB-17 SHEETS

F.A.U. RTE.	SECTION	COUNTY	TOTAL SHEETS	SHEET NO.
6647	05-00302-00-PV	PEORIA	385	240
CONTRACT NO. 89386				
ILLINOIS				FED. AID PROJECT M-5093 (136)

BORING LOG B-08

BORING NO. B-08
DATE 08-21-08
W. & A. FILE NO. 4711
SHEET 8 OF 39



WHITNEY & ASSOCIATES
INCORPORATED
2406 West Nebraska Avenue
PEORIA, ILLINOIS 61604

BORING LOG

PROJECT NORTHMOOR ROAD IMPROVEMENT LOCATION Peoria, Illinois
BORING LOCATION Station 24+57.16' Right of Centerline DRILLED BY Fehl
BORING TYPE Hollow Stem Auger WEATHER CONDITIONS Partly Cloudy & Mild
SOIL CLASSIFICATION SYSTEM U.S.B.S.C. SEEPAGE WATER ENCOUNTERED AT ELEVATION None
GROUND SURFACE ELEVATION 724.3 GROUND WATER ELEVATION AT HRS
BORING DISCONTINUED AT ELEVATION 703.3 GROUND WATER ELEVATION AT COMPLETION None

DESCRIPTION	DEPTH IN FEET	SAMPLE TYPE	N	Q _p	Q _u	D _s	M _c
Brown SANDY LOAM With Crushed Limestone Very Stiff, Brown, Weathered GLACIAL SANDY CLAY TILL	8						
		SS	19	3.7	3.4	123	11
Very Stiff, Brown And Gray-Brown, Weathered GLACIAL SILTY CLAY TILL	4						
		SS	15	3.4	3.1	120	14
Very Stiff, Gray, Unweathered GLACIAL SILTY CLAY TILL	8						
		SS	14	4.3	3.9	121	13
		SS	16	3.4	3.2	119	14
	12						
		SS	15	3.8	3.7	120	13
		SS	16	3.8	3.5	120	13
	20						
		SS	12	2.7	2.5	119	14
EXPLORATORY BORING DISCONTINUED							
	24						

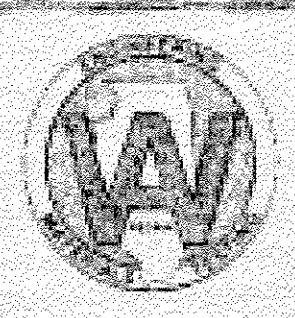
N - BLOWS DELIVERED PER FOOT BY A 140 LB. HAMMER FALLING 30 INCHES
SS - SPLIT SPOON SAMPLE
ST - SHELBY TUBE SAMPLE

Q_p - CALIBRATED PENETROMETER READING - T.S.F.
Q_u - UNCONFINED COMPRESSIVE STRENGTH - T.S.F.
D_s - NATURAL DRY DENSITY - P.C.F.
M_c - NATURAL MOISTURE CONTENT - %

WHITNEY & ASSOCIATES
PEORIA, ILLINOIS

BORING LOG B-09

BORING NO. B-09
DATE 08-21-08
W. & A. FILE NO. 4711
SHEET 9 OF 39



WHITNEY & ASSOCIATES
INCORPORATED
2406 West Nebraska Avenue
PEORIA, ILLINOIS 61604

BORING LOG

PROJECT NORTHMOOR ROAD IMPROVEMENT LOCATION Peoria, Illinois
BORING LOCATION Station 25+22.17' Right of Centerline DRILLED BY Fehl
BORING TYPE Hollow Stem Auger WEATHER CONDITIONS Partly Cloudy & Mild
SOIL CLASSIFICATION SYSTEM U.S.B.S.C. SEEPAGE WATER ENCOUNTERED AT ELEVATION None
GROUND SURFACE ELEVATION 728.6 GROUND WATER ELEVATION AT HRS
BORING DISCONTINUED AT ELEVATION 707.6 GROUND WATER ELEVATION AT COMPLETION None

DESCRIPTION	DEPTH IN FEET	SAMPLE TYPE	N	Q _p	Q _u	D _s	M _c
Dark Brown SILTY CLAY Organic Topsoil Very Stiff, Brown, Weathered GLACIAL SILTY CLAY TILL	8						
		SS	9	3.4	3.2	119	14
	4						
		SS	15	3.2	2.8	119	13
	8						
		SS	12	2.4	2.2	118	14
		SS	17	3.5	3.2	120	13
	12						
		SS	14	2.7	2.4	119	14
Very Stiff, Gray, Unweathered GLACIAL SILTY CLAY TILL	16						
		SS	12	2.3	2.1	118	14
	20						
		SS	16	2.7	2.3	119	14
EXPLORATORY BORING DISCONTINUED							
	24						

N - BLOWS DELIVERED PER FOOT BY A 140 LB. HAMMER FALLING 30 INCHES
SS - SPLIT SPOON SAMPLE
ST - SHELBY TUBE SAMPLE

Q_p - CALIBRATED PENETROMETER READING - T.S.F.
Q_u - UNCONFINED COMPRESSIVE STRENGTH - T.S.F.
D_s - NATURAL DRY DENSITY - P.C.F.
M_c - NATURAL MOISTURE CONTENT - %

WHITNEY & ASSOCIATES
PEORIA, ILLINOIS

FILE NAME = P:\2015\0595 Peoria Northmoor Road Retaining Wall Project - Hansen\Project Files\Milhouse Dwg\Dgn Wall Right\SB-17 Borings.dgn



USER NAME = tsledge	DESIGNED - LAS	REVISED -
PLOT SCALE = 50.0000' / 1" =	CHECKED - DAZ	REVISED -
PLOT DATE = 3/9/2017	DRAWN - TCS	REVISED -
	CHECKED - LAS	REVISED -

**STATE OF ILLINOIS
DEPARTMENT OF TRANSPORTATION**

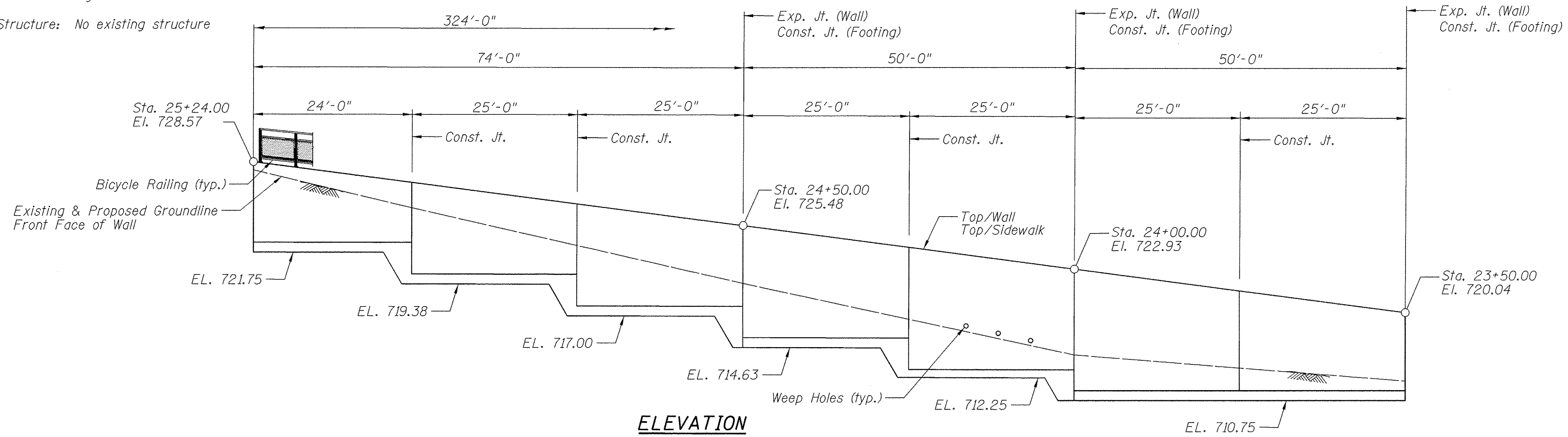
**BORING LOGS 5
WALL B STA 19+25.00 to STA. 25+30.15**

SHEET NO. SB-17 OF SB-17 SHEETS

F.A.U. RTE. 6647	SECTION 05-00302-00-PV	COUNTY PEORIA	TOTAL SHEETS 385	SHEET NO. 241
ILLINOIS			CONTRACT NO. 89386	
FED. AID PROJECT M-5093 (136)				

Benchmark: BM #3- S.W. bolt on the fire hydrant in the S.E. quadrant of the Northmoor Rd. and Kensington Dr. intersection. El.734.55

Existing Structure: No existing structure

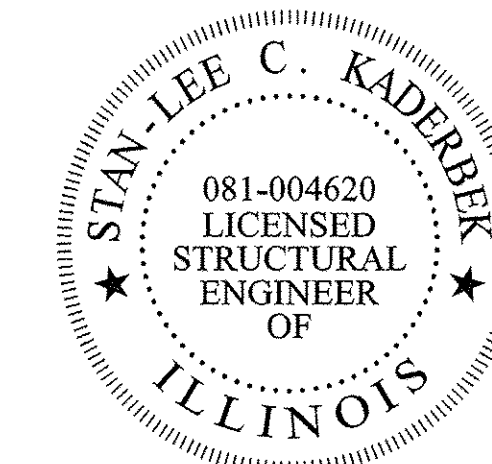


DESIGN STRESSES

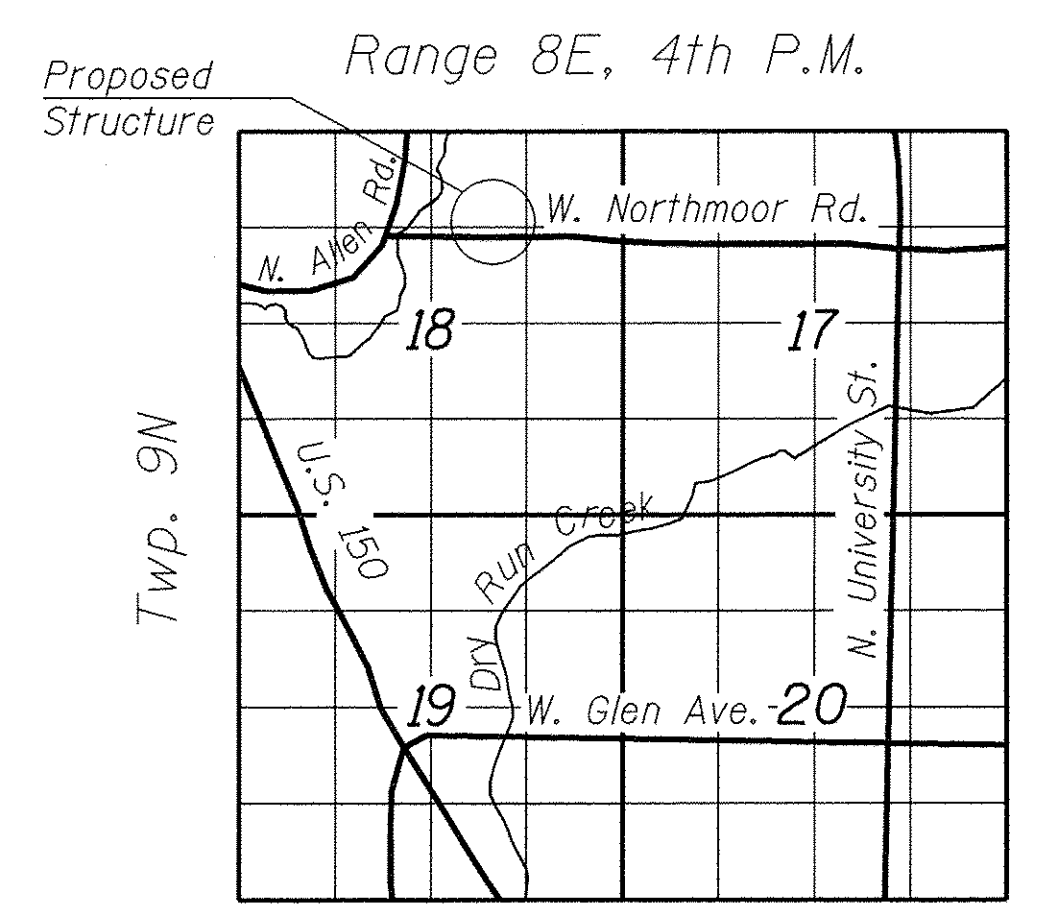
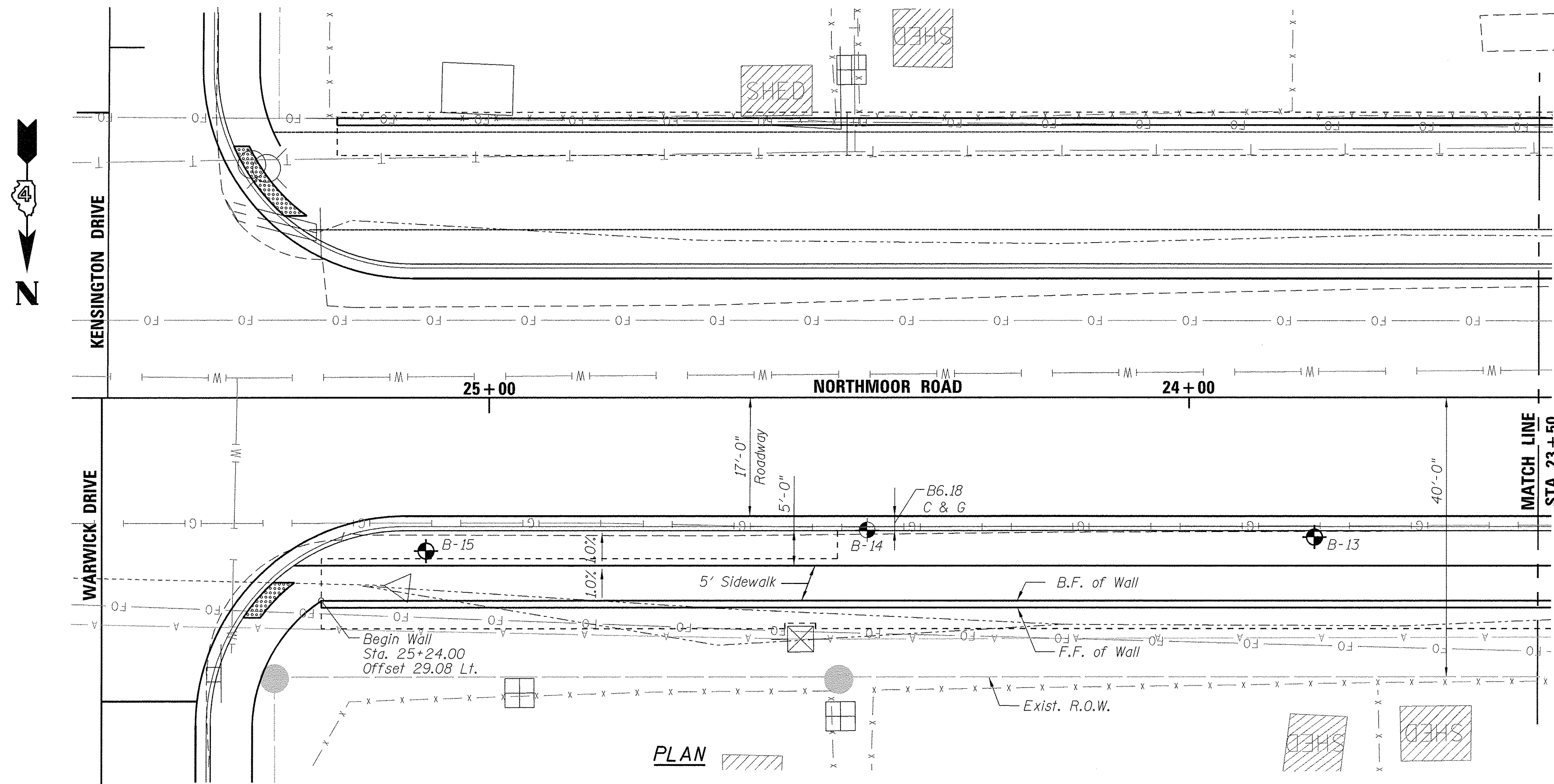
FIELD UNITS
 $f'_c = 3,500 \text{ psi}$
 $f_y = 60,000 \text{ psi (Reinforcement)}$

DESIGN SPECIFICATIONS

2012 AASHTO LRFD Bridge Design Specifications, 6th Edition thru Interims 2016



Signature: *[Signature]* Date: March 10, 2017
 Expires: November 30, 2018



LOCATION SKETCH

GENERAL PLAN & ELEVATION
NORTHMOOR ROAD
F.A.U. RTE 6647
SEC. 05-00302-00-PV
PEORIA COUNTY
STATION 22+00 TO 25+24.00

FILE NAME = P:\2015\050595 Peoria Northmoor Road Retaining Wall Project - Hansen\Project Files\Milhouse Dwg's\Dgn Wall Left\SP-1.GP & E.dgn

Note: Offsets are measured from the centerline of Northmoor Rd. to the back face of the wall.

	USER NAME = tsledge	DESIGNED - LAS	REVISED -	STATE OF ILLINOIS DEPARTMENT OF TRANSPORTATION	GENERAL PLAN & ELEVATION 1 WALL A STA. 22+00 TO STA. 25+24.00	F.A.U. RTE. 6647	SECTION 05-00302-00-PV	COUNTY PEORIA	TOTAL SHEETS 385	SHEET NO. 242	
	PLOT SCALE = 10.0000' / in.	CHECKED - DAZ	REVISED -			CONTRACT NO. 89386					
	PLOT DATE = 3/10/2017	DRAWN - TCS	REVISED -			ILLINOIS FED. AID PROJECT M-5093 (136)					
		CHECKED - LAS	REVISED -								

GENERAL NOTES

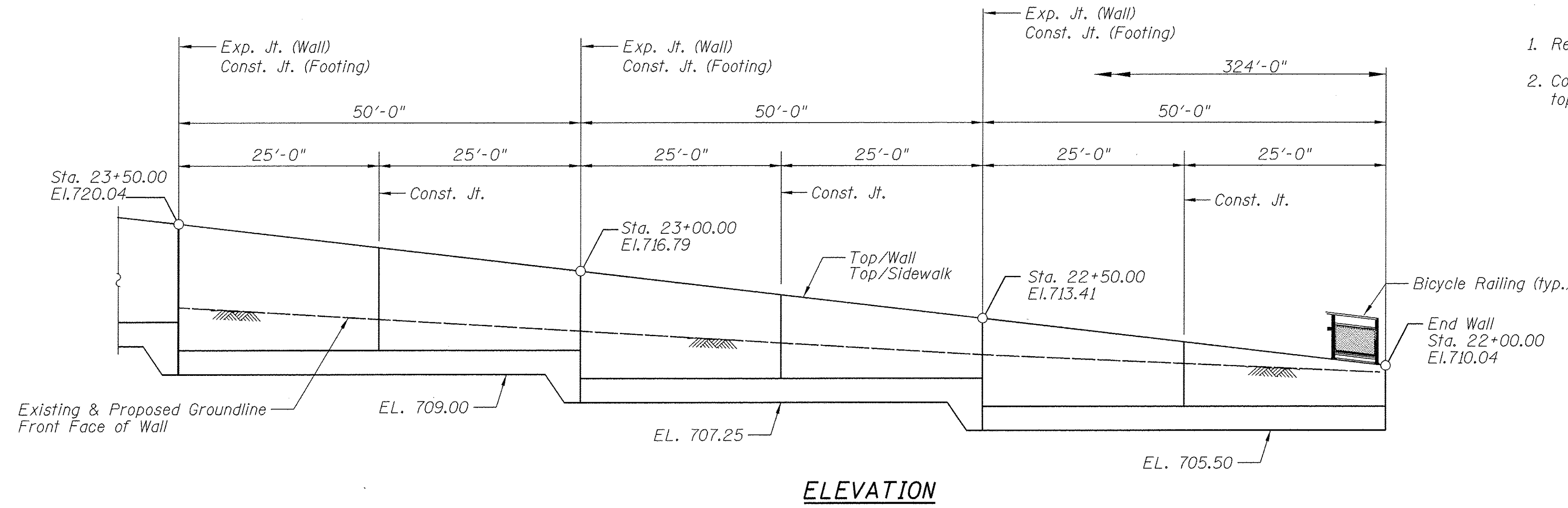
1. Reinforcement bars designated (E) shall be epoxy coated.
2. Concrete sealer shall be applied to exposed surfaces of the top and back faces of wall.

INDEX OF SHEETS

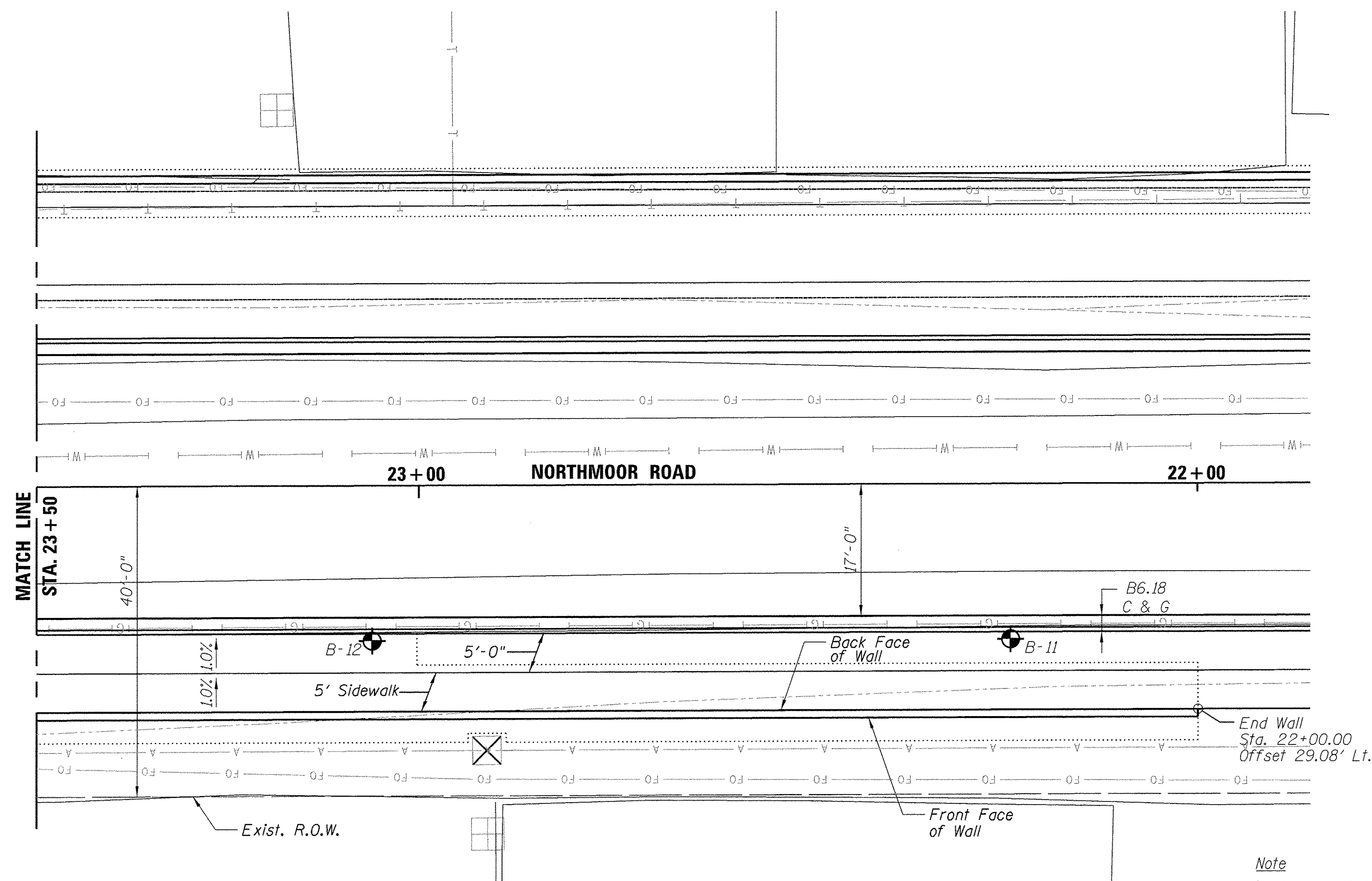
- SA-1. General Plan and Elevation 1
- SA-2. General Plan and Elevation 2
- SA-3. Wall Plan and Elevation 1
- SA-4. Wall Plan and Elevation 2
- SA-5. Wall Plan and Elevation 3
- SA-6. Wall Section & Details
- SA-7. Bicycle Railing
- SA-8. Boring Log 1
- SA-9. Boring Log 2
- SA-10. Boring Log 3

TOTAL BILL OF MATERIAL

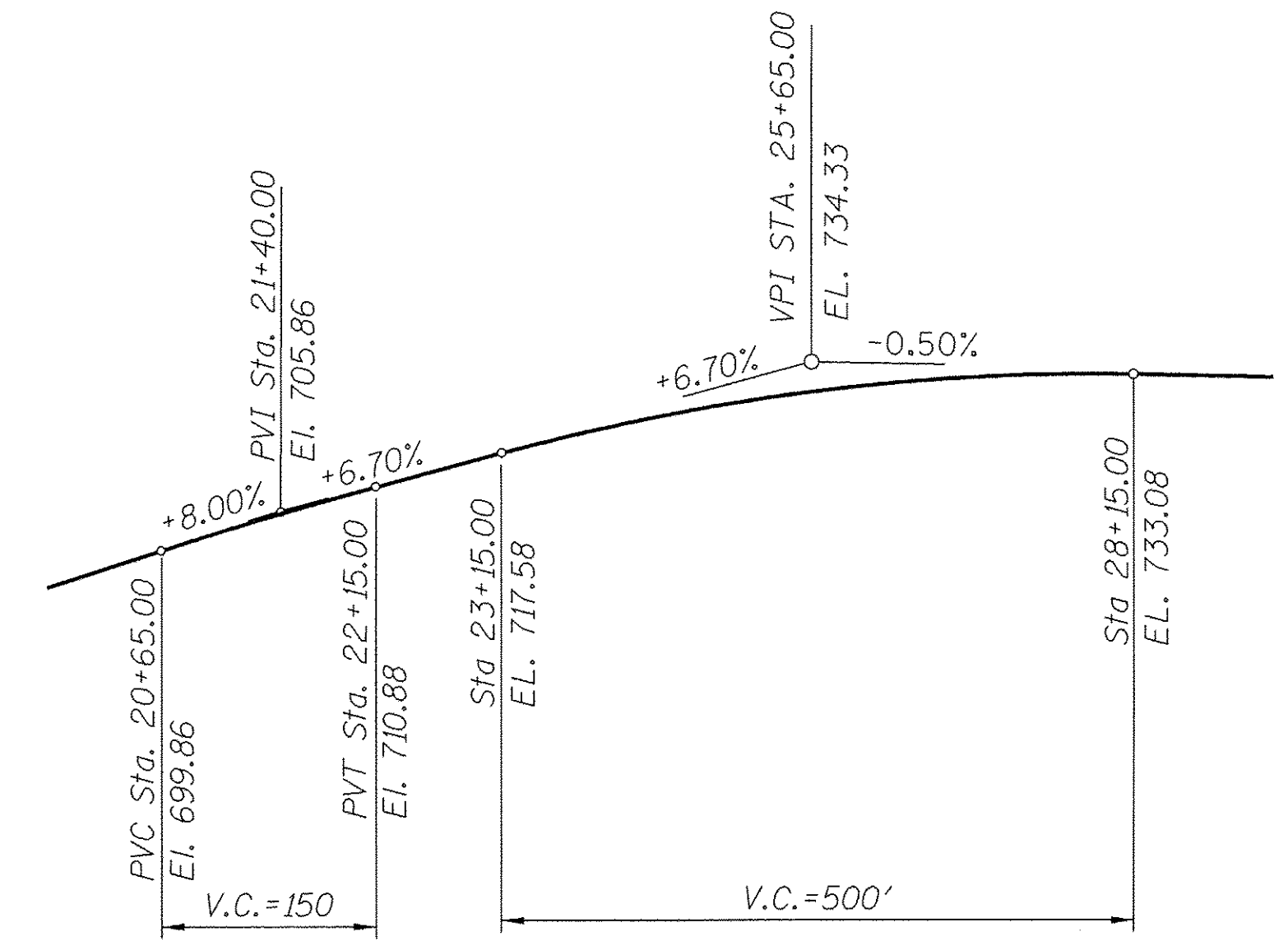
ITEM	UNIT	TOTAL
Structure Excavation	Cu. Yd.	969
Concrete Structures	Cu. Yd.	317.4
Reinforcement Bars, Epoxy Coated	Pound	30,020
Bicycle Railing	Pound	324
Geocomposite Wall Drain	Sq. Yd.	80
Granular Backfill for Structures	Cu. Yd.	106



ELEVATION



PLAN



PROFILE GRADE LINE
(Along Centerline of Northmoor Road)

Note: Offsets are measured from the centerline of Northmoor Rd. to the back face of the wall.

Note: Boring log 10 is located at Sta 21+55, 19' Lt of Centerline of Northmoor Rd.

GENERAL PLAN & ELEVATION
NORTHMOOR ROAD
F.A.U. RTE 6647
SEC. 05-00302-00-PV
PEORIA COUNTY
STATION 22+00 TO 25+24.00



USER NAME = tsledge	DESIGNED - LAS	REVISED -
PLOT SCALE = 10.0000' / 1" =	CHECKED - DAZ	REVISED -
PLOT DATE = 3/9/2017	DRAWN - TCS	REVISED -
	CHECKED - LAS	REVISED -

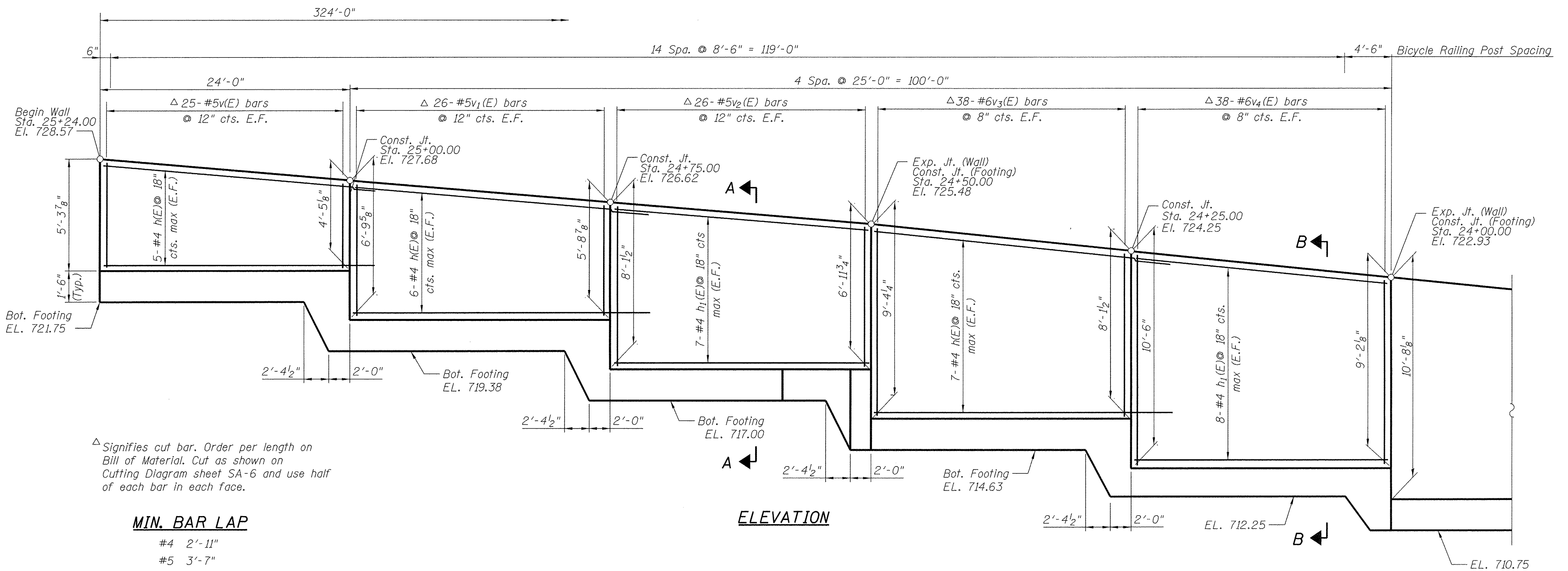
STATE OF ILLINOIS
DEPARTMENT OF TRANSPORTATION

GENERAL PLAN & ELEVATION 2
WALL A STA. 22+00 TO STA. 25+24.00

SHEET NO. SA-2 OF SA-10 SHEETS

F.A.U. RTE. 6647	SECTION 05-00302-00-PV	COUNTY PEORIA	TOTAL SHEETS 385	SHEET NO. 243
CONTRACT NO. 89386				
ILLINOIS FED. AID PROJECT M-5093 (136)				

FILE NAME = P:\2015\0525 Peoria Northmoor Road Restoring Wall Project - Hanson\Project Files\Milhouse Dwg\Drawings\Wall Left\SA-2.GP.&E.dgn

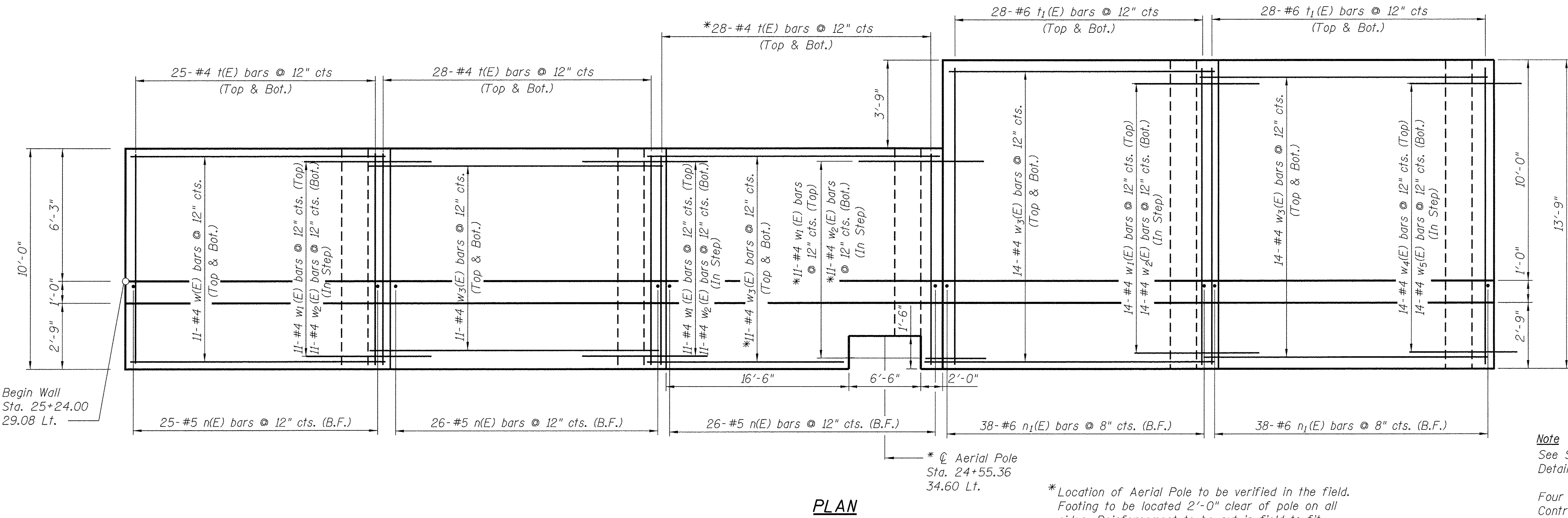


△ Signifies cut bar. Order per length on Bill of Material. Cut as shown on Cutting Diagram sheet SA-6 and use half of each bar in each face.

MIN. BAR LAP

- #4 2'-11"
- #5 3'-7"
- #6 4'-4"

ELEVATION



PLAN

Note
See Sheet SA-6 for Sections A-A and B-B, Details and Bill of Material.
Four 1.5" Dia. Conduits from Electrical Lighting Controller at Sta. 24+42.15 will penetrate wall.

FILE NAME = P:\2015\0535 Peoria Northmoor Road Retaining Wall Project\Hanson\Project Files\Milhouse_Dwg\SA-10.dgn Wall Left\SA-3.dgn



USER NAME = tsledge	DESIGNED - LAS	REVISED -
PLOT SCALE = 5.3333' / 1"	CHECKED - DAZ	REVISED -
PLOT DATE = 3/9/2017	DRAWN - TCS	REVISED -
	CHECKED - LAS	REVISED -

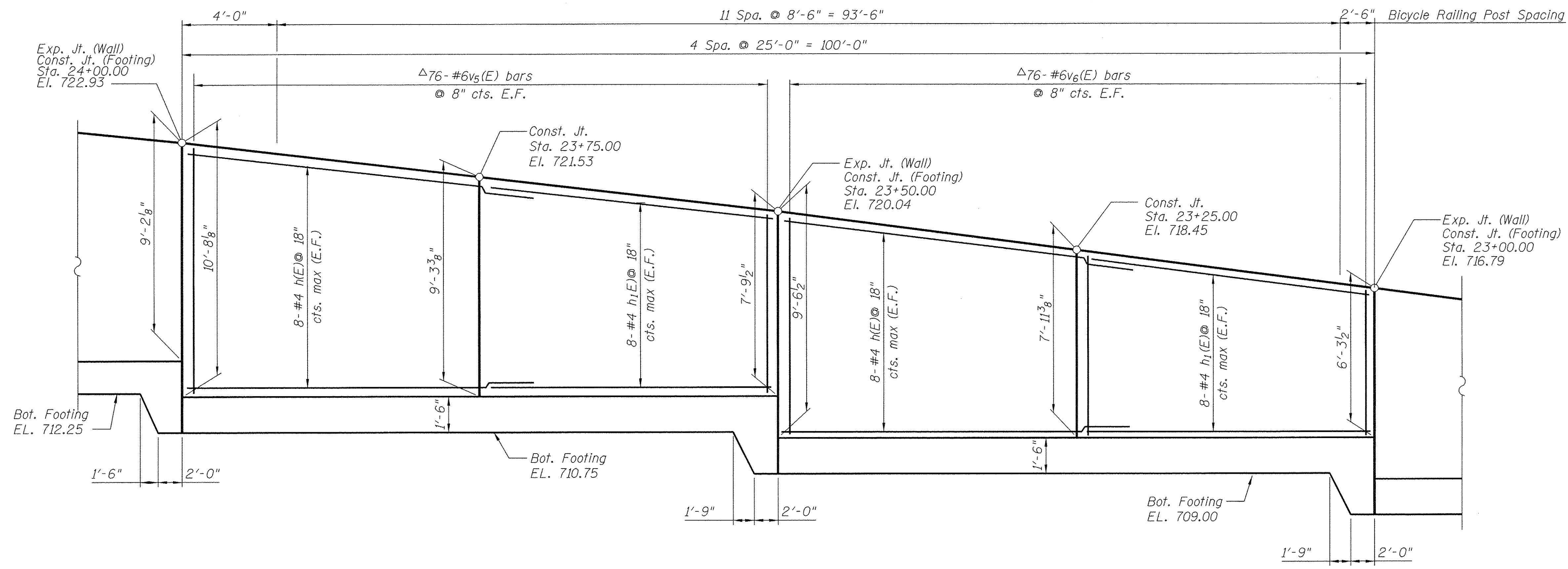
**STATE OF ILLINOIS
DEPARTMENT OF TRANSPORTATION**

**WALL PLAN & ELEVATION 1
WALL A STA. 22+00 to STA. 25+24.00**

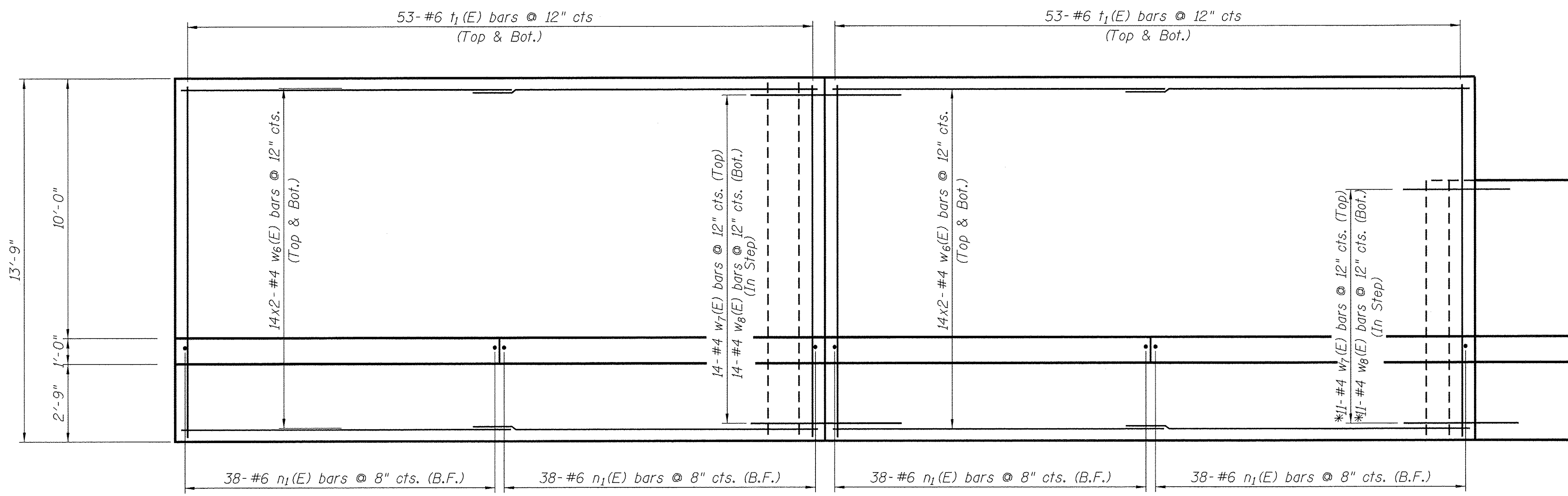
SHEET NO. SA-3 OF SA-10 SHEETS

F.A.U. RTE. 6647	SECTION 05-00302-00-PV	COUNTY PEORIA	TOTAL SHEETS 385	SHEET NO. 244
CONTRACT NO. 89386				
ILLINOIS FED. AID PROJECT M-5093 (136)				

FILE NAME = P:\2015\0595 Peoria Northmoor Road Restoring Wall Project - Hanson\Project Files\Milhouse Dwg\5.Dgn Wall Left\SA-4.dgn



ELEVATION



PLAN

MIN. BAR LAP

- #4 2'-11"
- #5 3'-7"
- #6 4'-4"

Notes

△ Signifies cut bar. Order per length on Bill of Material. Cut as shown on Cutting Diagram sheet SA-6 and use half of each bar in each face.

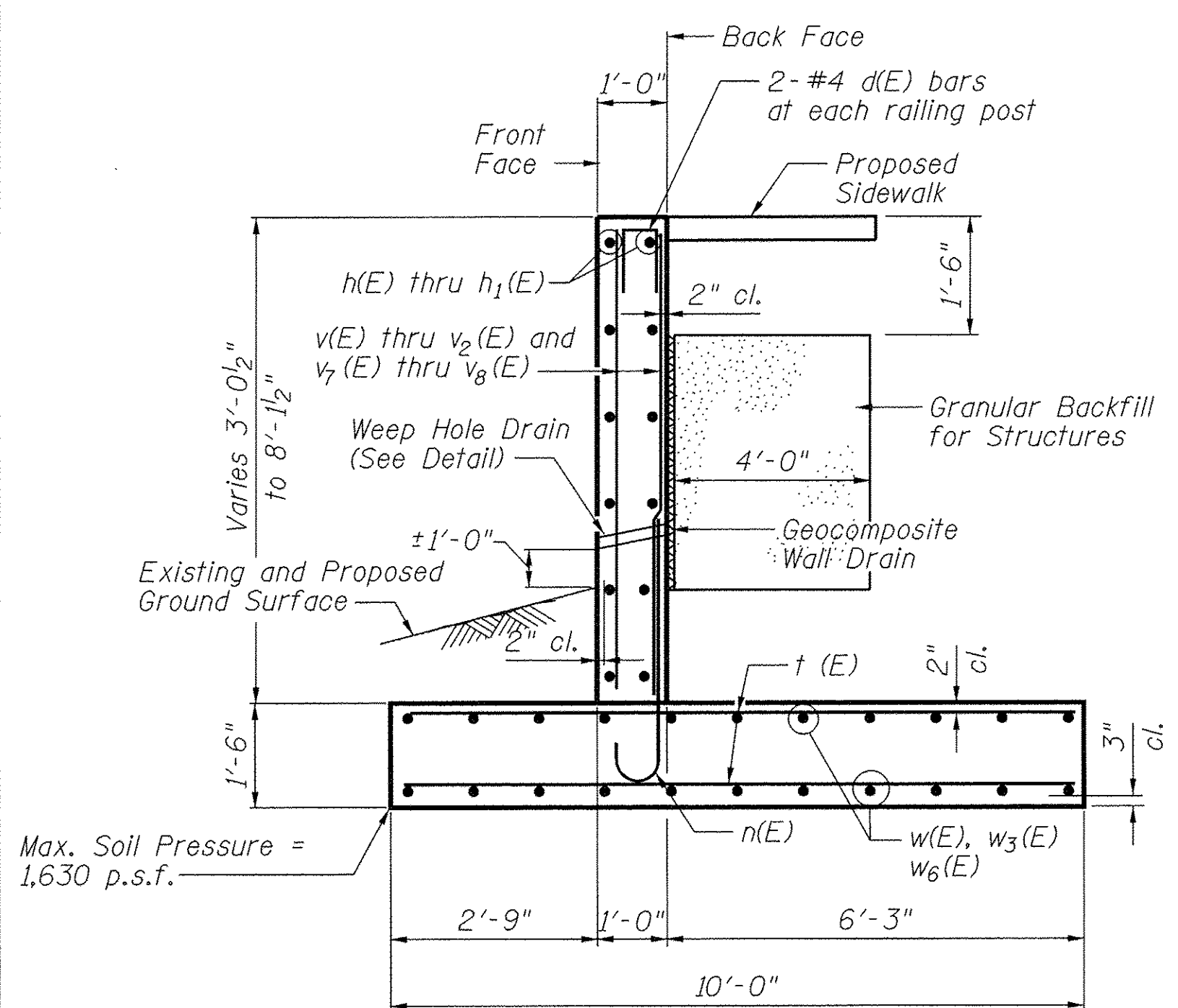
See Sheet SA-6 for Section B-B, Details and Bill of Material.

Bars indicated thus 14x2- #4 etc. indicates 14 lines of bars with 2 lengths per line.

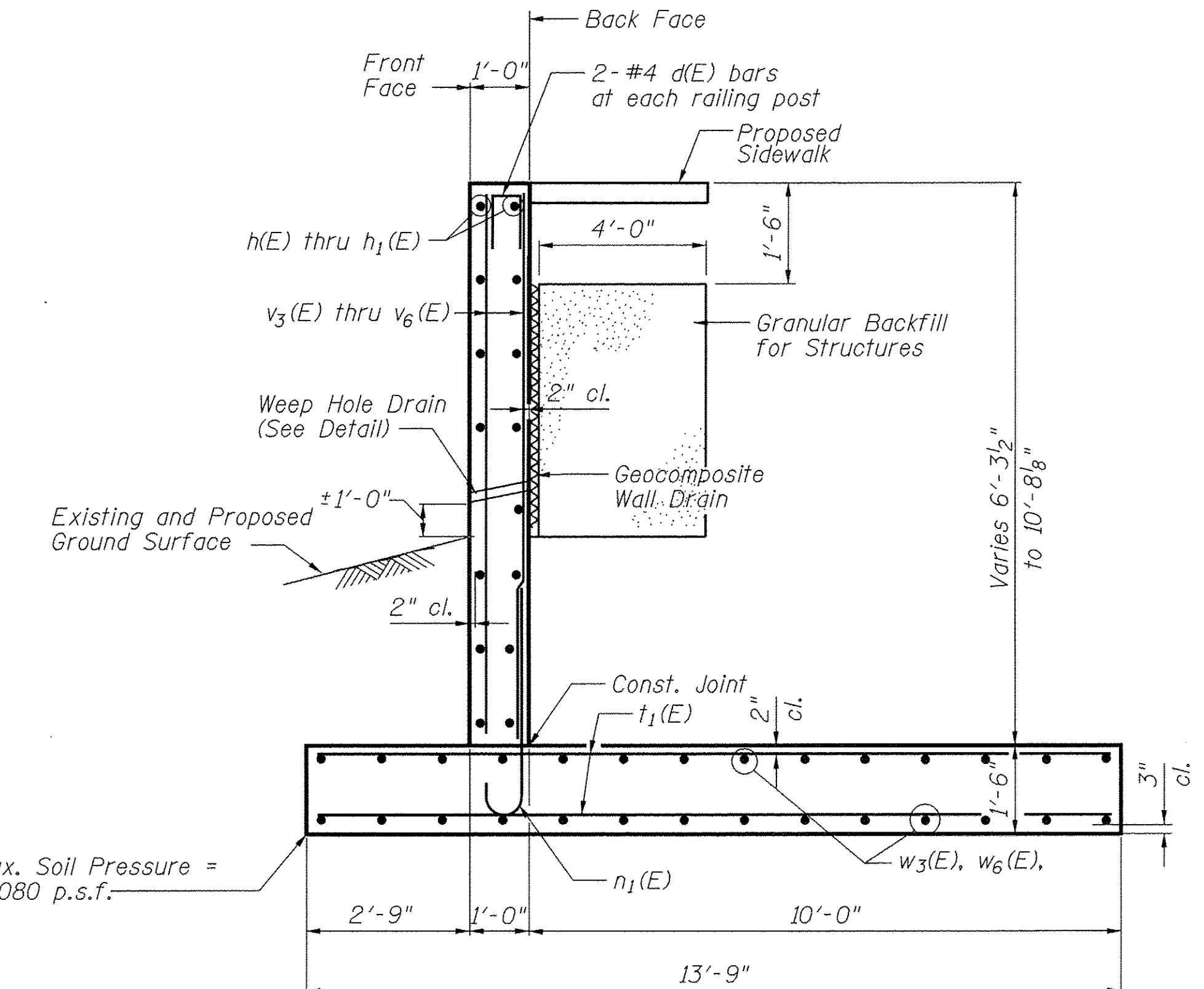
	USER NAME = tsledge	DESIGNED - LAS	REVISED -	STATE OF ILLINOIS DEPARTMENT OF TRANSPORTATION	WALL PLAN & ELEVATION 2 WALL A STA. 22+00 to STA. 25+24.00		F.A.U. RTE. 6647	SECTION 05-00302-00-PV	COUNTY PEORIA	TOTAL SHEETS 385	SHEET NO. 245		
	PLOT SCALE = 5.3333' / in.	DRAWN - TCS	REVISED -				CONTRACT NO. 89386						
	PLOT DATE = 3/9/2017	CHECKED - LAS	REVISED -				SHEET NO. SA-4 OF SA-10 SHEETS		ILLINOIS FED. AID PROJECT M-5093 (136)				

BILL OF MATERIAL

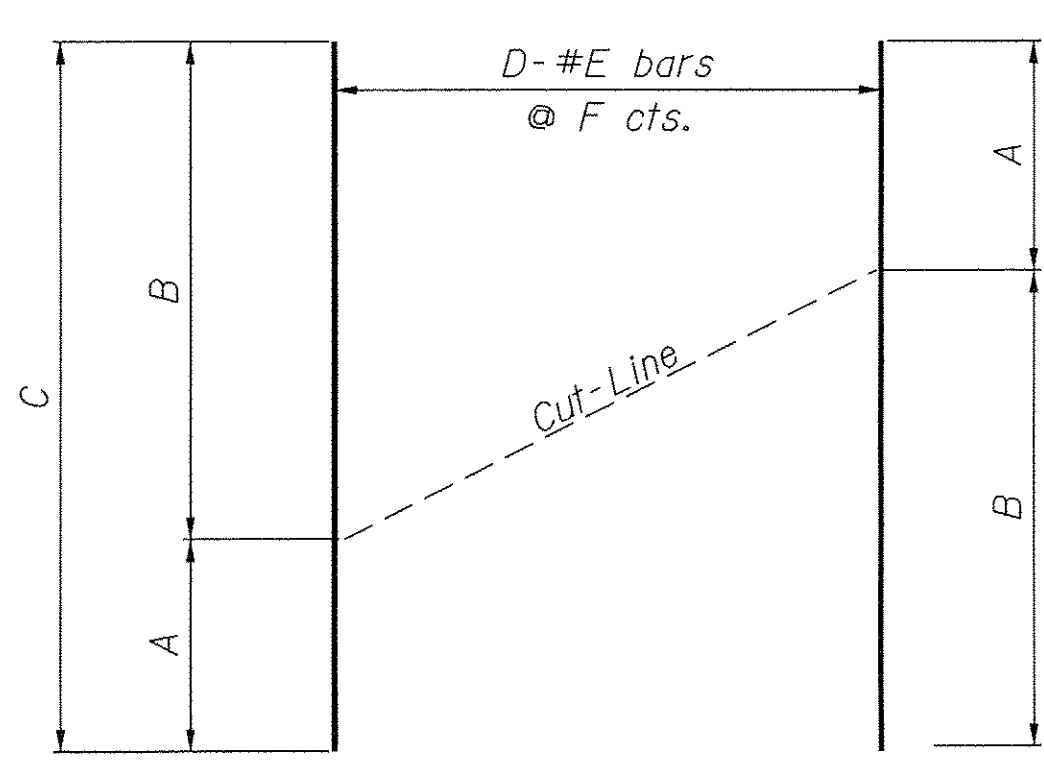
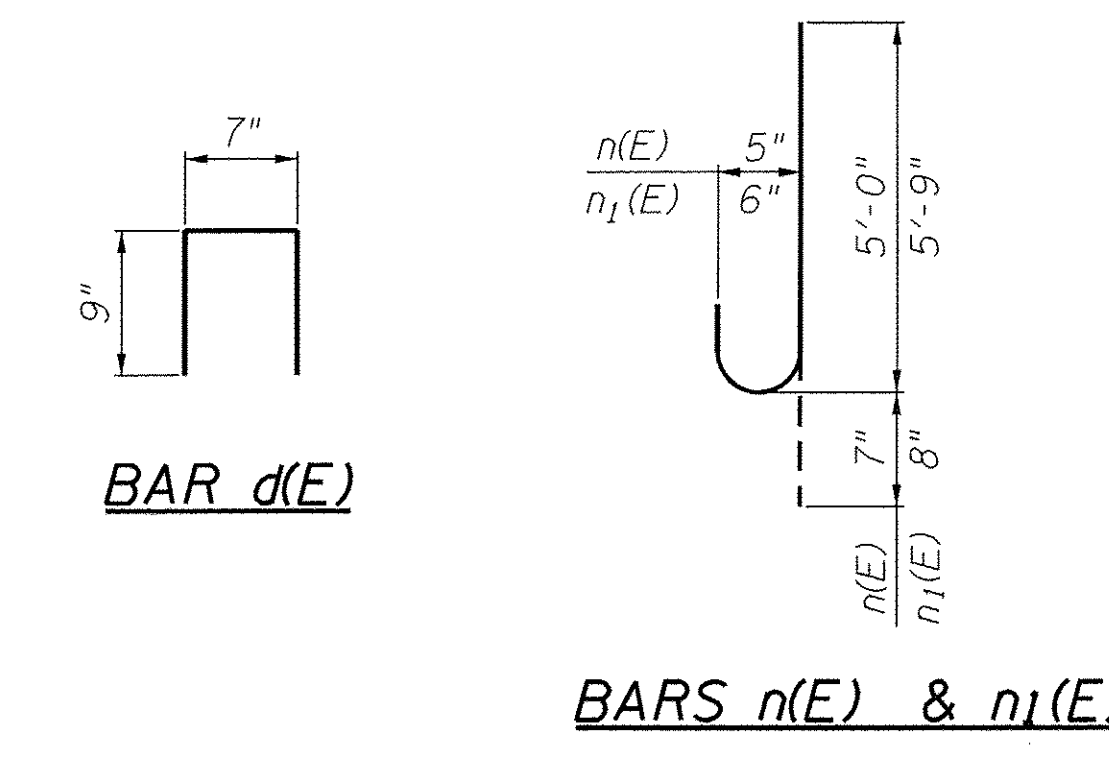
Bar	No.	Size	Length	Shape
d(E)	78	#4	2'-1"	□
h(E)	92	#4	27'-11"	—
h ₁ (E)	86	#4	24'-8"	—
n(E)	181	#5	5'-7"	U
n ₁ (E)	228	#6	6'-5"	U
t(E)	374	#4	9'-8"	—
t ₁ (E)	324	#6	13'-5"	—
v(E)	25	#5	9'-0"	—
v ₁ (E)	26	#5	11'-9"	—
v ₂ (E)	26	#5	14'-5"	—
v ₃ (E)	38	#6	16'-9"	—
v ₄ (E)	38	#6	19'-0"	—
v ₅ (E)	76	#6	17'-9"	—
v ₆ (E)	76	#6	15'-1"	—
v ₇ (E)	52	#5	12'-0"	—
v ₈ (E)	52	#5	8'-9"	—
w(E)	22	#4	23'-8"	—
w ₁ (E)	47	#4	8'-3"	—
w ₂ (E)	47	#4	9'-3"	—
w ₃ (E)	100	#4	26'-8"	—
w ₄ (E)	14	#4	7'-4"	—
w ₅ (E)	14	#4	8'-0"	—
w ₆ (E)	200	#4	26'-4"	—
w ₇ (E)	36	#4	7'-7"	—
w ₈ (E)	36	#4	8'-4"	—
Item	Unit	Quantity		
Concrete Structures	Cu. Yd.	317.4		
Reinforcement Bars, Epoxy Coated	Pound	30,020		
Geocomposite Wall Drain	Sq. Yd.	80		
Granular Backfill for Structures	Cu. Yd.	106		



SECTION A-A

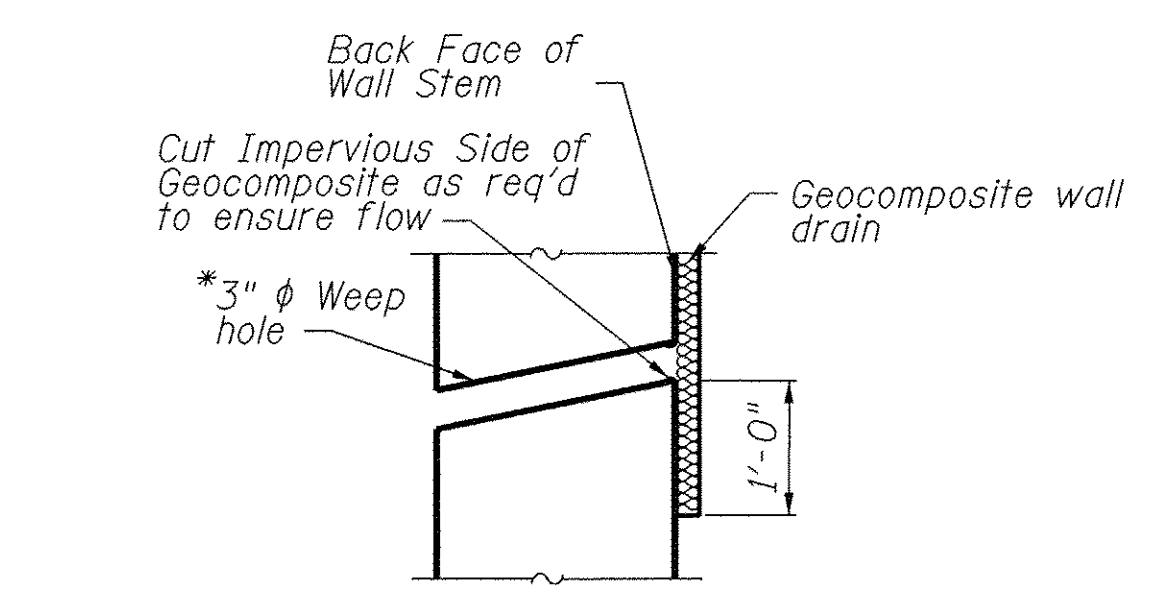


SECTION B-B

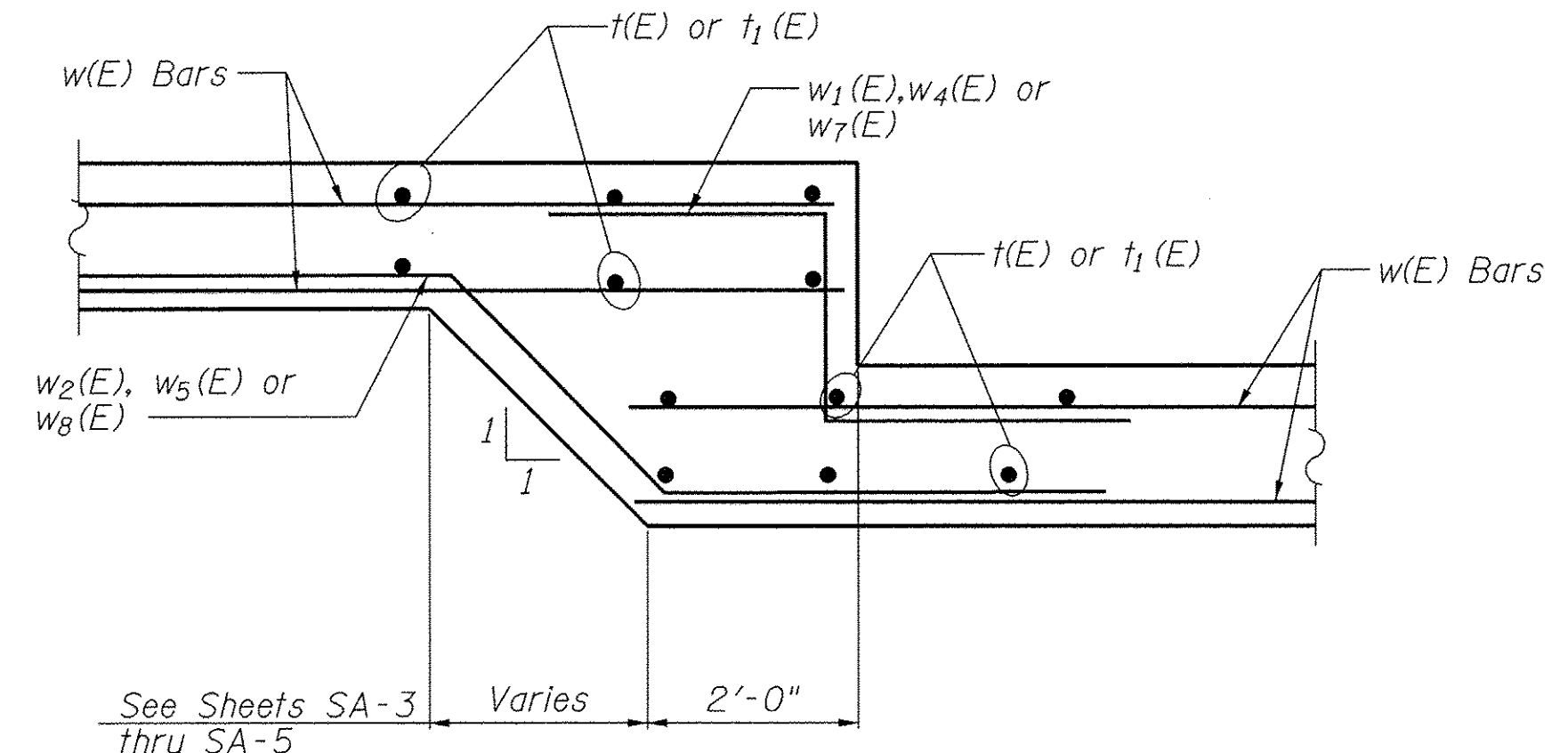


CUTTING DIAGRAM

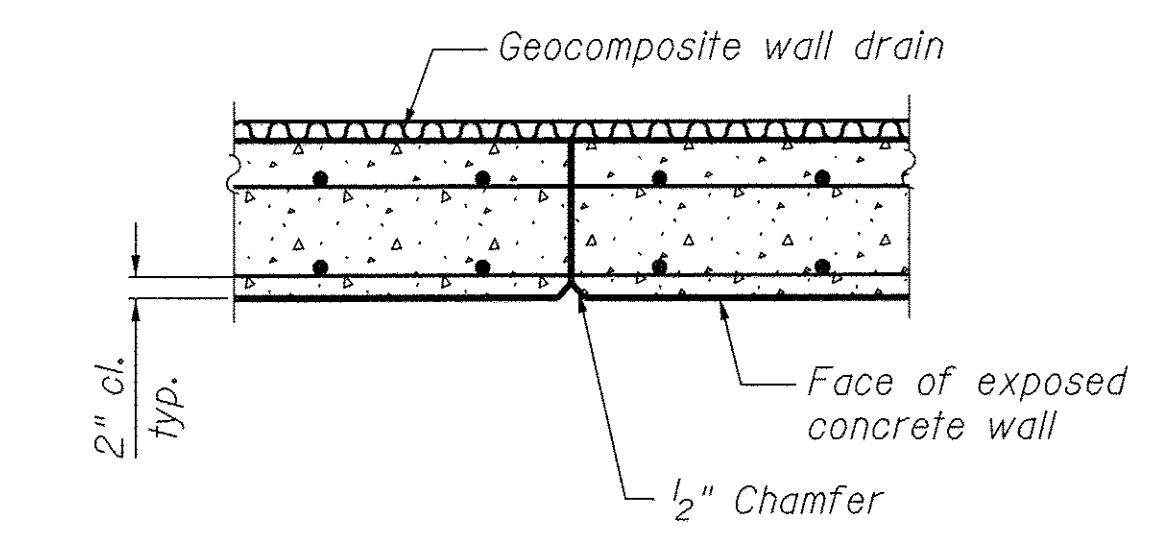
	A	B	C	D	E	F
v(E)	4'-1"	4'-11"	9'-0"	25	#5	12
v ₁ (E)	5'-4"	6'-5"	11'-9"	26	#5	12
v ₂ (E)	6'-8"	7'-9"	14'-5"	26	#5	12
v ₃ (E)	7'-9"	9'-0"	16'-9"	38	#6	8
v ₄ (E)	8'-10"	10'-2"	19'-0"	38	#6	8
v ₅ (E)	7'-5"	10'-4"	17'-9"	76	#6	8
v ₆ (E)	5'-11"	9'-2"	15'-1"	76	#6	8
v ₇ (E)	4'-4"	7'-8"	12'-0"	52	#5	12
v ₈ (E)	2'-8"	6'-1"	8'-9"	52	#5	12



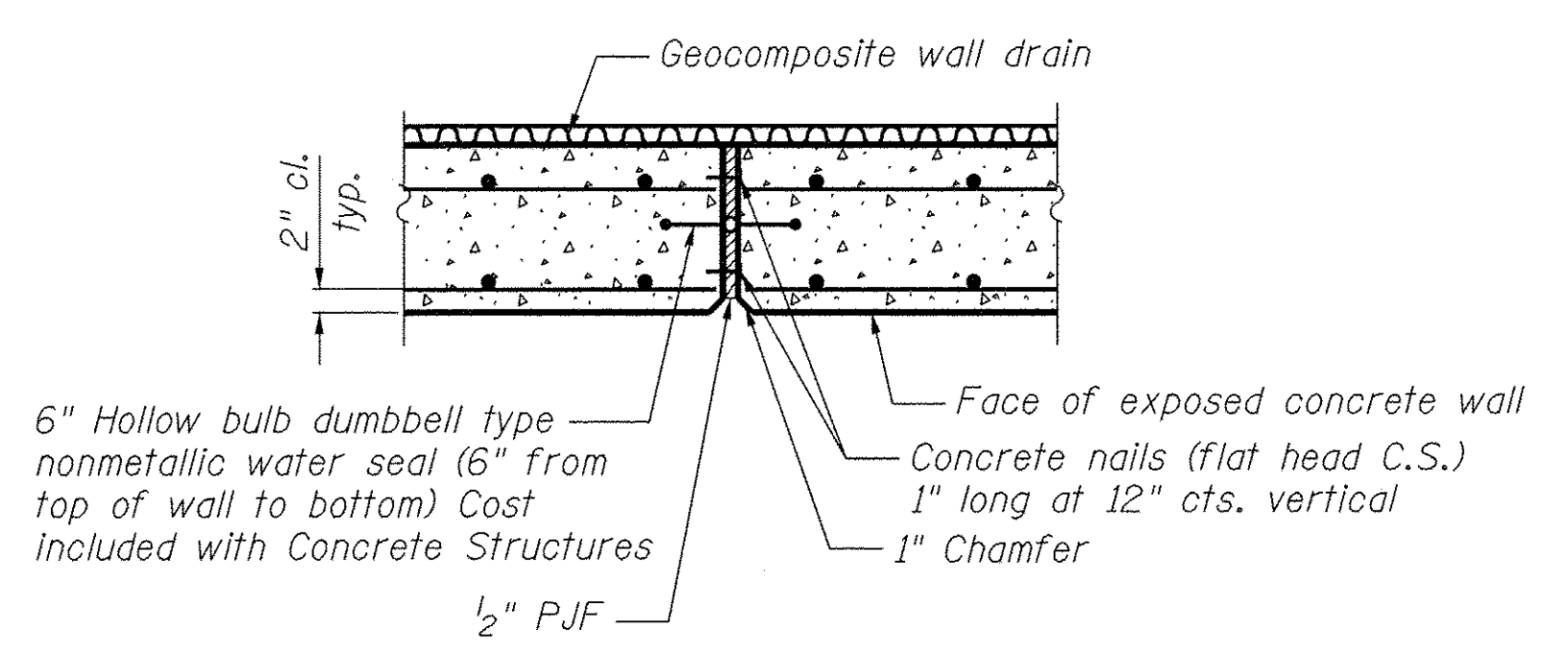
WEEP HOLE DRAIN DETAIL



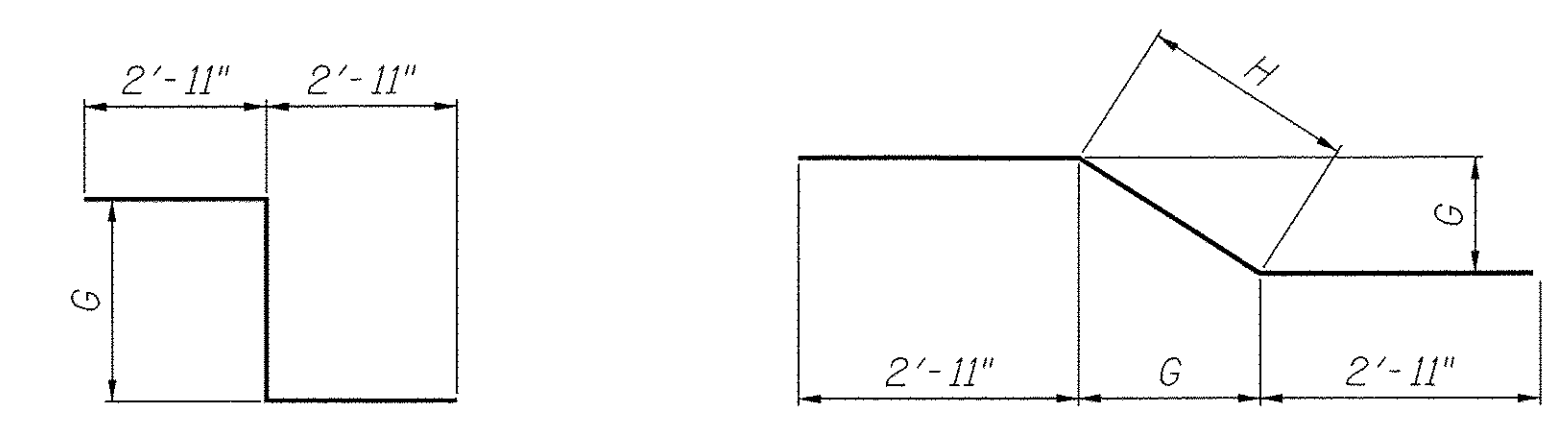
STEP DETAIL



CONSTRUCTION JOINT DETAIL



EXPANSION JOINT DETAIL



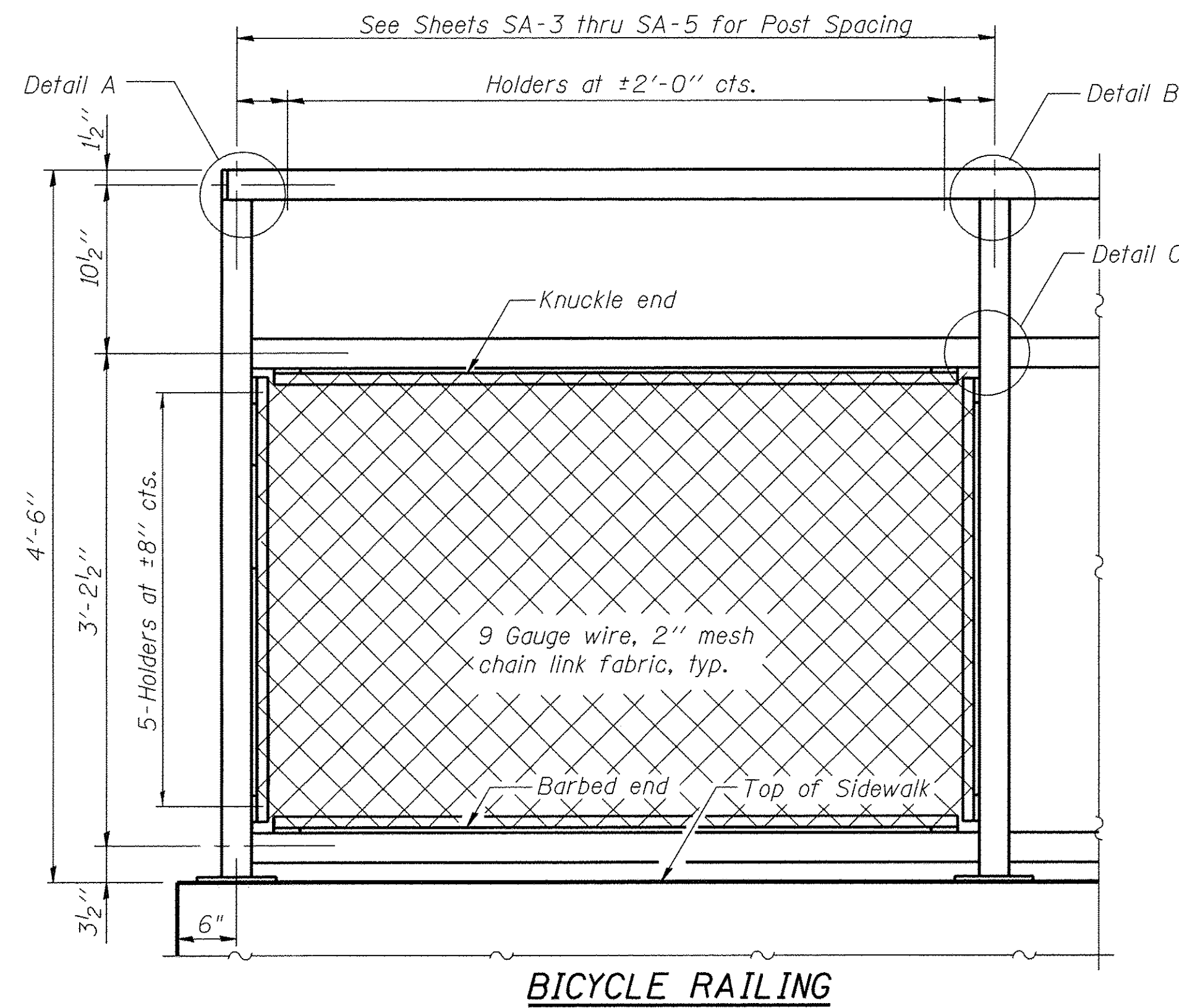
BAR w₁(E), w₄(E) & w₇(E)

BAR w₂(E), w₅(E) & w₈(E)

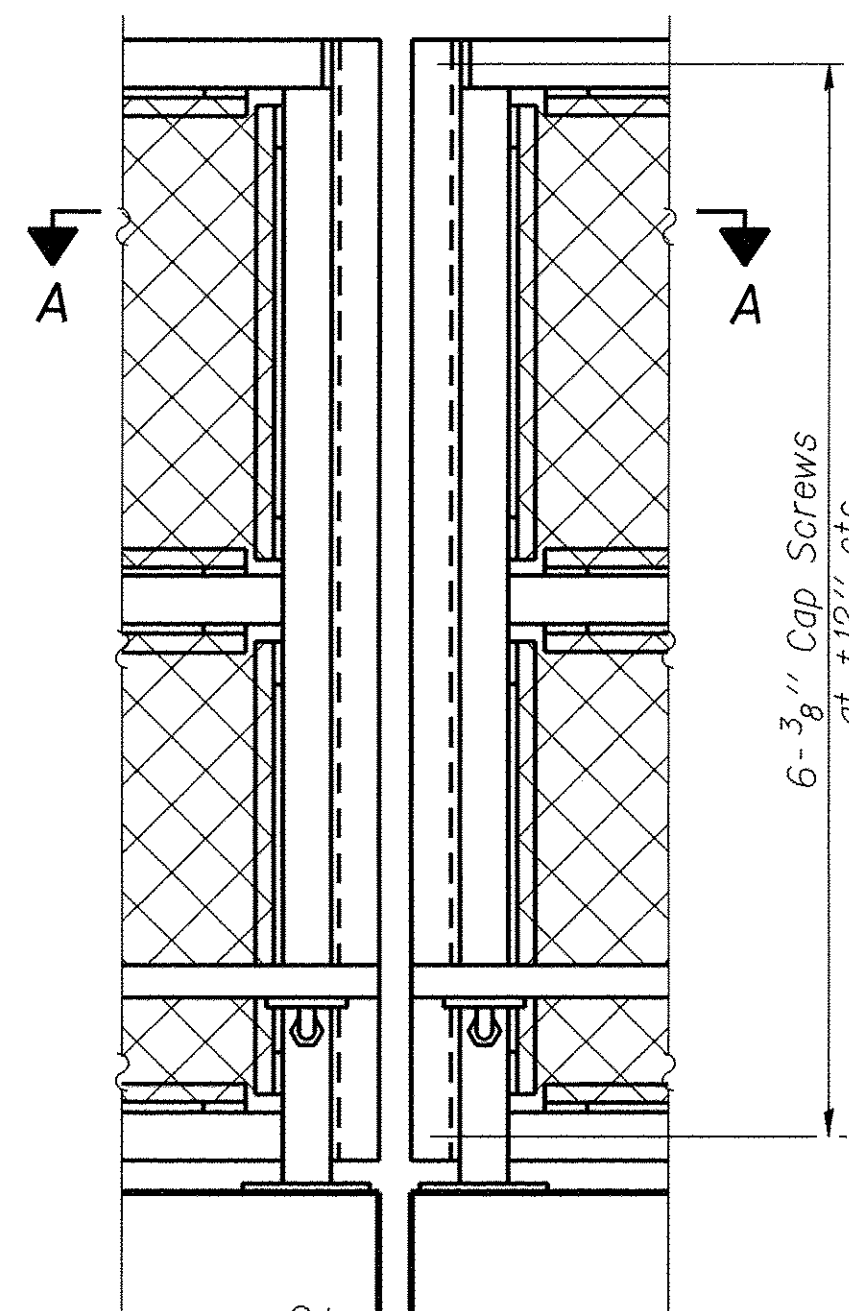
	G	H
w ₁ (E)	2'-5"	
w ₂ (E)	2'-5"	3'-5"
w ₄ (E)	1'-6"	
w ₅ (E)	1'-6"	2'-2"
w ₇ (E)	1'-9"	
w ₈ (E)	1'-9"	2'-6"

FILE NAME = P:\2015\0525 Peoria Northman Road Restoring Wall Project - Hanson\Project Files\Withhouse Dr\g\A\Dgn Wall Left\SA-6.dgn

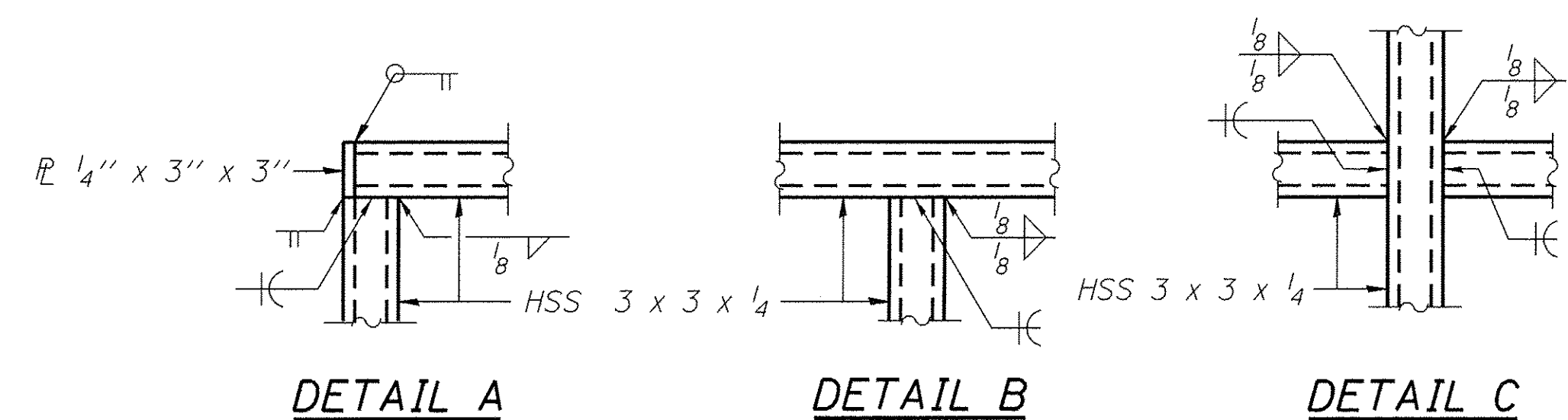
FILE NAME = P:\2015\05936 Peoria Northbound Road Restoring Wall Project - Hanson\Project Files\Milhouse Drawings\Milhouse Wall Left\SA-7.dgn
 PROJECT = Peoria Northbound Road Restoring Wall Project - Hanson\Project Files\Milhouse Drawings\Milhouse Wall Left\SA-7.dgn



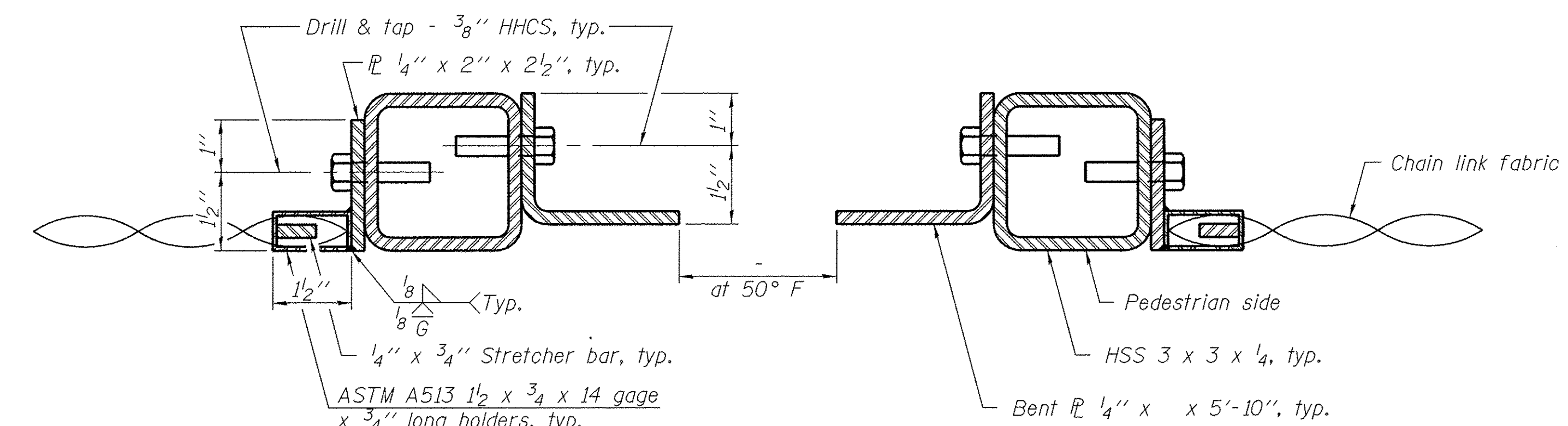
BICYCLE RAILING



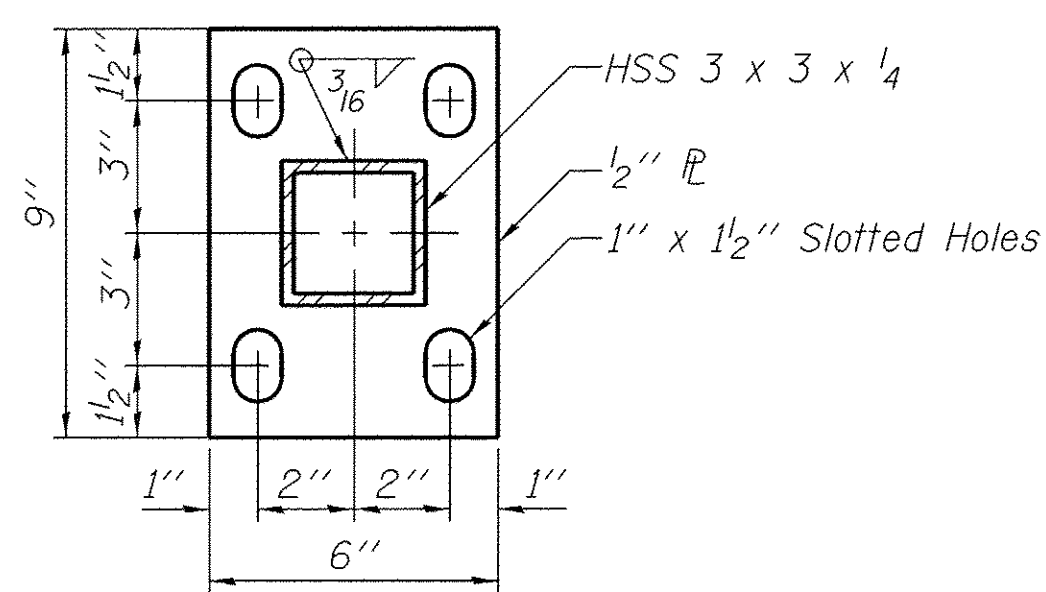
ELEVATION
(At Expansion Joint)



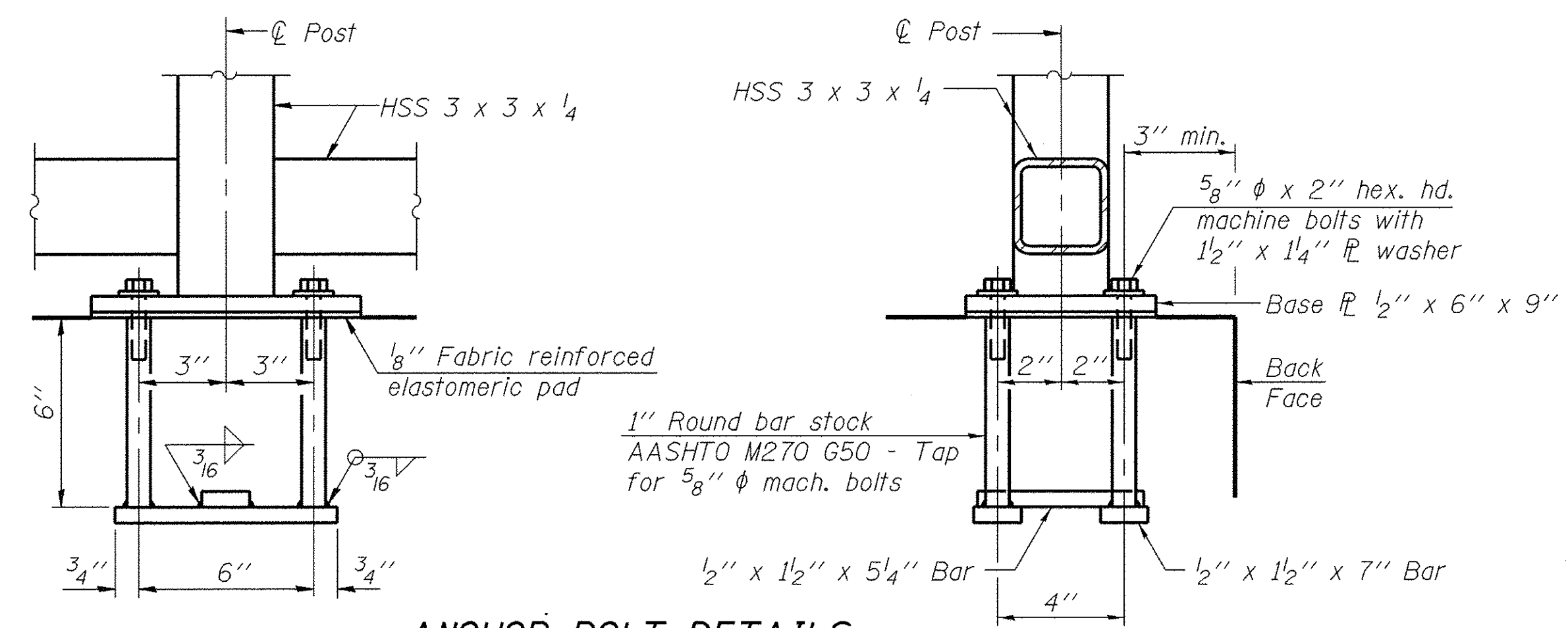
All steel rail elements shall be galvanized according to Article 509.05 of the Standard Specifications.



SECTION A-A

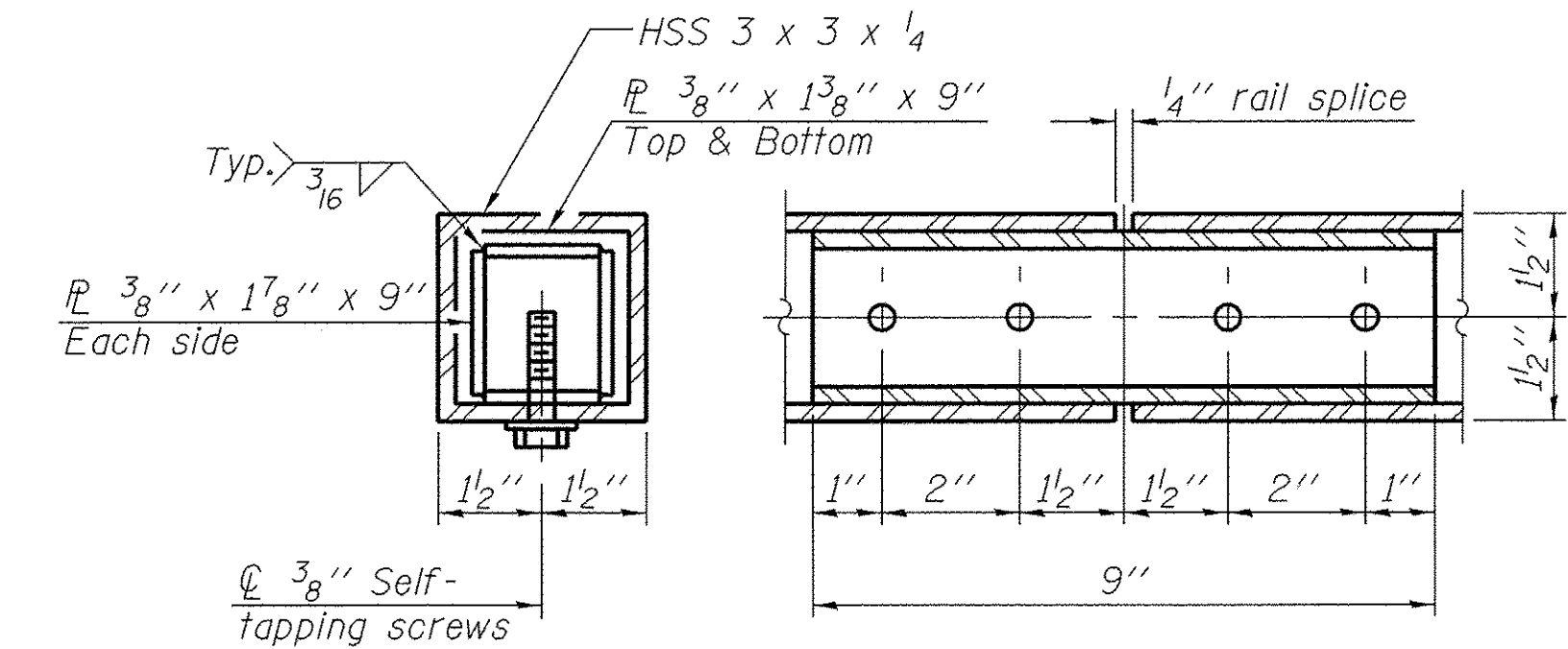


BASE PL



ANCHOR BOLT DETAILS

In lieu of the cast-in-place anchor device shown, the Contractor has the option of drilling and setting 5/8" φ anchor rods according to Article 509.06 of the Standard Specifications. Embedment shall be according to the manufacturer's specifications.



RAIL SPLICE

BILL OF MATERIAL

Item	Unit	Quantity
Bicycle Railing	Foot	324



USER NAME = tsledge	DESIGNED - LAS	REVISED -
PLLOT SCALE = 1:0000 / 1 in.	CHECKED - DAZ	REVISED -
PLLOT DATE = 3/9/2017	DRAWN - TCS	REVISED -
	CHECKED - LAS	REVISED -

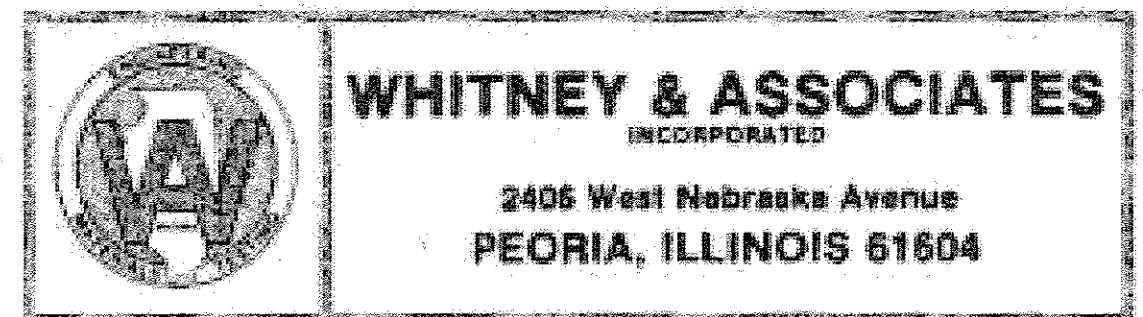
STATE OF ILLINOIS
DEPARTMENT OF TRANSPORTATION

BICYCLE RAILING
WALL A STA. 22+00 to STA. 25+24.00

SHEET NO. SA-7 OF SA-10 SHEETS

F.A.U. RTE. 6647	SECTION 05-00302-00-PV	COUNTY PEORIA	TOTAL SHEETS 385	SHEET NO. 248
CONTRACT NO. 89386				
ILLINOIS FED. AID PROJECT M-5093 (136)				

BORING NO. B-10
 DATE 08-21-08
 W. & A. FILE NO. 4711
 SHEET 10 OF 39



BORING LOG

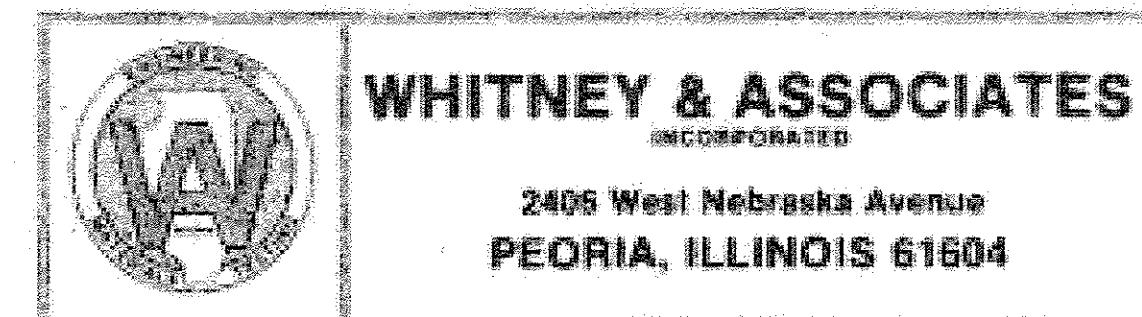
PROJECT NORTHMOOR ROAD IMPROVEMENT LOCATION Peoria, Illinois
 BORING LOCATION Station 21+55; 19' Left of Centerline DRILLED BY FehI
 BORING TYPE Hollow Stem Auger WEATHER CONDITIONS Partly Cloudy & Mild
 SOIL CLASSIFICATION SYSTEM U.S.B.S.C. SEEPAGE WATER ENCOUNTERED AT ELEVATION (-) 8.0 Ft.
 GROUND SURFACE ELEVATION 707.5 GROUND WATER ELEVATION AT HRS -
 BORING DISCONTINUED AT ELEVATION 686.5 GROUND WATER ELEVATION AT COMPLETION (-) 6.0 Ft.

DESCRIPTION	DEPTH IN FEET	SAMPLE TYPE	N	Qp	Qu	Dd	Mc
Brown SANDY CLAY LOAM Organic Topsoil	0-1						
Very Stiff, Brown, Weathered GLACIAL SILTY CLAY TILL	1-4	SS	15	4.1	3.9	121	13
	4-8	SS	12	3.5	3.3	119	14
Stiff, Brown, Weathered GLACIAL SILTY CLAY TILL	8-12	SS	19	2.2	1.9	117	16
Medium-Density, Gray-Brown, Fine- To Medium-Grained SAND	12-16	SS	13	-	-	-	17
	16-20	SS	11	-	-	-	-
Medium-Density, Gray-Brown, Fine- To Coarse-Grained SAND And Fine-Grained GRAVEL	20-24	SS	13	-	-	-	-
EXPLORATORY BORING DISCONTINUED	24						

N - BLOWS DELIVERED PER FOOT BY A 140 LB. HAMMER FALLING 30 INCHES
 SS - SPLIT SPOON SAMPLE
 ST - SHELBY TUBE SAMPLE
 Qp - CALIBRATED PENETROMETER READING - T.S.F.
 Qu - UNCONFINED COMPRESSIVE STRENGTH - T.S.F.
 Dd - NATURAL DRY DENSITY - P.C.F.
 Mc - NATURAL MOISTURE CONTENT - %

WHITNEY & ASSOCIATES
 PEORIA, ILLINOIS

BORING NO. B-11
 DATE 08-20-08
 W. & A. FILE NO. 4711
 SHEET 11 OF 39



BORING LOG

PROJECT NORTHMOOR ROAD IMPROVEMENT LOCATION Peoria, Illinois
 BORING LOCATION Station 22+24; 20' Left of Centerline DRILLED BY FehI
 BORING TYPE Hollow Stem Auger WEATHER CONDITIONS Partly Cloudy & Mild
 SOIL CLASSIFICATION SYSTEM U.S.B.S.C. SEEPAGE WATER ENCOUNTERED AT ELEVATION None
 GROUND SURFACE ELEVATION 711.7 GROUND WATER ELEVATION AT HRS -
 BORING DISCONTINUED AT ELEVATION 690.7 GROUND WATER ELEVATION AT COMPLETION None

DESCRIPTION	DEPTH IN FEET	SAMPLE TYPE	N	Qp	Qu	Dd	Mc
Dark Brown SILTY CLAY Organic Topsoil	0-1						
Stiff, Brown SILTY CLAY LOAM	1-4	SS	8	1.3	1.1	98	22
	4-8	SS	12	3.0	2.8	119	14
Very Stiff, Brown, Weathered GLACIAL SILTY CLAY TILL	8-12	SS	13	3.4	3.2	119	13
Hard, Brown, Weathered GLACIAL SILTY CLAY TILL	12-16	SS	16	4.5+	4.2	123	12
	16-20	SS	16	3.5	3.1	120	14
Very Stiff, Brown, Weathered GLACIAL SILTY CLAY TILL	20-24	SS	18	4.0	3.7	121	13
EXPLORATORY BORING DISCONTINUED	24						

N - BLOWS DELIVERED PER FOOT BY A 140 LB. HAMMER FALLING 30 INCHES
 SS - SPLIT SPOON SAMPLE
 ST - SHELBY TUBE SAMPLE
 Qp - CALIBRATED PENETROMETER READING - T.S.F.
 Qu - UNCONFINED COMPRESSIVE STRENGTH - T.S.F.
 Dd - NATURAL DRY DENSITY - P.C.F.
 Mc - NATURAL MOISTURE CONTENT - %

WHITNEY & ASSOCIATES
 PEORIA, ILLINOIS

FILE NAME = P:\2015\0535 Peoria Northmoor Road Restoring Wall Project - Hanson\Project - Files\Milhouse - Drgs\A.Dgn Wall Left\SA-B-Boring_Log1.dgn



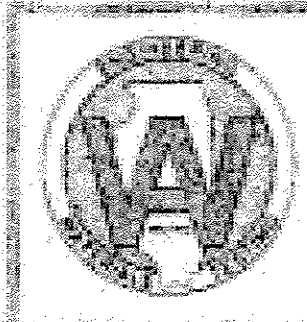
USER NAME = tsledge	DESIGNED - LAS	REVISED -
PLOT SCALE = 1:8000 / 1" = 80'	CHECKED - DAZ	REVISED -
PLOT DATE = 3/9/2017	DRAWN - TCS	REVISED -
	CHECKED - LAS	REVISED -

STATE OF ILLINOIS
 DEPARTMENT OF TRANSPORTATION

BORING LOG 1
WALL A STA. 22+00 to STA. 25+24.00
 SHEET NO. SA-8 OF SA-10 SHEETS

F.A.U. RTE. 6647	SECTION 05-00302-00-PV	COUNTY PEORIA	TOTAL SHEETS 385	SHEET NO. 249
CONTRACT NO. 89386				ILLINOIS FED. AID PROJECT M-5093 (136)

BORING NO. B-12
 DATE 08-20-08
 W. & A. FILE NO. 4711
 SHEET 12 OF 39



WHITNEY & ASSOCIATES
 INCORPORATED
 2406 West Nebraska Avenue
 PEORIA, ILLINOIS 61604

BORING LOG

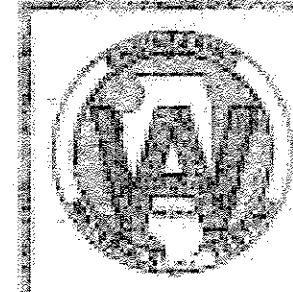
PROJECT NORTHMOOR ROAD IMPROVEMENT LOCATION Peoria, Illinois
 BORING LOCATION Station 23+06: 20' Left of Centerline DRILLED BY Fehl
 BORING TYPE Hollow Stem Auger WEATHER CONDITIONS Partly Cloudy & Mild
 SOIL CLASSIFICATION SYSTEM U.S.B.S.C. SEEPAGE WATER ENCOUNTERED AT ELEVATION None
 GROUND SURFACE ELEVATION 716.1 GROUND WATER ELEVATION AT - HRS. -
 BORING DISCONTINUED AT ELEVATION 695.1 GROUND WATER ELEVATION AT COMPLETION None

DESCRIPTION	DEPTH IN FEET	SAMPLE TYPE	N	Qp	Qu	Dd	Mc
Brown SANDY CLAY LOAM Organic Topsoil	7						
Stiff, Brown And Gray SILTY CLAY		SS	6	1.4	1.2	94	26
	4						
		SS	8	2.2	1.9	98	23
Stiff, Brown, Weathered GLACIAL SILTY CLAY TILL							
	8						
		SS	7	1.5	1.2	114	20
		SS	10	1.6	1.3	115	19
Very Stiff, Brown, Weathered GLACIAL SILTY CLAY TILL							
	12						
		SS	14	2.4	2.2	119	15
Hard, Brown And Gray, Weathered GLACIAL SILTY CLAY TILL							
	16						
		SS	20	4.5+	4.3	122	12
Very Stiff, Gray, Unweathered GLACIAL SILTY CLAY TILL							
	20						
		SS	14	2.5	2.3	119	14
EXPLORATORY BORING DISCONTINUED							
	24						

N - BLOWS DELIVERED PER FOOT BY A 140 LB. HAMMER FALLING 30 INCHES
 SS - SPLIT SPOON SAMPLE
 ST - SHELBY TUBE SAMPLE
 Qp - CALIBRATED PENETROMETER READING - T.S.F.
 Qu - UNCONFINED COMPRESSIVE STRENGTH - T.S.F.
 Dd - NATURAL DRY DENSITY - P.C.F.
 Mc - NATURAL MOISTURE CONTENT - %

WHITNEY & ASSOCIATES
 PEORIA, ILLINOIS

BORING NO. B-13
 DATE 08-20-08
 W. & A. FILE NO. 4711
 SHEET 13 OF 39



WHITNEY & ASSOCIATES
 INCORPORATED
 2406 West Nebraska Avenue
 PEORIA, ILLINOIS 61604

BORING LOG

PROJECT NORTHMOOR ROAD IMPROVEMENT LOCATION Peoria, Illinois
 BORING LOCATION Station 23+82: 20' Left of Centerline DRILLED BY Fehl
 BORING TYPE Hollow Stem Auger WEATHER CONDITIONS Partly Cloudy & Mild
 SOIL CLASSIFICATION SYSTEM U.S.B.S.C. SEEPAGE WATER ENCOUNTERED AT ELEVATION None
 GROUND SURFACE ELEVATION 720.4 GROUND WATER ELEVATION AT - HRS. -
 BORING DISCONTINUED AT ELEVATION 699.4 GROUND WATER ELEVATION AT COMPLETION None

DESCRIPTION	DEPTH IN FEET	SAMPLE TYPE	N	Qp	Qu	Dd	Mc
Brown SANDY CLAY LOAM With Trace Of Crushed Limestone	8						
Medium, Brown SILTY CLAY With A Trace Of Coarse-Grained Sand and Gravel (Fill)		SS	5	1.0	0.9	96	23
Stiff, Brown SILTY CLAY							
	4						
		SS	6	1.5	1.3	96	24
Medium, Orange-Brown And Gray SILTY CLAY							
	8						
		SS	5	0.9	0.8	93	27
Very Stiff, Brown, Weathered GLACIAL SILTY CLAY TILL							
	12						
		SS	10	2.5	2.3	119	14
Hard, Brown, Weathered GLACIAL SILTY CLAY TILL							
	16						
		SS	22	4.5	4.2	121	13
Very Stiff, Gray, Unweathered GLACIAL SILTY CLAY TILL							
	20						
		SS	13	2.4	2.2	118	15
EXPLORATORY BORING DISCONTINUED							
	24						

N - BLOWS DELIVERED PER FOOT BY A 140 LB. HAMMER FALLING 30 INCHES
 SS - SPLIT SPOON SAMPLE
 ST - SHELBY TUBE SAMPLE
 Qp - CALIBRATED PENETROMETER READING - T.S.F.
 Qu - UNCONFINED COMPRESSIVE STRENGTH - T.S.F.
 Dd - NATURAL DRY DENSITY - P.C.F.
 Mc - NATURAL MOISTURE CONTENT - %

WHITNEY & ASSOCIATES
 PEORIA, ILLINOIS

FILE NAME = P:\2015\0595 Peoria Northmoor Road Retaining Wall Project - Hanson\Project Files\Millhouse Dwg\1Dgn Wall Left\SA-9 Boring Log-2.dgn



USER NAME = tsledge
 PLOT SCALE = 1,0000' / 1" =
 PLOT DATE = 3/9/2017

DESIGNED - LAS
 CHECKED - DAZ
 DRAWN - TCS
 CHECKED - LAS

REVISED -
 REVISED -
 REVISED -
 REVISED -

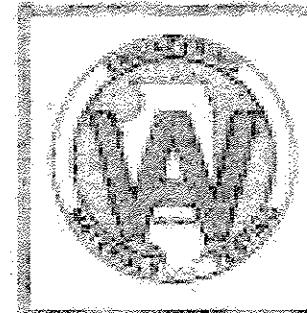
STATE OF ILLINOIS
 DEPARTMENT OF TRANSPORTATION

BORING LOG 2
 WALL A STA. 22+00 to STA. 24+00

SHEET NO. SA-9 OF SA-10 SHEETS

F.A.U. RTE.	SECTION	COUNTY	TOTAL SHEETS	SHEET NO.
6647	05-00302-00-PV	PEORIA	385	250
CONTRACT NO. 89386				
ILLINOIS FED. AID PROJECT M-5093 (136)				

BORING NO. B-14
 DATE 08-20-08
 W. & A. FILE NO. 4711
 SHEET 14 OF 39



WHITNEY & ASSOCIATES
 INCORPORATED
 2406 West Nebraska Avenue
 PEORIA, ILLINOIS 61604

BORING LOG

PROJECT NORTHMOOR ROAD IMPROVEMENT LOCATION Peoria, Illinois
 BORING LOCATION Station 24+45, 19' Left of Centerline DRILLED BY Fehl
 BORING TYPE Hollow Stem Auger WEATHER CONDITIONS Partly Cloudy & Mild
 SOIL CLASSIFICATION SYSTEM U.S.B.S.C. SEEPAGE WATER ENCOUNTERED AT ELEVATION None
 GROUND SURFACE ELEVATION 724.4 GROUND WATER ELEVATION AT HRS.
 BORING DISCONTINUED AT ELEVATION 703.4 GROUND WATER ELEVATION AT COMPLETION None

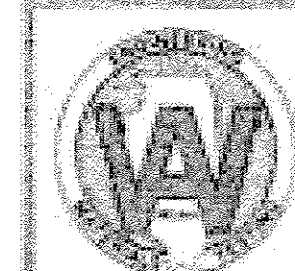
DESCRIPTION	DEPTH IN FEET	SAMPLE TYPE	N	Q _p	Q _u	D _s	M _c
Brown SANDY CLAY LOAM With Trace Of Crushed Limestone	8'						
Stiff, Brown SILTY CLAY		SS	10	1.8	1.6	98	22
Medium, Brown SILTY CLAY	4'						
		SS	7	0.9	0.8	94	26
Very Stiff, Brown, Weathered GLACIAL SILTY CLAY TILL	8'						
		SS	13	3.3	2.9	119	14
Stiff, Brown, Weathered GLACIAL SILTY CLAY TILL	12'						
		SS	10	2.0	1.9	117	15
	12'						
		SS	9	1.8	1.7	117	15
Very Stiff, Gray, Unweathered GLACIAL SILTY CLAY TILL	16'						
		SS	16	3.8	3.5	120	13
	20'						
		SS	14	3.3	3.1	119	13
EXPLORATORY BORING DISCONTINUED	24'						

N - BLOWS DELIVERED PER FOOT BY A 140 LB. HAMMER FALLING 30 INCHES
 SS - SPLIT SPOON SAMPLE
 ST - SHELBY TUBE SAMPLE

Q_p - CALIBRATED PENETROMETER READING - T.S.F.
 Q_u - UNCONFINED COMPRESSIVE STRENGTH - T.S.F.
 D_s - NATURAL DRY DENSITY - P.C.F.
 M_c - NATURAL MOISTURE CONTENT - %

WHITNEY & ASSOCIATES
 PEORIA, ILLINOIS

BORING NO. B-15
 DATE 08-20-08
 W. & A. FILE NO. 4711
 SHEET 15 OF 39



WHITNEY & ASSOCIATES
 INCORPORATED
 2406 West Nebraska Avenue
 PEORIA, ILLINOIS 61604

BORING LOG

PROJECT NORTHMOOR ROAD IMPROVEMENT LOCATION Peoria, Illinois
 BORING LOCATION Station 25+09, 22' Left of Centerline DRILLED BY Fehl
 BORING TYPE Hollow Stem Auger WEATHER CONDITIONS Partly Cloudy & Mild
 SOIL CLASSIFICATION SYSTEM U.S.B.S.C. SEEPAGE WATER ENCOUNTERED AT ELEVATION None
 GROUND SURFACE ELEVATION 727.9 GROUND WATER ELEVATION AT HRS.
 BORING DISCONTINUED AT ELEVATION 706.9 GROUND WATER ELEVATION AT COMPLETION None

DESCRIPTION	DEPTH IN FEET	SAMPLE TYPE	N	Q _p	Q _u	D _s	M _c
Brown SANDY LOAM With Crushed Limestone	8'						
Very Stiff, Brown, Weathered GLACIAL SILTY CLAY TILL		SS	16	3.3	3.1	118	14
Hard, Brown, Weathered GLACIAL SILTY CLAY TILL	4'						
		SS	17	4.3	4.1	121	12
Very Stiff, Brown And Gray, Weathered GLACIAL SILTY CLAY TILL	8'						
		SS	15	3.6	3.4	119	13
	12'						
		SS	16	4.0	3.9	120	13
	12'						
		SS	22	3.5	3.1	122	14
Very Stiff, Gray, Unweathered GLACIAL SILTY CLAY TILL	16'						
		SS	20	3.5	3.2	120	14
	20'						
		SS	18	2.8	2.6	118	15
EXPLORATORY BORING DISCONTINUED	24'						

N - BLOWS DELIVERED PER FOOT BY A 140 LB. HAMMER FALLING 30 INCHES
 SS - SPLIT SPOON SAMPLE
 ST - SHELBY TUBE SAMPLE

Q_p - CALIBRATED PENETROMETER READING - T.S.F.
 Q_u - UNCONFINED COMPRESSIVE STRENGTH - T.S.F.
 D_s - NATURAL DRY DENSITY - P.C.F.
 M_c - NATURAL MOISTURE CONTENT - %

WHITNEY & ASSOCIATES
 PEORIA, ILLINOIS

FILE NAME = P:\2015\0595 Peoria Northmoor Road Retaining Wall Project - Hanson\Project Files\Milhouse Drgs\Dgn Mall Left\SA-10 Boring Log 3.dgn



USER NAME = tsledge
 PLOT SCALE = 1,0000' / 1" = 10000
 PLOT DATE = 3/9/2017

DESIGNED - LAS
 CHECKED - DAZ
 DRAWN - TCS
 CHECKED - LAS

REVISED -
 REVISED -
 REVISED -
 REVISED -

STATE OF ILLINOIS
 DEPARTMENT OF TRANSPORTATION

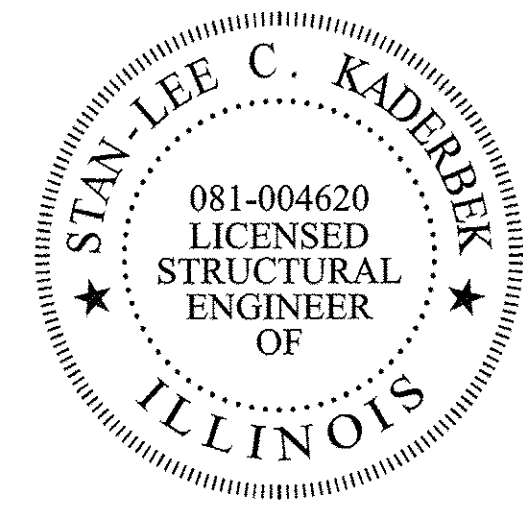
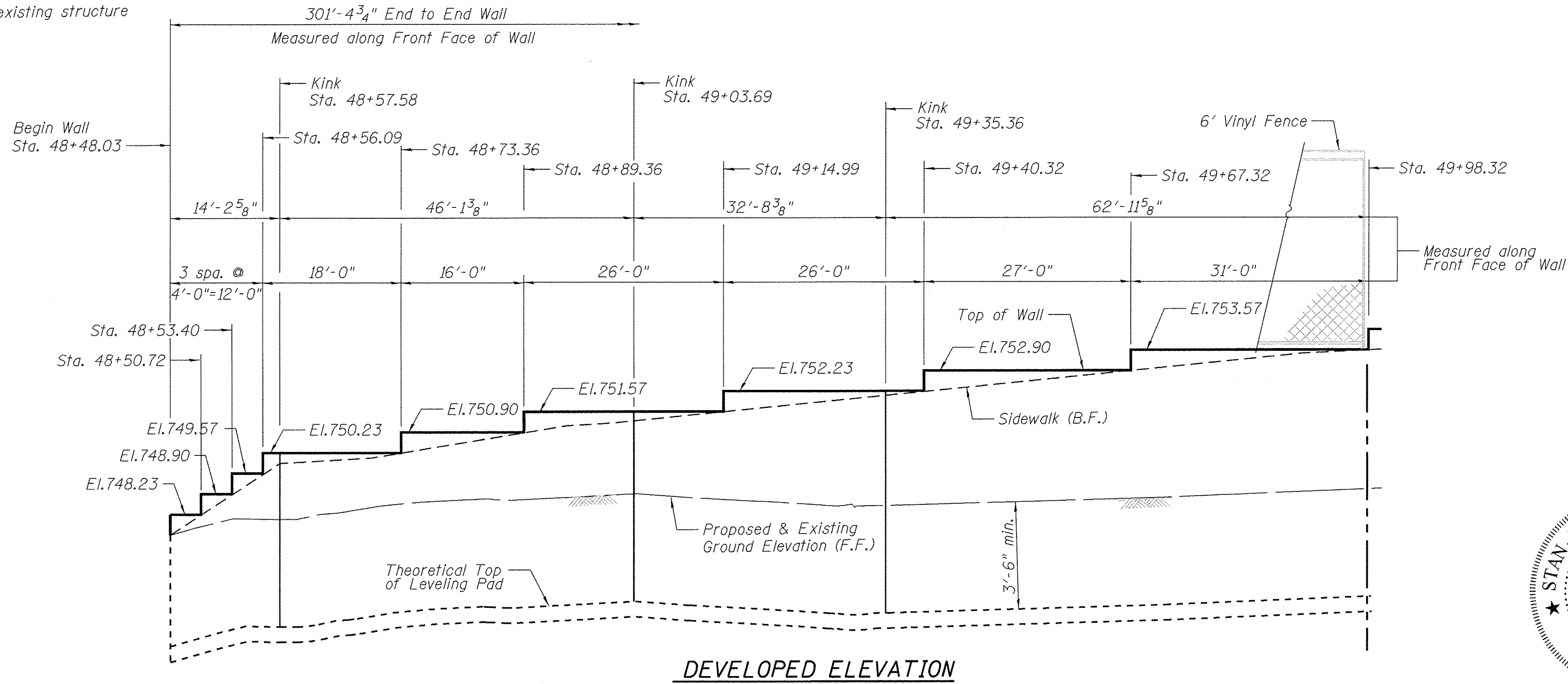
BORING LOG 3
 WALL A STA. 22 + 00 to STA. 25 + 24.00

SHEET NO. SA-10 OF SA-10 SHEETS

F.A.U. RTE. 6647	SECTION 05-00302-00-PV	COUNTY PEORIA	TOTAL SHEETS 385	SHEET NO. 251
CONTRACT NO. 89386				
ILLINOIS FED. AID PROJECT M-5093 (136)				

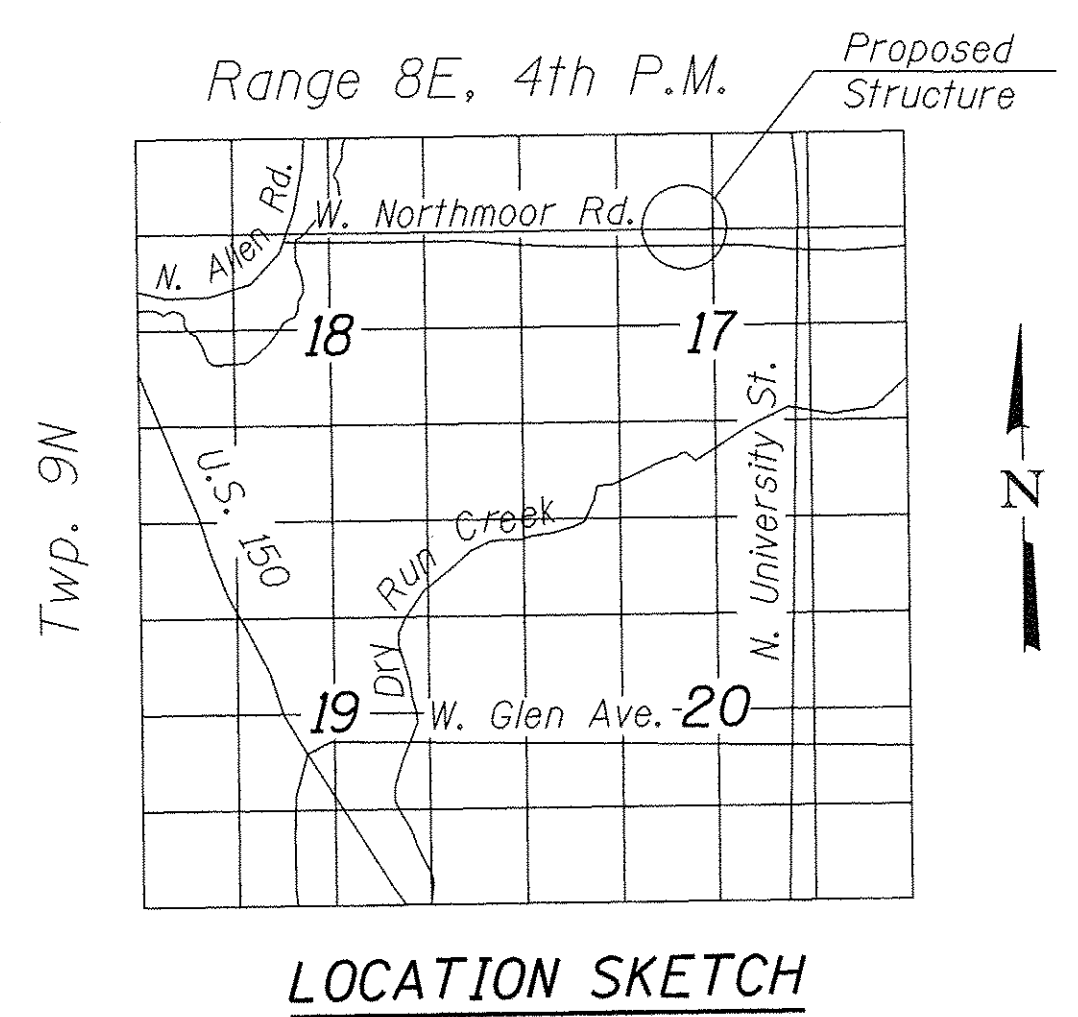
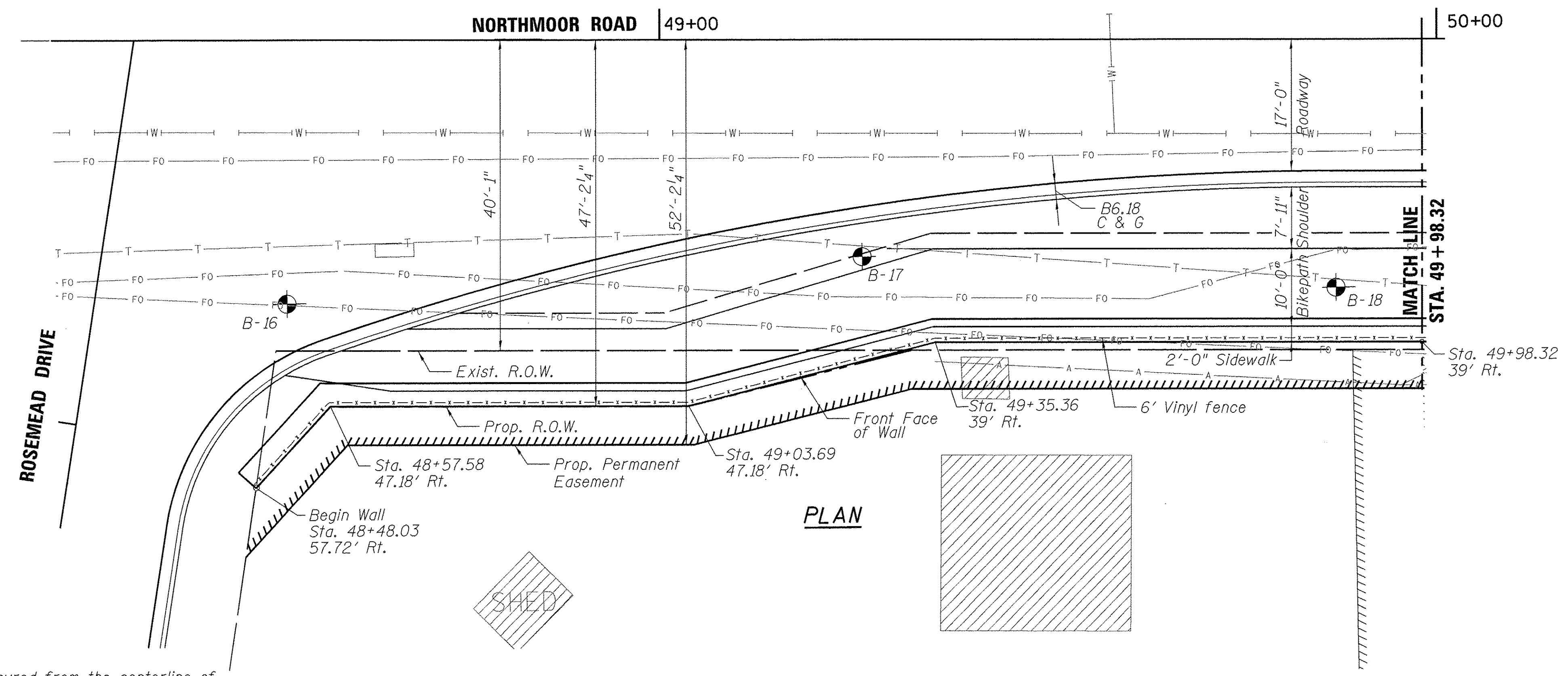
Benchmark: BM #8- N. nut on fire hydrant in the S.W. quadrant of the Northmoor Rd. and Rosemead Dr. intersection. El.749.73

Existing Structure: No existing structure



Signature: *[Signature]* Date: March 10, 2017

Expires: November 30, 2018



Note: Offsets are measured from the centerline of Northmoor Rd. to the front face of the wall.



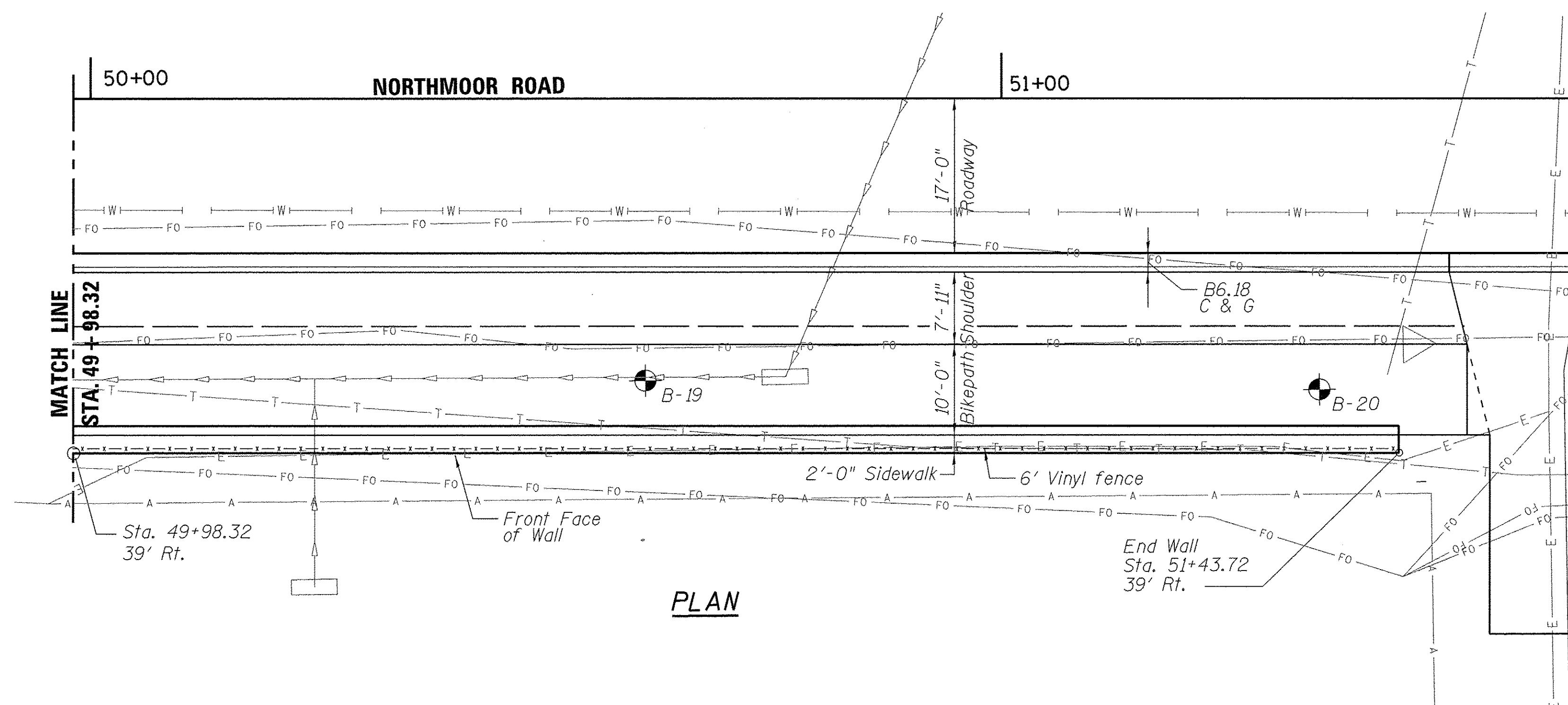
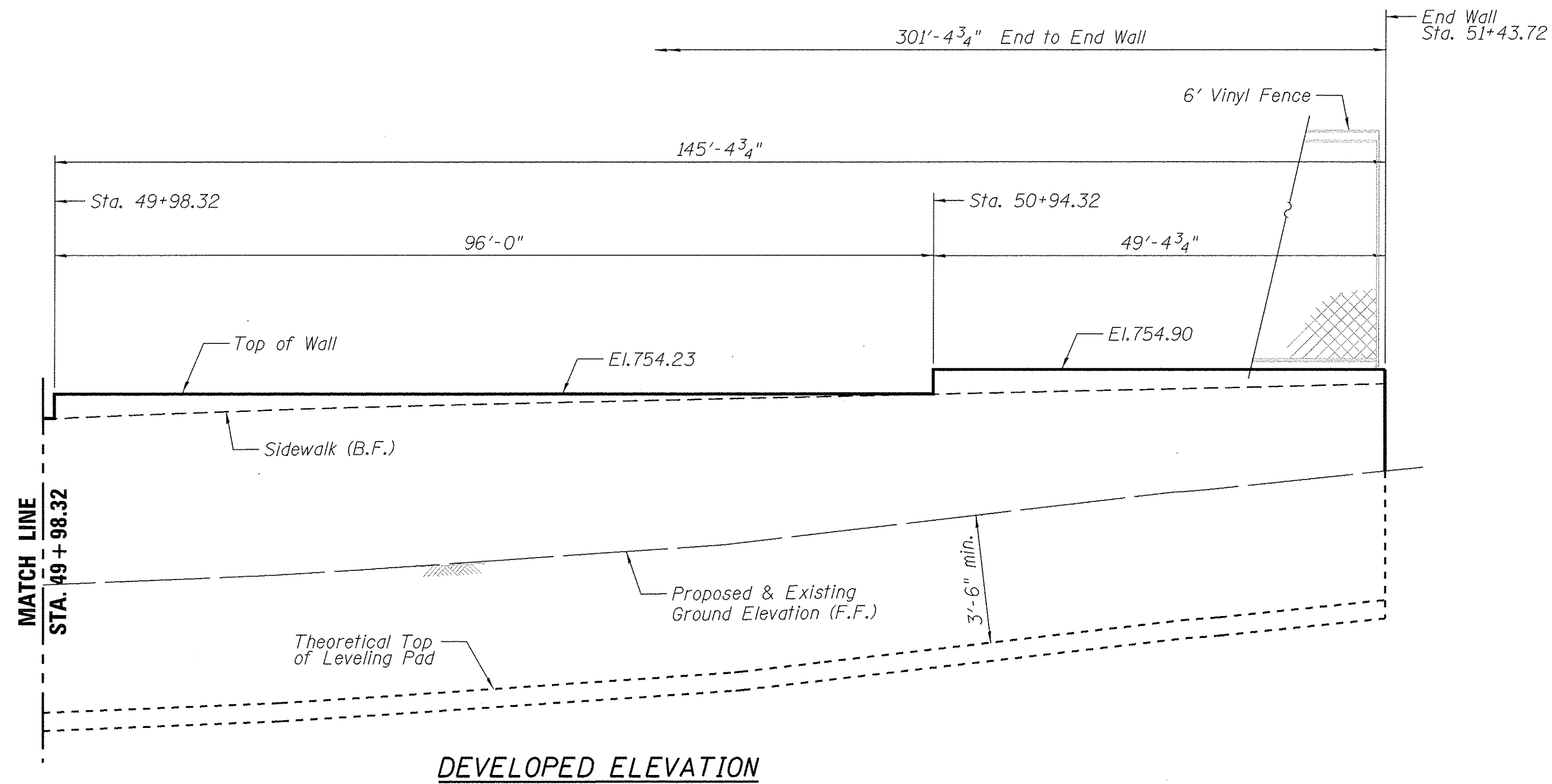
USER NAME = tsledge	DESIGNED - LAS	REVISED -
PLOT SCALE = 10.0000' / in.	CHECKED - DAZ	REVISED -
PLOT DATE = 3/10/2017	DRAWN - TCS	REVISED -
	CHECKED - LAS	REVISED -

STATE OF ILLINOIS
DEPARTMENT OF TRANSPORTATION

GENERAL PLAN & ELEVATION 1
WALL C STA. 48+48.03 TO STA. 51+43.72

F.A.U. RTE.	SECTION	COUNTY	TOTAL SHEETS	SHEET NO.
6647	05-00302-00-PV	PEORIA	385	252
CONTRACT NO. 89386			ILLINOIS FED. AID PROJECT M-5093 (136)	

FILE NAME = P:\2015\0595 Peoria Northmoor Road Restoring Wall Project - Hanson\Project Files\Milhouse Dwg\4.Dgn 28T\SC-L.dgn



Note: Offsets are measured from the centerline of Northmoor Rd. to the front face of the wall.

FILE NAME = P:\2015\0595 Peoria Northmoor Road Retaining Wall Project v Hansen\Project Files\Milhouse Dwg's\Dgn 2RT\SC-2.dgn



USER NAME = tsledge	DESIGNED - LAS	REVISED -
PLOT SCALE = 10,0000' / in.	CHECKED - DAZ	REVISED -
PLOT DATE = 3/10/2017	DRAWN - TCS	REVISED -
	CHECKED - LAS	REVISED -

STATE OF ILLINOIS
DEPARTMENT OF TRANSPORTATION

GENERAL PLAN & ELEVATION 2
WALL C STA. 48 + 48.03 to STA. 51 + 43.72

SHEET NO. SC-2 OF SC-6 SHEETS

F.A.U. RTE.	SECTION	COUNTY	TOTAL SHEETS	SHEET NO.
6647	05-00302-00-PV	PEORIA	385	253
CONTRACT NO. 89386				
ILLINOIS FED. AID PROJECT M-5093 (136)				

INDEX OF SHEETS

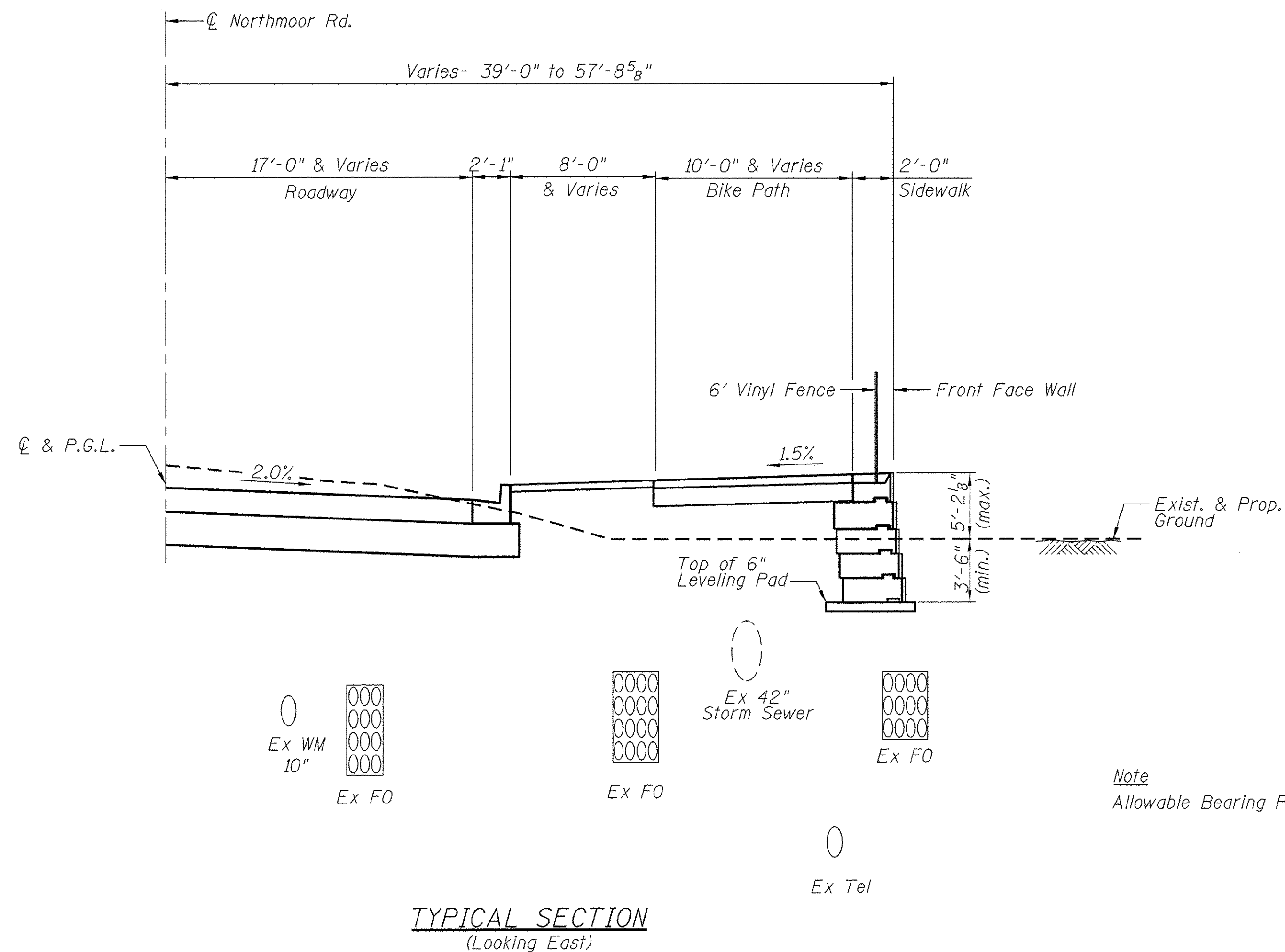
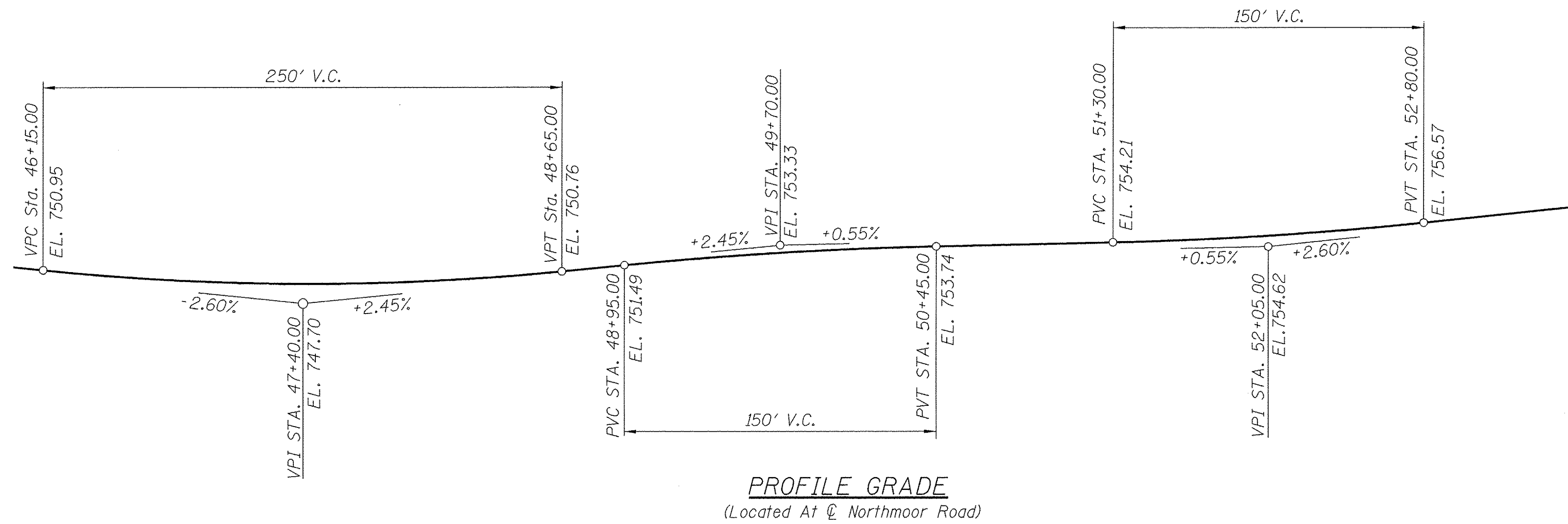
- SC-1. General Plan and Elevation 1
- SC-2. General Plan and Elevation 2
- SC-3. General Data
- SC-4. Boring Logs 1
- SC-5. Boring Logs 2
- SC-6. Boring Logs 3

DESIGN SPECIFICATIONS

2012 AASHTO LRFD Bridge Design Specifications 6th Edition with 2016 Interims

TOTAL BILL OF MATERIAL

ITEM	UNIT	QUANTITY
Structure Excavation	Cu. Yd.	206
Precast Modular Retaining Wall	Sq. Ft.	2216
Vinyl Fence 6'	Foot	302



Note
Allowable Bearing Pressure = 4.0 k.s.f.

FILE NAME = P:\2015\0535 Peoria Northmoor Road Retaining Wall Project\Hanson\Project Files\Milhouse Drg's\Dgn 28T\SC-3_GenData.dgn



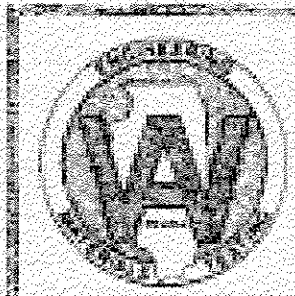
USER NAME = tsledge	DESIGNED - LAS	REVISED -
PLOT SCALE = 50.0000' / in.	CHECKED - DAZ	REVISED -
PLOT DATE = 3/9/2017	DRAWN - TCS	REVISED -
	CHECKED - LAS	REVISED -

**STATE OF ILLINOIS
DEPARTMENT OF TRANSPORTATION**

GENERAL DATA
WALL C STA. 48+48.03 to STA. 51+43.72

F.A.U. RTE. 6647	SECTION 05-00302-00-PV	COUNTY PEORIA	TOTAL SHEETS 385	SHEET NO. 254
CONTRACT NO. 89386				[ILLINOIS] FED. AID PROJECT M-5093 (136)

BORING NO. B-16
 DATE 08-20-08
 W & A. FILE NO. 4711
 SHEET 16 OF 39



WHITNEY & ASSOCIATES
 INCORPORATED
 2406 West Nebraska Avenue
 PEORIA, ILLINOIS 61604

BORING LOG

PROJECT NORTHMOOR ROAD IMPROVEMENT LOCATION Peoria, Illinois
 BORING LOCATION Station 48+52.34' Right of Centerline DRILLED BY Fehl
 BORING TYPE Hollow Stem Auger WEATHER CONDITIONS Partly Cloudy & Mild
 SOIL CLASSIFICATION SYSTEM U.S.B.S.C. SEEPAGE WATER ENCOUNTERED AT ELEVATION None
 GROUND SURFACE ELEVATION 747.7 GROUND WATER ELEVATION AT HRS.
 BORING DISCONTINUED AT ELEVATION 726.7 GROUND WATER ELEVATION AT COMPLETION None

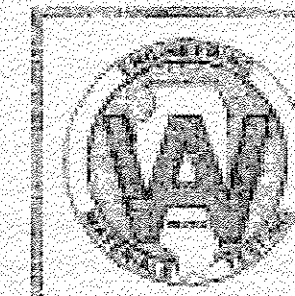
DESCRIPTION	DEPTH IN FEET	SAMPLE TYPE	N	Q _p	Q _u	D _d	M _c
Brown SILTY CLAY LOAM Organic Topsoil Stiff, Brown And Orange-Brown SILTY CLAY	7'						
		SS	9	1.5	1.3	94	26
Medium, Orange-Brown And Gray SILTY CLAY LOAM	4						
		SS	6	1.0	0.9	96	24
Medium, Orange-Brown And Gray SILTY CLAY	8						
		SS	5	0.8	0.7	93	27
Stiff, Brown And Gray, Weathered GLACIAL SILTY CLAY TILL							
		SS	9	1.5	1.2	116	17
Very Stiff, Brown And Gray, Weathered GLACIAL SILTY CLAY TILL	12						
		SS	12	2.4	2.1	119	15
Very Stiff, Gray, Unweathered GLACIAL SILTY CLAY TILL	16						
		SS	18	3.1	3.0	120	14
EXPLORATORY BORING DISCONTINUED	20						
		SS	15	2.5	2.3	119	15
EXPLORATORY BORING DISCONTINUED	24						

N - BLOWS DELIVERED PER FOOT BY A 140 LB. HAMMER FALLING 30 INCHES
 SS - SPLIT SPOON SAMPLE
 ST - SHELBY TUBE SAMPLE

Q_p - CALIBRATED PENETROMETER READING - T.S.F.
 Q_u - UNCONFINED COMPRESSIVE STRENGTH - T.S.F.
 D_d - NATURAL DRY DENSITY - P.C.F.
 M_c - NATURAL MOISTURE CONTENT - %

WHITNEY & ASSOCIATES
 PEORIA, ILLINOIS

BORING NO. B-17
 DATE 08-20-08
 W & A. FILE NO. 4711
 SHEET 17 OF 39



WHITNEY & ASSOCIATES
 INCORPORATED
 2406 West Nebraska Avenue
 PEORIA, ILLINOIS 61604

BORING LOG

PROJECT NORTHMOOR ROAD IMPROVEMENT LOCATION Peoria, Illinois
 BORING LOCATION Station 49+26.28' Right of Centerline DRILLED BY Fehl
 BORING TYPE Hollow Stem Auger WEATHER CONDITIONS Partly Cloudy & Mild
 SOIL CLASSIFICATION SYSTEM U.S.B.S.C. SEEPAGE WATER ENCOUNTERED AT ELEVATION None
 GROUND SURFACE ELEVATION 748.7 GROUND WATER ELEVATION AT HRS.
 BORING DISCONTINUED AT ELEVATION 727.7 GROUND WATER ELEVATION AT COMPLETION None

DESCRIPTION	DEPTH IN FEET	SAMPLE TYPE	N	Q _p	Q _u	D _d	M _c
Brown SILTY CLAY LOAM Organic Topsoil Stiff, Orange-Brown and Gray SILTY CLAY LOAM	7'						
		SS	5	1.3	1.2	97	24
Medium, Orange-Brown And Gray SILTY CLAY	4						
		SS	5	0.9	0.8	94	26
Stiff, Brown And Gray, Weathered GLACIAL SILTY CLAY TILL	8						
		SS	9	1.3	1.1	117	16
		SS	10	1.6	1.3	118	15
Very Stiff, Brown And Gray, Weathered GLACIAL SILTY CLAY TILL	12						
		SS	12	2.8	2.7	121	13
Very Stiff, Gray, Unweathered GLACIAL SILTY CLAY TILL	16						
		SS	16	3.5	3.2	122	12
EXPLORATORY BORING DISCONTINUED	20						
		SS	14	3.0	2.9	122	13
EXPLORATORY BORING DISCONTINUED	24						

N - BLOWS DELIVERED PER FOOT BY A 140 LB. HAMMER FALLING 30 INCHES
 SS - SPLIT SPOON SAMPLE
 ST - SHELBY TUBE SAMPLE

Q_p - CALIBRATED PENETROMETER READING - T.S.F.
 Q_u - UNCONFINED COMPRESSIVE STRENGTH - T.S.F.
 D_d - NATURAL DRY DENSITY - P.C.F.
 M_c - NATURAL MOISTURE CONTENT - %

WHITNEY & ASSOCIATES
 PEORIA, ILLINOIS

FILE NAME = P:\2015\0595 Peoria Northmoor Road Retaining Wall Project - Hanson\Project Files\Milhouse Dwg's\Dgn 281\SC-4-Boring Log.dgn



USER NAME = tsledge
 PLOT SCALE = 50,0000' / in.
 PLOT DATE = 3/9/2017

DESIGNED - LAS
 CHECKED - DAZ
 DRAWN - TCS
 CHECKED - LAS

REVISED -
 REVISED -
 REVISED -
 REVISED -

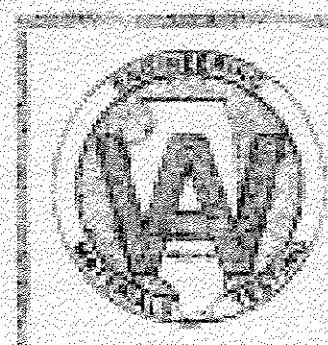
STATE OF ILLINOIS
 DEPARTMENT OF TRANSPORTATION

BORING LOGS 1
 WALL C STA. 48+48.03 to STA. 51+43.72

SHEET NO. SC-4 OF SC-6 SHEETS

F.A.U. RTE.	SECTION	COUNTY	TOTAL SHEETS	SHEET NO.
6647	05-00302-00-PV	PEORIA	385	255
CONTRACT NO. 89386				
[ILLINOIS] FED. AID PROJECT M-5093 (136)				

BORING NO. B-18
DATE 08-20-08
W. & A. FILE NO. 4711
SHEET 18 OF 39



WHITNEY & ASSOCIATES
 INCORPORATED
 2406 West Nebraska Avenue
 PEORIA, ILLINOIS 61604

BORING LOG

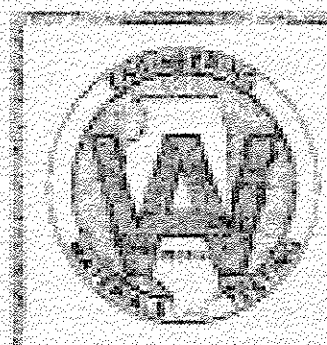
PROJECT NORTHMOOR ROAD IMPROVEMENT **LOCATION** Peoria, Illinois
BORING LOCATION Station 49+87, 32' Right of Centerline **DRILLED BY** Fehl
BORING TYPE Hollow Stem Auger **WEATHER CONDITIONS** Partly Cloudy & Mild
SOIL CLASSIFICATION SYSTEM U.S.B.S.C. **SEEPAGE WATER ENCOUNTERED AT ELEVATION** None
GROUND SURFACE ELEVATION 749.4 **GROUND WATER ELEVATION AT** - HRS -
BORING DISCONTINUED AT ELEVATION 728.4 **GROUND WATER ELEVATION AT COMPLETION** None

DESCRIPTION	DEPTH IN FEET	SAMPLE TYPE	N	Qp	Qu	Dd	Mc
Dark Brown SILTY CLAY Organic Topsoil	10'						
Very Stiff, Brown SANDY CLAY With Some Fine-Grained Gravel (Possible Fill)		SS	16	3.6	3.2	105	15
	4'						
Stiff, Brown And Dark Gray SILTY CLAY		SS	8	1.8	1.7	96	24
Loose, Brown, Medium-Grained SAND With Some Fine-Grained Gravel	8'	SS	8	-	-	-	8
Very Stiff, Brown, Weathered GLACIAL SILTY CLAY TILL		SS	9	3.4	3.3	118	14
Very Stiff, Gray, Unweathered GLACIAL SILTY CLAY TILL	12'						
		SS	12	2.6	2.4	117	15
	16'						
		SS	10	2.5	2.2	117	15
	20'						
		SS	11	2.2	2.1	118	14
EXPLORATORY BORING DISCONTINUED							
	24'						

N - BLOWS DELIVERED PER FOOT BY A 140 LB. HAMMER FALLING 30 INCHES
 SS - SPLIT SPOON SAMPLE
 ST - SHELBY TUBE SAMPLE
 Qp - CALIBRATED PENETROMETER READING - T.S.F.
 Qu - UNCONFINED COMPRESSIVE STRENGTH - T.S.F.
 Dd - NATURAL DRY DENSITY - P.C.F.
 Mc - NATURAL MOISTURE CONTENT - %

WHITNEY & ASSOCIATES
 PEORIA, ILLINOIS

BORING NO. B-19
DATE 08-20-08
W. & A. FILE NO. 4711
SHEET 19 OF 39



WHITNEY & ASSOCIATES
 INCORPORATED
 2406 West Nebraska Avenue
 PEORIA, ILLINOIS 61604

BORING LOG

PROJECT NORTHMOOR ROAD IMPROVEMENT **LOCATION** Peoria, Illinois
BORING LOCATION Station 50+61, 31' Right of Centerline **DRILLED BY** Fehl
BORING TYPE Hollow Stem Auger **WEATHER CONDITIONS** Partly Cloudy & Mild
SOIL CLASSIFICATION SYSTEM U.S.B.S.C. **SEEPAGE WATER ENCOUNTERED AT ELEVATION** (-) 7.0 Ft.
GROUND SURFACE ELEVATION 749.8 **GROUND WATER ELEVATION AT** - HRS -
BORING DISCONTINUED AT ELEVATION 728.8 **GROUND WATER ELEVATION AT COMPLETION** (-) 10.2 Ft.

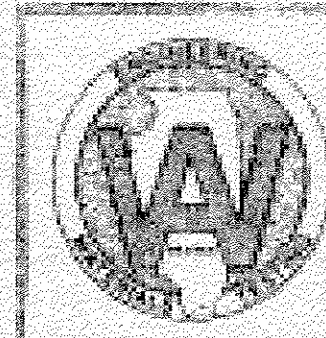
DESCRIPTION	DEPTH IN FEET	SAMPLE TYPE	N	Qp	Qu	Dd	Mc
Dark Brown SILTY CLAY Organic Topsoil	10'						
Hard, Brown And Gray SILTY CLAY		SS	15	4.5+	4.2	105	15
	4'						
Stiff, Brown And Gray SILTY CLAY		SS	12	2.0	1.7	96	24
Medium-Density, Brown, Fine- To Medium-Grained SAND With Some Fine-Grained Gravel	8'	SS	10	-	-	-	14
Very Stiff, Brown And Gray, Weathered GLACIAL SILTY CLAY TILL		SS	12	3.0	2.8	118	14
Very Stiff, Gray, Unweathered GLACIAL SILTY CLAY TILL	12'						
		SS	15	3.8	3.5	121	13
	16'						
		SS	12	2.5	2.2	120	14
	20'						
		SS	14	3.3	3.1	122	13
EXPLORATORY BORING DISCONTINUED							
	24'						

N - BLOWS DELIVERED PER FOOT BY A 140 LB. HAMMER FALLING 30 INCHES
 SS - SPLIT SPOON SAMPLE
 ST - SHELBY TUBE SAMPLE
 Qp - CALIBRATED PENETROMETER READING - T.S.F.
 Qu - UNCONFINED COMPRESSIVE STRENGTH - T.S.F.
 Dd - NATURAL DRY DENSITY - P.C.F.
 Mc - NATURAL MOISTURE CONTENT - %

WHITNEY & ASSOCIATES
 PEORIA, ILLINOIS

FILE NAME = P:\2015\0595 Peoria Northmoor Road Retaining Wall Project - Hanson\Project Files\Withhouse Dr\g\5\Dgn 2R1\SC-5-Boring_Logs2.dgn

	USER NAME = tsledge	DESIGNED - LAS	REVISED -	STATE OF ILLINOIS DEPARTMENT OF TRANSPORTATION	BORING LOGS 2 WALL C STA. 48+48.03 to STA. 51+43.72	F.A.U. RTE. 6647	SECTION 05-00302-00-PV	COUNTY PEORIA	TOTAL SHEETS 385	SHEET NO. 256
	PLOT SCALE = 50,0000' / 1" =	DRAWN - TCS	REVISED -			CONTRACT NO. 89386				
	PLOT DATE = 3/9/2017	CHECKED - LAS	REVISED -			ILLINOIS FED. AID PROJECT M-5093 (136)				



WHITNEY & ASSOCIATES
INCORPORATED
2406 West Nebraska Avenue
PEORIA, ILLINOIS 61604

BORING LOG

BORING NO. B-20
DATE 08-20-08
W. & A. FILE NO. 4711
SHEET 20 OF 39

PROJECT NORTHMOOR ROAD IMPROVEMENT **LOCATION** Peoria, Illinois
BORING LOCATION Station 51+35, 32' Right of Centerline **DRILLED BY** Fehl
BORING TYPE Hollow Stem Auger **WEATHER CONDITIONS** Partly Cloudy & Mild
SOIL CLASSIFICATION SYSTEM U.S.B.S.C. **SEEPAGE WATER ENCOUNTERED AT ELEVATION** None
GROUND SURFACE ELEVATION 751.9 **GROUND WATER ELEVATION AT** HRS
BORING DISCONTINUED AT ELEVATION 730.9 **GROUND WATER ELEVATION AT COMPLETION** None

DESCRIPTION	DEPTH IN FEET	SAMPLE TYPE	N	Q _p	Q _u	D _d	M _c
Dark Brown SILTY CLAY Organic Topsoil Soft, Brown And Gray SILTY CLAY	11'						
		SS	4	0.5	0.4	92	27
Very Stiff, Brown And Gray SILTY CLAY	4						
		SS	12	2.4	2.1	98	23
Medium-Density, Brown, Medium- To Coarse-Grained SAND With Some Fine-Grained Gravel	8						
		SS	10	-	-	-	13
Stiff, Brown And Gray, Weathered GLACIAL SILTY CLAY TILL							
		SS	8	2.0	1.8	116	16
Very Stiff, Gray, Unweathered GLACIAL SILTY CLAY TILL	12						
		SS	14	3.3	2.9	119	14
	16						
		SS	12	2.2	2.0	118	15
	20						
		SS	13	2.4	2.1	120	15
EXPLORATORY BORING DISCONTINUED							
	24						

N - BLOWS DELIVERED PER FOOT BY A 140 LB. HAMMER FALLING 30 INCHES
SS - SPLIT SPOON SAMPLE
ST - SHELBY TUBE SAMPLE
Q_p - CALIBRATED PENETROMETER READING - T.S.F.
Q_u - UNCONFINED COMPRESSIVE STRENGTH - T.S.F.
D_d - NATURAL DRY DENSITY - P.C.F.
M_c - NATURAL MOISTURE CONTENT - %

WHITNEY & ASSOCIATES
PEORIA, ILLINOIS

FILE NAME = F:\2015\05\05\05 Peoria Northmoor Road Retaining Wall Project - Hanson\Project Files\Milhouse Dr\g\3.dgn 281\SC-6.Boring_Logs3.dgn



USER NAME = tsledge	DESIGNED - LAS	REVISED -
	CHECKED - DAZ	REVISED -
PLOT SCALE = 50.0000' / in.	DRAWN - TCS	REVISED -
PLOT DATE = 3/9/2017	CHECKED - LAS	REVISED -

STATE OF ILLINOIS
DEPARTMENT OF TRANSPORTATION

BORING LOGS 3
WALL C STA. 48+48.03 to STA. 51+43.72

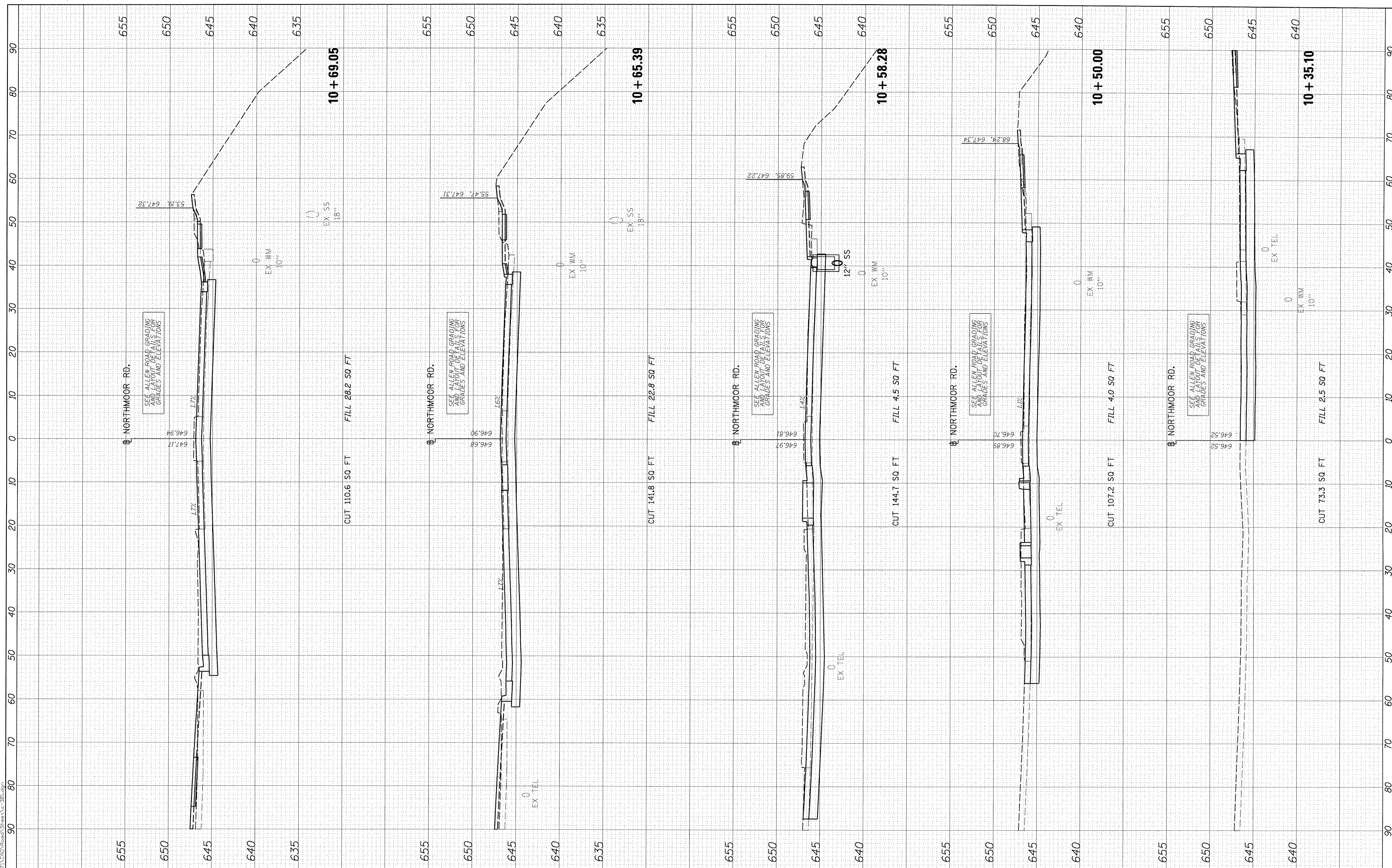
F.A.U. RTE.	SECTION	COUNTY	TOTAL SHEETS	SHEET NO.
6647	05-00302-00-PV	PEORIA	385	257
CONTRACT NO. 89386				
ILLINOIS FED. AID PROJECT M-5093 (136)				

FINAL SURVEY	SURVEYED	BY	DATE
NOTE BOOK	PLOTTED		
NO.	TEMPLATE		
	AREAS CHECKED		



ORIGINAL SURVEY	SURVEYED	BY	DATE
NOTE BOOK	PLOTTED		
NO.	TEMPLATE		
	AREAS CHECKED		

LAYOUT	DLC	3/10/17
DRAWN	DLC	3/10/17
REVIEWED	MGD	3/14/17



FILE NAME = I:\13\jobs\1318\071\CAD\Road\Sheet\c-301.dwg
 USER NAME = cor-r01216
 PLOT SCALE = 10,0000 ' / in.
 PLOT DATE = 3/22/2017

DESIGNED -	DLC
DRAWN -	DLC
CHECKED -	MGD
DATE -	03/22/17

REVISED -	
REVISED -	
REVISED -	
REVISED -	

**STATE OF ILLINOIS
DEPARTMENT OF TRANSPORTATION**

**NORTHMOOR ROAD
CROSS SECTIONS**

SCALE: 1"=5V:1"=10H SHEET OF SHEETS STA. 10+35.10 TO STA. 10+69.05

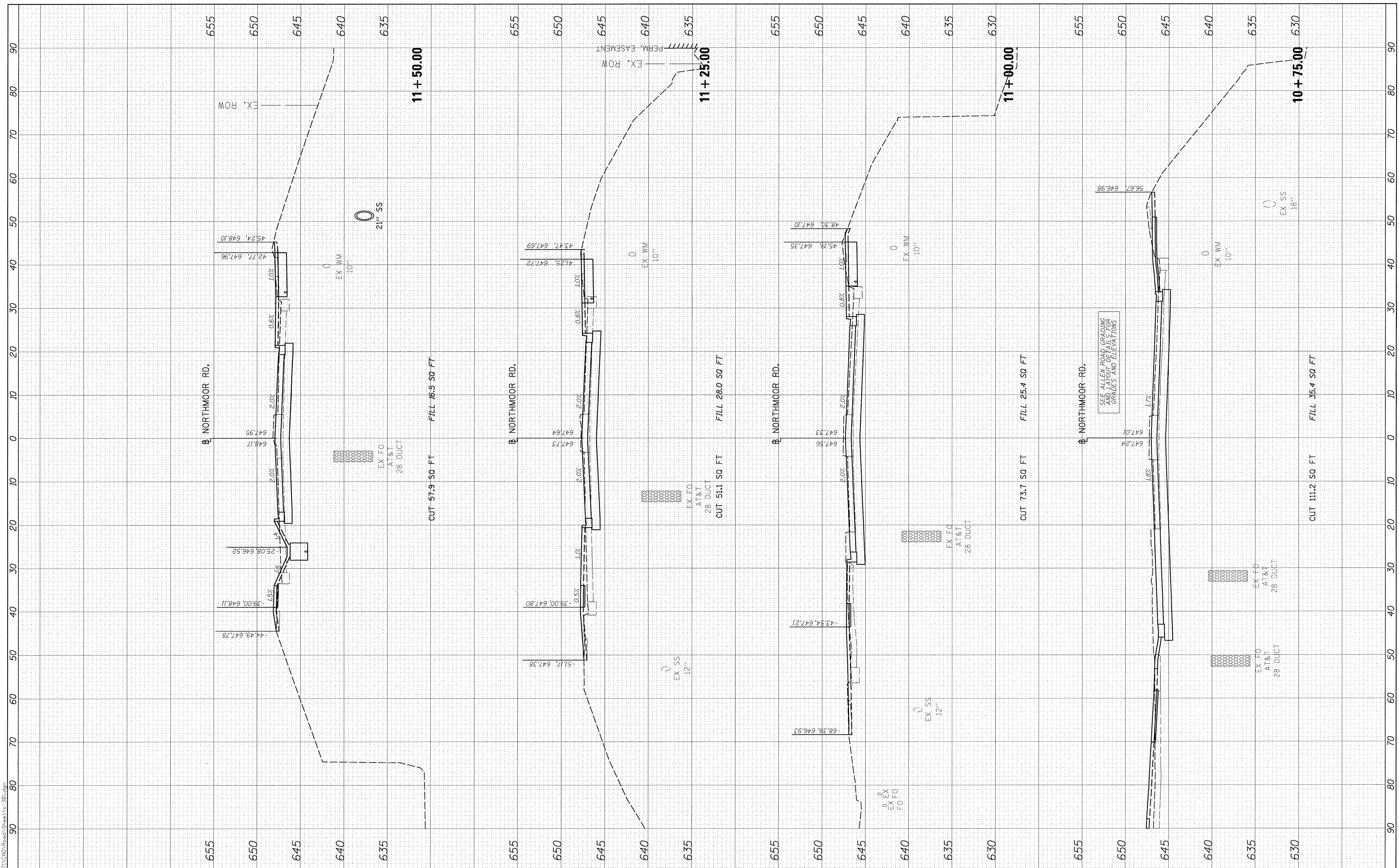
F.A.U. RTE.	SECTION	COUNTY	TOTAL SHEETS	SHEET NO.
6647	05-00302-00-PV	PEORIA	385	258
CONTRACT NO.89386				
ILLINOIS FED. AID PROJECT			M-5093(136)	

FINAL SURVEY	SURVEYED	BY	DATE
NOTE BOOK	PLOTTED		
AREAS CHECKED	TEMPLATE		
NO.	AREAS		
	CHECKED		



ORIGINAL SURVEY	SURVEYED	BY	DATE
NOTE BOOK	PLOTTED		
AREAS CHECKED	TEMPLATE		
NO.	AREAS		
	CHECKED		

LAYOUT	DLC	3/10/17
DRAWN	DLC	3/10/17
REVIEWED	MCD	3/14/17



FILE NAME = I:\13\jobs\13L0171\CAD\Road\Sheet\c-301.dgn
 USER NAME = car-01216
 PLOT SCALE = 10.0000' / 1" / in.
 PLOT DATE = 3/22/2017

DESIGNED -	DLC
DRAWN -	DLC
CHECKED -	MCD
DATE -	03/22/17

REVISED -	
REVISED -	
REVISED -	
REVISED -	

**STATE OF ILLINOIS
DEPARTMENT OF TRANSPORTATION**

**NORTHMOOR ROAD
CROSS SECTIONS**

SCALE: 1"=5V:1"=10H SHEET OF SHEETS STA. 10+75.00 TO STA. 11+50.00

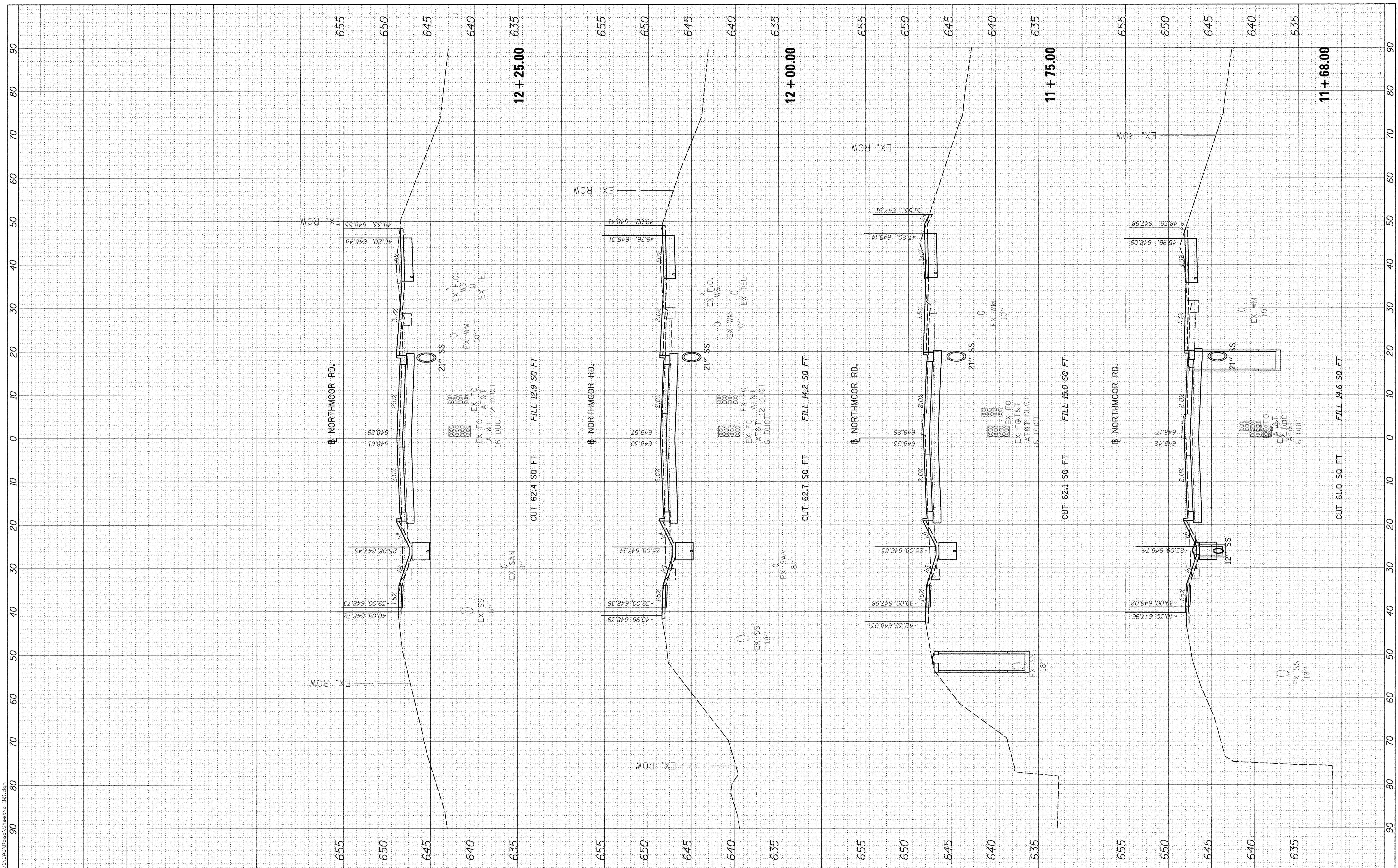
F.A.U. RTE.	SECTION	COUNTY	TOTAL SHEETS	SHEET NO.
6647	05-00302-00-PV	PEORIA	385	259
CONTRACT NO.89386			ILLINOIS FED. AID PROJECT M-5093(136)	

FINAL SURVEY	BY	DATE
NOTED SURVEY		
PLOTTED		
TEMPLATE		
AREAS		
CHECKED		
NO.		



ORIGINAL SURVEY	BY	DATE
NOTED SURVEY		
PLOTTED		
TEMPLATE		
AREAS		
CHECKED		
NO.		

LAYOUT	DLC	3/10/17
DRAWN	DLC	3/10/17
REVIEWED	MGD	3/14/17



FILE NAME = I:\13\jobs\13L0171\CAD\Road\Sheet\c-381.dgn
 USER NAME = carr-01216
 PLOT SCALE = 10.00000' / 1"
 PLOT DATE = 3/22/2017

DESIGNED -	DLC
DRAWN -	DLC
CHECKED -	MGD
DATE -	03/22/17

REVISED -	
REVISED -	
REVISED -	
REVISED -	

**STATE OF ILLINOIS
DEPARTMENT OF TRANSPORTATION**

**NORTHMOOR ROAD
CROSS SECTIONS**

SCALE: 1"=5V:1"=10H SHEET OF SHEETS STA. 11+68.00 TO STA. 12+25.00

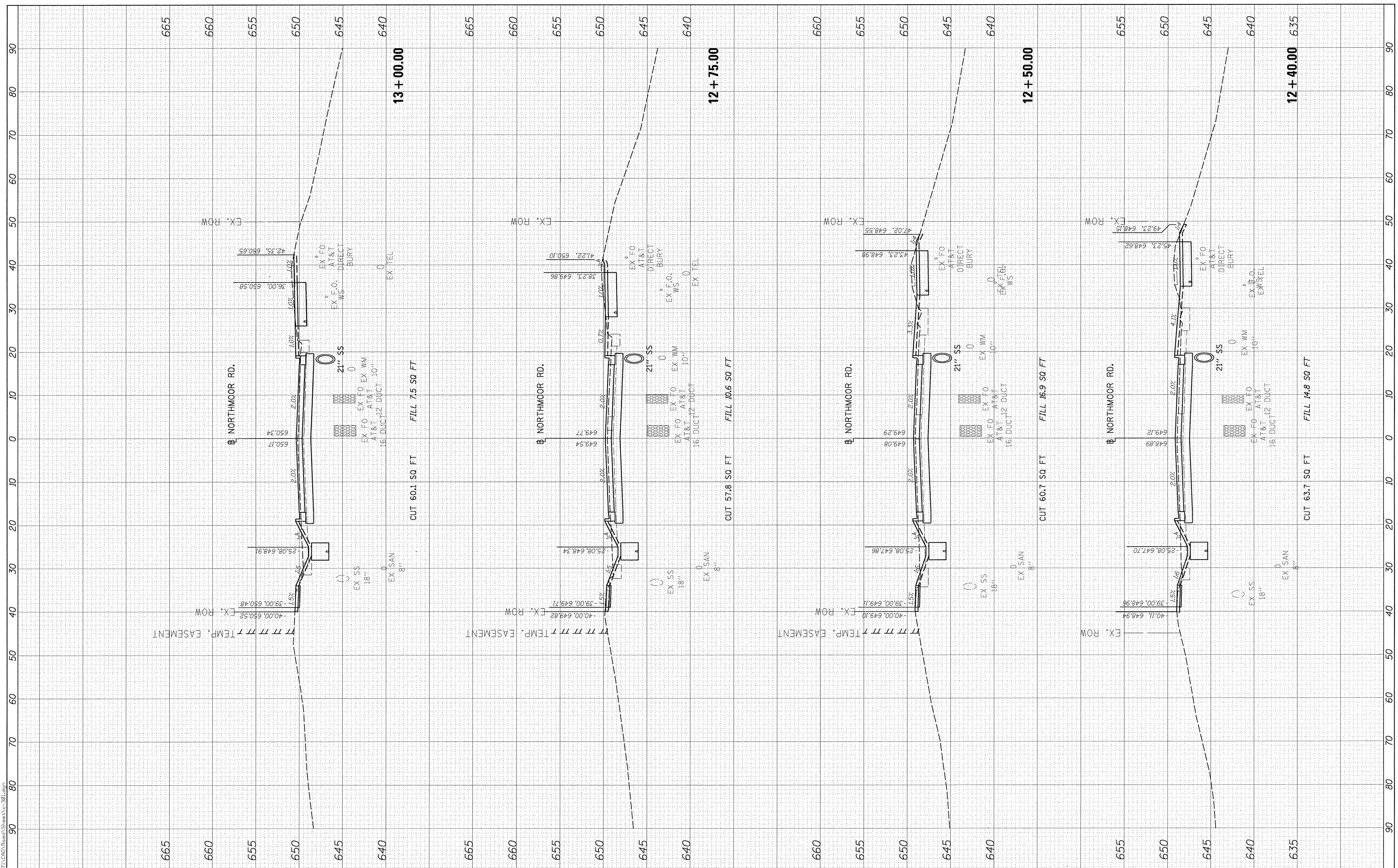
F.A.U. RTE.	SECTION	COUNTY	TOTAL SHEETS	SHEET NO.
6647	05-00302-00-PV	PEORIA	385	260
CONTRACT NO.89386			ILLINOIS FED. AID PROJECT M-5093(136)	

FINAL SURVEY	SURVEYED	BY	DATE
NOTE BOOK	PLOTTED		
AREAS CHECKED	TEMPLATE		
	AREAS CHECKED		



ORIGINAL SURVEY	SURVEYED	BY	DATE
NOTE BOOK	PLOTTED		
AREAS CHECKED	TEMPLATE		
	AREAS CHECKED		

LAYOUT	DLC	3/10/17
DRAWN	DLC	3/10/17
REVIEWED	MGD	3/14/17



FILE NAME = I:\13jobs\131071\CAD\Road\Sheet\c-301.dgn
 USER NAME = car-01216
 PLOT SCALE = 10.0000' / 1"
 PLOT DATE = 3/22/2017

DESIGNED	-	DLC
DRAWN	-	DLC
CHECKED	-	MGD
DATE	-	03/22/17

REVISED	-
REVISED	-
REVISED	-
REVISED	-

**STATE OF ILLINOIS
DEPARTMENT OF TRANSPORTATION**

**NORTHMOOR ROAD
CROSS SECTIONS**

SCALE: 1"=5' V: 1"=10' H
 SHEET OF SHEETS
 STA. 12+40.00 TO STA. 13+00.00

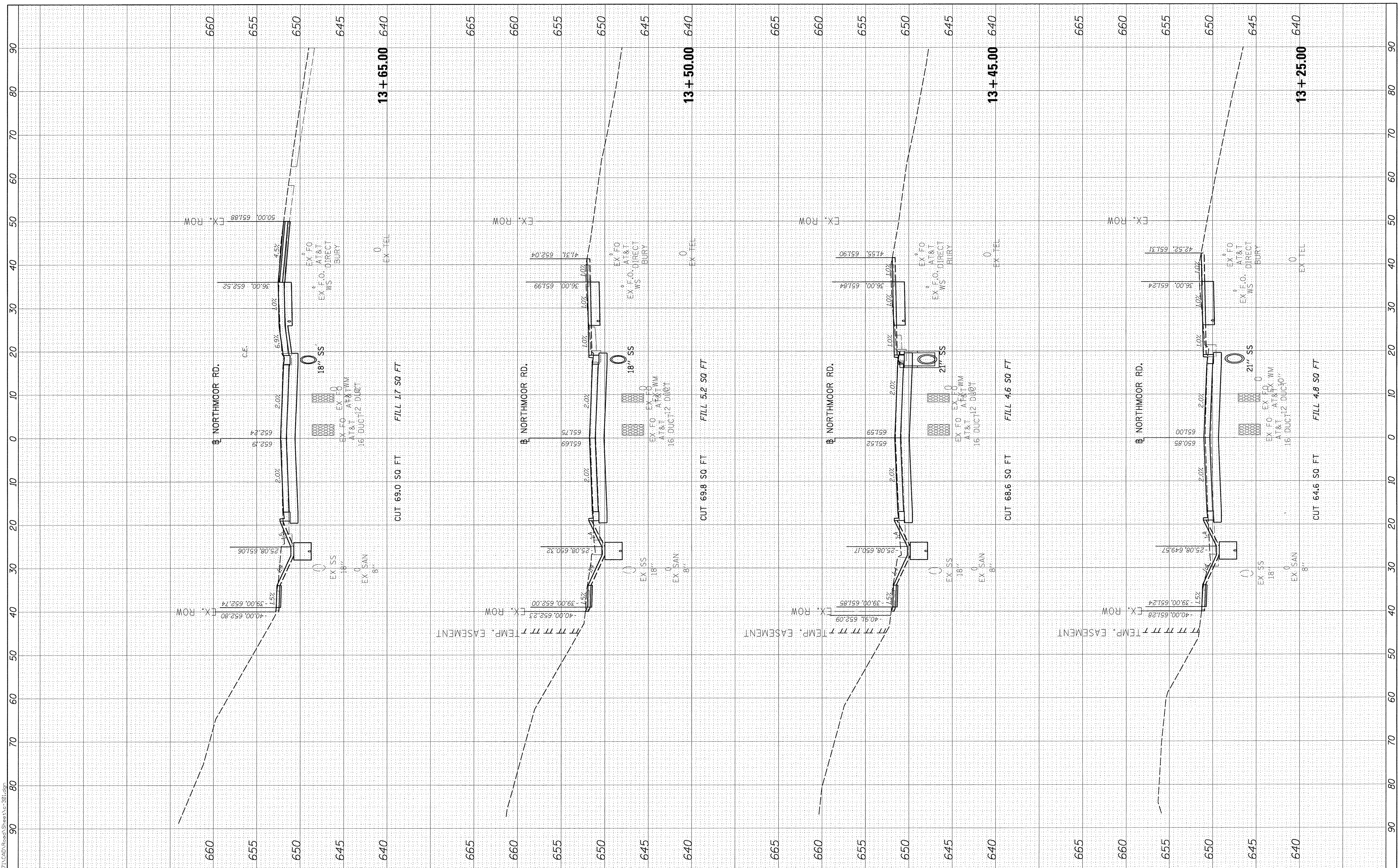
F.A.U. RTE.	SECTION	COUNTY	TOTAL SHEETS	SHEET NO.
6647	05-00302-00-PV	PEORIA	385	261
CONTRACT NO. 89386			ILLINOIS FED. AID PROJECT M-5093(136)	

FINAL SURVEY	SURVEYED	BY	DATE
NOTE BOOK	PLOTTED		
NO.	TEMPLATE		
	AREAS CHECKED		



ORIGINAL SURVEY	SURVEYED	BY	DATE
NOTE BOOK	PLOTTED		
NO.	TEMPLATE		
	AREAS CHECKED		

LAYOUT	DLC	3/10/17
DRAWN	DLC	3/10/17
REVIEWED	MCD	3/14/17



FILE NAME = I:\13jobs\13L0171\CAD\Road\Sheet\c-301.dgn
 USER NAME = car-01216
 PLOT SCALE = 10.0000' / in.
 PLOT DATE = 3/22/2017

DESIGNED	-	DLC
DRAWN	-	DLC
CHECKED	-	MCD
DATE	-	03/22/17

REVISED	-
REVISED	-
REVISED	-
REVISED	-

**STATE OF ILLINOIS
DEPARTMENT OF TRANSPORTATION**

**NORTHMOOR ROAD
CROSS SECTIONS**

SCALE: 1"=5V:1"=10H SHEET OF SHEETS STA. 13+25.00 TO STA. 13+65.00

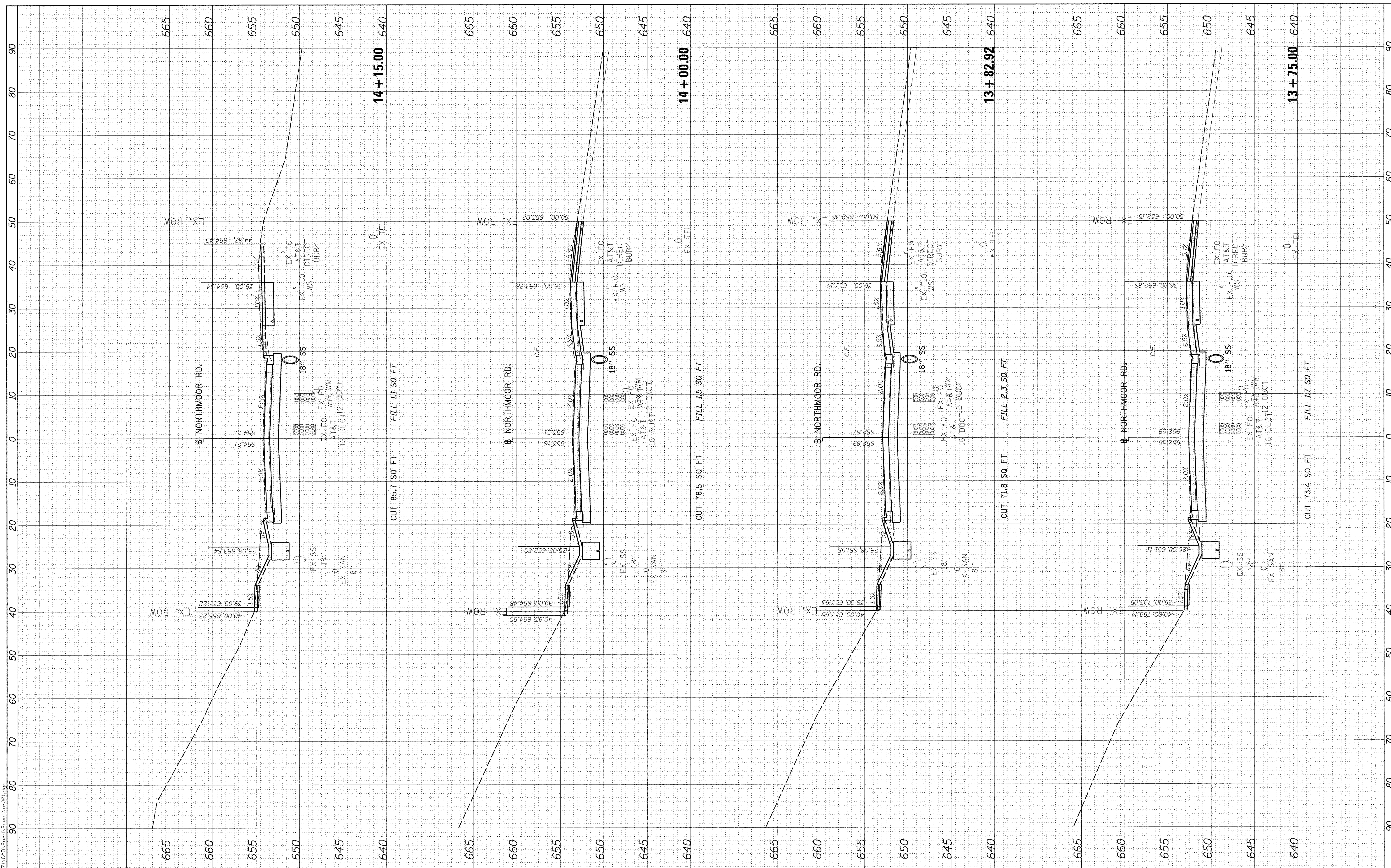
F.A.U. RTE.	SECTION	COUNTY	TOTAL SHEETS	SHEET NO.
6647	05-00302-00-PV	PEORIA	385	262
ILLINOIS FED. AID PROJECT			CONTRACT NO. 89386	
			M-509311361	

FINAL SURVEY	SURVEYED	BY	DATE
NOTE BOOK	PLOTTED		
AREAS CHECKED	TEMPLATE		
NO.	AREAS CHECKED		



ORIGINAL SURVEY	SURVEYED	BY	DATE
NOTE BOOK	PLOTTED		
AREAS CHECKED	TEMPLATE		
NO.	AREAS CHECKED		

LAYOUT	DLC	3/10/17
DRAWN	DLC	3/10/17
REVIEWED	MGD	3/14/17



FILE NAME = I:\13\jobs\13L017\13CAD\Road\Sheet\c-301.dgn
 USER NAME = carr02126
 PLOT SCALE = 10.0000' / 1" / 1" / 1"
 PLOT DATE = 3/22/2017

DESIGNED	-	DLC
DRAWN	-	DLC
CHECKED	-	MGD
DATE	-	03/22/17

REVISED	-
REVISED	-
REVISED	-
REVISED	-

**STATE OF ILLINOIS
DEPARTMENT OF TRANSPORTATION**

**NORTHMOOR ROAD
CROSS SECTIONS**

SCALE: 1"=5V:1"=10H SHEET OF SHEETS STA. 13+75.00 TO STA. 14+15.00

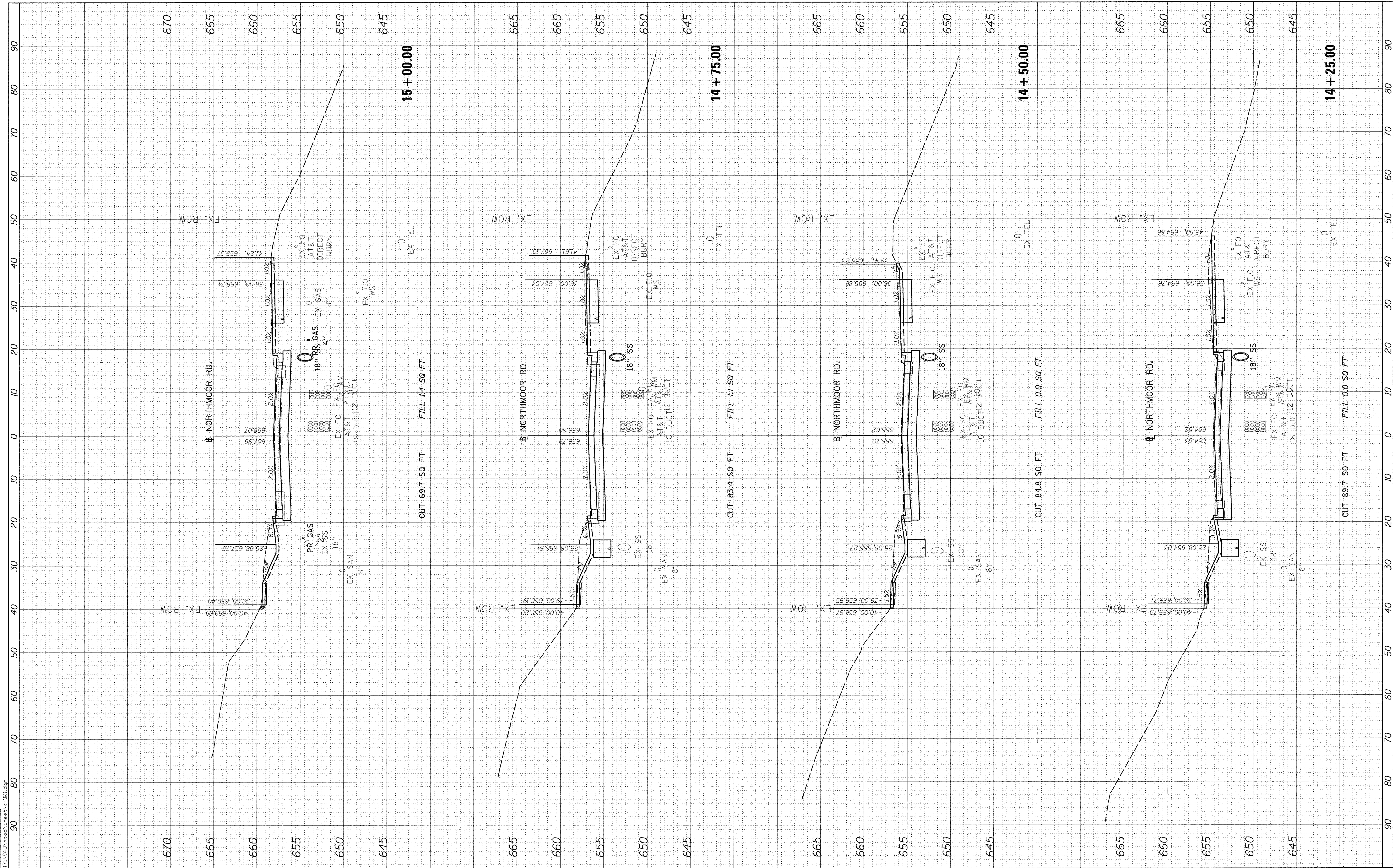
F.A.U. RTE.	SECTION	COUNTY	TOTAL SHEETS	SHEET NO.
6647	05-00302-00-PV	PEORIA	385	263
CONTRACT NO. 89386			ILLINOIS FED. AID PROJECT M-50931(36)	

FINAL SURVEY	SURVEYED	BY	DATE
NOTE BOOK	FIELD		
NO.	AREAS		
	CHECKED		



ORIGINAL SURVEY	SURVEYED	BY	DATE
NOTE BOOK	FIELD		
NO.	AREAS		
	CHECKED		

LAYOUT	DLC	3/10/17
DRAWN	DLC	3/10/17
REVIEWED	MGD	3/14/17



FILE NAME = I:\13\jobs\13L0171\CAD\Road\Sheet\c-301.dgn
 USER NAME = cpr01216
 PLOT SCALE = 10.0000' / 1" = 100
 PLOT DATE = 3/22/2017

DESIGNED -	DLC
DRAWN -	DLC
CHECKED -	MGD
DATE -	03/22/17

REVISED -	-
REVISED -	-
REVISED -	-
REVISED -	-

**STATE OF ILLINOIS
DEPARTMENT OF TRANSPORTATION**

**NORTHMOOR ROAD
CROSS SECTIONS**

SCALE: 1:5V:1:10H SHEET OF SHEETS STA. 14+25.00 TO STA. 15+00.00

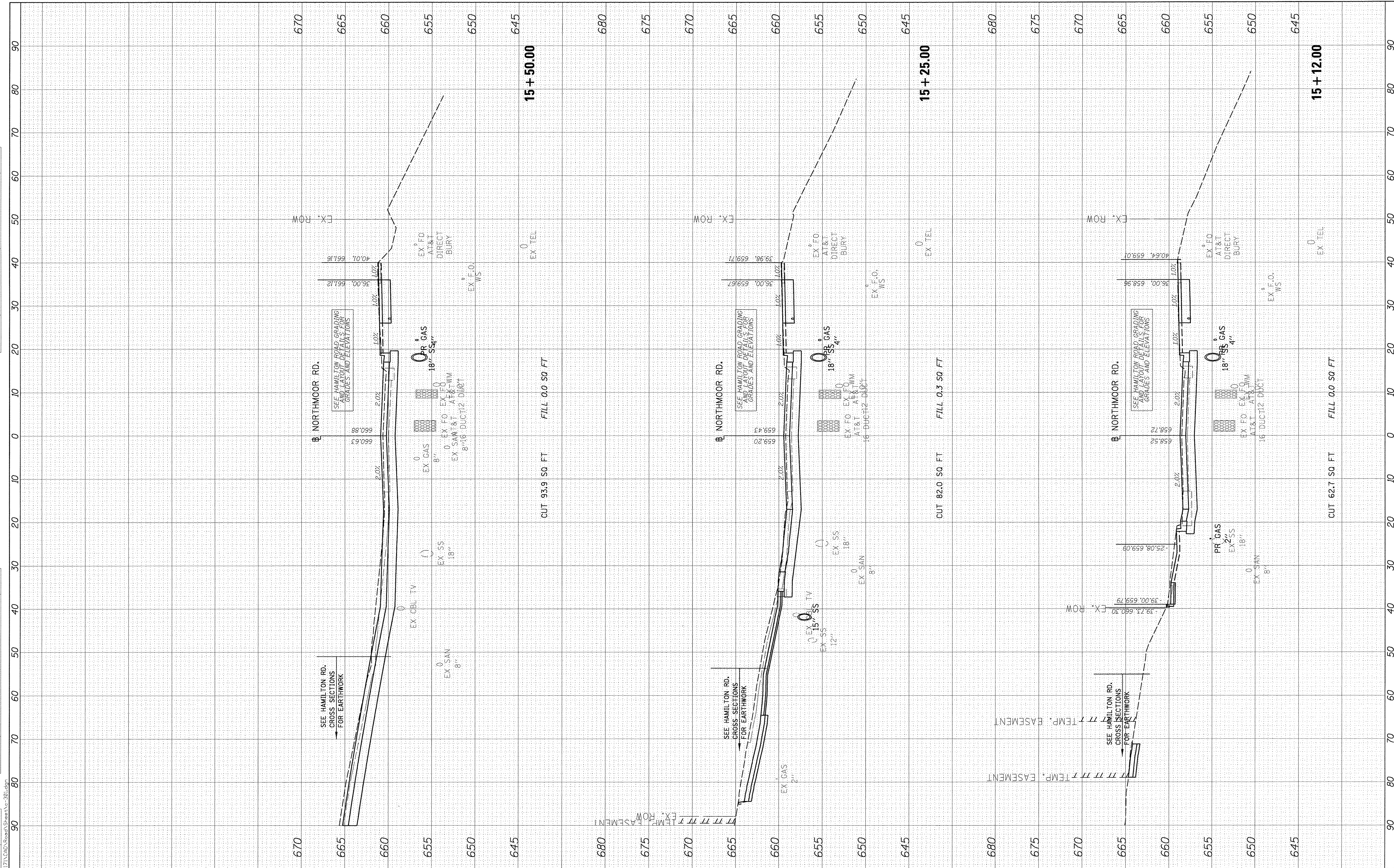
F.A.U. RTE.	SECTION	COUNTY	TOTAL SHEETS	SHEET NO.
6647	05-00302-00-PV	PEORIA	385	264
CONTRACT NO.89386			ILLINOIS FED. AID PROJECT M-5093(136)	

FINAL SURVEY	BY	DATE
SURVEYED		
PLOTTED		
NOTE BOOK		
AREAS CHECKED		
NO.		



ORIGINAL SURVEY	BY	DATE
SURVEYED		
PLOTTED		
NOTE BOOK		
AREAS CHECKED		
NO.		

LAYOUT	DLC	3/10/17
DRAWN	DLC	3/10/17
REVIEWED	MGD	3/14/17



FILE NAME = I:\13\jobs\13L0171\CAD\Road\Sheet\c-301.dgn

USER NAME = carr01216
 PLOT SCALE = 10.0000' / 1"
 PLOT DATE = 3/22/2017

DESIGNED - DLC
 DRAWN - DLC
 CHECKED - MGD
 DATE - 03/22/17

REVISED -
 REVISED -
 REVISED -
 REVISED -

**STATE OF ILLINOIS
 DEPARTMENT OF TRANSPORTATION**

**NORTHMOOR ROAD
 CROSS SECTIONS**

SCALE: 1"=5V:1"=10H SHEET OF SHEETS STA. 15+12.00 TO STA. 15+50.00

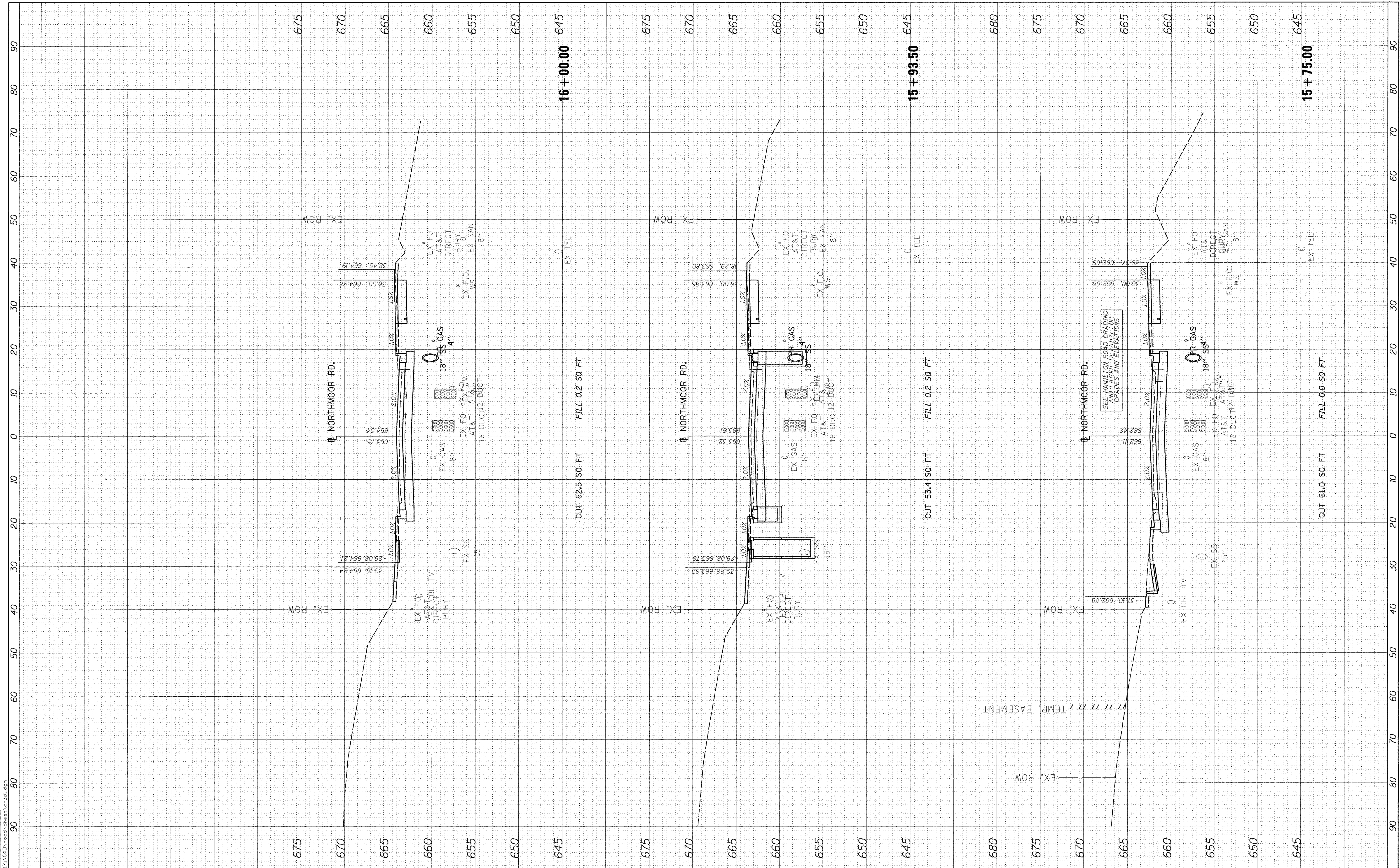
F.A.U. RTE.	SECTION	COUNTY	TOTAL SHEETS	SHEET NO.
6647	05-00302-00-PV	PEORIA	385	265
CONTRACT NO.89386				
ILLINOIS FED. AID PROJECT				M-5093(136)

FINAL	REVIEWED	BY	DATE
SURVEY	PLOTTED		
NOTE BOOK	TEMPLATE		
NO.	AREAS CHECKED		



ORIGINAL	DATE
SURVEY	
NOTE BOOK	
NO.	

LAYOUT	DLC	3/13/17
DRAWN	DLC	3/13/17
REVIEWED	MGD	3/14/17



FILE NAME = I:\13\jobs\13L0171\CAD\Road\Sheet\c-301.dgn

USER NAME = cor-01216
 PLOT SCALE = 10.0000' / 1in.
 PLOT DATE = 3/22/2017

DESIGNED - DLC
 DRAWN - DLC
 CHECKED - MGD
 DATE - 03/22/17

REVISED -
 REVISED -
 REVISED -
 REVISED -

**STATE OF ILLINOIS
 DEPARTMENT OF TRANSPORTATION**

**NORTHMOOR ROAD
 CROSS SECTIONS**

SCALE: 1=5V:1=10H SHEET OF SHEETS STA. 15+75.00 TO STA. 16+00.00

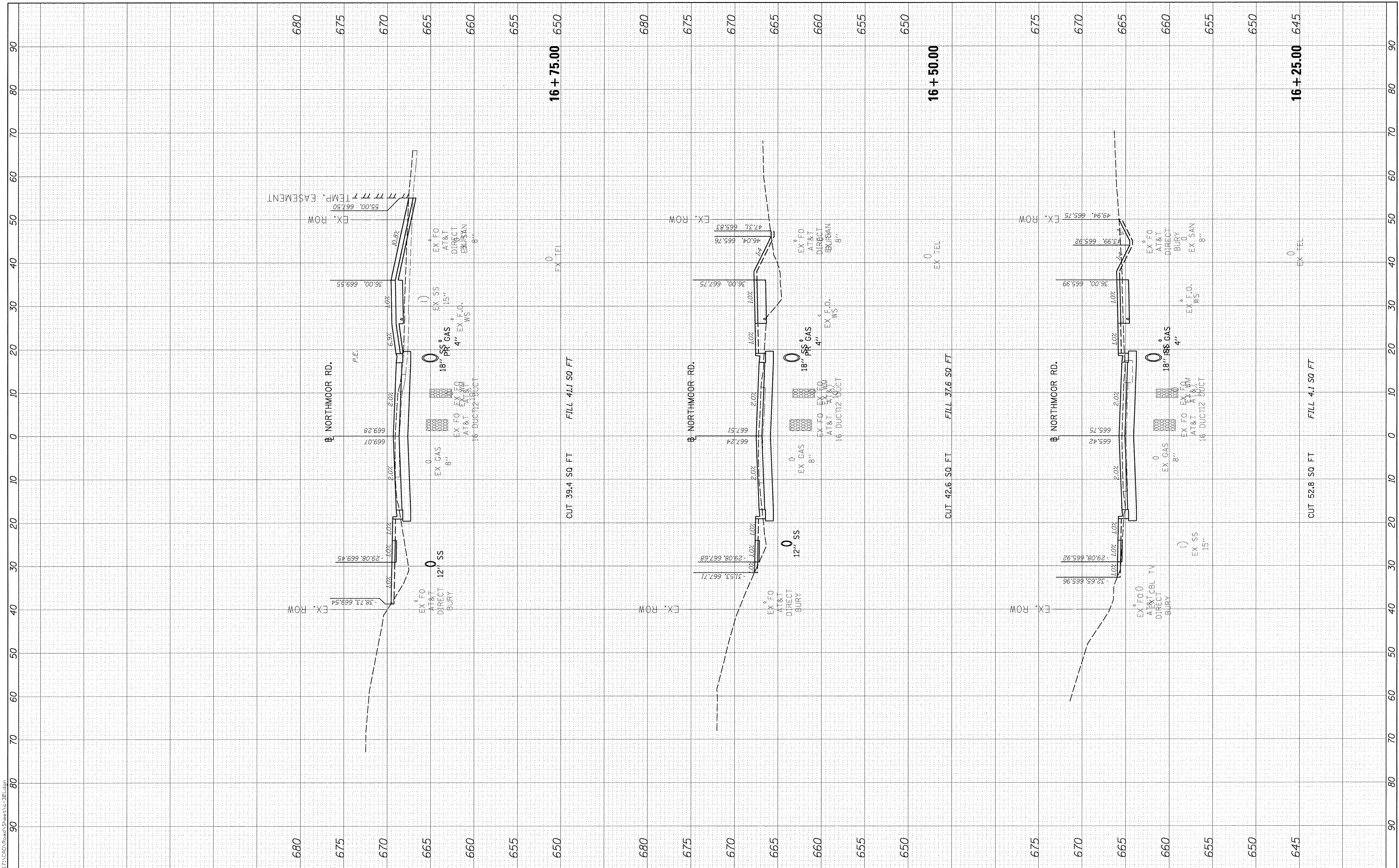
F.A.U. RTE.	SECTION	COUNTY	TOTAL SHEETS	SHEET NO.
6647	05-00302-00-PV	PEORIA	385	266
CONTRACT				NO.89386
ILLINOIS FED. AID PROJECT				M-50931(36)

FINAL SURVEY	SURVEYED	BY	DATE
NOTE BOOK	PLOTTED		
NO.	TEMPLATE		
	AREAS CHECKED		



ORIGINAL SURVEY	SURVEYED	BY	DATE
NOTE BOOK	PLOTTED		
NO.	TEMPLATE		
	AREAS CHECKED		

LAYOUT	DLC	3/10/17
DRAWN	DLC	3/10/17
REVIEWED	MGD	3/14/17



FILE NAME = I:\13\jobs\1310\71\CAD\Road\Sheet\c-301.dgn
 USER NAME = car-01216
 DESIGNED - DLC
 DRAWN - DLC
 CHECKED - MGD
 DATE - 03/22/17
 PLOT SCALE = 10.0000' / in.
 PLOT DATE = 3/22/2017

REVISIONS	NO.	DATE	DESCRIPTION

**STATE OF ILLINOIS
DEPARTMENT OF TRANSPORTATION**

**NORTHMOOR ROAD
CROSS SECTIONS**

SCALE: 1=5V:1=10H SHEET OF SHEETS STA. 16+25.00 TO STA. 16+75.00

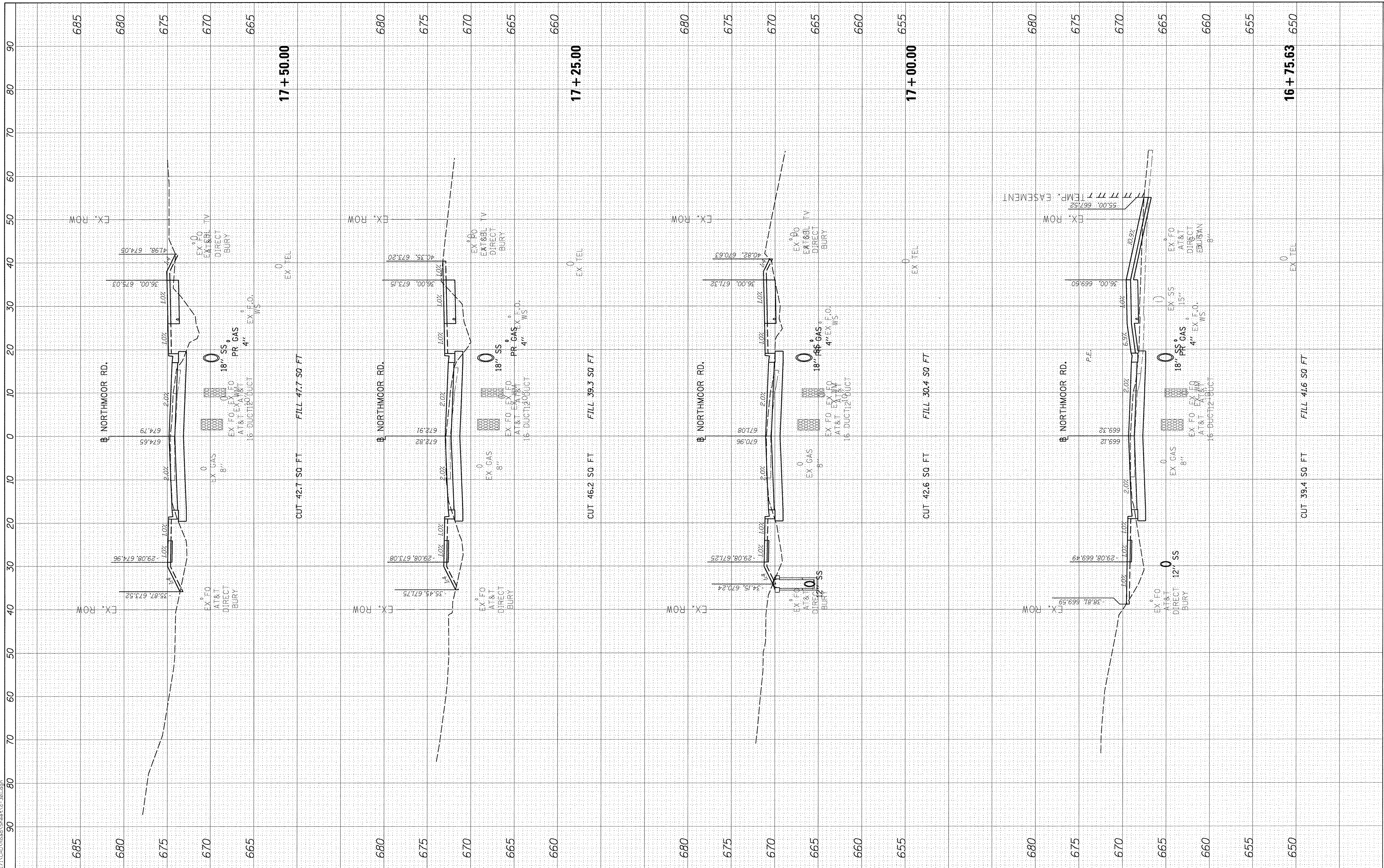
F.A.U. RTE.	SECTION	COUNTY	TOTAL SHEETS	SHEET NO.
6647	05-00302-00-PV	PEORIA	385	267
CONTRACT NO.89386				
ILLINOIS FED. AID PROJECT			M-5093(136)	

FINAL SURVEY	SURVEYED	BY	DATE
NO.	PLOTTED		
	NOTE BOOK		
	AREAS CHECKED		



ORIGINAL SURVEY	SURVEYED	BY	DATE
NO.	PLOTTED		
	NOTE BOOK		
	AREAS CHECKED		

LAYOUT	DLC	3/10/17
DRAWN	DLC	3/10/17
REVIEWED	MGD	3/14/17



FILE NAME = I:\13\jobs\13\0171\CAD\Road\Sheet\c-301.dgn
 USER NAME = carr01216
 PLOT SCALE = 10.0000' / 1" / in.
 PLOT DATE = 3/22/2017

DESIGNED	-	DLC	REVIS	-
DRAWN	-	DLC	REVIS	-
CHECKED	-	MGD	REVIS	-
DATE	-	03/22/17	REVIS	-

**STATE OF ILLINOIS
DEPARTMENT OF TRANSPORTATION**

**NORTHMOOR ROAD
CROSS SECTIONS**

SCALE: 1=5V:1=10H SHEET OF SHEETS STA. 16+75.63 TO STA. 17+50.00

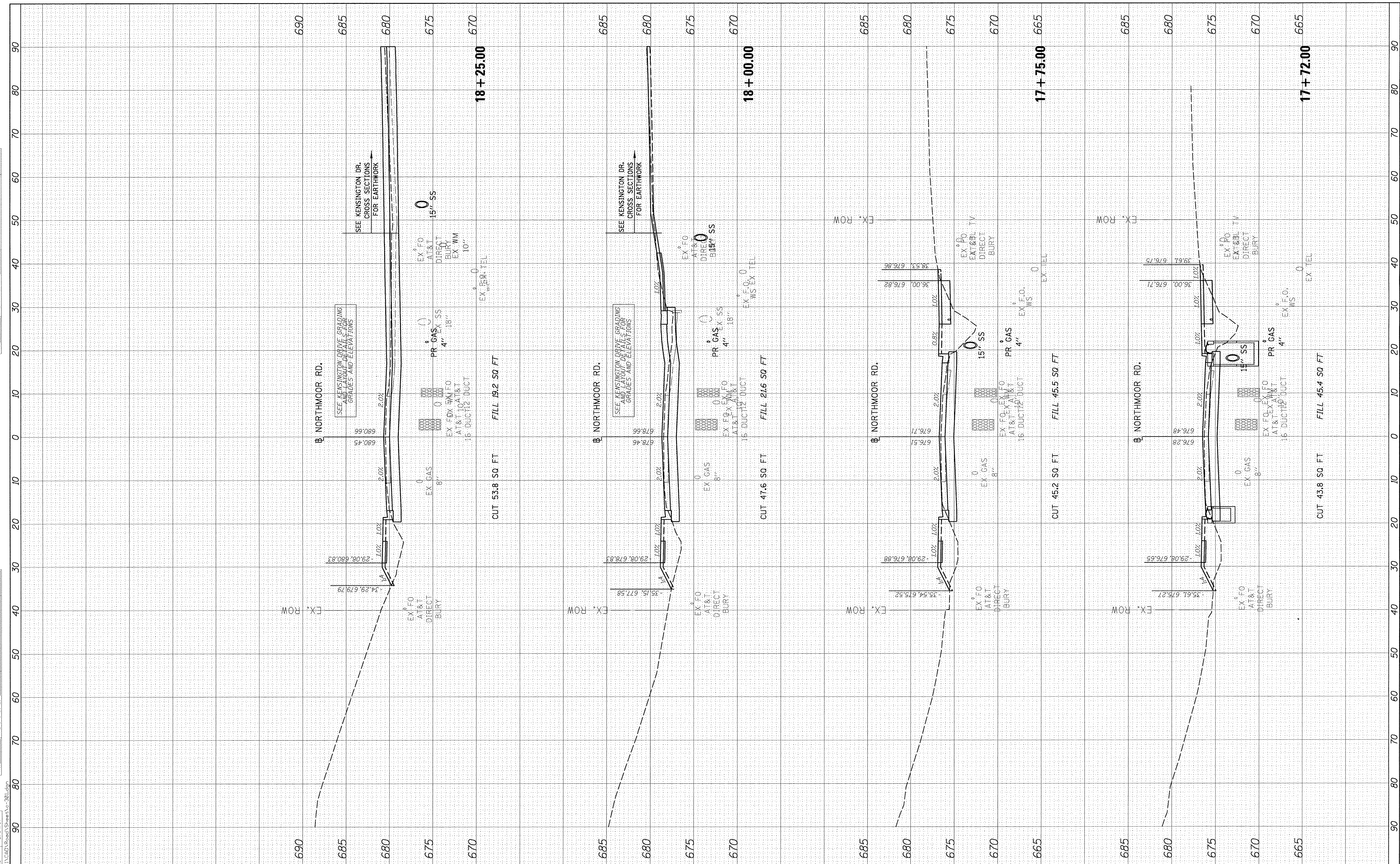
F.A.U. RTE.	SECTION	COUNTY	TOTAL SHEETS	SHEET NO.
6647	05-00302-00-PV	PEORIA	385	268
CONTRACT NO.89386				
ILLINOIS FED. AID PROJECT				M-5093(136)

FINAL SURVEY	BY	DATE
PLU COPY		
NO. BOOK		
AREAS CHECKED		



ORIGINAL SURVEY	BY	DATE
NOTE BOOK		
NO.		

LAYOUT	DLC	3/10/17
DRAWN	DLC	3/10/17
REVIEWED	MGD	3/14/17



FILE NAME = I:\13\jobs\1310171\CAD\Road\Sheet\c-301.dgn
 USER NAME = carr01216
 PLLOT SCALE = 10.0000' / 1" / 1" / 1"
 PLLOT DATE = 3/22/2017

DESIGNED	-	DLC	REVIS	-
DRAWN	-	DLC	REVIS	-
CHECKED	-	MGD	REVIS	-
DATE	-	03/22/17	REVIS	-

**STATE OF ILLINOIS
DEPARTMENT OF TRANSPORTATION**

**NORTHMOOR ROAD
CROSS SECTIONS**
 SCALE: 1"=5'; 1"=10'
 SHEET OF SHEETS STA. 17+72.00 TO STA. 18+25.00

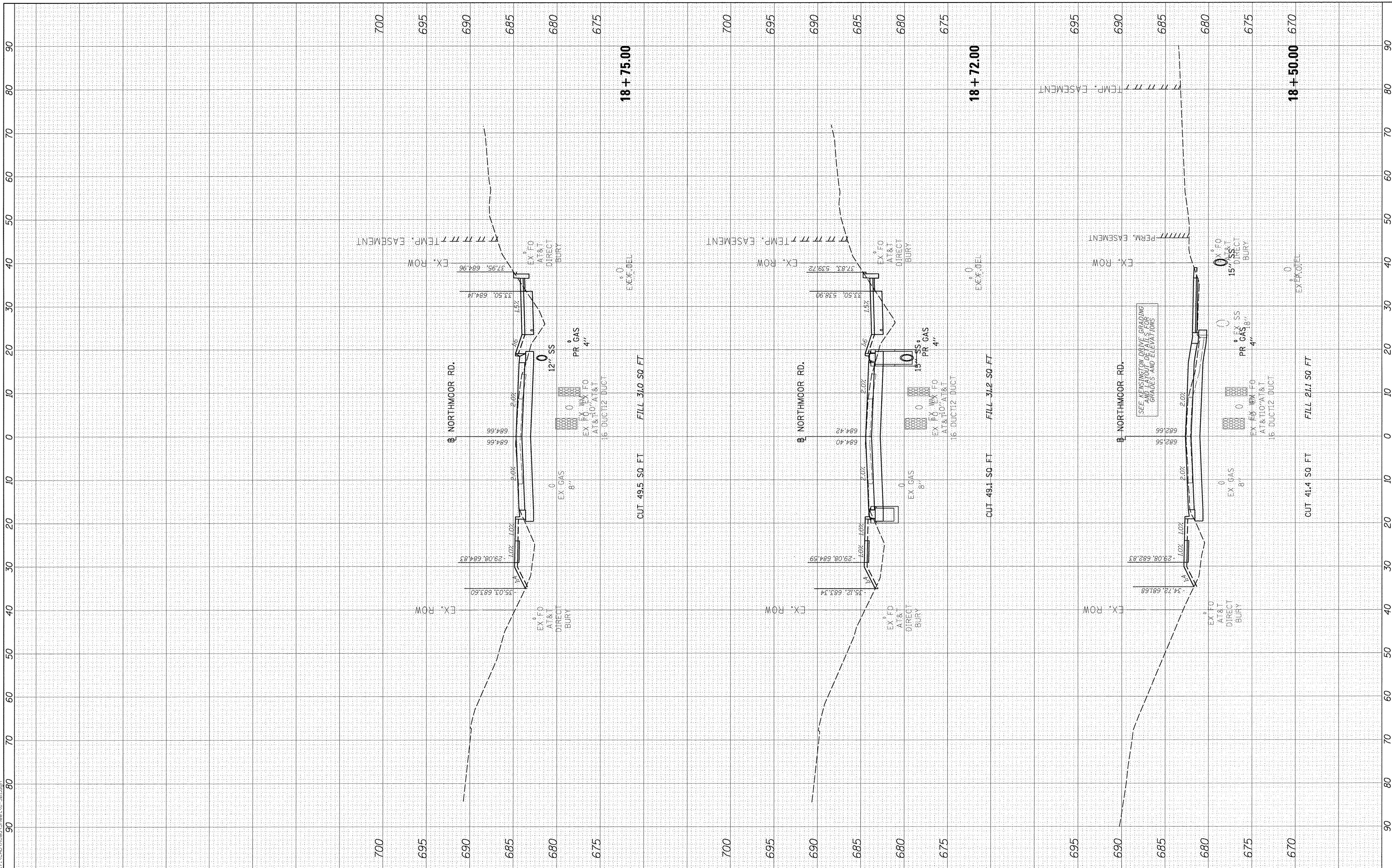
F.A.U. RTE.	SECTION	COUNTY	TOTAL SHEETS	SHEET NO.
6647	05-00302-00-PV	PEORIA	385	289
CONTRACT NO.89386			ILLINOIS FED. AID PROJECT M-50931136	

FINAL SURVEY	SURVEYED	BY	DATE
NOTE BOOK NO.	PLOTTED		
AREAS CHECKED	DATE		



ORIGINAL SURVEY	SURVEYED	BY	DATE
NOTE BOOK NO.	PLOTTED		
AREAS CHECKED	DATE		

LAYOUT	DLC	3/10/17
DRAWN	DLC	3/10/17
REVIEWED	MGD	3/14/17



FILE NAME = I:\13\jobs\13L0171\CAD\Road\Sheet\c-301.dgn
 USER NAME = carr01216
 PLOT SCALE = 10,0000' / in.
 PLOT DATE = 3/22/2017

DESIGNED - DLC
 DRAWN - DLC
 CHECKED - MGD
 DATE - 03/22/17

REVISED -
 REVISED -
 REVISED -
 REVISED -

**STATE OF ILLINOIS
 DEPARTMENT OF TRANSPORTATION**

**NORTHMOOR ROAD
 CROSS SECTIONS**

SCALE: 1=5V:1=10H SHEET OF SHEETS STA. 18+50.00 TO STA. 18+75.00

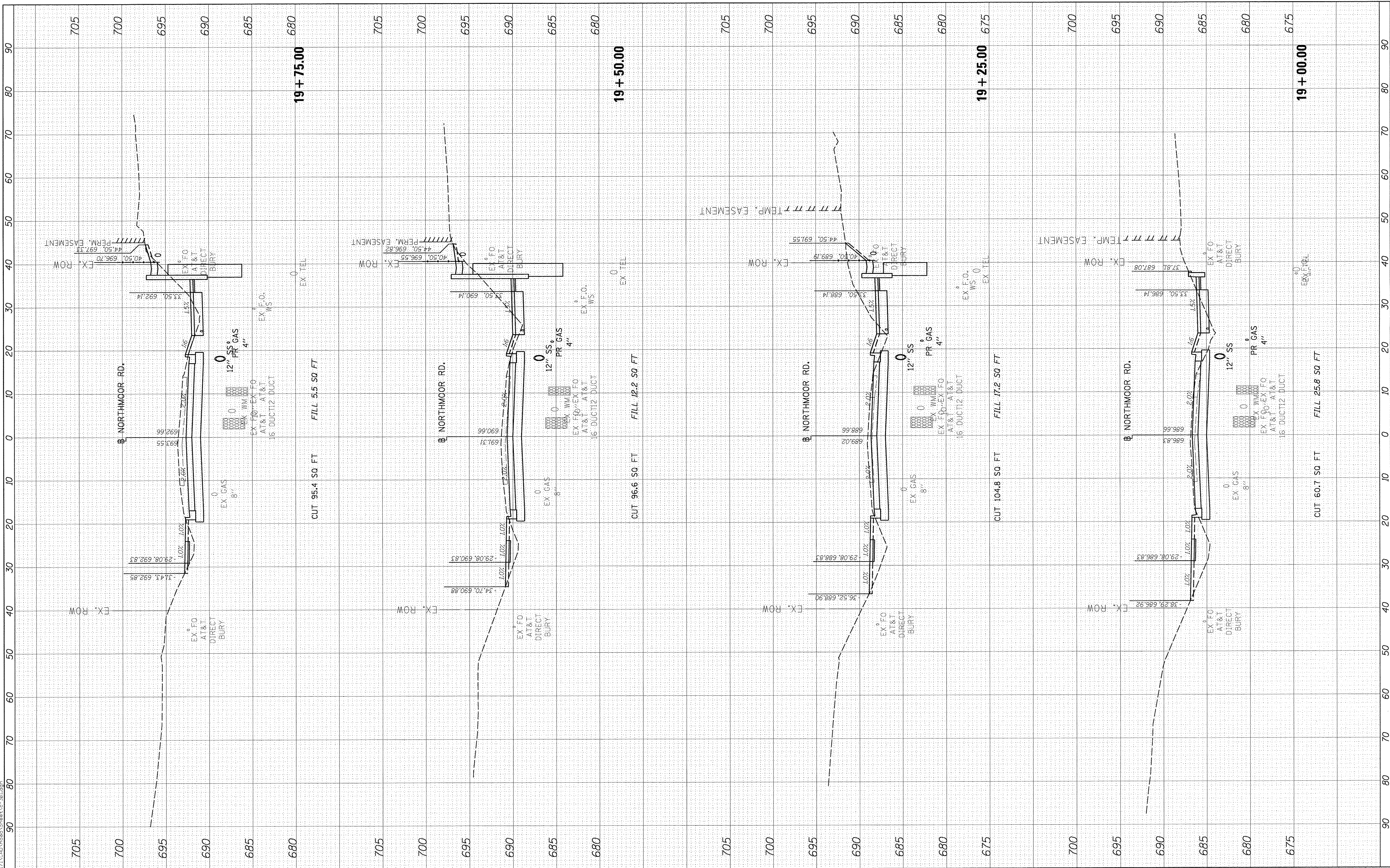
F.A.U. RTE.	SECTION	COUNTY	TOTAL SHEETS	SHEET NO.
6647	05-00302-00-PV	PEORIA	385	270
CONTRACT NO.89386				
ILLINOIS FED. AID PROJECT			M-50931(136)	

FINAL SURVEY	BY	DATE
PLOTTED		
NOTE BOOK		
AREAS		
CHECKED		
NO.		



ORIGINAL SURVEY	BY	DATE
NOTE BOOK		
AREAS		
CHECKED		
NO.		

LAYOUT	DLC	3/10/17
DRAWN	DLC	3/10/17
REVIEWED	MGD	3/14/17
I:\13\jobs\131\071\CAD\Road\Sheet\c-301.dgn		



FILE NAME = I:\13\jobs\131\071\CAD\Road\Sheet\c-301.dgn

USER NAME = carr01216
 DESIGNED - DLC
 DRAWN - DLC
 CHECKED - MGD
 DATE - 03/22/17

REVISIONS:
 REVISION NO. | DATE | DESCRIPTION

**STATE OF ILLINOIS
 DEPARTMENT OF TRANSPORTATION**

**NORTHMOOR ROAD
 CROSS SECTIONS**

SCALE: 1"=5V:1"=10H SHEET OF SHEETS STA. 19+00.00 TO STA. 19+75.00

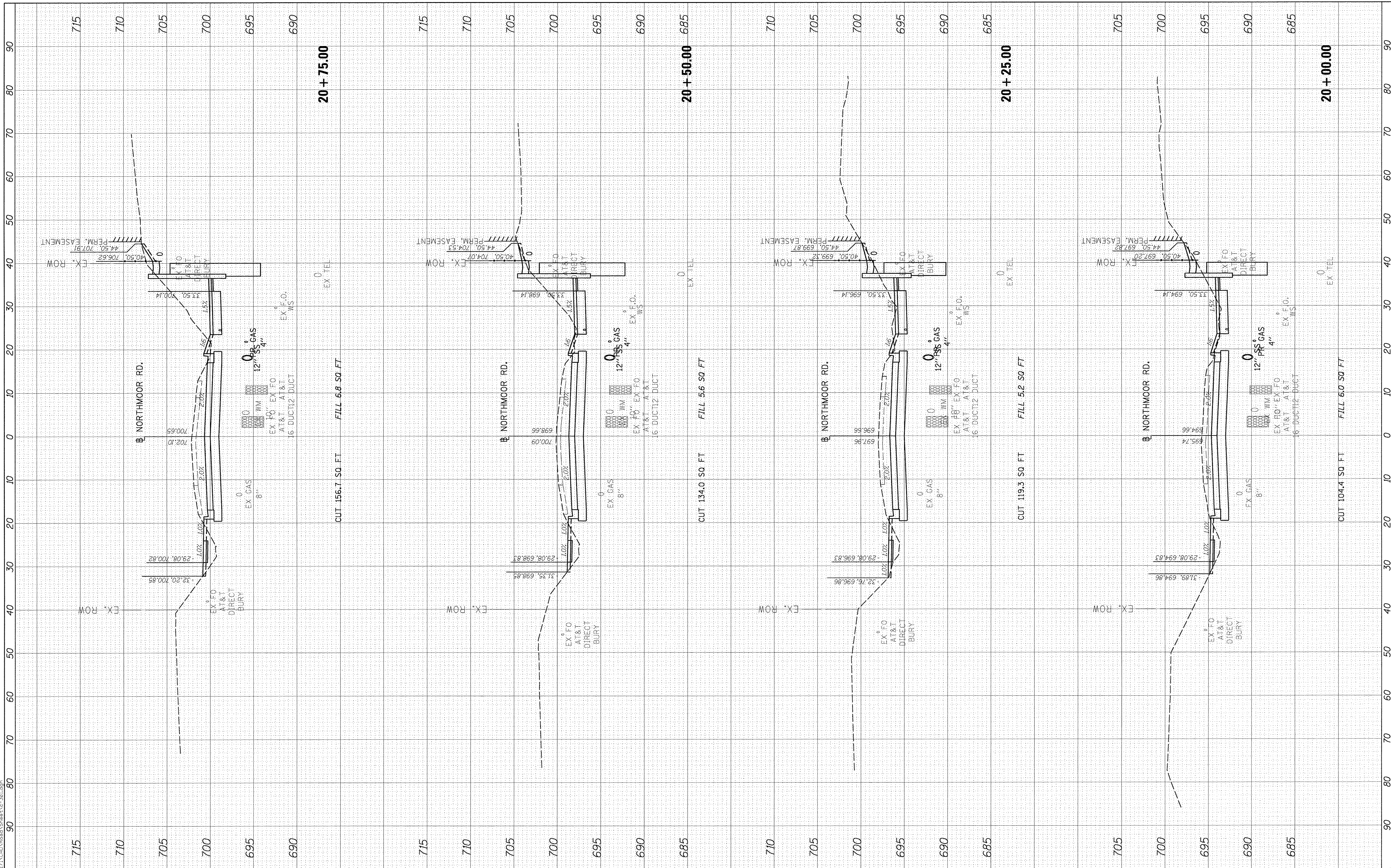
F.A.U. RTE.	SECTION	COUNTY	TOTAL SHEETS	SHEET NO.
6647	05-00302-00-PV	PEORIA	385	271
CONTRACT NO.89386				
[ILLINOIS] FED. AID PROJECT				M-50931360

FINAL SURVEY	SURVEYED	BY	DATE
NOTE BOOK	PLOTTED		
NO.	TEMPLATE		
	AREAS CHECKED		



ORIGINAL SURVEY	SURVEYED	BY	DATE
NOTE BOOK	PLOTTED		
NO.	TEMPLATE		
	AREAS CHECKED		

LAYOUT	DLC	3/10/17
DRAWN	DLC	3/10/17
REVIEWED	MGD	3/14/17
I:\13_jobs\131\071\CAD\Road\Sheet\c-301.dgn		



FILE NAME = I:\13_jobs\131\071\CAD\Road\Sheet\c-301.dgn
 USER NAME = carr#1216
 PLOT SCALE = 10.0000' / in.
 PLOT DATE = 3/22/2017

DESIGNED - DLC
 DRAWN - DLC
 CHECKED - MGD
 DATE - 03/22/17

REVISED -
 REVISED -
 REVISED -
 REVISED -

**STATE OF ILLINOIS
 DEPARTMENT OF TRANSPORTATION**

**NORTHMOOR ROAD
 CROSS SECTIONS**

SCALE: 1=5V:1=10H SHEET OF SHEETS STA. 20+00.00 TO STA. 20+75.00

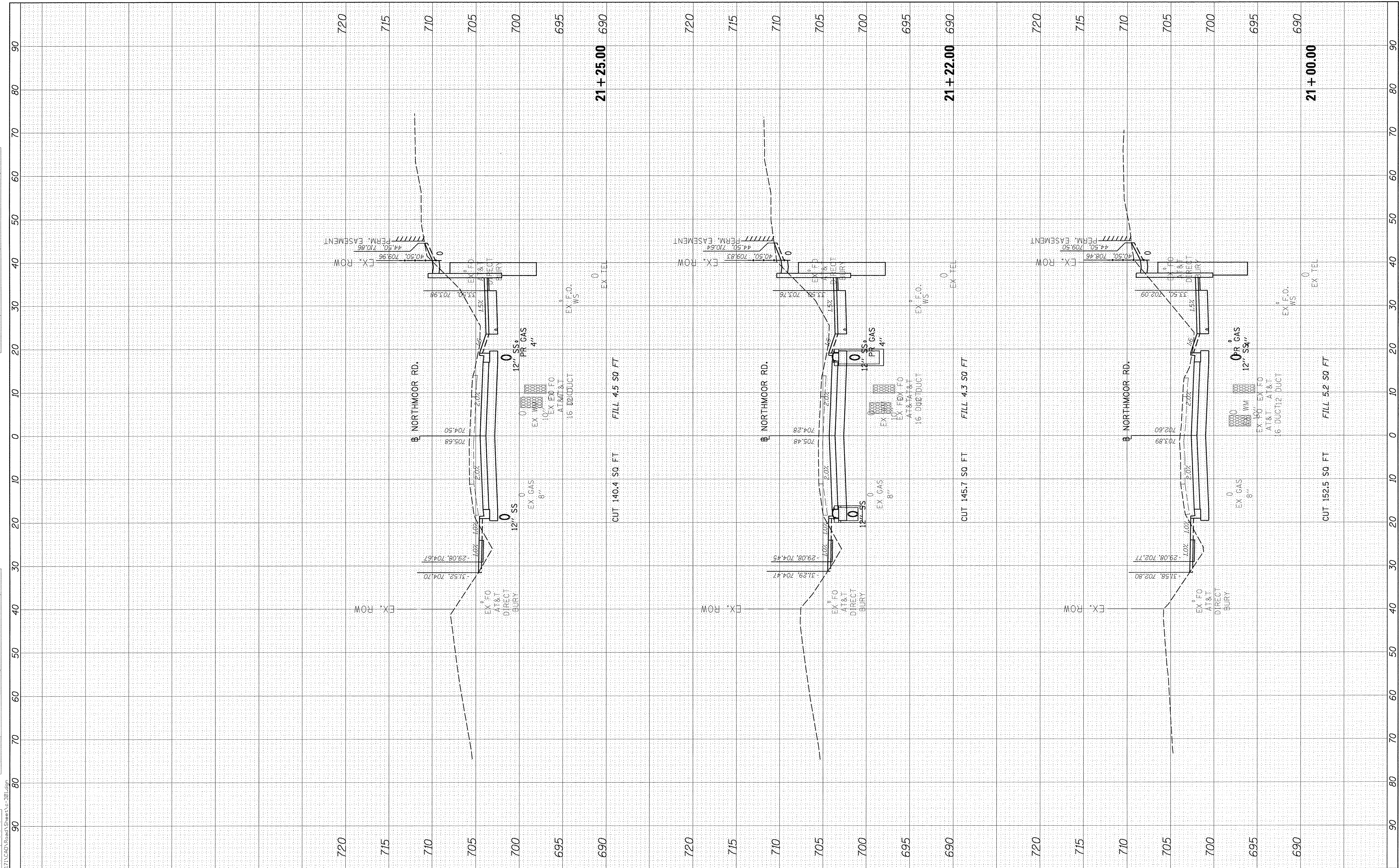
F.A.U. RTE.	SECTION	COUNTY	TOTAL SHEETS	SHEET NO.
6647	05-00302-00-PV	PEORIA	385	272
CONTRACT NO.89386				
ILLINOIS FED. AID PROJECT				M-5093(136)

FINAL SURVEY	DATE
SURVEYED	BY
NOTE BOOK	
TEMPLATE	
AREAS CHECKED	
NO.	



ORIGINAL SURVEY	DATE
SURVEYED	BY
NOTE BOOK	
TEMPLATE	
AREAS CHECKED	
NO.	

LAYOUT	DLC	3/10/17
DRAWN	DLC	3/10/17
REVIEWED	MGD	3/14/17



FILE NAME = I:\13\jobs\13L0171\CAD\Road\Sheet\c-301.dgn
 USER NAME = carr01216
 PLOT SCALE = 10.0000' / 1" / 100
 PLOT DATE = 3/22/2017

DESIGNED	-	DLC
DRAWN	-	DLC
CHECKED	-	MGD
DATE	-	03/22/17

REVISED	-
REVISED	-
REVISED	-
REVISED	-

**STATE OF ILLINOIS
DEPARTMENT OF TRANSPORTATION**

**NORTHMOOR ROAD
CROSS SECTIONS**

SCALE: 1=5V:1=10H SHEET OF SHEETS STA. 21+00.00 TO STA. 21+25.00

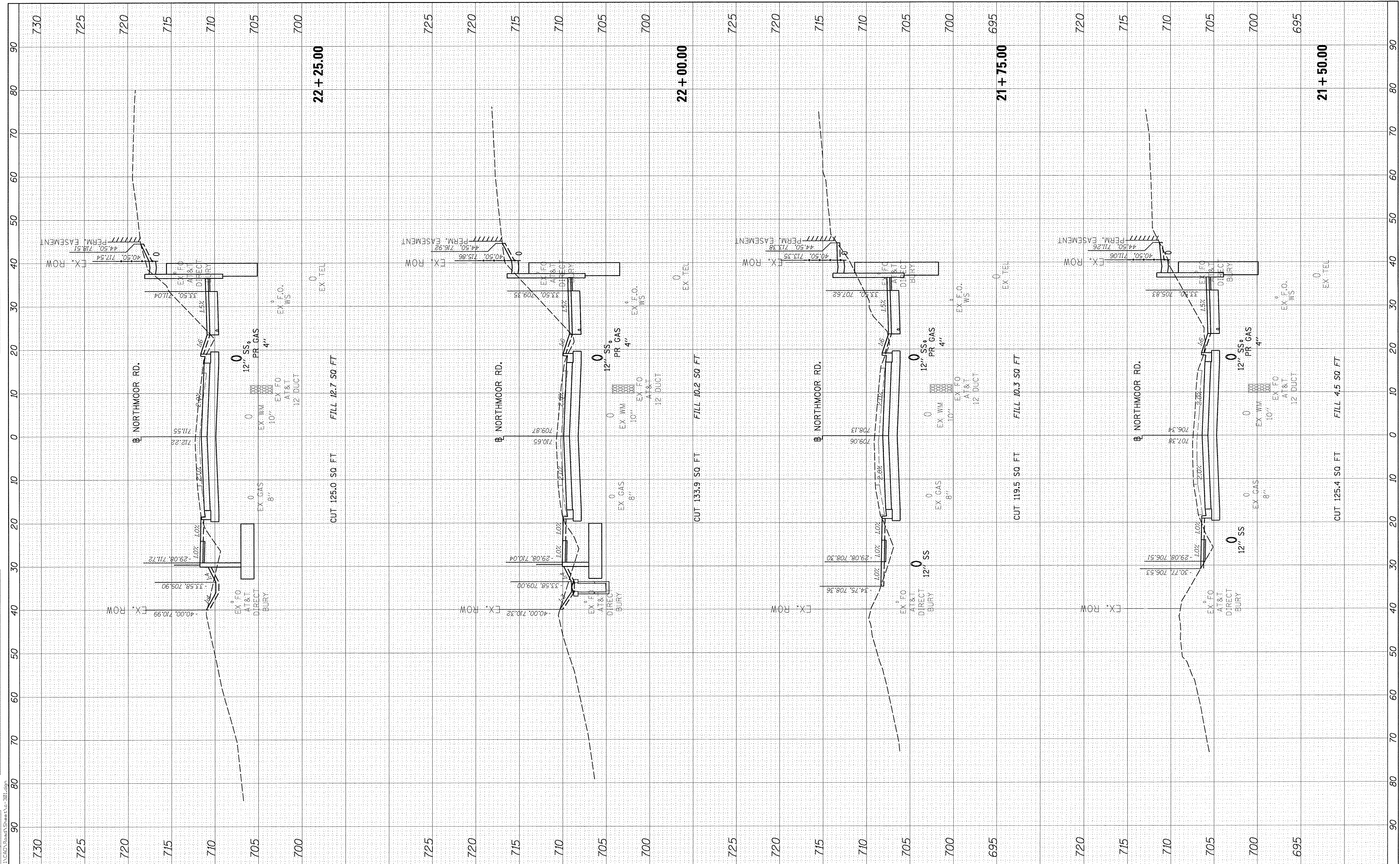
F.A.U. RTE.	SECTION	COUNTY	TOTAL SHEETS	SHEET NO.
6647	05-00302-00-PV	PEORIA	385	273
CONTRACT NO.89386				
ILLINOIS FED. AID PROJECT			M-5093(136)	

FINAL SURVEY PLOTTED	BY	DATE
NOTE BOOK		
AREAS CHECKED		
NO.		



ORIGINAL SURVEY	BY	DATE
NOTE BOOK		
AREAS CHECKED		
NO.		

LA/OUT	DLC	3/10/17
DRAWN	DLC	3/10/17
REVIEWED	MCD	3/14/17



FILE NAME = I:\13\jobs\1310171\CAD\Road\Sheet\c-301.dgn
 USER NAME = cor-r01216
 DESIGNED - DLC
 DRAWN - DLC
 CHECKED - MCD
 DATE - 03/22/17

REVISIONS:
 REVISION NO. / DATE / DESCRIPTION

STATE OF ILLINOIS
 DEPARTMENT OF TRANSPORTATION

**NORTHMOOR ROAD
 CROSS SECTIONS**

SCALE: 1=5V:1=10H SHEET OF SHEETS STA. 21+50.00 TO STA. 22+25.00

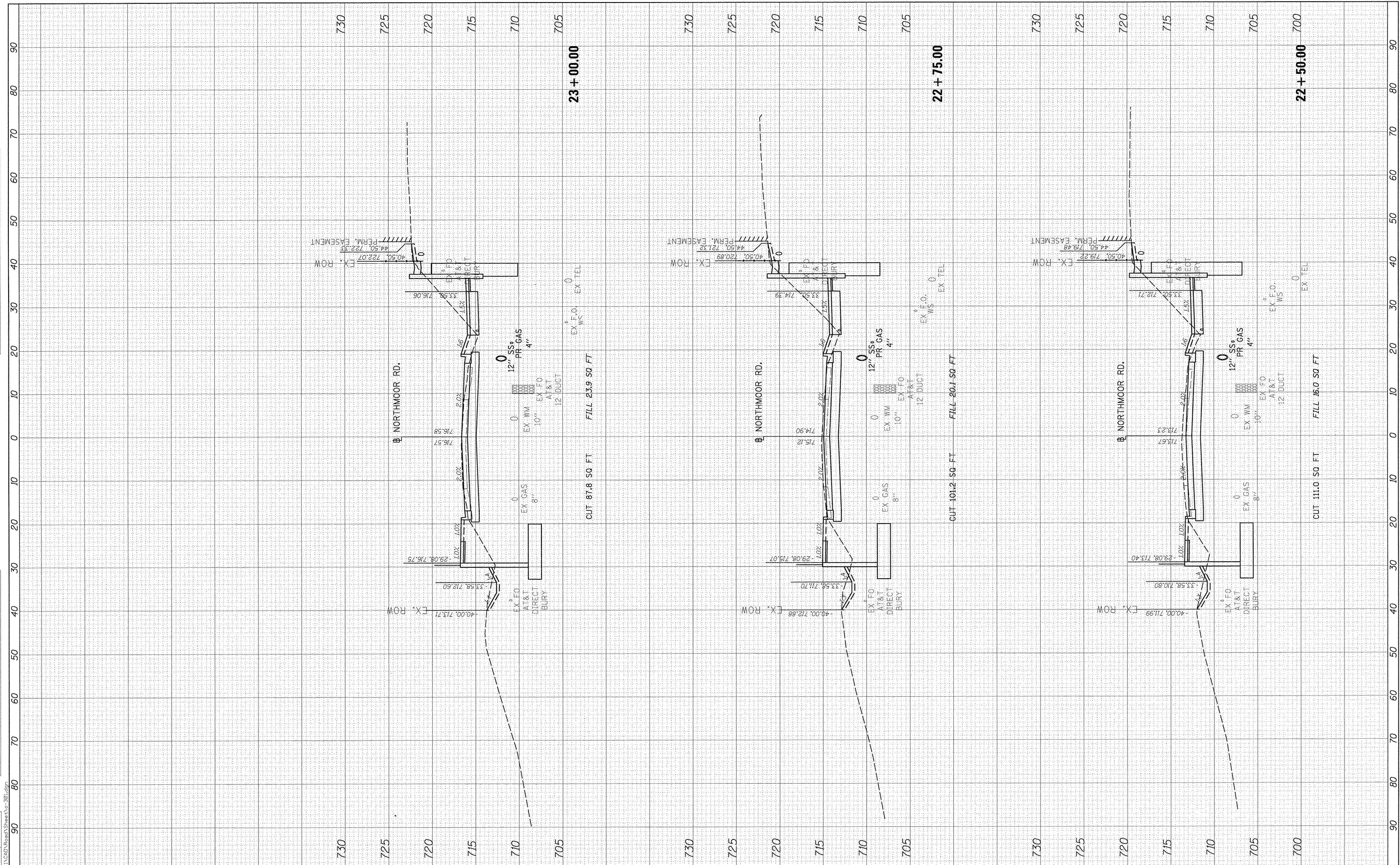
F.A.U. RTE.	SECTION	COUNTY	TOTAL SHEETS	SHEET NO.
6647	05-00302-00-PV	PEORIA	385	274
CONTRACT NO.89386				
ILLINOIS FED. AID PROJECT				M-50931361

FINAL SURVEY	DATE
SURVEY	BY
NOTED	
TEMPLATE	
NOTE BOOK	
AREAS CHECKED	
NO.	



ORIGINAL SURVEY	DATE
SURVEY	BY
NOTED	
TEMPLATE	
NOTE BOOK	
AREAS CHECKED	
NO.	

LAYOUT	DLC	3/10/17
DRAWN	DLC	3/10/17
REVIEWED	MGD	3/14/17



FILE NAME = I:\13\jobs\13L0171\CAD\Road\Sheet\c-301.dgn
 USER NAME = cor-r01216
 PLOT SCALE = 10.0000' / 1" / 100
 PLOT DATE = 3/22/2017

DESIGNED -	DLC	REVISOR -	-
DRAWN -	DLC	REVISOR -	-
CHECKED -	MGD	REVISOR -	-
DATE -	03/22/17	REVISOR -	-

**STATE OF ILLINOIS
DEPARTMENT OF TRANSPORTATION**

**NORTHMOOR ROAD
CROSS SECTIONS**

SCALE: 1=5V:1=10H SHEET OF SHEETS STA. 22+50.00 TO STA. 23+00.00

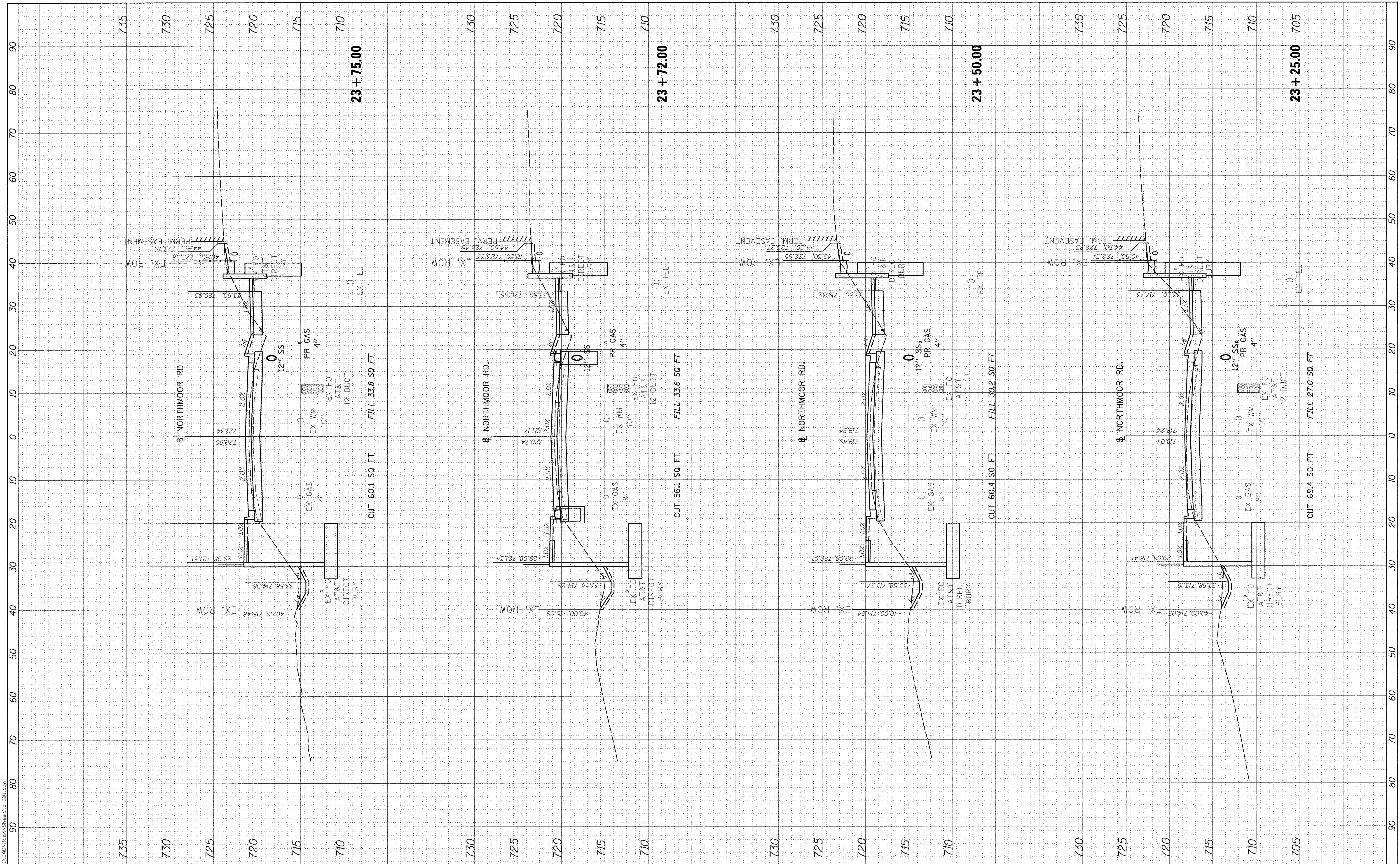
F.A.U. RTE.	SECTION	COUNTY	TOTAL SHEETS	SHEET NO.
6647	05-00302-00-PV	PEORIA	385	275
CONTRACT NO.89386				
ILLINOIS FED. AID PROJECT				M-5093(136)

NO.	
AREAS CHECKED	
NOTE BOOK	
FINAL SURVEY	
SURVEYED	
PLOTTED	
DATE	



NO.	
AREAS CHECKED	
NOTE BOOK	
ORIGINAL SURVEY	
SURVEYED	
PLOTTED	
DATE	

LAYOUT	DLC	3/10/17
DRAWN	DLC	3/10/17
REVIEWED	MGD	3/14/17



FILE NAME =	I:\13\jobs\13\071\CAD\Road\Sheet\c-301.dgn
USER NAME =	car-01216
DESIGNED -	DLC
DRAWN -	DLC
CHECKED -	MGD
DATE -	03/22/17

REVISID -	-
REVISID -	-
REVISID -	-
REVISID -	-

**STATE OF ILLINOIS
DEPARTMENT OF TRANSPORTATION**

NORTHMOOR ROAD CROSS SECTIONS			
SCALE: 1=5V:1=10H	SHEET	OF	SHEETS
STA. 23+25.00			TO STA. 23+75.00

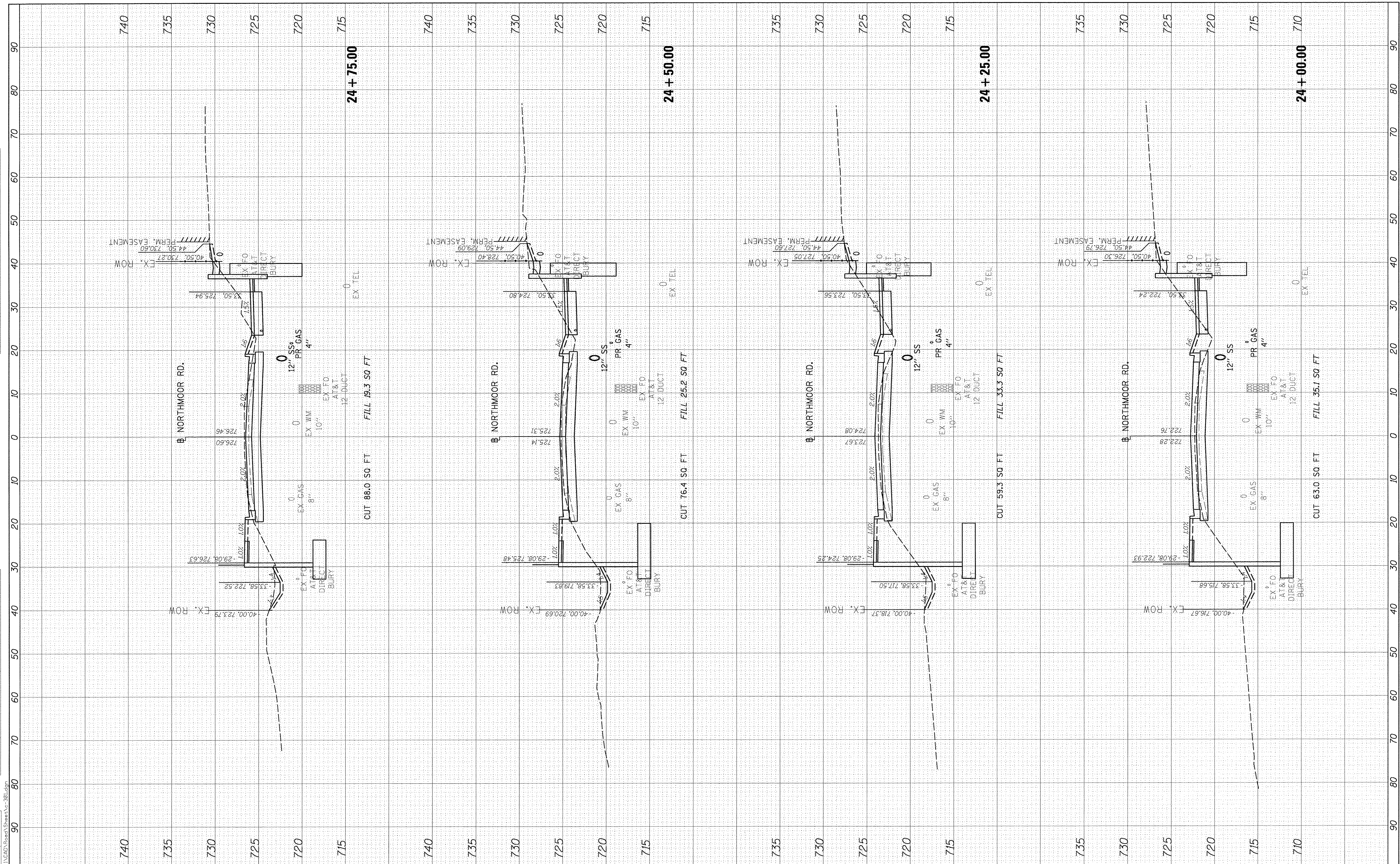
F.A.U. RTE. 6647	SECTION 05-00302-00-PV	COUNTY PEORIA	TOTAL SHEETS 385	SHEET NO. 276
CONTRACT NO.89386			ILLINOIS FED. AID PROJECT M-5093136	

FINAL SURVEY	SURVEYED	BY	DATE
NOTE BOOK	TEMPLATE		
NO.	AREAS CHECKED		



ORIGINAL SURVEY	SURVEYED	BY	DATE
NOTE BOOK	TEMPLATE		
NO.	AREAS CHECKED		

LAYOUT	DLC	3/10/17
DRAWN	DLC	3/10/17
REVIEWED	MGD	3/14/17



FILE NAME = I:\13\jobs\13\071\CAD\Road\Sheet\c-301.dgn
 USER NAME = cor-r01216
 PLOT SCALE = 10.0000' / 1"
 PLOT DATE = 3/22/2017

DESIGNED - DLC
 DRAWN - DLC
 CHECKED - MGD
 DATE - 03/22/17

REVISED -
 REVISED -
 REVISED -
 REVISED -

**STATE OF ILLINOIS
 DEPARTMENT OF TRANSPORTATION**

**NORTHMOOR ROAD
 CROSS SECTIONS**

SCALE: 1=5V:1=10H SHEET OF SHEETS STA. 24+00.00 TO STA. 24+75.00

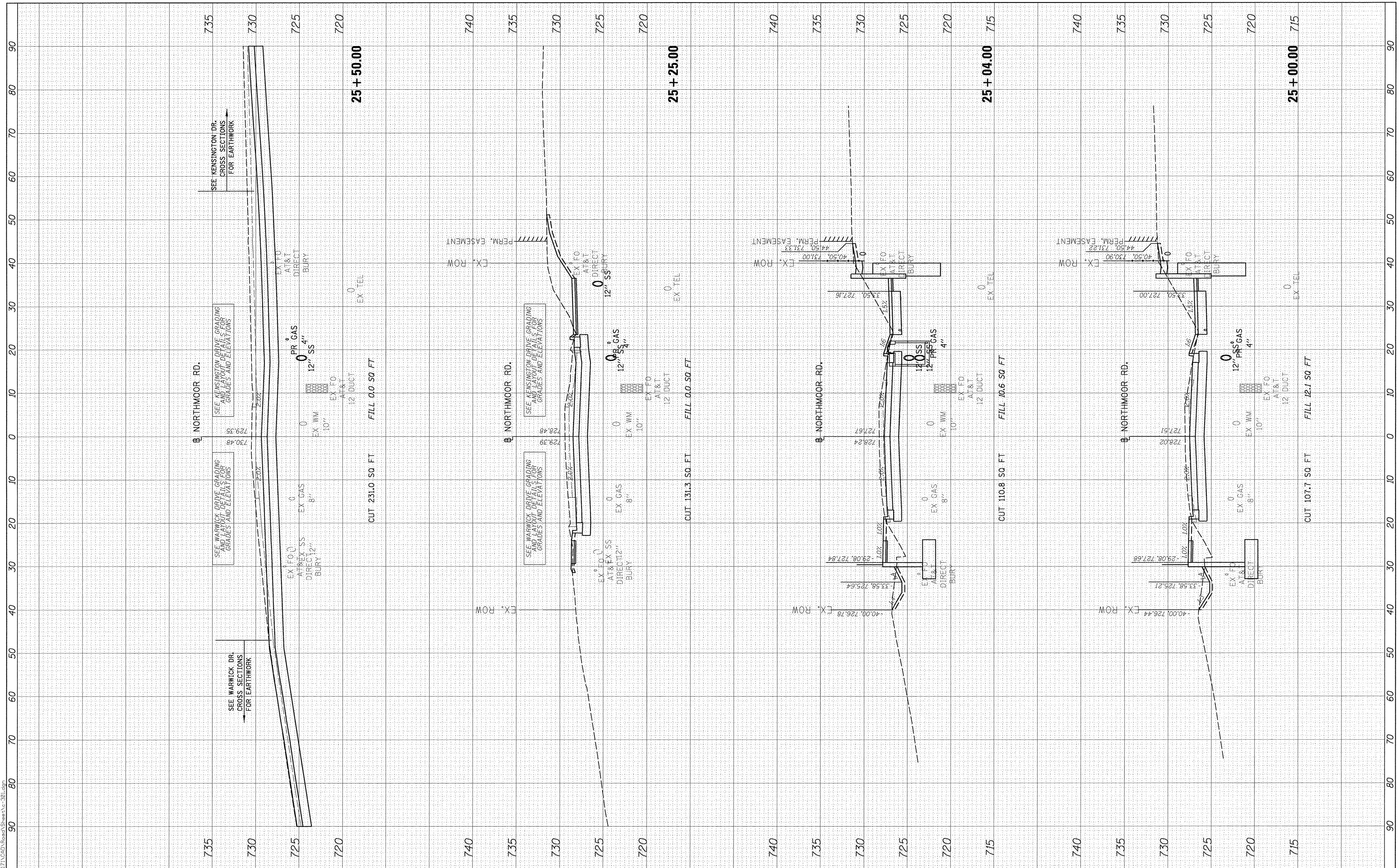
F.A.U. RTE.	SECTION	COUNTY	TOTAL SHEETS	SHEET NO.
6647	05-00302-00-PV	PEORIA	385	277
CONTRACT NO.89386			ILLINOIS FED. AID PROJECT M-5093(136)	

FINAL SURVEY	SURVEYED	BY	DATE
NOTE BOOK	PLOTTED		
AREAS CHECKED	TEMP. AREAS		
	NO. AREAS		



ORIGINAL SURVEY	SURVEYED	BY	DATE
NOTE BOOK	PLOTTED		
AREAS CHECKED	TEMP. AREAS		
	NO. AREAS		

LAYOUT	DLC	3/10/17
DRAWN	DLC	3/10/17
REVIEWED	MGD	3/14/17



FILE NAME = I:\13\jobs\131\0171\CAD\Road\Sheet\c-301.dgn
 USER NAME = carr01216
 PLOT SCALE = 10.0000' / in.
 PLOT DATE = 3/22/2017

DESIGNED	-	DLC
DRAWN	-	DLC
CHECKED	-	MGD
DATE	-	03/22/17

REVISED	-
REVISED	-
REVISED	-
REVISED	-

**STATE OF ILLINOIS
DEPARTMENT OF TRANSPORTATION**

**NORTHMOOR ROAD
CROSS SECTIONS**

SCALE: 1=5V:1=10H SHEET OF SHEETS STA. 25+00.00 TO STA. 25+50.00

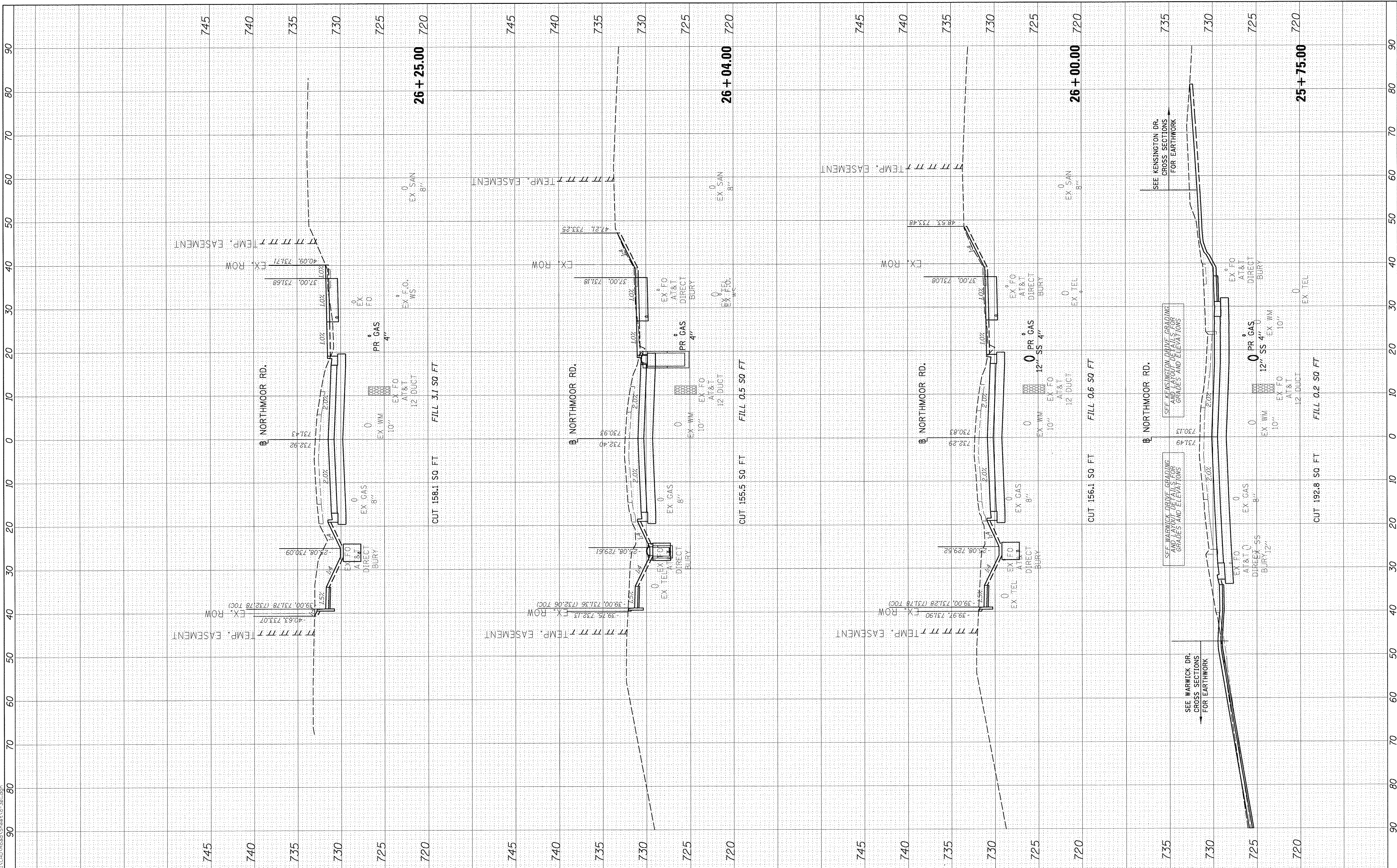
F.A.U. RTE.	SECTION	COUNTY	TOTAL SHEETS	SHEET NO.
6647	05-00302-00-PV	PEORIA	385	278
CONTRACT NO.89386				
ILLINOIS FED. AID PROJECT				M-5093(136)

FINAL SURVEY	BY	DATE
PLOTTED		
NOTE BOOK		
AREAS CHECKED		
NO.		



ORIGINAL SURVEY	BY	DATE
NOTE BOOK		
AREAS CHECKED		
NO.		

LAYOUT	DLC	3/10/17
DRAWN	DLC	3/10/17
REVIEWED	MGD	3/14/17
I:\13_jobs\131_0171\CAD\Road\Sheet\c-301.dgn		



FILE NAME = I:\13_jobs\131_0171\CAD\Road\Sheet\c-301.dgn
 USER NAME = carr0216

DESIGNED - DLC
 DRAWN - DLC
 CHECKED - MGD
 DATE - 03/22/17

REVISED -
 REVISED -
 REVISED -
 REVISED -

**STATE OF ILLINOIS
 DEPARTMENT OF TRANSPORTATION**

**NORTHMOOR ROAD
 CROSS SECTIONS**

SCALE: 1=5V:1=10H SHEET OF SHEETS STA. 25+75.00 TO STA. 26+25.00

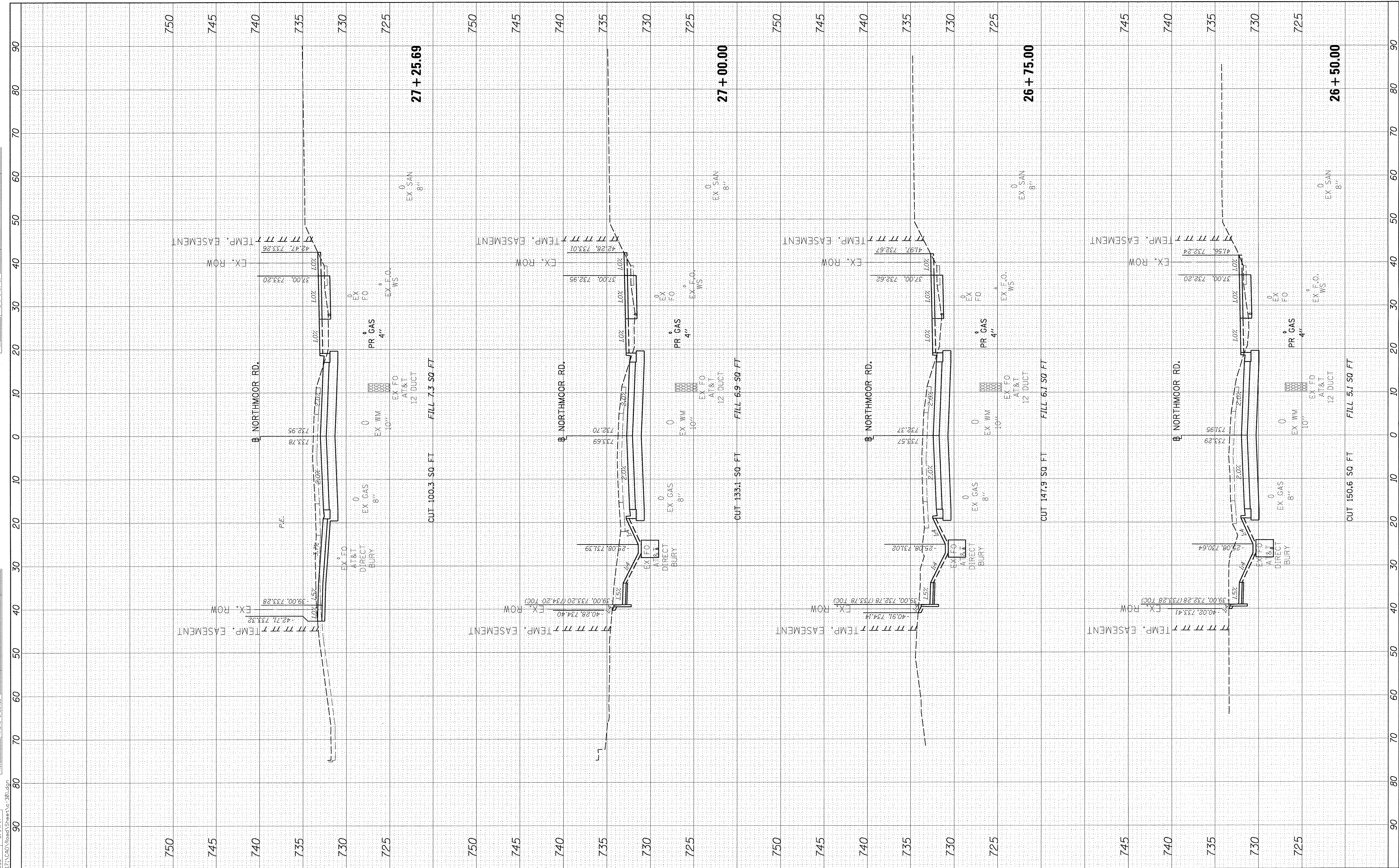
F.A.U. RTE.	SECTION	COUNTY	TOTAL SHEETS	SHEET NO.
6647	05-00302-00-PV	PEORIA	385	279
ILLINOIS FED. AID PROJECT				CONTRACT NO. 89386
				M-50931361

FINAL SURVEY	SURVEYED	BY	DATE
NOTE BOOK	PLOTTED		
NO.	DATE		
	AREAS CHECKED		



ORIGINAL SURVEY	SURVEYED	BY	DATE
NOTE BOOK	PLOTTED		
NO.	DATE		
	AREAS CHECKED		

LAYOUT	DLC	3/19/17
DRAWN	DLC	3/19/17
REVIEWED	MGD	3/14/17



FILE NAME = I:\13\jobs\13L0171\CAD\Road\Sheet\c-301.dgn
 USER NAME = carr@1216

DESIGNED - DLC
 DRAWN - DLC
 CHECKED - MGD
 DATE - 03/22/17

REVISIONS:
 REVISION NO. | DATE | DESCRIPTION

**STATE OF ILLINOIS
 DEPARTMENT OF TRANSPORTATION**

**NORTHMOOR ROAD
 CROSS SECTIONS**

SCALE: 1"=5V:1"=10H SHEET OF SHEETS STA. 26+50.00 TO STA. 27+25.69

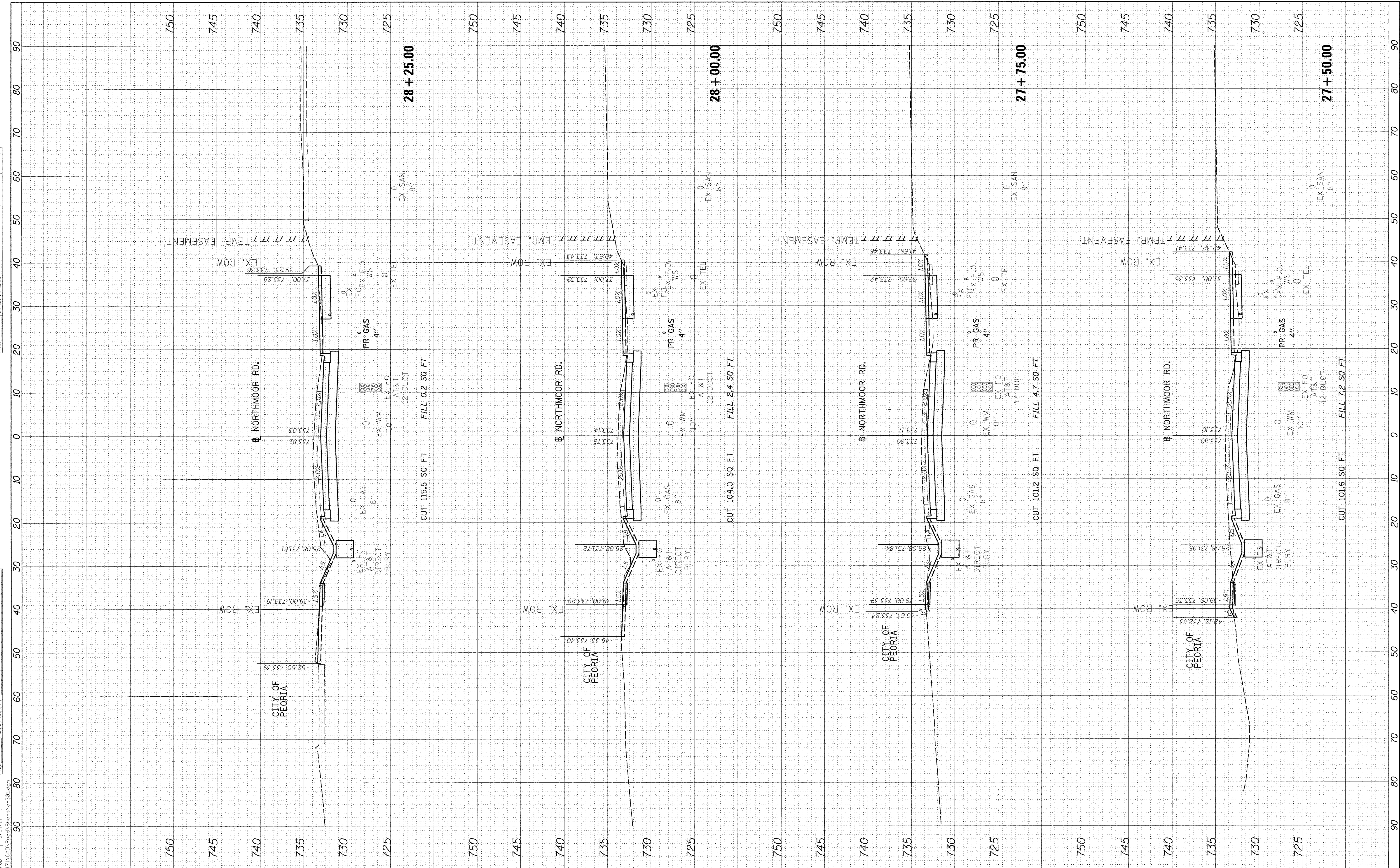
F.A.U. RTE.	SECTION	COUNTY	TOTAL SHEETS	SHEET NO.
6647	05-00302-00-PV	PEORIA	385	280
CONTRACT NO.89386			ILLINOIS FED. AID PROJECT M-5093(136)	

FINAL SURVEY	BY	DATE
PLOTTED		
NOTE BOOK NO.		
AREAS CHECKED		



ORIGINAL SURVEY	BY	DATE
PLOTTED		
NOTE BOOK NO.		
AREAS CHECKED		

LAYOUT	DLC	3/10/17
DRAWN	DLC	3/10/17
REVIEWED	MGD	3/14/17



FILE NAME = I:\13\jobs\13L0171\CAD\Road\Sheet\c-301.dgn
 USER NAME = carr0216
 PLOT SCALE = 18.0000' / in.
 PLOT DATE = 3/22/2017

DESIGNED - DLC
 DRAWN - DLC
 CHECKED - MGD
 DATE - 03/22/17

REVISED -
 REVISED -
 REVISED -
 REVISED -

**STATE OF ILLINOIS
 DEPARTMENT OF TRANSPORTATION**

**NORTHMOOR ROAD
 CROSS SECTIONS**
 SCALE: 1"=5V:1"=10H SHEET OF SHEETS STA. 27+50.00 TO STA. 28+25.00

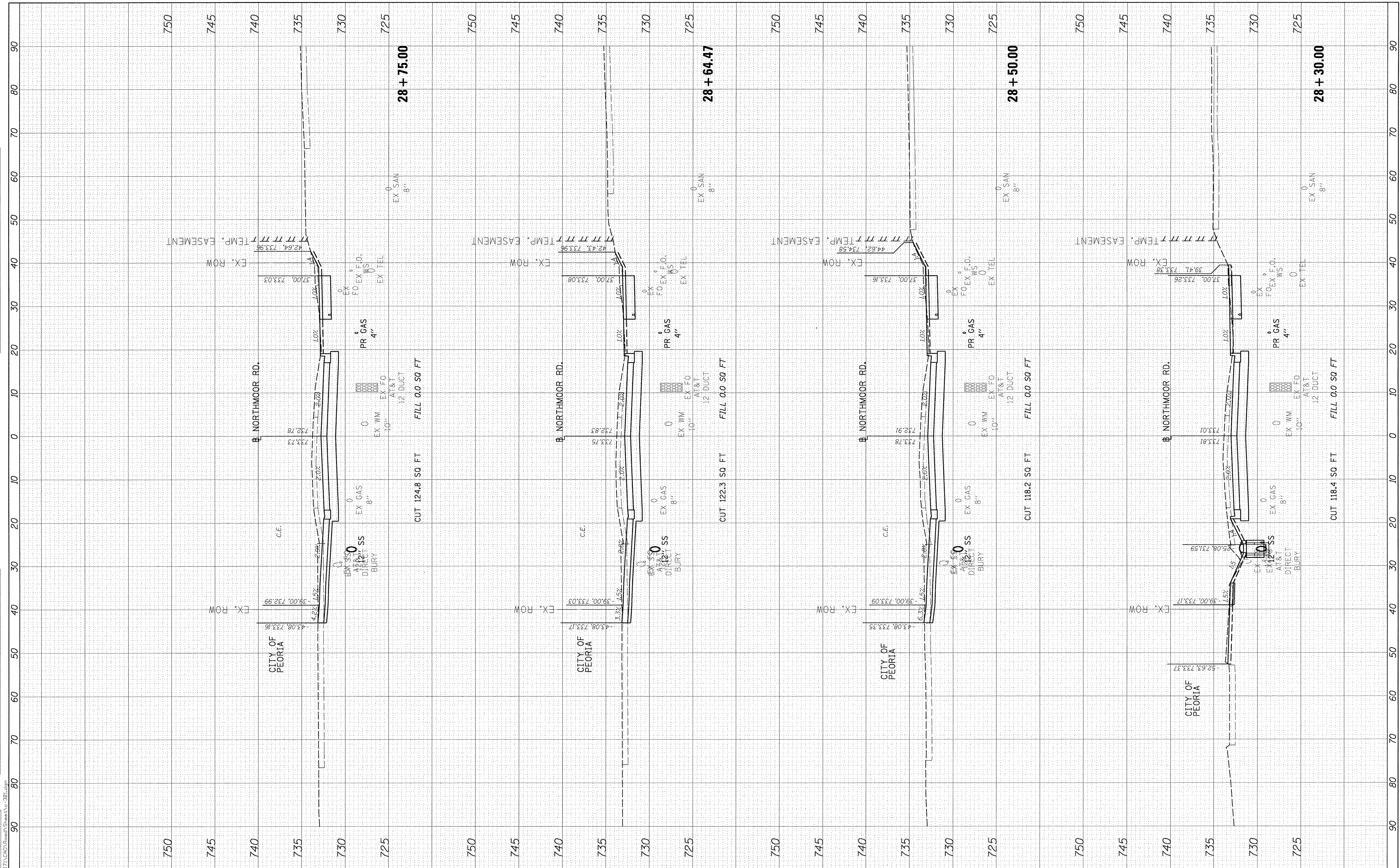
F.A.U. RTE.	SECTION	COUNTY	TOTAL SHEETS	SHEET NO.
6647	05-00302-00-PV	PEORIA	385	281
CONTRACT NO.89386				
ILLINOIS FED. AID PROJECT			M-5093(136)	

FINAL SURVEY	DATE
NO. _____	_____
NO. _____	_____
NO. _____	_____
NO. _____	_____



ORIGINAL SURVEY	DATE
NO. _____	_____
NO. _____	_____
NO. _____	_____
NO. _____	_____

LAYOUT	DLC	3/10/17
DRAWN	DLC	3/10/17
REVIEWED	MGD	3/14/17



FILE NAME = I:\13\jobs\13\071\CAD\Road\Sheet\c-301.dgn
 USER NAME = car-01216
 DESIGNED - DLC
 DRAWN - DLC
 CHECKED - MGD
 DATE - 03/22/17

REVISIONS:
 REVISED -
 REVISED -
 REVISED -
 REVISED -

**STATE OF ILLINOIS
 DEPARTMENT OF TRANSPORTATION**

**NORTHMOOR ROAD
 CROSS SECTIONS**
 SCALE: 1=5V:1=10H SHEET OF SHEETS STA. 28+30.00 TO STA. 28+75.00

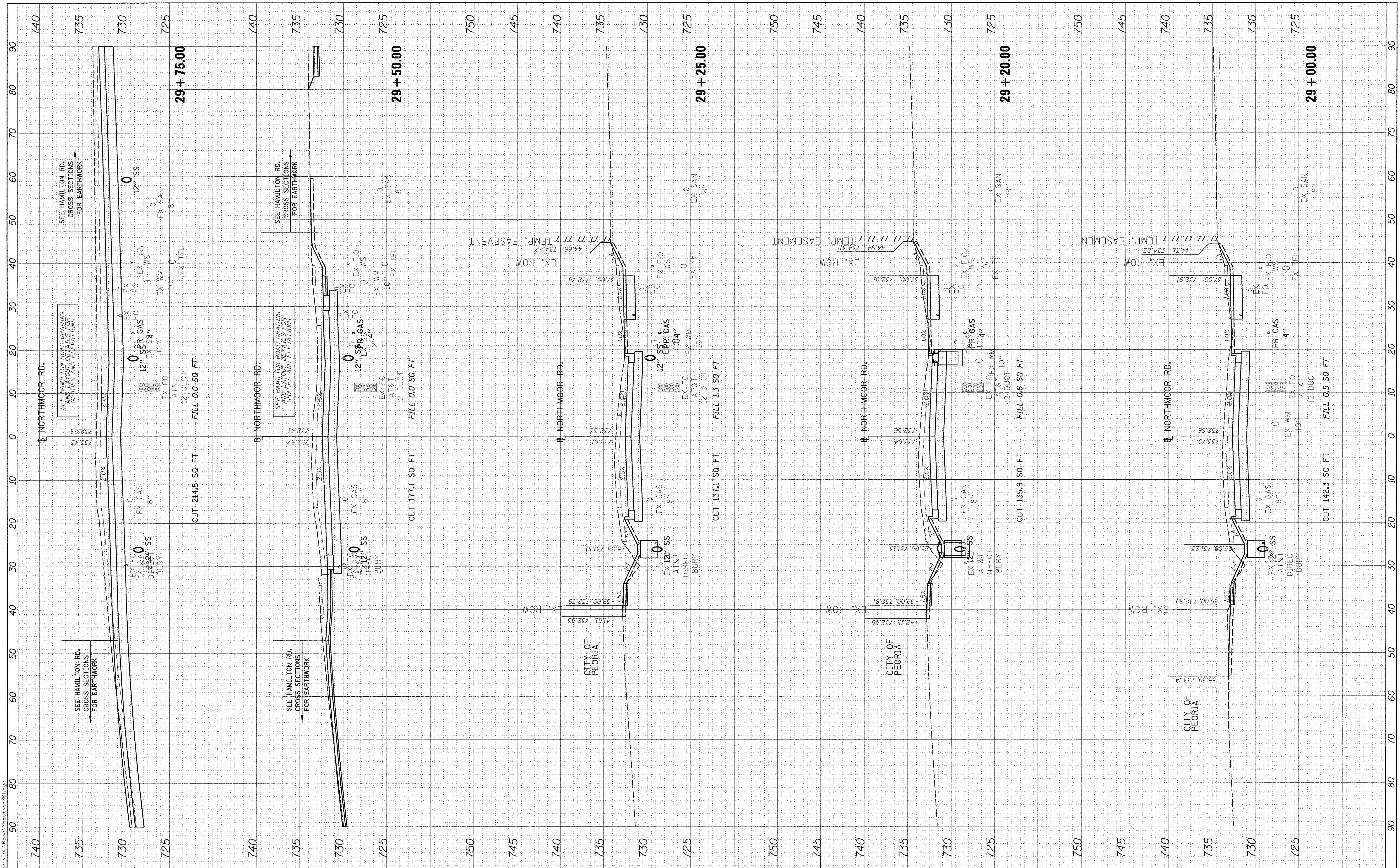
F.A.U. RTE.	SECTION	COUNTY	TOTAL SHEETS	SHEET NO.
6647	05-00302-00-PV	PEORIA	385	282
CONTRACT NO.89386			ILLINOIS FED. AID PROJECT M-50931(36)	

BY	DATE



ORIGINAL SURVEY	PLotted	DATE

LAYOUT	3/10/17
DRAWN	3/10/17
REVIEWED	3/14/17



FILE NAME = I:\13\jobs\131071\CAD\Road\Sheet\c-301.dgn
 PLOT SCALE = 10.0000' / in.
 PLOT DATE = 3/22/2017

USER NAME	car-01216
DESIGNED	- DLC
DRAWN	- DLC
CHECKED	- MGD
DATE	- 03/22/17

REVISI	-
REVISI	-
REVISI	-
REVISI	-

**STATE OF ILLINOIS
DEPARTMENT OF TRANSPORTATION**

**NORTHMOOR ROAD
CROSS SECTIONS**
 SCALE: 1"=5V:1"=10H
 SHEET OF SHEETS
 STA. 29+00.00 TO STA. 29+75.00

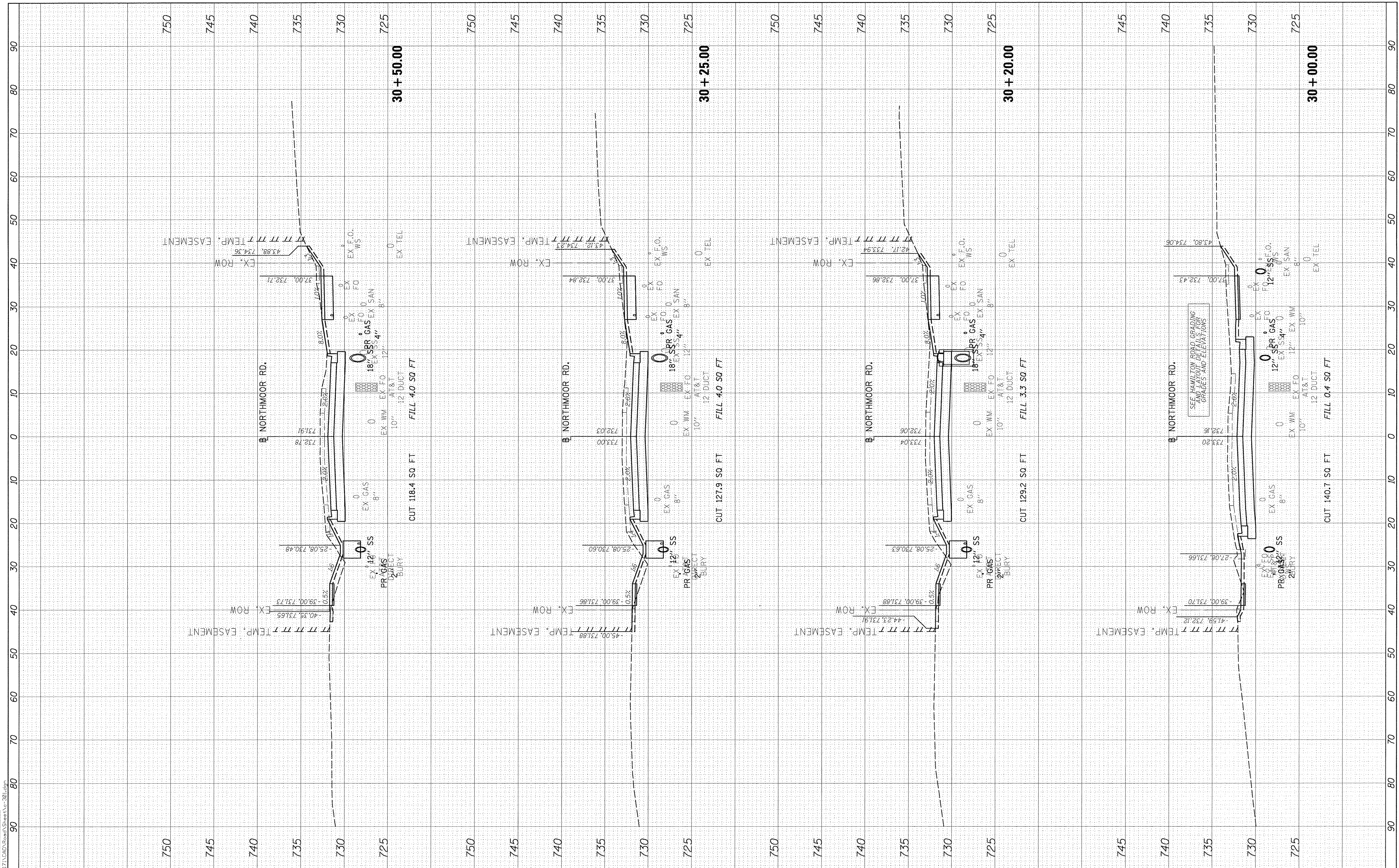
F.A.U. RTE.	SECTION	COUNTY	TOTAL SHEETS	SHEET NO.
6647	05-00302-00-PV	PEORIA	385	283
CONTRACT NO.89386				
ILLINOIS FED. AID PROJECT				M-5093(136)

FINAL SURVEY	SUPERVISED	BY	DATE
NOTE BOOK	PLOTTED		
NO.	TEMPLATE		
	AREAS CHECKED		



ORIGINAL SURVEY	DATE
NOTE BOOK	
NO.	

LAYOUT	DLC	3/10/17
DRAWN	DLC	3/10/17
REVIEWED	MGD	3/14/17



FILE NAME = I:\13jobs\13L0171\CAD\Road\Sheet\c-301.dgn
 USER NAME = car-01216
 DESIGNED - DLC
 DRAWN - DLC
 CHECKED - MGD
 DATE - 03/22/17

REVISOR -
 REVISION -
 REVISION -
 REVISION -

STATE OF ILLINOIS
 DEPARTMENT OF TRANSPORTATION

NORTHMOOR ROAD
 CROSS SECTIONS

SCALE: 1"=5V:1"=10H
 SHEET OF SHEETS
 STA. 30+00.00 TO STA. 30+50.00

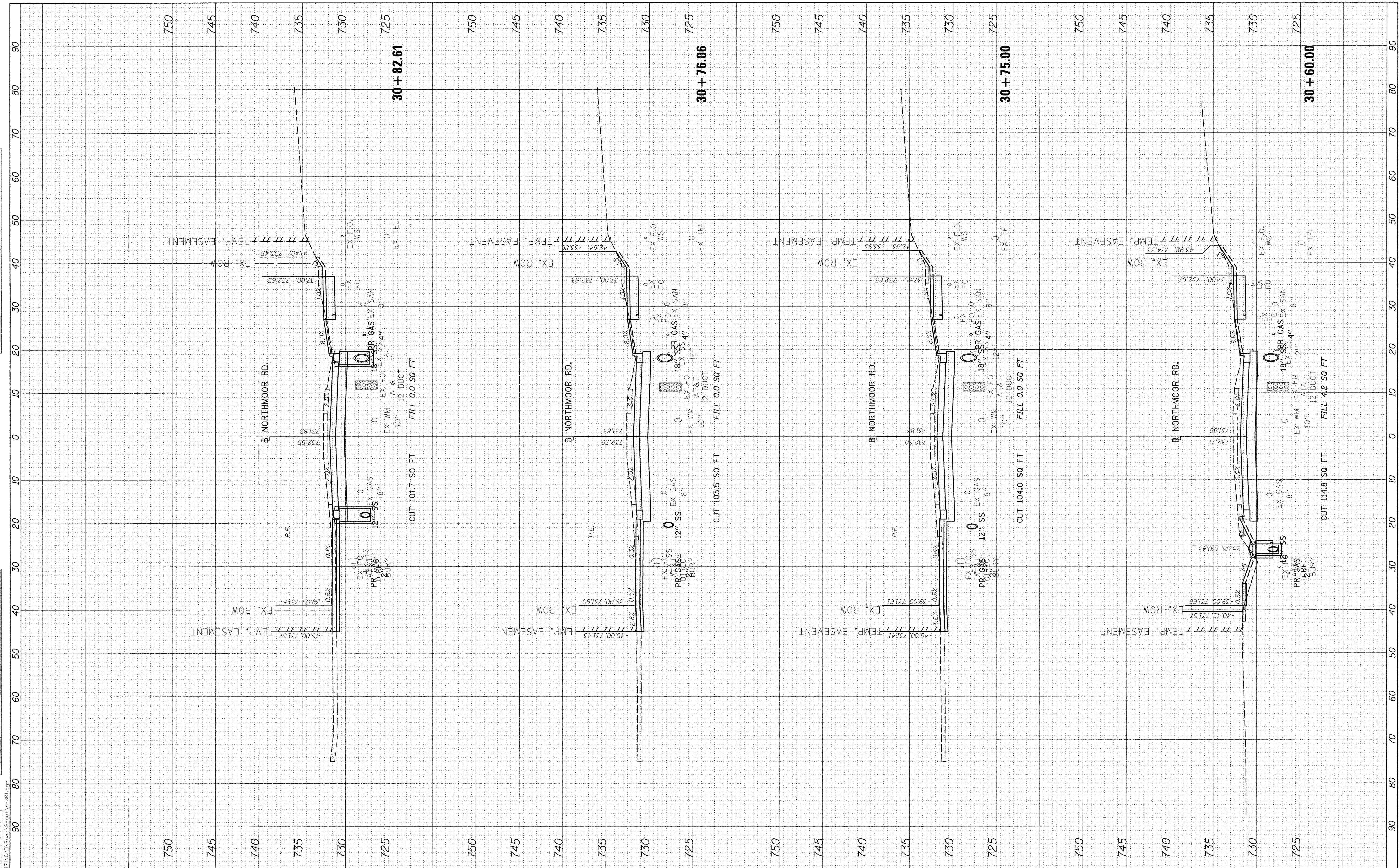
F.A.U. RTE.	SECTION	COUNTY	TOTAL SHEETS	SHEET NO.
6647	05-00302-00-PV	PEORIA	385	284
CONTRACT NO.89386				
ILLINOIS FED. AID PROJECT			M-50931336	

FINAL SURVEY	BY	DATE
NOTE BOOK		
NO.		
SURVEYED		
TEMP.		
AREAS		
CHECKED		



ORIGINAL SURVEY	BY	DATE
NOTE BOOK		
NO.		
SURVEYED		
TEMP.		
AREAS		
CHECKED		

LAYOUT	DLC	3/10/17
DRAWN	DLC	3/10/17
REVIEWED	MGD	3/14/17



FILE NAME = I:\13\jobs\1310171\CAD\Road\Sheet\c-301.dgn
 USER NAME = car-r01216
 PLOT SCALE = 10.0000' / 1".
 PLOT DATE = 3/22/2017

DESIGNED	-	DLC	REVISED	-
DRAWN	-	DLC	REVISED	-
CHECKED	-	MGD	REVISED	-
DATE	-	03/22/17	REVISED	-

**STATE OF ILLINOIS
DEPARTMENT OF TRANSPORTATION**

**NORTHMOOR ROAD
CROSS SECTIONS**

SCALE: 1=5V:1=10H SHEET OF SHEETS STA. 30+60.00 TO STA. 30+82.61

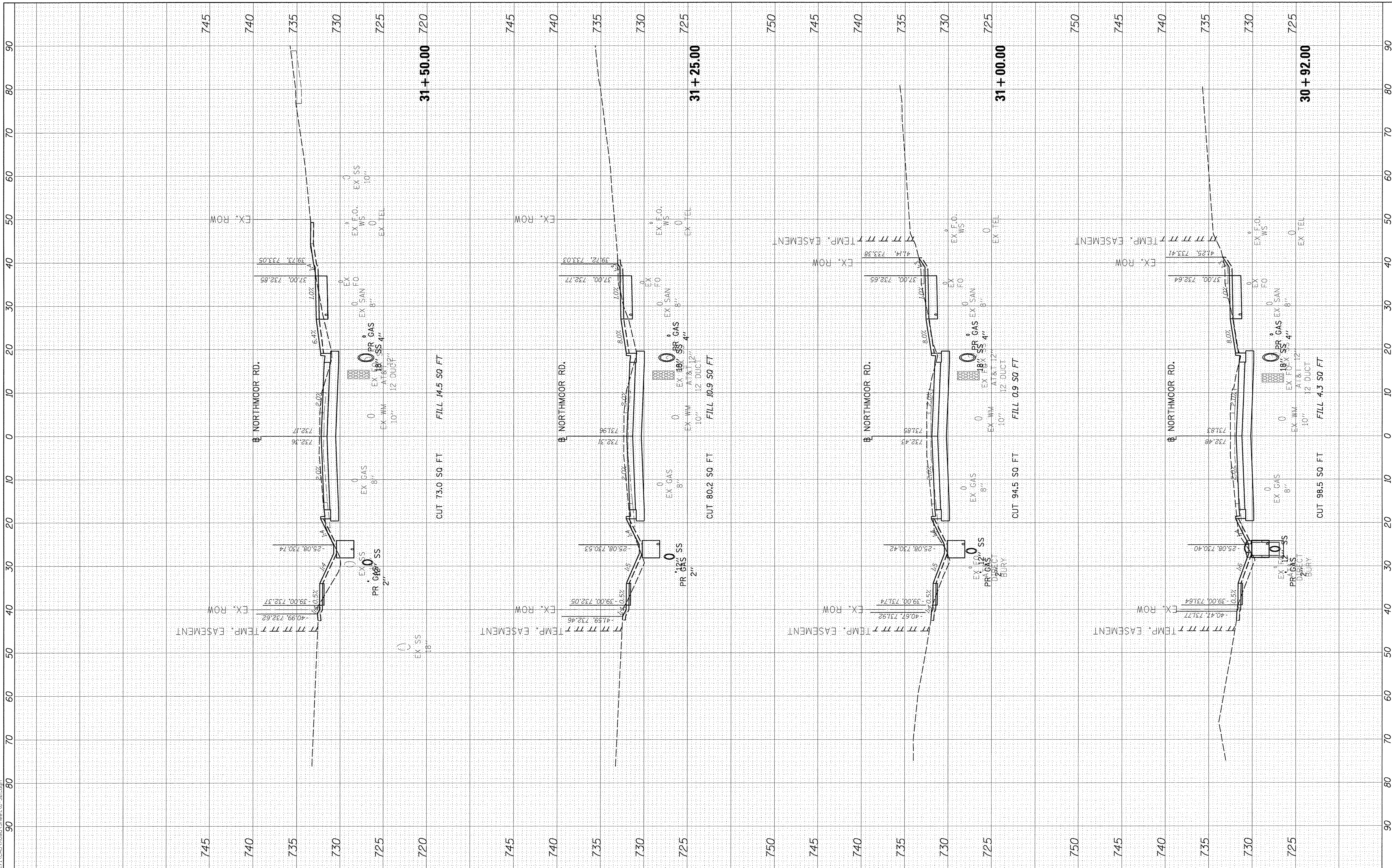
F.A.U. RTE.	SECTION	COUNTY	TOTAL SHEETS	SHEET NO.
6647	05-00302-00-PV	PEORIA	385	285
CONTRACT			No.89386	
ILLINOIS FED. AID PROJECT			M-50931(36)	

FINAL SURVEY	DATE
SURVEYED	
PLOTTED	
NOTE BOOK	
AREAS CHECKED	
NO.	



ORIGINAL SURVEY	DATE
SURVEYED	
PLOTTED	
NOTE BOOK	
AREAS CHECKED	
NO.	

LAYOUT	DLC	3/10/17
DRAWN	DLC	3/10/17
REVIEWED	MGD	3/14/17



FILE NAME = I:\13\jobs\13L0171\CAD\Road\Sheet\c-301.dgn

USER NAME = carr01216
 PLOT SCALE = 10.0000' / in.
 PLOT DATE = 3/22/2017

DESIGNED - DLC
 DRAWN - DLC
 CHECKED - MGD
 DATE - 03/22/17

REVISED -
 REVISED -
 REVISED -
 REVISED -

**STATE OF ILLINOIS
 DEPARTMENT OF TRANSPORTATION**

SCALE: 1=5V:1=10H SHEET OF SHEETS STA. 30+92.00 TO STA. 31+50.00

**NORTHMOOR ROAD
 CROSS SECTIONS**

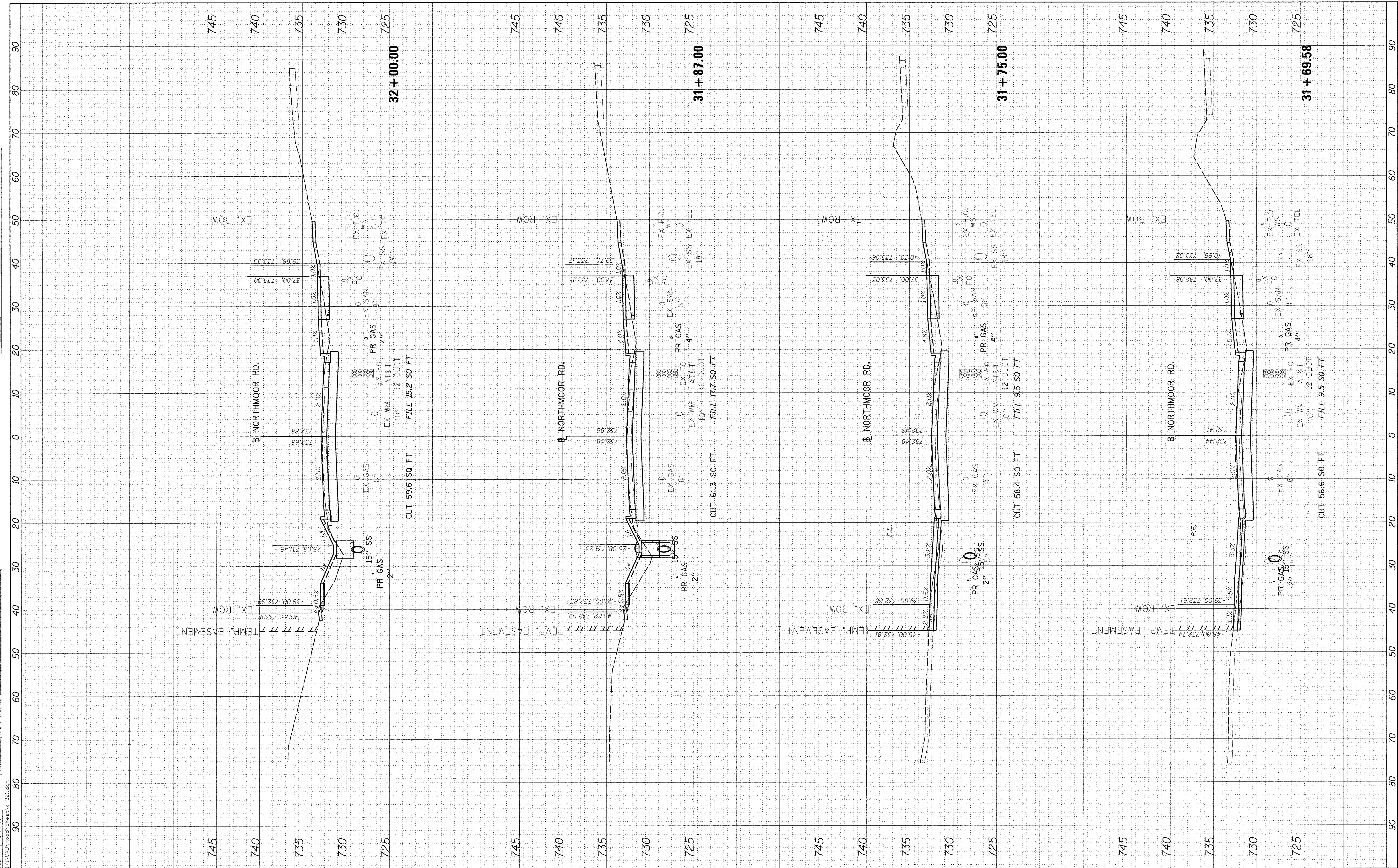
F.A.U. RTE.	SECTION	COUNTY	TOTAL SHEETS	SHEET NO.
6647	05-00302-00-PV	PEORIA	385	286
CONTRACT NO.89386				
ILLINOIS FED. AID PROJECT			M-5093(136)	

FINAL SURVEY	SURVEYED	BY	DATE
NOTE BOOK	PLOTTED		
NO.	AREAS CHECKED		



ORIGINAL SURVEY	SURVEYED	BY	DATE
NOTE BOOK	PLOTTED		
NO.	AREAS CHECKED		

LAYOUT	DLC	3/10/17
DRAWN	DLC	3/10/17
REVIEWED	MGD	3/14/17



FILE NAME = I:\13\jobs\1310171\CAD\Road\Sheet\c-301.dgn
 USER NAME = carr01216
 DESIGNED - DLC
 DRAWN - DLC
 CHECKED - MGD
 DATE - 03/22/17

REVISIONS	NO.	DESCRIPTION

STATE OF ILLINOIS
DEPARTMENT OF TRANSPORTATION

NORTHMOOR ROAD
CROSS SECTIONS

SCALE: 1"=5V:1"=10H SHEET OF SHEETS STA. 31+69.58 TO STA. 32+00.00

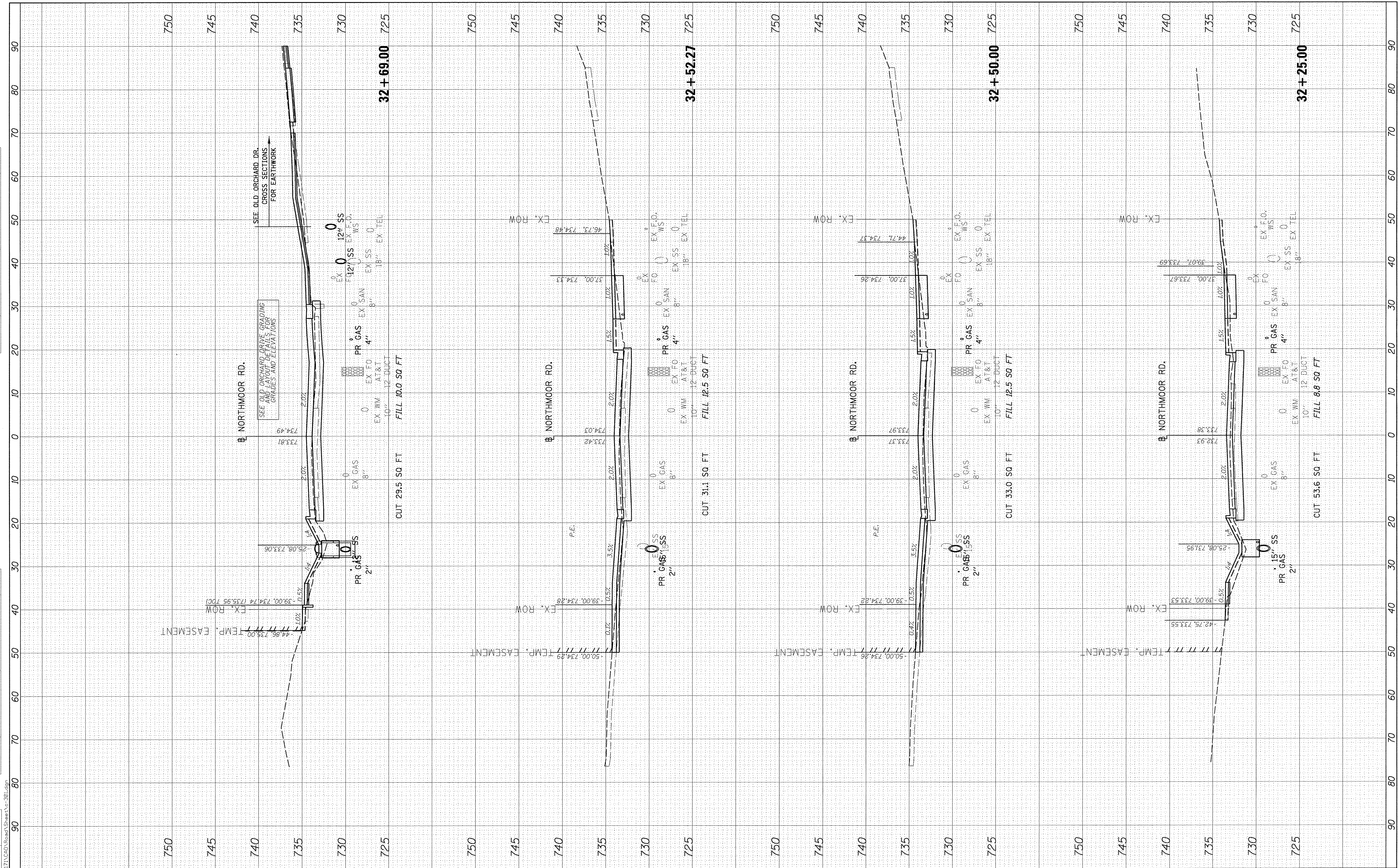
F.A.U. RTE.	SECTION	COUNTY	TOTAL SHEETS	SHEET NO.
6647	05-00302-00-PV	PEORIA	385	287
CONTRACT NO.89386				ILLINOIS FED. AID PROJECT M-5093136

FINAL SURVEYED	BY	DATE
NOTE BOOK		
TEMPLATE		
AREAS CHECKED		
NO.		



ORIGINAL SURVEY	BY	DATE
NOTE BOOK		
TEMPLATE		
AREAS CHECKED		
NO.		

LAYOUT	DLC	3/10/17
DRAWN	DLC	3/10/17
REVIEWED	MGD	3/14/17



FILE NAME = I:\13jobs\131071\CAD\Road\Sheet\c-301.dgn
 USER NAME = carr01216
 PLOT SCALE = 10.0000' / 1"
 PLOT DATE = 3/22/2017

DESIGNED - DLC
 DRAWN - DLC
 CHECKED - MGD
 DATE - 03/22/17

REVISED -
 REVISED -
 REVISED -
 REVISED -

**STATE OF ILLINOIS
 DEPARTMENT OF TRANSPORTATION**

**NORTHMOOR ROAD
 CROSS SECTIONS**

SCALE: 1=5V:1=10H SHEET OF SHEETS STA. 32+25.00 TO STA. 32+69.00

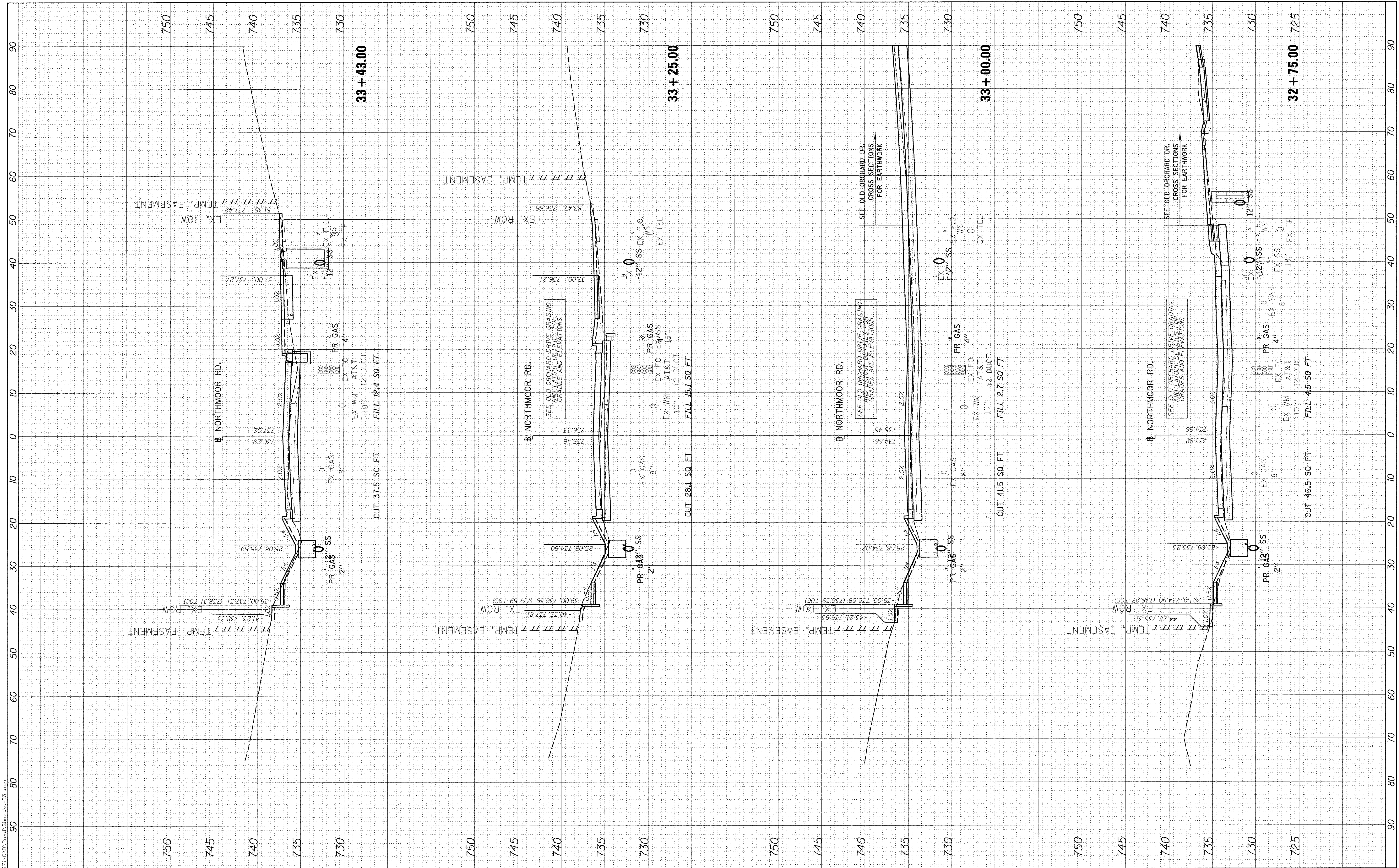
F.A.U. RTE.	SECTION	COUNTY	TOTAL SHEETS	SHEET NO.
6647	05-00302-00-PV	PEORIA	385	288
CONTRACT NO.89386				
ILLINOIS FED. AID PROJECT				M-5093(136)

FINISH	SURVEYED	BY	DATE
SURVEY	PLOTTED		
NOTE BOOK	TEMPLATE		
NO.	AREAS CHECKED		



ORIGINAL	SURVEY	BY	DATE
NOTE BOOK	TEMPLATE		
NO.	AREAS CHECKED		

LAYOUT	DLC	3/10/17
DRAWN	DLC	3/10/17
REVIEWED	MGD	3/14/17



FILE NAME = I:\13jobs\131071\CAD\Road\Sheet\c-301.dgn
 USER NAME = corr0216
 PLOT SCALE = 10.0000' / in.
 PLOT DATE = 3/22/2017

DESIGNED - DLC
 DRAWN - DLC
 CHECKED - MGD
 DATE - 03/22/17

REVISOR -
 REVISION -
 REVISOR -
 REVISION -

**STATE OF ILLINOIS
 DEPARTMENT OF TRANSPORTATION**

**NORTHMOOR ROAD
 CROSS SECTIONS**

SCALE: 1=5V:1=10H SHEET OF SHEETS STA. 32+75.00 TO STA. 33+43.00

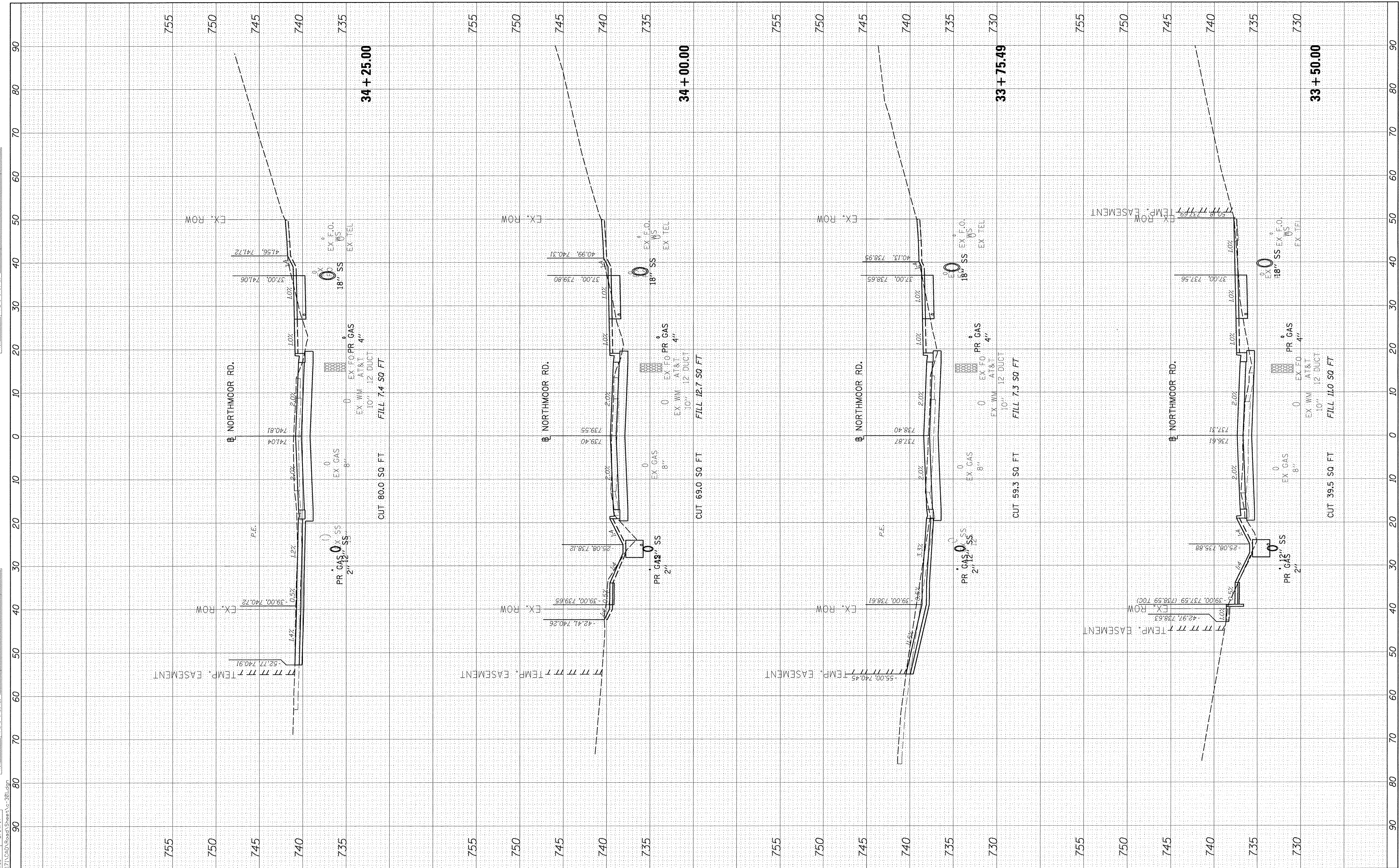
F.A.U. RTE.	SECTION	COUNTY	TOTAL SHEETS	SHEET NO.
6647	05-00302-00-PV	PEORIA	385	289
CONTRACT NO.89386			ILLINOIS FED. AID PROJECT M-509311361	

FINAL SURVEY	BY	DATE
SURVEYED		
PLOTTED		
NOTE BOOK		
AREAS CHECKED		
NO.		



ORIGINAL SURVEY	BY	DATE
SURVEYED		
PLOTTED		
NOTE BOOK		
AREAS CHECKED		
NO.		

LAYOUT	DLC	3/10/17
DRAWN	DLC	3/10/17
REVIEWED	MGO	3/14/17



FILE NAME = I:\13\jobs\1310171\CAD\Road\Sheet\c-301.dgn
 USER NAME = carr01216
 PLOT SCALE = 10.00000' / 1"
 PLOT DATE = 3/22/2017

DESIGNED	-	DLC	REVISED	-
DRAWN	-	DLC	REVISED	-
CHECKED	-	MGO	REVISED	-
DATE	-	03/22/17	REVISED	-

**STATE OF ILLINOIS
DEPARTMENT OF TRANSPORTATION**

**NORTHMOOR ROAD
CROSS SECTIONS**

SCALE: 1=5V:1=10H SHEET OF SHEETS STA. 33+50.00 TO STA. 34+25.00

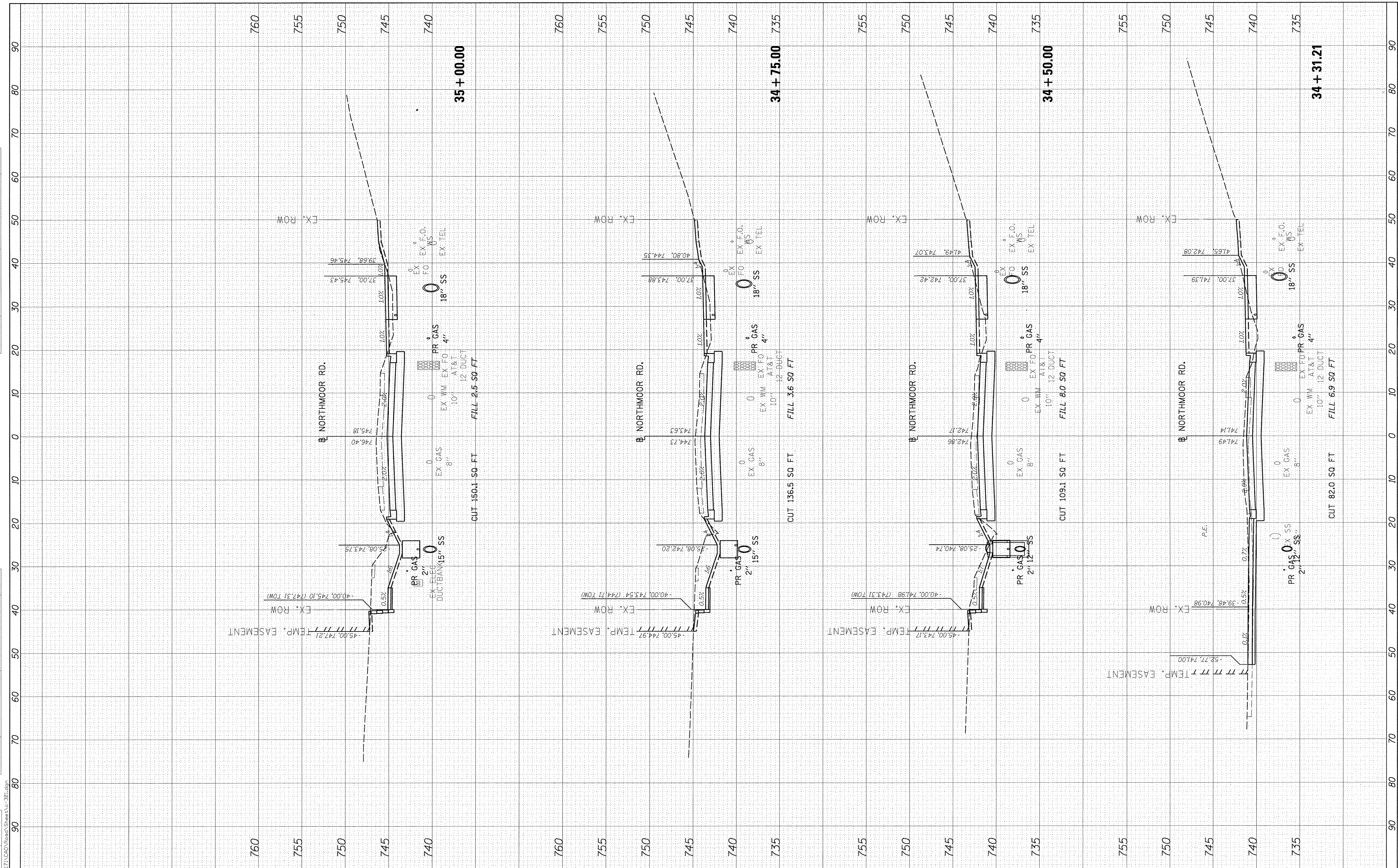
F.A.U. RTE.	SECTION	COUNTY	TOTAL SHEETS	SHEET NO.
6647	05-00302-00-PV	PEORIA	385	290
CONTRACT NO.89386				
ILLINOIS FED. AID PROJECT				M-5093(136)

FINAL SURVEY	NO. _____
SURVEYED	DATE _____
BY	BY _____
NOTE BOOK	NO. _____
TEMPERATURE	DATE _____
AREAS CHECKED	BY _____
AREAS CHECKED	NO. _____



ORIGINAL SURVEY	DATE _____
NO. _____	BY _____
NOTE BOOK	NO. _____
TEMPERATURE	DATE _____
AREAS CHECKED	BY _____
AREAS CHECKED	NO. _____

LAYOUT	DLC	3/10/17
DRAWN	DLC	3/10/17
REVIEWED	MOD	3/14/17



FILE NAME = I:\13\jobs\13L0171\CAD\Road\Sheet\c-301.dgn
 USER NAME = carr@216
 DESIGNED - DLC
 DRAWN - DLC
 CHECKED - MGD
 PLOT SCALE = 10.0000' / 1"
 PLOT DATE 3/22/2017

REVISOR -
 REVISION -
 REVISION -
 REVISION -
 REVISION -
 REVISION -

**STATE OF ILLINOIS
 DEPARTMENT OF TRANSPORTATION**

**NORTHMOOR ROAD
 CROSS SECTIONS**

SCALE: 1"=5V:1"=10H SHEET OF SHEETS STA. 34+31.21 TO STA. 35+00.00

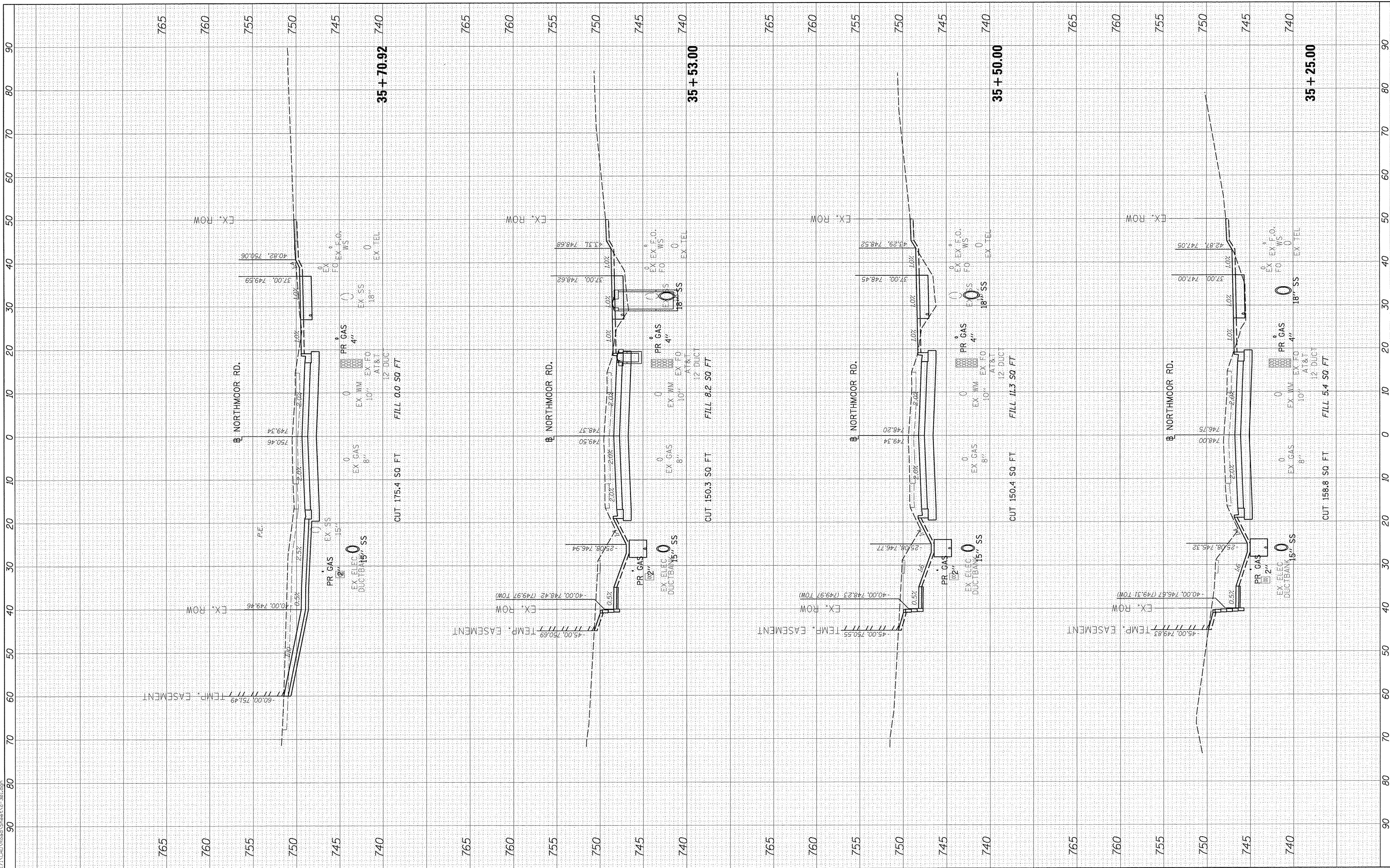
F.A.U. RTE.	SECTION	COUNTY	TOTAL SHEETS	SHEET NO.
6647	05-00302-00-PV	PEORIA	385	291
CONTRACT NO.89386				
ILLINOIS FED. AID PROJECT				M-5093(136)

FINAL SURVEY	SURVEYED	BY	DATE
PLOTTED	PLOTTED		
NOTE BOOK	NOTE BOOK		
AREAS CHECKED	AREAS CHECKED		
NO.	NO.		



ORIGINAL SURVEY	SURVEYED	BY	DATE
PLOTTED	PLOTTED		
NOTE BOOK	NOTE BOOK		
AREAS CHECKED	AREAS CHECKED		
NO.	NO.		

LAYOUT	DLC	3/10/17
DRAWN	DLC	3/10/17
REVIEWED	MCD	3/14/17



FILE NAME = J:\13\jobs\13L\0171\CAD\Road\Sheet\c-301.dgn
 USER NAME = carr01216
 PLOT SCALE = 10.0000' / 1"
 PLOT DATE = 3/22/2017

DESIGNED	-	DLC
DRAWN	-	DLC
CHECKED	-	MCD
DATE	-	03/22/17

REVISED	-
REVISED	-
REVISED	-
REVISED	-

**STATE OF ILLINOIS
DEPARTMENT OF TRANSPORTATION**

**NORTHMOOR ROAD
CROSS SECTIONS**

SCALE: 1"=5V:1"=10H SHEET OF SHEETS STA. 35+25.00 TO STA. 35+70.92

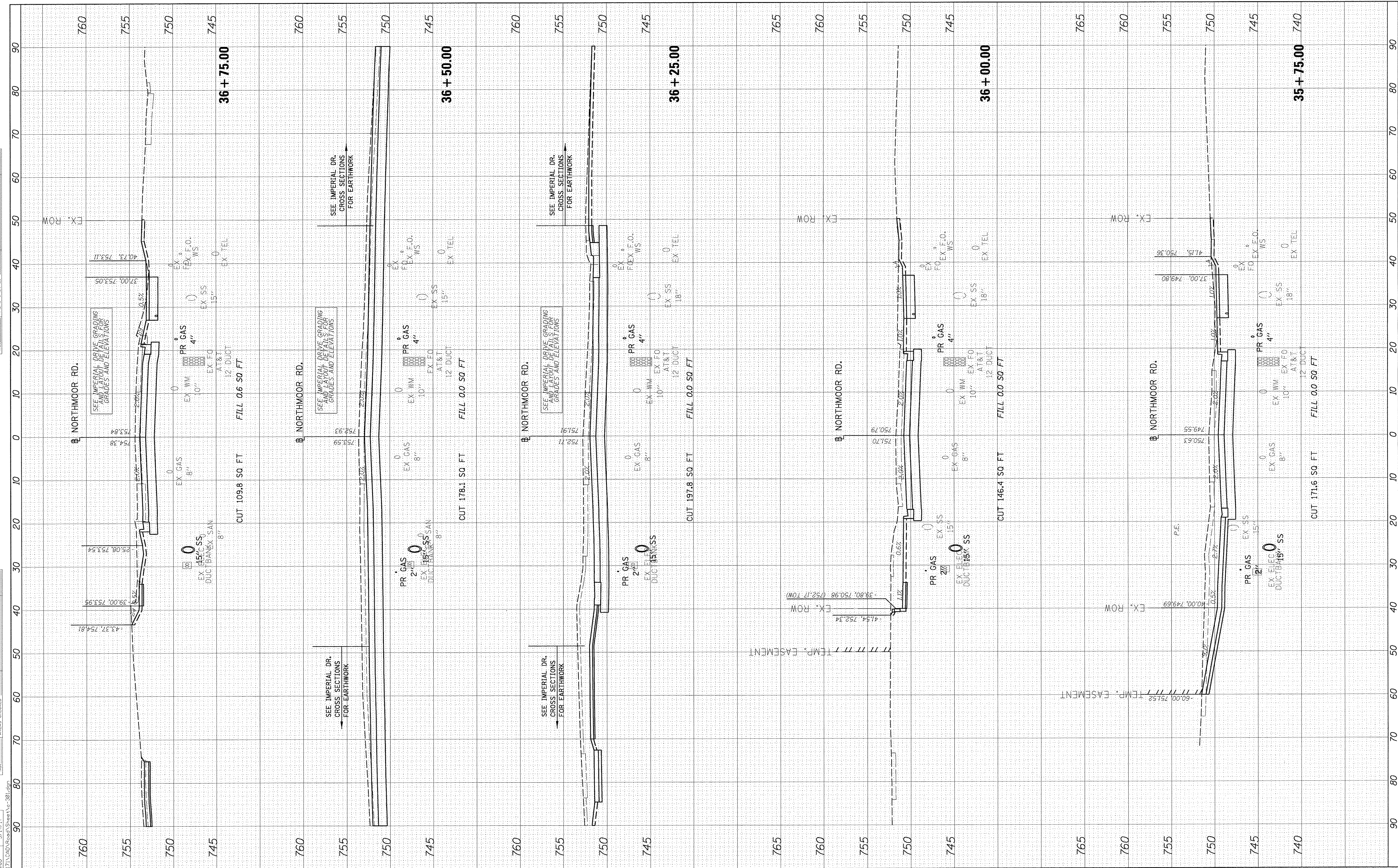
F.A.U. RTE.	SECTION	COUNTY	TOTAL SHEETS	SHEET NO.
6647	05-00302-00-PV	PEORIA	385	292
CONTRACT NO.89386				
ILLINOIS FED. AID PROJECT				M-50931(136)

FINAL SURVEYED PLOTTED DATE	BY	DATE
NOTE BOOK NO.		
AREAS CHECKED		



ORIGINAL SURVEY PLOTTED DATE	BY	DATE
NOTE BOOK NO.		
AREAS CHECKED		

LAYOUT	DLC	3/10/17
DRAWN	DLC	3/10/17
REVIEWED	MGD	3/14/17



FILE NAME = J:\13\jobs\13\071\CAD\Road\Sheet\c-301.dgn
 USER NAME = carr01216
 PLOT SCALE = 10.0000' / in.
 PLOT DATE = 3/22/2017

DESIGNED -	DLC	REVISED -	
DRAWN -	DLC	REVISED -	
CHECKED -	MGD	REVISED -	
DATE -	03/22/17	REVISED -	

**STATE OF ILLINOIS
DEPARTMENT OF TRANSPORTATION**

**NORTHMOOR ROAD
CROSS SECTIONS**

SCALE: 1"=5V:1"=10H SHEET OF SHEETS STA. 35+75.00 TO STA. 36+75.00

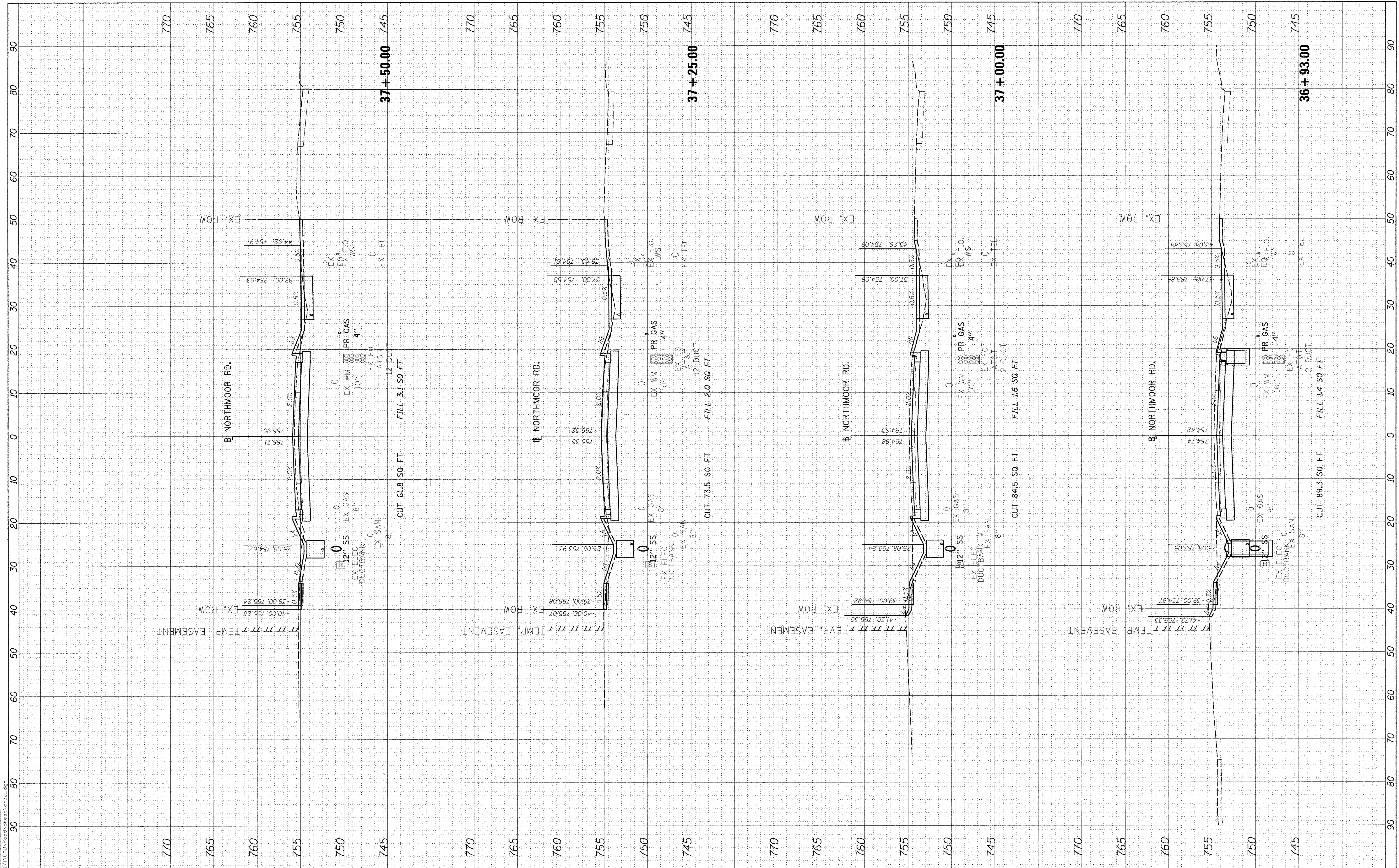
F.A.U. RTE.	SECTION	COUNTY	TOTAL SHEETS	SHEET NO.
6647	05-00302-00-PV	PEORIA	385	293
CONTRACT NO. 89386				
ILLINOIS FED. AID PROJECT				M-50931(36)

FINAL SURVEY	SURVEYED	BY	DATE
NOTE BOOK	PLOTTED		
NO.	TEMPLATE		
	AREAS CHECKED		



ORIGINAL SURVEY	SURVEYED	BY	DATE
NOTE BOOK	PLOTTED		
NO.	TEMPLATE		
	AREAS CHECKED		

LAYOUT	DLC	3/10/17
DRAWN	DLC	3/10/17
REVIEWED	MGD	3/14/17



FILE NAME = I:\13\jobs\13\071\CAD\Road\Sheet\c-301.dgn
 USER NAME = carr@1216
 PLOT SCALE = 10.0000' / in.
 PLOT DATE = 3/22/2017

DESIGNED -	DLC
DRAWN -	DLC
CHECKED -	MGD
DATE -	03/22/17

REVISED -	-
REVISED -	-
REVISED -	-
REVISED -	-

**STATE OF ILLINOIS
DEPARTMENT OF TRANSPORTATION**

**NORTHMOOR ROAD
CROSS SECTIONS**

SCALE: 1=5V:1=10H SHEET OF SHEETS STA. 36+93.00 TO STA. 37+50.00

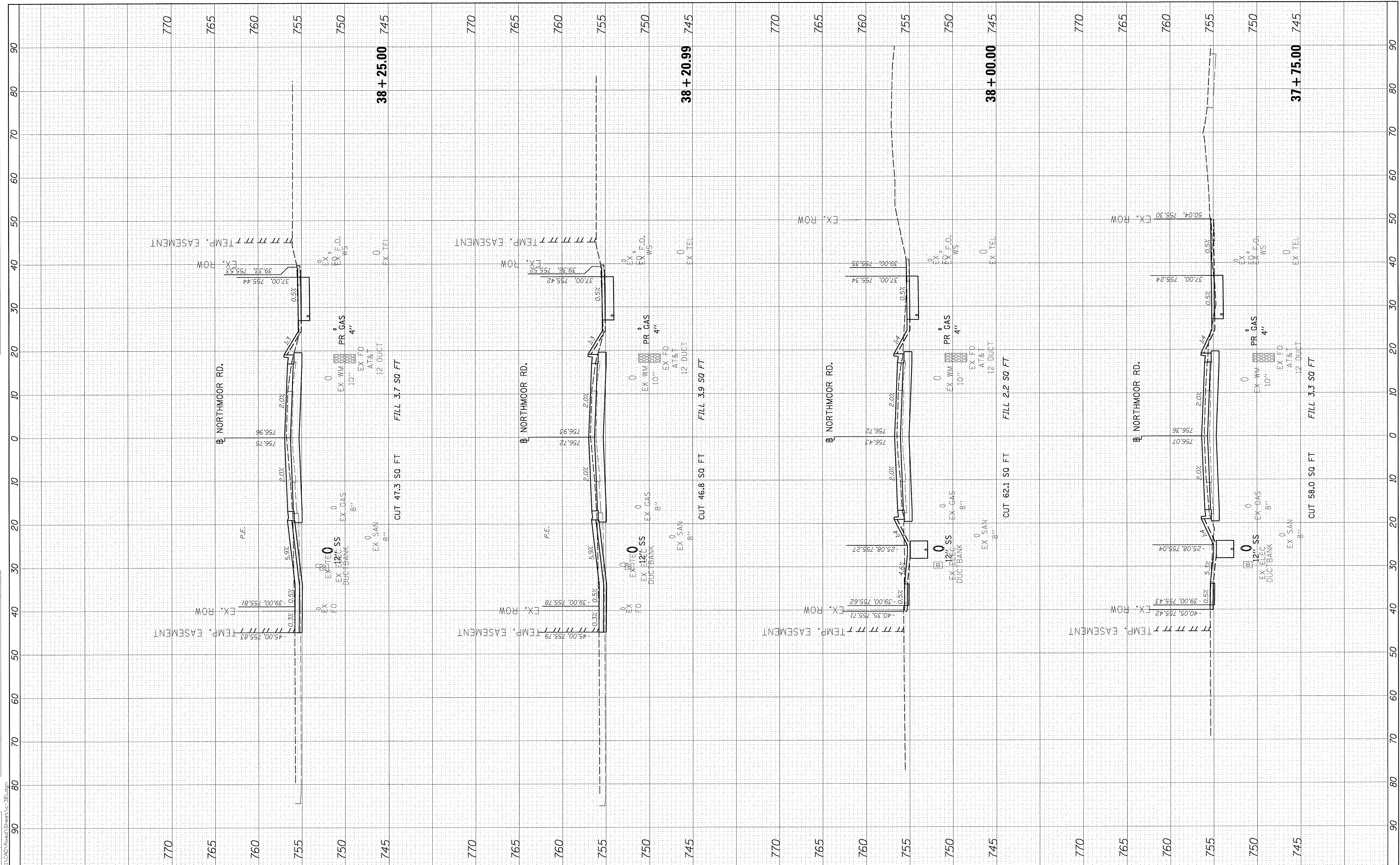
F.A.U. RTE.	SECTION	COUNTY	TOTAL SHEETS	SHEET NO.
6647	05-00302-00-PV	PEORIA	385	294
CONTRACT NO.89386			ILLINOIS FED. AID PROJECT M-50931361	

FINAL SURVEY	BY	DATE
SURVEYED		
TEMPLATE		
AREAS CHECKED		



ORIGINAL SURVEY	BY	DATE
NOTE BOOK		
AREAS CHECKED		

LAYOUT	DLC	3/10/17
DRAWN	DLC	3/10/17
REVIEWED	MGD	3/14/17



FILE NAME = I:\13\jobs\13L0171\CAD\Road\Sheet\c-301.dgn
 USER NAME = cor-r01216
 PLOT SCALE = 10.0000' / 1" = 100
 PLOT DATE = 3/22/2017

DESIGNED	-	DLC	REVISED	-
DRAWN	-	DLC	REVISED	-
CHECKED	-	MGD	REVISED	-
DATE	-	03/22/17	REVISED	-

**STATE OF ILLINOIS
DEPARTMENT OF TRANSPORTATION**

**NORTHMOOR ROAD
CROSS SECTIONS**

SCALE: 1"=5V; 1"=10H SHEET OF SHEETS STA. 37+75.00 TO STA. 38+25.00

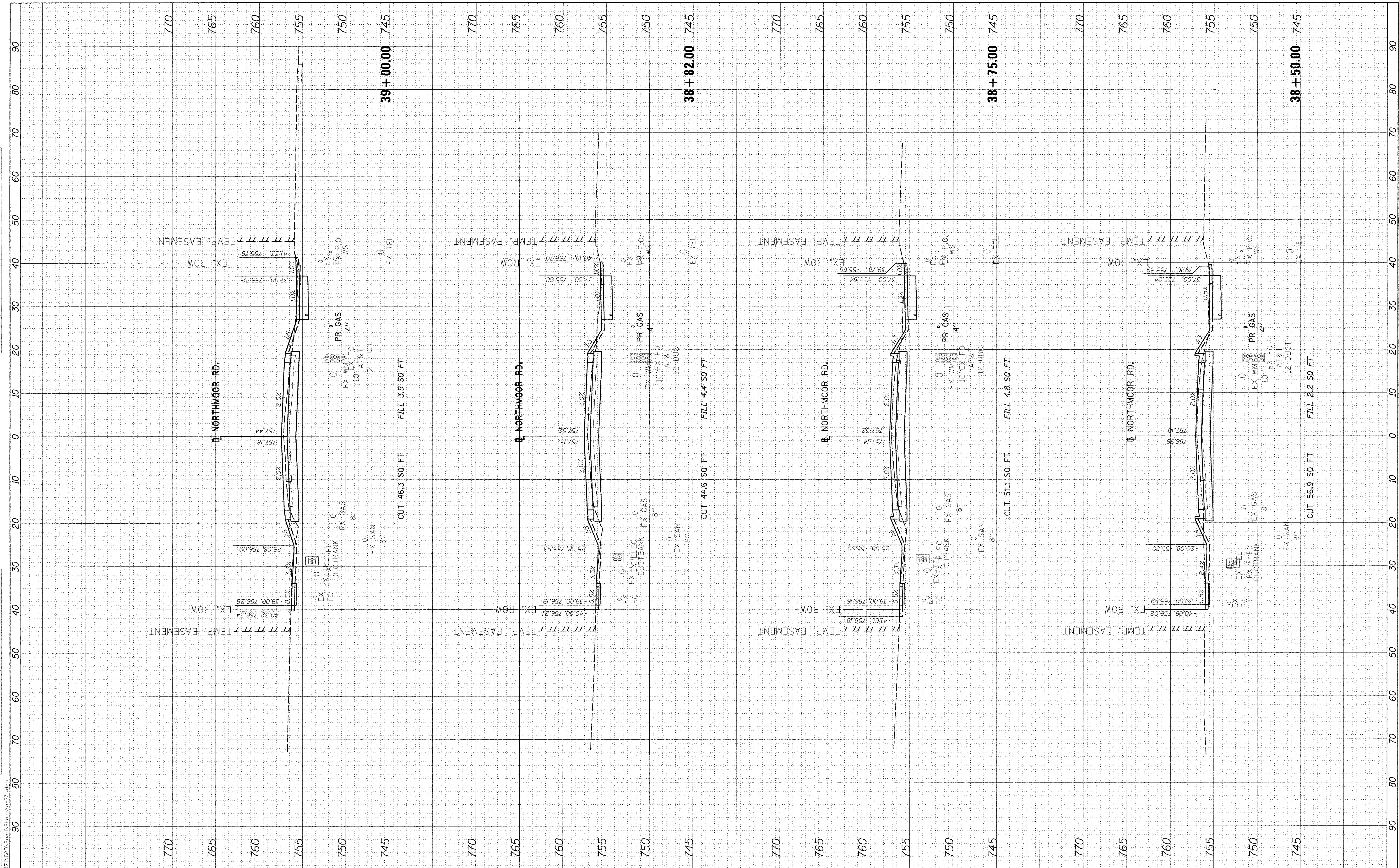
F.A.U. RTE.	SECTION	COUNTY	TOTAL SHEETS	SHEET NO.
6647	05-00302-00-PV	PEORIA	385	295
CONTRACT NO.89386				
ILLINOIS FED. AID PROJECT				M-509311361

FINAL SURVEY	BY	DATE
NOTE BOOK		
NO.		



ORIGINAL SURVEY	BY	DATE
NOTE BOOK		
NO.		

LAYOUT	DLC	3/10/17
DRAWN	DLC	3/10/17
REVIEWED	MGD	3/14/17



FILE NAME = I:\13\jobs\13L0171\CAD\Road\Sheet\c-301.dgn
 USER NAME = carr01216
 PLOT SCALE = 10.0000' / 1".
 PLOT DATE = 3/22/2017

DESIGNED	-	DLC	REVISÉ	-
DRAWN	-	DLC	REVISÉ	-
CHECKED	-	MGD	REVISÉ	-
DATE	-	03/22/17	REVISÉ	-

**STATE OF ILLINOIS
DEPARTMENT OF TRANSPORTATION**

**NORTHMOOR ROAD
CROSS SECTIONS**

SCALE: 1=5V:1=10H SHEET OF SHEETS STA. 38+50.00 TO STA. 39+00.00

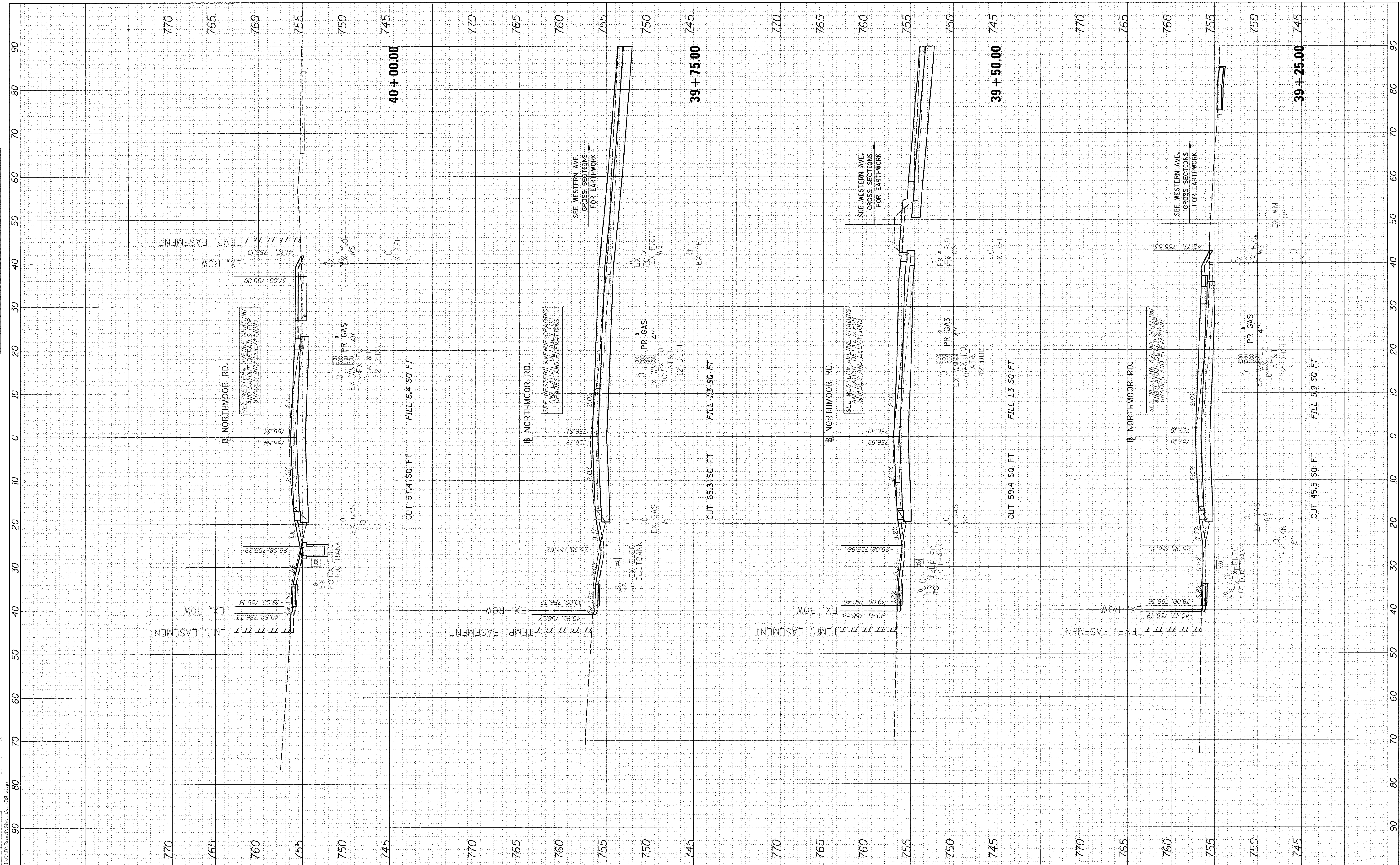
F.A.U. RTE.	SECTION	COUNTY	TOTAL SHEETS	SHEET NO.
6647	05-00302-00-PV	PEORIA	385	296
CONTRACT NO.89386			ILLINOIS FED. AID PROJECT M-5093(136)	

FINAL SURVEY	BY	DATE
NO. _____		
NO. _____		
NO. _____		
NO. _____		
NO. _____		



ORIGINAL SURVEY	BY	DATE
NO. _____		
NO. _____		
NO. _____		
NO. _____		
NO. _____		

LAYOUT	DLC	3/10/17
DRAWN	DLC	3/10/17
REVIEWED	MGD	3/14/17



FILE NAME = I:\13_jobs\13L0171\CA0\Road\Sheet\c-301.dgn
 USER NAME = car-r01216
 PLOT SCALE = 10.0000' / 1" = 100
 PLOT DATE = 3/22/2017

DESIGNED - DLC
 DRAWN - DLC
 CHECKED - MGD
 DATE - 03/22/17

REVISED -
 REVISED -
 REVISED -
 REVISED -

**STATE OF ILLINOIS
 DEPARTMENT OF TRANSPORTATION**

**NORTHMOOR ROAD
 CROSS SECTIONS**

SCALE: 1=5V:1=10H SHEET OF SHEETS STA. 39+25.00 TO STA. 40+00.00

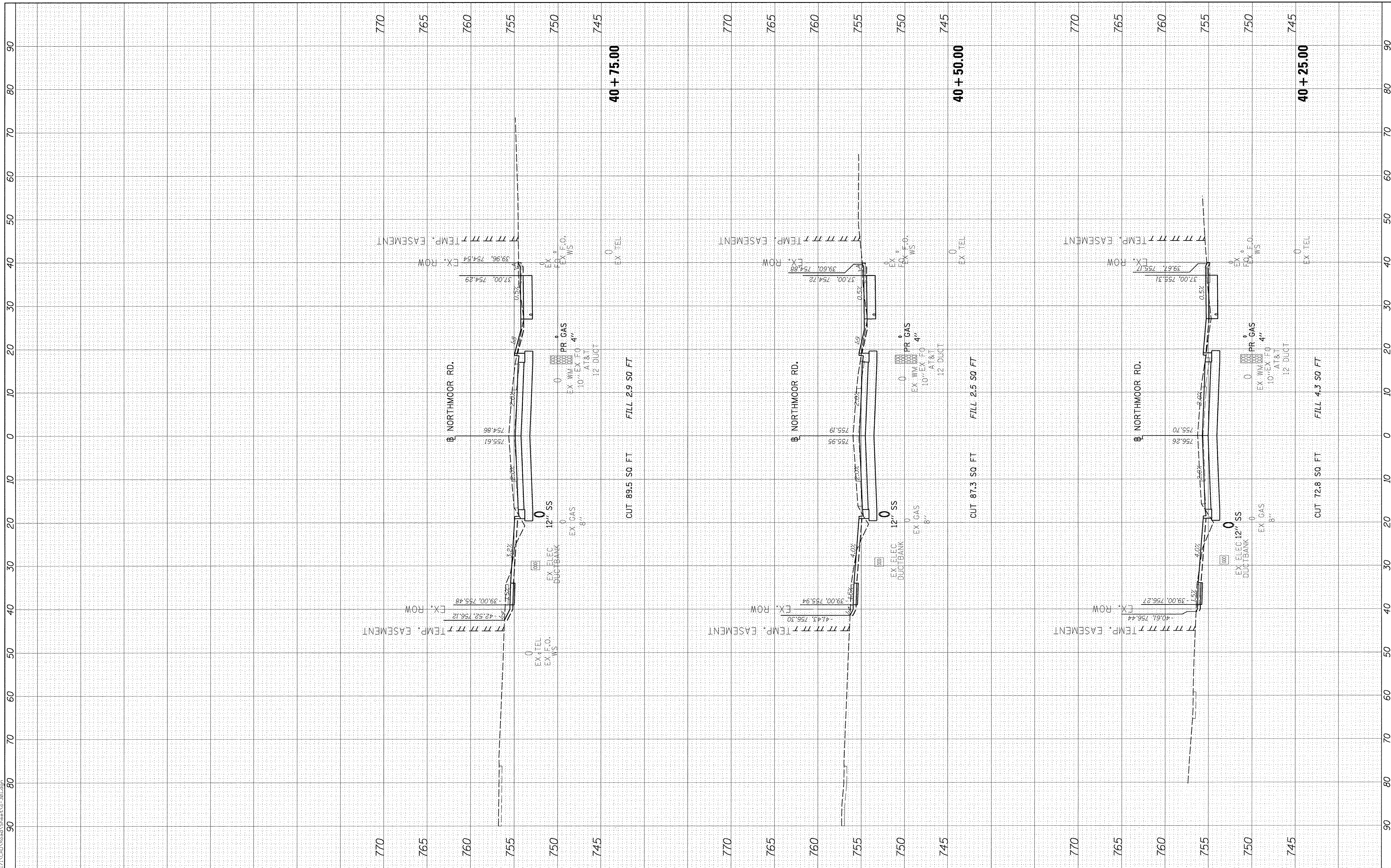
F.A.U. RTE.	SECTION	COUNTY	TOTAL SHEETS	SHEET NO.
6647	05-00302-00-PV	PEORIA	385	297
CONTRACT NO.89386			ILLINOIS FED. AID PROJECT M-5093(136)	

FINAL SURVEY	SURVEYED	BY	DATE
NOTE BOOK	PLOTTED		
AREAS CHECKED	TEMPLATE		
	AREAS CHECKED		



ORIGINAL SURVEY	SURVEYED	BY	DATE
NOTE BOOK	PLOTTED		
AREAS CHECKED	TEMPLATE		
	AREAS CHECKED		

LAYOUT	DLC	3/10/17
DRAWN	DLC	3/10/17
REVIEWED	MGD	3/14/17



FILE NAME = I:\13\jobs\13\10171\CAD\Road\Sheet\c-301.dgn
 USER NAME = cor01216
 PLOT SCALE = 10.0000' / in.
 PLOT DATE = 3/22/2017

DESIGNED	-	DLC
DRAWN	-	DLC
CHECKED	-	MGD
DATE	-	03/22/17

REVISED	-
REVISED	-
REVISED	-
REVISED	-

**STATE OF ILLINOIS
DEPARTMENT OF TRANSPORTATION**

**NORTHMOOR ROAD
CROSS SECTIONS**

SCALE: 1=5V:1=10H SHEET OF SHEETS STA. 40+25.00 TO STA. 40+75.00

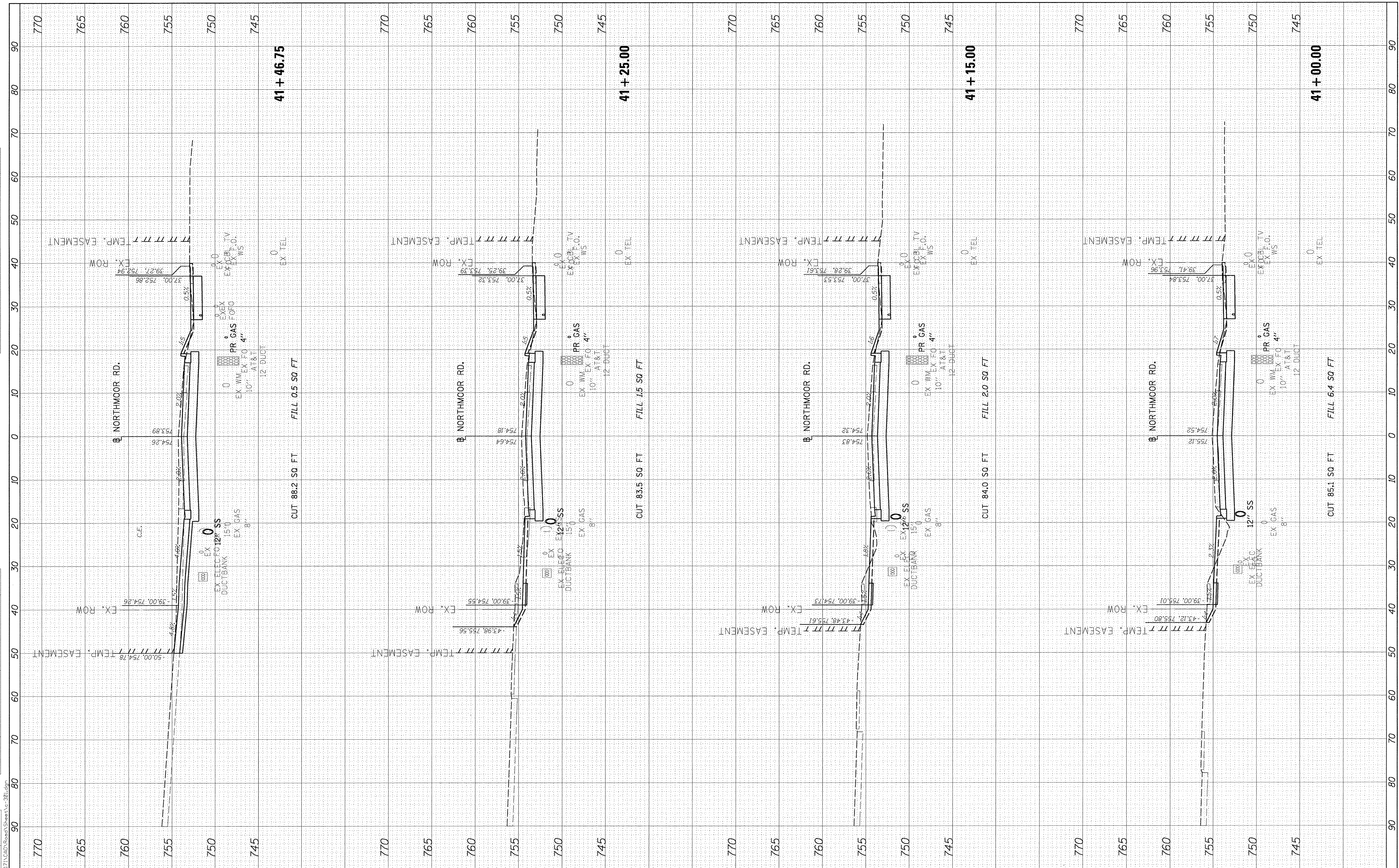
F.A.U. RTE.	SECTION	COUNTY	TOTAL SHEETS	SHEET NO.
6647	05-00302-00-PV	PEORIA	385	298
CONTRACT NO.89386				
ILLINOIS FED. AID PROJECT				M-5093(136)

FINAL SURVEY	SURVEYED	BY	DATE
NOTE BOOK	TEMP. EASEMENT		
AREAS CHECKED			



ORIGINAL SURVEY	SURVEYED	BY	DATE
NOTE BOOK	TEMP. EASEMENT		
AREAS CHECKED			

LAYOUT	DLC	3/10/17
DRAWN	DLC	3/10/17
REVIEWED	MCD	3/14/17



FILE NAME = I:\13\jobs\13\0171\CAD\Road\Sheet\c-301.dgn
 USER NAME = car-01216
 PLOT SCALE = 10.0000' / 1"
 PLOT DATE = 3/22/2017

DESIGNED - DLC
 DRAWN - DLC
 CHECKED - MCD
 DATE - 03/22/17

REVISED -
 REVISED -
 REVISED -
 REVISED -

**STATE OF ILLINOIS
 DEPARTMENT OF TRANSPORTATION**

**NORTHMOOR ROAD
 CROSS SECTIONS**

SCALE: 1=5V:1=10H SHEET OF SHEETS STA. 41+00.00 TO STA. 41+46.75

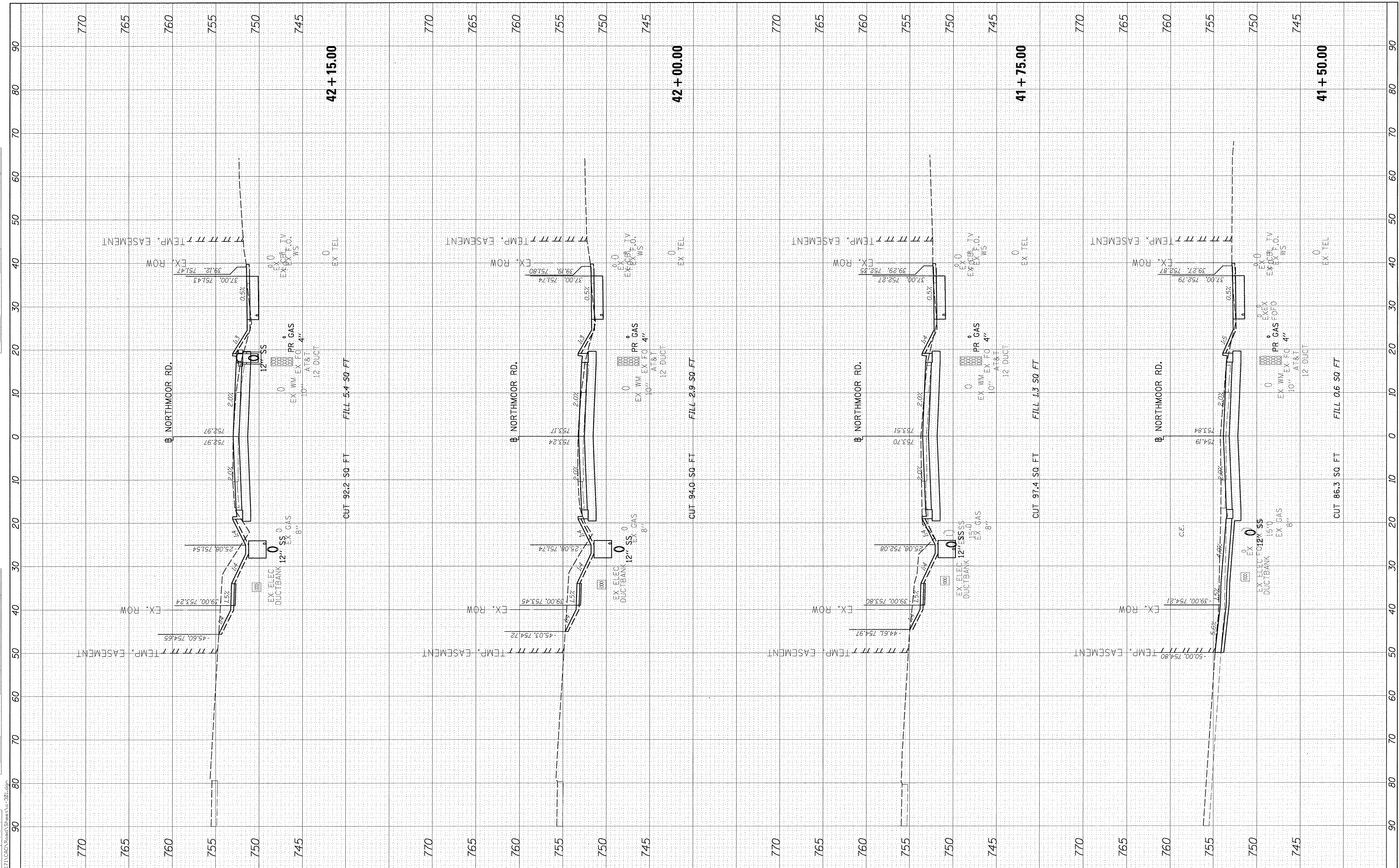
F.A.U. RTE.	SECTION	COUNTY	TOTAL SHEETS	SHEET NO.
6647	05-00302-00-PV	PEORIA	385	299
CONTRACT			NO.89386	
ILLINOIS FED. AID PROJECT			M-50931361	

FINAL SURVEY	SURVEYED	BY	DATE
NOTE BOOK	TEMP. EASEMENT		
NO.	AREAS CHECKED		



ORIGINAL SURVEY	SURVEYED	BY	DATE
NOTE BOOK	TEMP. EASEMENT		
NO.	AREAS CHECKED		

LAYOUT	DLC	3/10/17
DRAWN	DLC	3/10/17
REVIEWED	MGD	3/14/17



FILE NAME = I:\13\jobs\13L0171\CA0V\Road\Sheet\c-301.dgn
 USER NAME = carr01216
 PLOT SCALE = 10.0000' / 1" = 100'
 PLOT DATE = 3/22/2017

DESIGNED - DLC
 DRAWN - DLC
 CHECKED - MGD
 DATE - 03/22/17

REVISED -
 REVISED -
 REVISED -
 REVISED -

**STATE OF ILLINOIS
 DEPARTMENT OF TRANSPORTATION**

**NORTHMOOR ROAD
 CROSS SECTIONS**
 SCALE: 1=5V:1=10H SHEET OF SHEETS STA. 41+50.00 TO STA. 42+15.00

F.A.U. RTE.	SECTION	COUNTY	TOTAL SHEETS	SHEET NO.
6647	05-00302-00-PV	PEORIA	385	300
CONTRACT NO.89386			ILLINOIS FED. AID PROJECT M-5093(136)	