

STATE OF ILLINOIS  
DEPARTMENT OF TRANSPORTATION

F.A.I. RTE.	SECTION	COUNTY	TOTAL SHEETS	SHEET NO.
74	D5 GR 2023-1	VERMILION	8	1
		ILLINOIS	CONTRACT NO. 70G27	

# PROPOSED HIGHWAY PLANS

FOR INDEX OF SHEETS, SEE SHEET NO. 2

FAI ROUTE 74 / I-74  
SECTION D5 GR 2023-1  
PROJECT COVD-ODVG(754)  
GUARDRAIL MEDIAN CABLE  
IMPROVEMENTS  
VERMILION COUNTY

C-95-014-23

OAKWOOD ST. TO 1.2 MI E. AT OAKWOOD

CURRENT TRAFFIC DATA				
FAI 74 / (I-74)	ADT (2023)	PV %	SU %	MU %
LEG "A"	= 25,100	67.2	3.3	29.5
LEG "B"	= 2,200	70.4	8.0	21.6

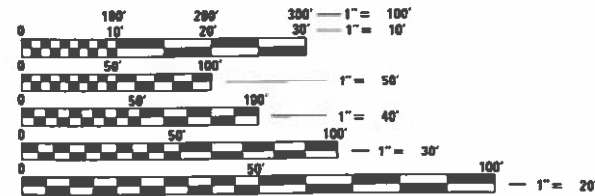
TRAFFIC DATA LOCATIONS

LEG "A" = I-74 EAST OF FAS 331 (OAKWOOD ST.)  
LEG "B" = FAS 331 TO I-74 EASTBOUND RAMP

FUNCTIONAL CLASSIFICATION  
INTERSTATE

DESIGN DESIGNATION  
NA

TOWNSHIPS: OAKWOOD



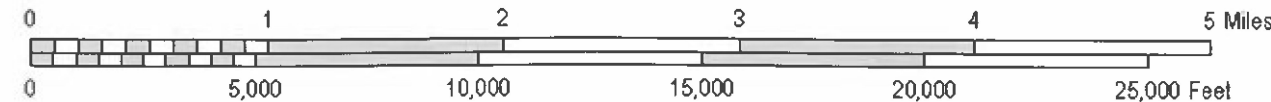
FULL SIZE PLANS HAVE BEEN PREPARED USING STANDARD ENGINEERING SCALES. REDUCED SIZED PLANS WILL NOT CONFORM TO STANDARD SCALES. IN MAKING MEASUREMENTS ON REDUCED PLANS, THE ABOVE SCALES MAY BE USED.

J.U.L.I.E.  
JOINT UTILITY LOCATION INFORMATION FOR EXCAVATORS  
1-800-892-0123  
OR 811

PROJECT ENGINEER: JASON STULTS  
SQUAD LEADER: GREG EAGLIN  
PROJECT DESIGNER: STEVEN WOOD  
PHONE: (217) 465-4181  
CONTRACT NO. 70G27

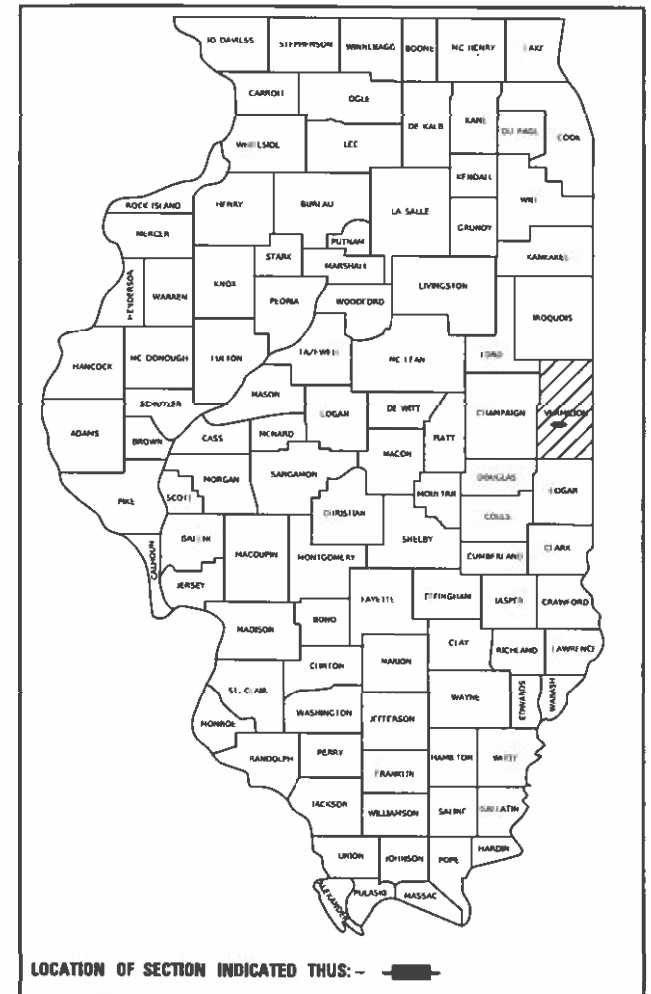


SCALE FOR MAIN MAP



GROSS LENGTH = 6,401.25 FT. = 1.212 MILE  
NET LENGTH = 6,401.25 FT. = 1.212 MILE

D-95-014-23



STATE OF ILLINOIS  
DEPARTMENT OF TRANSPORTATION

SUBMITTED 3/15 20 23  
Kerrie A. Harriott sun REGIONAL ENGINEER

May 12, 2023 [Signature] ENGINEER OF DESIGN AND ENVIRONMENT

May 12, 2023 [Signature] DIRECTOR OF HIGHWAYS PROJECT IMPLEMENTATION

PRINTED BY THE AUTHORITY  
OF THE STATE OF ILLINOIS

## INDEX OF SHEETS

<u>SHEET NO.</u>	<u>DESCRIPTION</u>
1	COVER SHEET
2	INDEX OF SHEETS
2	LIST OF HIGHWAY STANDARDS
2	GENERAL NOTES
3	SUMMARY OF QUANTITIES
4	EXISTING AND PROPOSED TYPICAL CROSS SECTIONS
5	SCHEDULE OF QUANTITIES
6 - 8	PLAN SHEETS

## GENERAL NOTES

G.N.-100A  
ELECTRONIC FILES AND/OR ELECTRONIC SURVEY INFORMATION INCLUDING CADD FILES WILL NOT BE AVAILABLE TO THE CONTRACTOR.

### COMMITMENTS

THERE ARE NO COMMITMENTS FOR THIS CONTRACT.

## LIST OF HIGHWAY STANDARDS

<u>STANDARD NO.</u>	<u>NAME OF STANDARD</u>
000001-08	STANDARD SYMBOLS, ABBREVIATIONS AND PATTERNS
001006	DECIMAL OF AN INCH AND OF A FOOT
701101-05	OFF-RD OPERATIONS, MULTILANE, 15' TO 24" FROM PAVEMENT EDGE
701106-02	OFF-RD OPERATIONS, MULTILANE, MORE THAN 15' (4.5m) AWAY
701400-11	APPROACH TO LANE CLOSURE, FREEWAY/EXPRESSWAY
701406-13	LANE CLOSURE, FREEWAY/EXPRESSWAY, DAY OPERATIONS ONLY
701426-09	LANE CLOSURE, MULTILANE, INTERMITTENT OR MOVING OPER., FOR SPEEDS ≥ 45 MPH
701428-01	TRAFFIC CONTROL SETUP AND REMOVAL FREEWAY/EXPRESSWAY
701901-08	TRAFFIC CONTROL DEVICES
782006-01	GUARDRAIL AND BARRIER WALL REFLECTOR MOUNTING DETAILS

MODEL: \\MODEL\MAME  
 FILE: \\MAILS\_P\public\paw\_bentley.com\FW\DOT\Documents\DOT\_Offices\Dir\dir: S:\Project\0570G27\CADD\DATA\CADD\Sheet\0570G27-sh-Cennote.dgn

USER NAME = Steven.Wood	DESIGNED -	REVISED -
	DRAWN -	REVISED -
PLOT SCALE = 40,0000 */ in.	CHECKED -	REVISED -
PLOT DATE = 3/15/2023	DATE -	REVISED -

**STATE OF ILLINOIS  
DEPARTMENT OF TRANSPORTATION**

### INDEX OF SHEETS, LIST OF HIGHWAY STANDARDS, GENERAL NOTES

SCALE: SHEET 1 OF 1 SHEETS STA. TO STA.

F.A.I. RTE.	SECTION	COUNTY	TOTAL SHEETS	SHEET NO.
74	D5 GR 2023-1	VERMILION	8	2
				CONTRACT NO. 70G27
		ILLINOIS	FED. AID PROJECT	

## SUMMARY OF QUANTITIES

LOCATION OF WORK: FAI 74 / (I-74)  
 RURAL 4 LANE  
 COUNTY: VERMILION  
 STA. 1509+25.00  
 TO  
 STA. 1573+26.25  
 FUNDING BREAKOUT: 100% FED

CONSTRUCTION CODE: 0021

CODE NO	ITEM	UNIT	TOTAL QUANTITY
67100100	MOBILIZATION	L SUM	1.0
70100700	TRAFFIC CONTROL AND PROTECTION, STANDARD 701406	L SUM	1.0
70107025	CHANGEABLE MESSAGE SIGN	CAL DA	6.0
78200021	HIGH TENSION CABLE MEDIAN BARRIER REFLECTORS	EACH	26.0
X0800003	COARSE AGGREGATE BACKFILL (SPECIAL)	CU YD	66.0
X6440160	REPAIR HIGH TENSION CABLE (TRINITY)	FOOT	6,402.0
Z0013798	CONSTRUCTION LAYOUT	L SUM	1.0

\* SPECIALTY ITEM

MODEL: I:\MODEL\MNF\...  
 FILE NAME: ...  
 PROJECT: ...

USER NAME = Steven.Wood	DESIGNED -	REVISED -
	DRAWN -	REVISED -
PLOT SCALE = 40,0000 * / in.	CHECKED -	REVISED -
PLOT DATE = 3/15/2023	DATE -	REVISED -

**STATE OF ILLINOIS  
 DEPARTMENT OF TRANSPORTATION**

**SUMMARY OF QUANTITIES**

SCALE: SHEET 1 OF 1 SHEETS STA. TO STA.

F.A.I. RTE.	SECTION	COUNTY	TOTAL SHEETS	SHEET NO.
74	D5 GR 2023-1	VERMILION	8	3
			CONTRACT NO. 70G27	
			ILLINOIS FED. AID PROJECT	

# A EXISTING TYPICAL CROSS SECTION

STATION TO STATION  
1509+25.00 1573+26.25

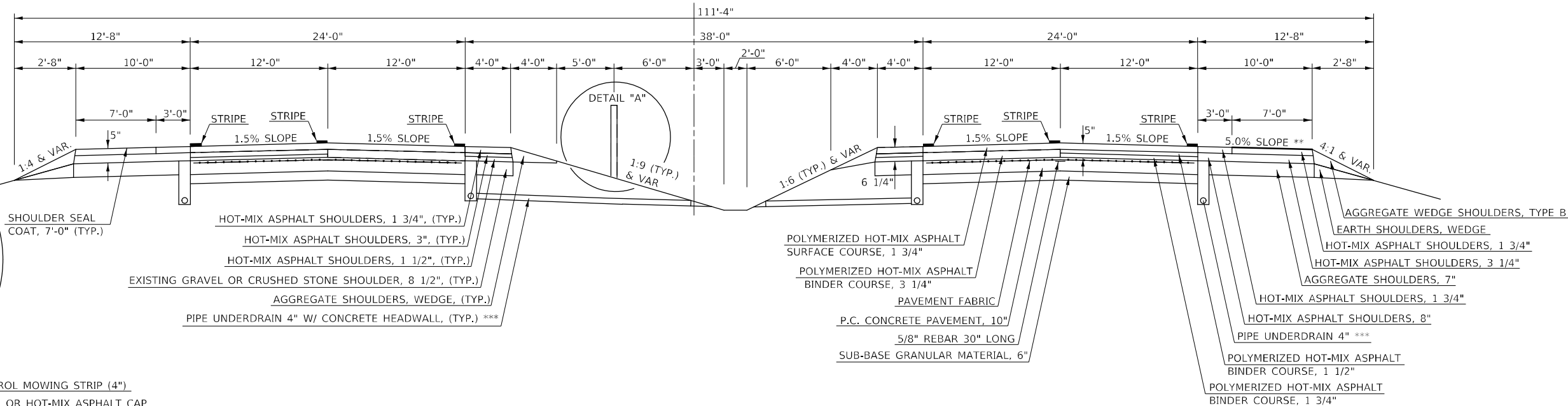
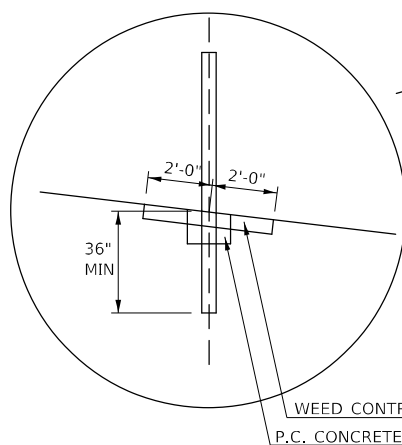
F.A.I. 74

\* SEE SHEET NO. 17

\*\* ALLOWABLE MINIMUM SHOULDER SLOPE = 4.0%  
ALLOWABLE MAXIMUM SHOULDER SLOPE = 6.0%

\*\*\* PIPE UNDERDRAIN 4"  
STATION 1224+97 TO STATION 1583+97  
STATION 1667+50 TO STATION 1720+00  
PIPE UNDERDRAIN 6"  
STATION 1583+97 TO STATION 1667+50

DETAIL "A"  
HIGH TENSION CABLE BARRIER  
STA. 1509+25.00 TO STA. 1573+26.25



# 1 PROPOSED TYPICAL CROSS SECTION

STATION TO STATION  
1509+25.00 1573+26.25

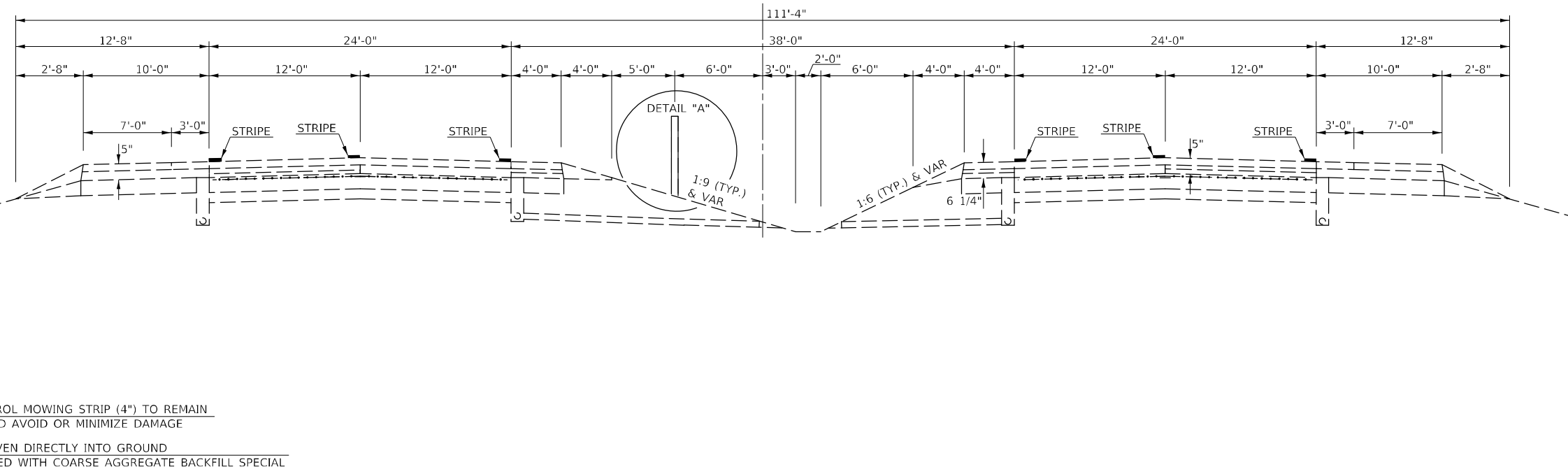
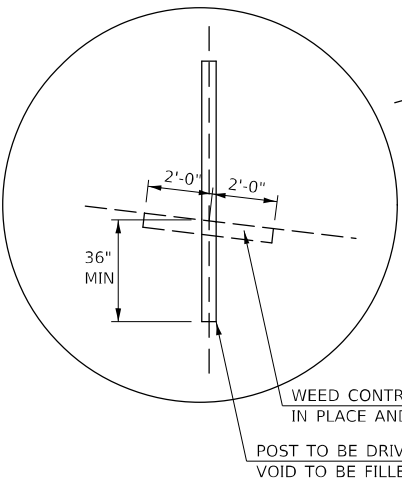
F.A.I. 74

\* SEE SHEET NO. 17

\*\* ALLOWABLE MINIMUM SHOULDER SLOPE = 4.0%  
ALLOWABLE MAXIMUM SHOULDER SLOPE = 6.0%

\*\*\* PIPE UNDERDRAIN 4"  
STATION 1224+97 TO STATION 1583+97  
STATION 1667+50 TO STATION 1720+00  
PIPE UNDERDRAIN 6"  
STATION 1583+97 TO STATION 1667+50

DETAIL "A"  
HIGH TENSION CABLE BARRIER  
STA. 1509+25.00 TO STA. 1573+26.25



STATE OF ILLINOIS  
DEPARTMENT OF TRANSPORTATION

TYPICAL CROSS SECTION

USER NAME = Steven.Wood	DESIGNED -	REVISED -
	DRAWN -	REVISED -
PLOT SCALE = 40,0000 * / in.	CHECKED -	REVISED -
PLOT DATE = 3/15/2023	DATE -	REVISED -

SCALE:	SHEET 1 OF 1 SHEETS	STA. TO STA.
--------	---------------------	--------------

F.A.I. RTE.	SECTION	COUNTY	TOTAL SHEETS	SHEET NO.
74	D5 GR 2023-1	VERMILION	8	4
CONTRACT NO. 70G27				
ILLINOIS FED. AID PROJECT				

MODEL: I:\MODEL\MHFE  
FILE: MHFE\_Plan\Subarea\bea\paw.com\FW\DOT\Documents\DOT\_Offices\Dir\dr. S\Project\057027\CADD\Plan\CAD\Sheet\057027-4b-Typical.dgn

# SCHEDULE OF QUANTITIES

70107025 CHANGEABLE MESSAGE SIGN

LOCATION		PUBLIC NOTIFICATION (**) (CAL DA)	CMS USED DURING CONSTRUCTION (CAL DA)	TOTAL QUANTITY (CAL DA)
I-74	EASTBOUND	3.0		3.0
I-74	WESTBOUND	3.0		3.0
TOTAL =				6.0
				CAL DA

**\*\* NOTE:**  
SEE SPECIAL PROVISIONS FOR PUBLIC NOTIFICATION REQUIREMENTS.

- X6440160 REPAIR HIGH TENSION CABLE (TRINITY)
- 78200021 HIGH TENSION CABLE MEDIAN REFLECTORS
- X0800003 COARSE AGGREGATE BACKFILL (SPECIAL)

					X6440160	78200021			X0800003
					REPAIR HIGH TENSION CABLE (TRINITY) (FT)	HIGH TENSION CABLE MEDIAN REFLECTORS (EACH)	NUMBER OF POSTS	VOLUME (CU YD)	COARSE AGGREGATE BACKFILL (SPECIAL) (CU YD)
LOCATION	STATION	TO	STATION	LENGTH (FT)					
MEDIAN	I-74 W.B. PL	1509+25.00	1573+26.25	6401.25	6401.25	26.00	335.00	0.196	65.76
TOTAL =					6401.25	26.00			65.76
USE =					6402.00	26.00			66.00
					FT	EACH			CU YD

MODEL: \\MODEL\MNF5  
 FILE: \\MNF5\_Plan\Public\paw\_bentley.com\PIV\DOT\Documents\DOT\_Offices\Dir\dr: S\Project\0570627\CAD\DATA\CAD\Sheets\0570627-sh-Schedule.dgn

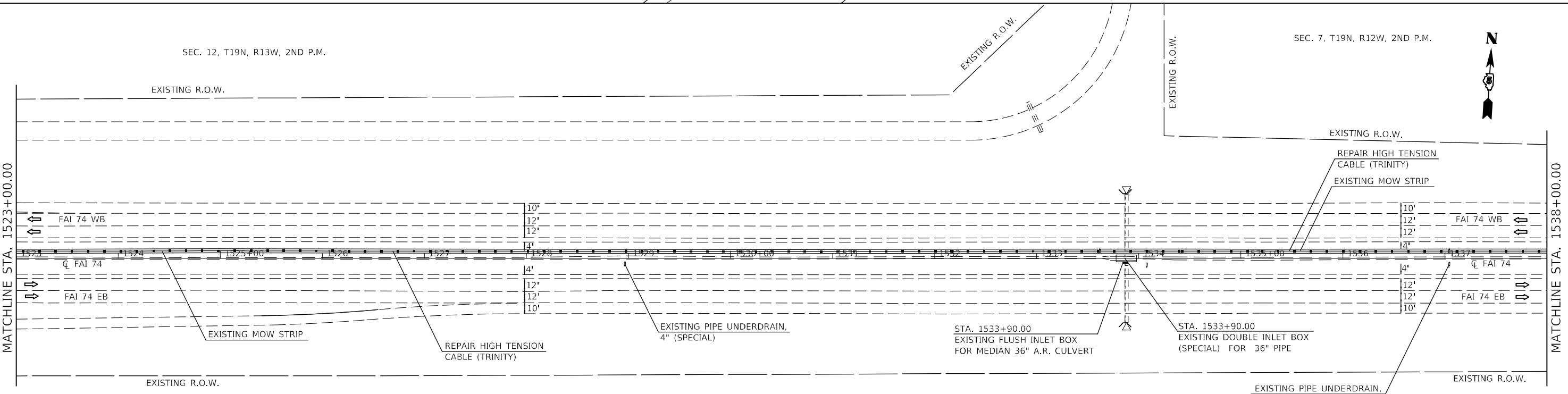
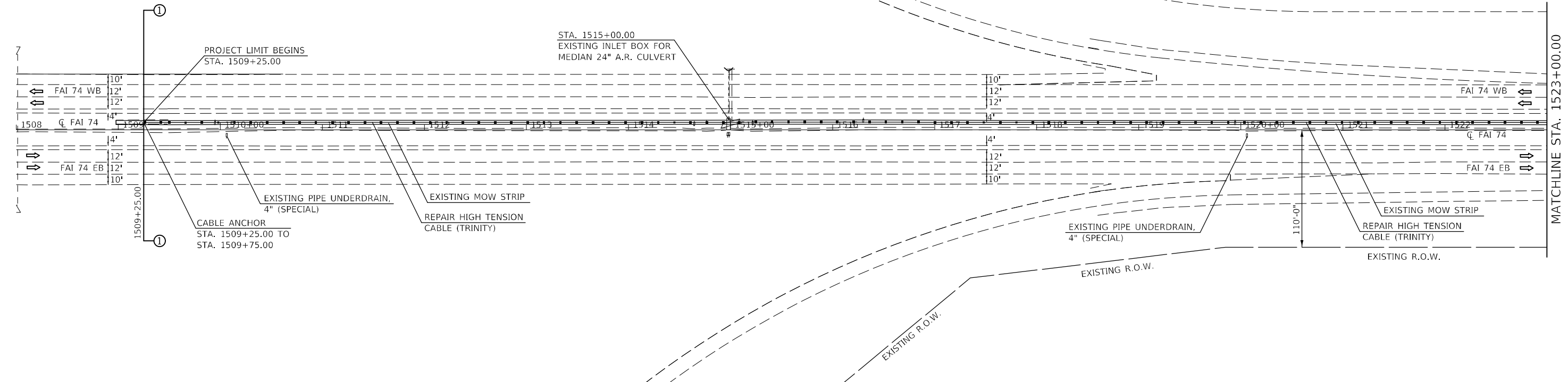
USER NAME = Steven.Wood	DESIGNED -	REVISED -
	DRAWN -	REVISED -
PLOT SCALE = 40,0000 * / in.	CHECKED -	REVISED -
PLOT DATE = 3/15/2023	DATE -	REVISED -

**STATE OF ILLINOIS  
DEPARTMENT OF TRANSPORTATION**

**SCHEDULE OF QUANTITIES**

SCALE: SHEET 1 OF 1 SHEETS STA. TO STA.

F.A.I. RTE.	SECTION	COUNTY	TOTAL SHEETS	SHEET NO.
74	D5 GR 2023-1	VERMILION	8	5
CONTRACT NO. 70G27				
ILLINOIS		FED. AID PROJECT		



MODEL: \\MODEL\MAME  
 FILE: NAME: \\PUB\c:\paw\bea\paw.com\PIV\DOT\Documents\DOT Office\Drawings\Project\0570227\Cadd\Drawings\Sheet\0570227-sh-Plan.dgn

USER NAME = Steven.Wood	DESIGNED -	REVISED -
PLOT SCALE = 100,0000' / in.	DRAWN -	REVISED -
PLOT DATE = 3/15/2023	CHECKED -	REVISED -
	DATE -	REVISED -

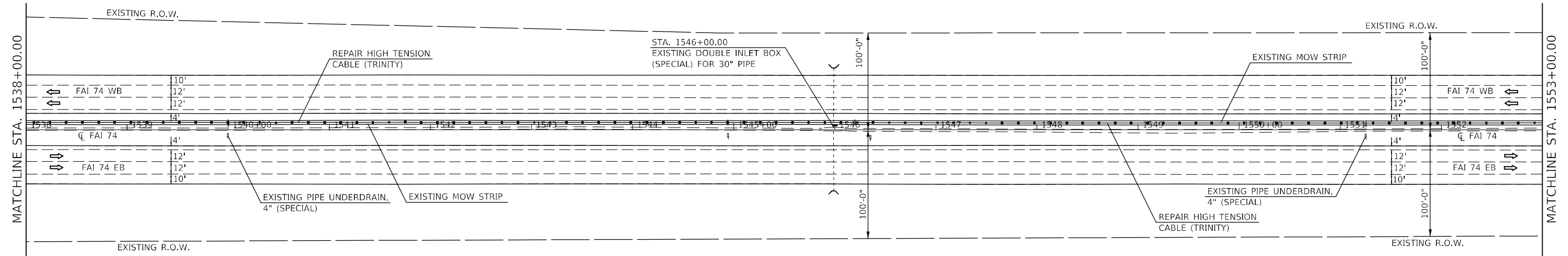
**STATE OF ILLINOIS  
DEPARTMENT OF TRANSPORTATION**

**PLAN SHEET**

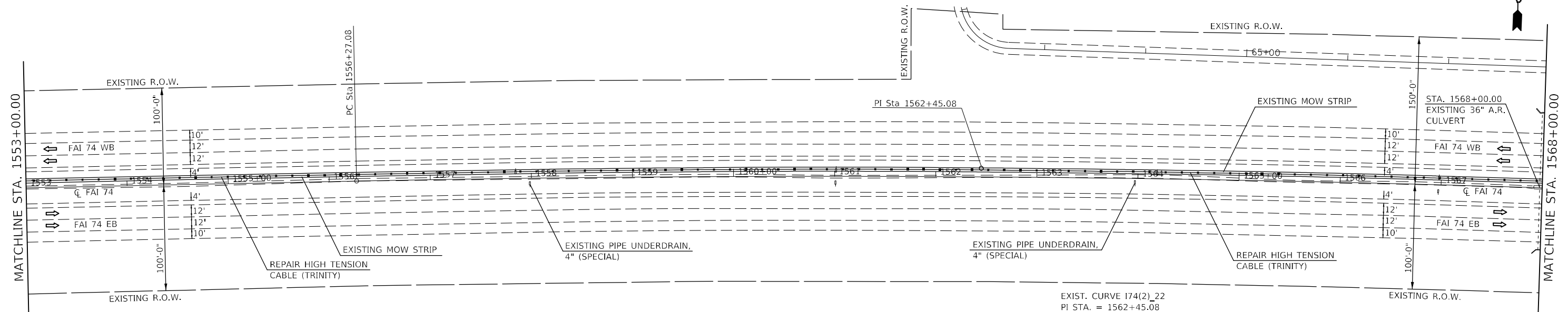
SCALE: 1" = 50'    SHEET 1 OF 3 SHEETS    STA. 1508+00.00 TO STA. 1538+00.00

F.A.I. RTE.	SECTION	COUNTY	TOTAL SHEETS	SHEET NO.
74	D5 GR 2023-1	VERMILION	8	6
CONTRACT NO. 70G27				
ILLINOIS FED. AID PROJECT				

SEC. 7, T19N, R12W, 2ND P.M.



SEC. 7, T19N, R12W, 2ND P.M.



EXIST. CURVE 174(2)\_22  
 PI STA. = 1562+45.08  
 $\Delta = 3^\circ 08' 42''$  (RT)  
 $D = 0^\circ 15' 16''$   
 $R = 22,512.03'$   
 $T = 618.00'$   
 $L = 1,235.69'$   
 $E = 8.48'$   
 $e =$   
 $T.R. =$   
 $S.E. RUN =$   
 $P.C. STA. = 1556+27.08$   
 $P.T. STA. = 1568+62.77$

MODEL: 140081.MXD  
 FILE: 140081.dwg  
 PROJECT: D:\Projects\7027\CADD\Drawings\7027-2.dwg  
 USER: Steven.Wood

USER NAME = Steven.Wood	DESIGNED -	REVISED -
PLOT SCALE = 100,000' / in.	DRAWN -	REVISED -
PLOT DATE = 3/15/2023	CHECKED -	REVISED -
	DATE -	REVISED -

**STATE OF ILLINOIS  
 DEPARTMENT OF TRANSPORTATION**

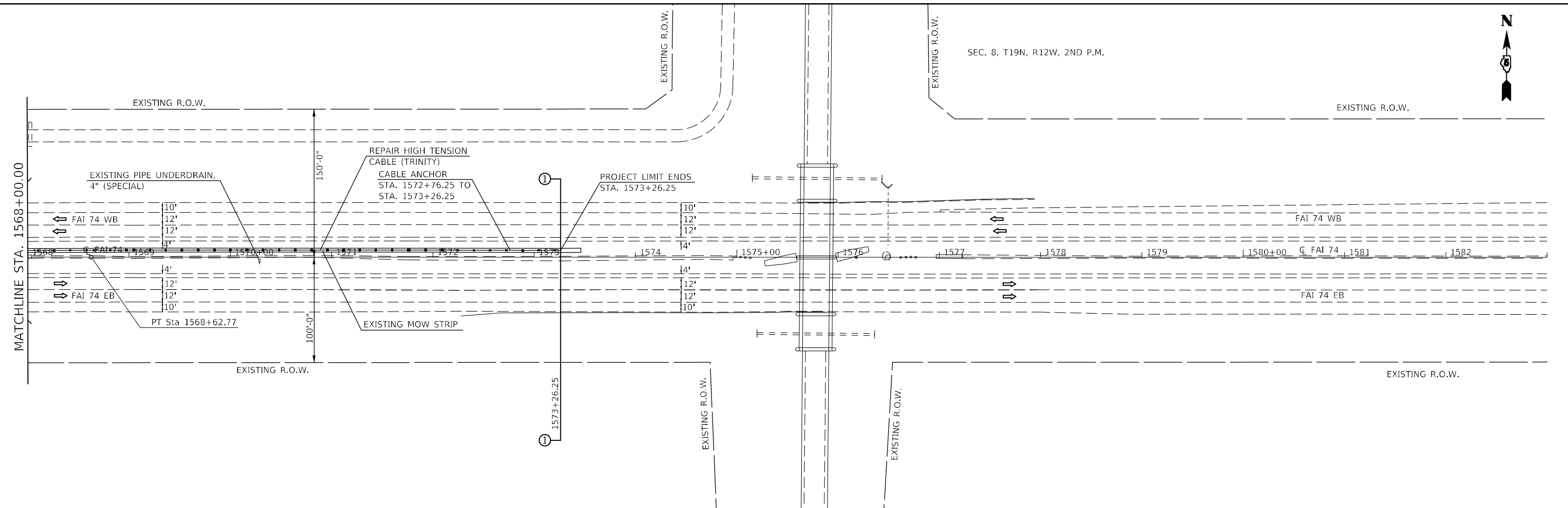
**PLAN SHEET**

SCALE: 1" = 50'    SHEET 2 OF 3 SHEETS    STA. 1538+00.00 TO STA. 1568+00.00

F.A.I. RTE.	SECTION	COUNTY	TOTAL SHEETS	SHEET NO.
74	D5 GR 2023-1	VERMILION	8	7
CONTRACT NO. 70G27				
ILLINOIS FED. AID PROJECT				



SEC. 8, T19N, R12W, 2ND P.M.



MODEL: \\MODEL\MAME  
 FILE: \\MAILS\_Plan\11023\paw\_bendley.com\FW\DOT\Documents\DOT\_Offices\Dir\dr: S:\Project\0570627\CADD\DATA\CAD\Sheets\0570627-sh-Plan.dgn

USER NAME = Steven.Wood	DESIGNED -	REVISED -
	DRAWN -	REVISED -
PLOT SCALE = 100,0000 ' / in.	CHECKED -	REVISED -
PLOT DATE = 3/15/2023	DATE -	REVISED -

**STATE OF ILLINOIS  
DEPARTMENT OF TRANSPORTATION**

**PLAN SHEET**

SCALE: 1" = 50'    SHEET 3    OF 3    SHEETS    STA. 1568+00.00    TO STA. 1583+00.00

F.A.I. RTE.	SECTION	COUNTY	TOTAL SHEETS	SHEET NO.
74	D5 GR 2023-1	VERMILION	8	8
			CONTRACT NO. 70G27	
		ILLINOIS	FED. AID PROJECT	