

STATE OF ILLINOIS
DEPARTMENT OF TRANSPORTATION

F.A.I. RITE	SECTION	COUNTY	TOTAL SHEETS	SHEET NO.
24	(64-3B)BDR-1	MASSAC	10	1
		ILLINOIS	CONTRACT NO. 78982	

**PROPOSED
HIGHWAY PLANS**

FAI ROUTE 24 (I-24)
SECTION (64-3B)BDR-1
PROJECT HBFP-LCS2(234)
BRIDGE DECK REPAIRS
MASSAC COUNTY, McCRACKEN COUNTY KY

C-99-027-23

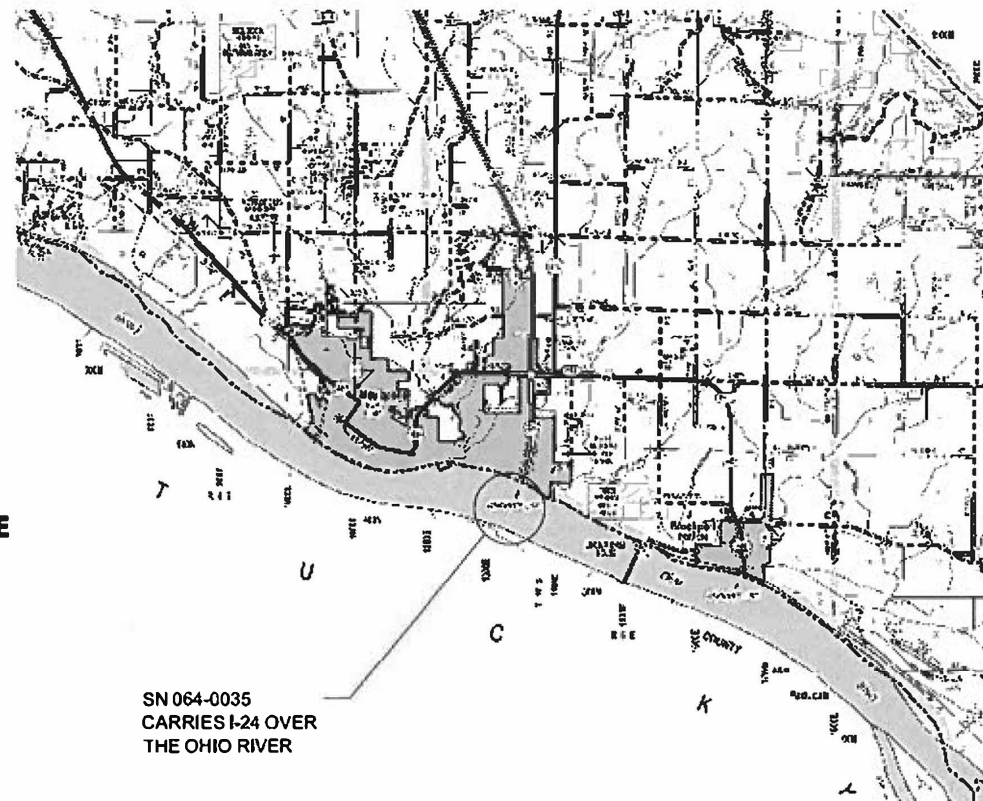
FOR INDEX OF SHEETS, SEE SHEET NO. 3
FOR SUMMARY OF QUANTITIES, SEE SHEET NO. 4
FOR STRUCTURAL PAVEMENT DESIGN INFORMATION, SEE SHEET NO. N/A

TRAFFIC DATA

SN 064-0035
I-24 2023 ADT = 29380 (TWO WAY)
23% TRUCKS

TOWNSHIP

SECTION 8, TOWNSHIP 16S, RANGE 5E



SN 064-0035
CARRIES I-24 OVER
THE OHIO RIVER

GROSS LENGTH = 6085.0 FT. = 1.2 MILES
NET LENGTH = 6085.0 FT. = 1.2 MILES



LOCATION OF SECTION INDICATED THUS: -

DESIGN DESIGNATION : N/A
COORDINATE SYSTEM : ILLINOIS COORDINATE SYSTEM, EAST ZONE
POSTED SPEED : 70 MPH

J.U.L.I.E.
JOINT UTILITY LOCATION INFORMATION FOR EXCAVATION
1-800-892-0123
OR 811

PROJECT ENGINEER: GRANT DETERDING
PROJECT DESIGNER: DAVID WILSON

CONTRACT NO. 78982

STATE OF ILLINOIS
DEPARTMENT OF TRANSPORTATION

SUBMITTED April 17 2023

Kirk H. Brown
REGION FIVE ENGINEER

May 12, 2023 [Signature]
ENGINEER OF DESIGN AND ENVIRONMENT

May 12, 2023 [Signature]
DIRECTOR OF HIGHWAYS PROJECT IMPLEMENTATION

PRINTED BY THE AUTHORITY
OF THE STATE OF ILLINOIS

MODEL: Signature Sheet
FILE NAME: C:\Users\pawley\OneDrive\Documents\DOT_Chester District 30RD Project\78982\1000\24-30\BDR-1\24-30\2023\24-30\2023_Sign_Sheet.dwg

Prepared By: Charles Stein
DISTRICT STUDIES & PLANS ENGINEER

Examined By: Nancy Hee
DISTRICT LAND ACQUISITION ENGINEER

Examined By: Con Nelson
DISTRICT PROGRAM DEVELOPMENT ENGINEER

Examined By: R. C. [Signature]
DISTRICT OPERATIONS ENGINEER

Examined By: Dafu J. [Signature]
DISTRICT PROJECT IMPLEMENTATION ENGINEER

Examined By: Dafu J. [Signature]
DISTRICT CONSTRUCTION ENGINEER

Examined By: Aan Day
DISTRICT MATERIALS ENGINEER

USER NAME = David.A.Vibon	DESIGNED -	REVISED -
	DRAWN -	REVISED -
PLOT SCALE = 0.16666633 / in.	CHECKED -	REVISED -
PLOT DATE = 4/12/2023	DATE -	REVISED -

**STATE OF ILLINOIS
DEPARTMENT OF TRANSPORTATION**

SIGNATURE SHEET

SCALE: SHEET 2 OF 10 SHEETS STA. TO STA.

F.A.I. RTE.	SECTION	COUNTY	TOTAL SHEETS	SHEET NO.
24	(64-30)BDR-1	MASSAC	10	2
ILLINOIS FED. AID PROJECT			CONTRACT NO. 78982	

INDEX OF SHEETS

1	COVER SHEET
2	SIGNATURE SHEET
3	INDEX OF SHEETS, GENERAL NOTES, AND STANDARDS
4	SUMMARY OF QUANTITIES
5	GENERAL PLAN AND ELEVATION
6	STAGING DETAILS
7	DECK REPAIRS
8	EAST BOUND PATCHING DETAILS
9	WEST BOUND PATCHING DETAILS
10	WIDE LOAD SIGNING PLAN

GENERAL NOTES

FACTORS USED FOR ESTIMATING PLAN QUANTITIES ARE AS FOLLOWS AND SHALL NOT BE USED FOR THE BASIS OF FINAL QUANTITIES:
 ALL HOT MIX ASPHALT 2.016 TONS/CU YD

THE QUANTITY OF SHORT TERM PAVEMENT MARKING SHOWN IN THE PLANS IS BASED ON ONE APPLICATION EACH FOR THE HMA SURFACE REMOVAL, AND SURFACE COURSE.

RAISED REFLECTIVE PAVEMENT MARKERS LOCATED IN PROPOSED PATCHES SHALL BE REMOVED AND REINSTALLED. COST TO BE INCLUDED WITH THE HMA SURFACE REMOVAL (DECK).

COMMITMENTS: KENTUCKY TRANSPORTATION CABINET CONTACT REQUIREMENT - SEE SPECIAL PROVISIONS

STANDARDS

001006	DECIMAL OF AN INCH AND OF A FOOT
000001-08	STANDARD SYMBOLS, ABBREVIATIONS AND PATTERNS
701101-05	OFF-ROAD OPERATIONS, MULTILANE, 15' TO 24" FROM PAVEMENT
701400-11	EDGE APPROACH TO LANE CLOSURE, FREEWAY/EXPRESSWAY
701401-13	LANE CLOSURE, FREEWAY/EXPRESSWAY
701428-01	TRAFFIC CONTROL SETUP AND REMOVAL FREEWAY/EXPRESSWAY
701901-08	TRAFFIC CONTROL DEVICES
780001-05	TYPICAL PAVEMENT MARKINGS

MIX REQUIREMENTS

LOCATIONS	HOT-MIX ASPHALT PATCHING
MIXTURE USE(S):	POLYMERIZED HOT-MIX ASPHALT SURFACE COURSE, MIX E, N90
PG:	SBS PG 76-22
DESIGN AIR VOIDS:	4.0%, 90 GYRATION DESIGN
MIXTURE COMPOSITION: (GRADATION MIXTURE)	IL-9.5mm
FRICTION AGGREGATE:	MIX E
MIXTURE WEIGHT:	112 lbs/Sq Yd/in
QUALITY MANAGEMENT PROGRAM:	QC/QA
SUBLOT SIZE:	3000 TONS
MATERIAL TRANSFER DEVICE	NO

REV. - MS

MODEL: General Notes_Index of Sheets_ and Standards (Sheet)
 FILE NAME: P:\GIS\p\GIS\DOT\Documents\DOT Office\Drawings\CRD Project\78982\CAD\Drawings\78982_Signs_Index_GenNotes.dgn

USER NAME = Alicia.Fowler-Steves	DESIGNED -	REVISED -
	DRAWN -	REVISED -
PLOT SCALE = 0.16666633' / in.	CHECKED -	REVISED -
PLOT DATE = 4/12/2023	DATE -	REVISED -

**STATE OF ILLINOIS
 DEPARTMENT OF TRANSPORTATION**

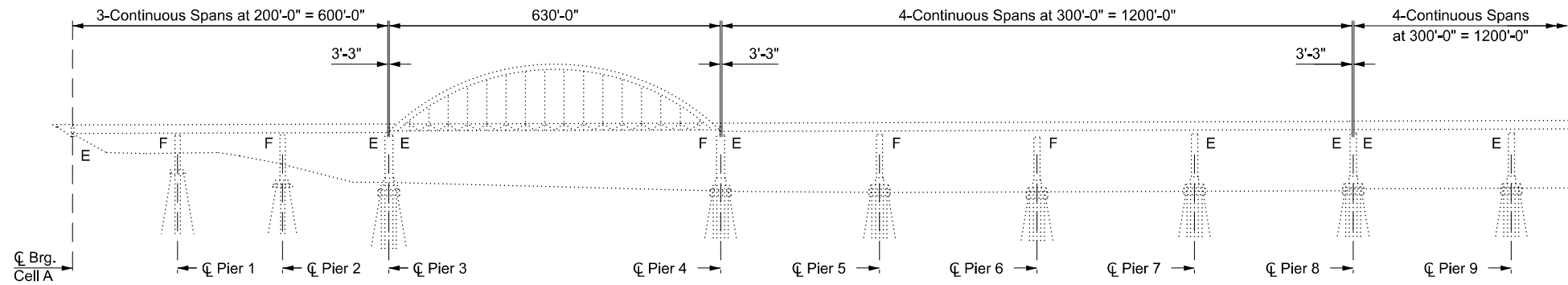
INDEX OF SHEETS, GENERAL NOTES, AND STANDARDS

SCALE: SHEET 3 OF 10 SHEETS STA. TO STA.

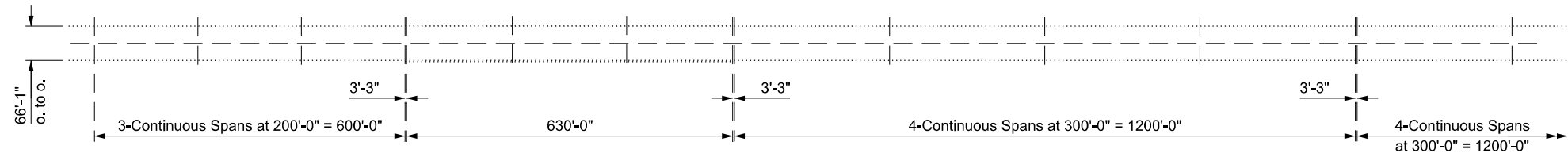
F.A.I. RTE.	SECTION	COUNTY	TOTAL SHEETS	SHEET NO.
24	(64-3B)BDR-1	MASSAC	10	3
CONTRACT NO. 78982				
ILLINOIS FED. AID PROJECT				

GENERAL NOTES

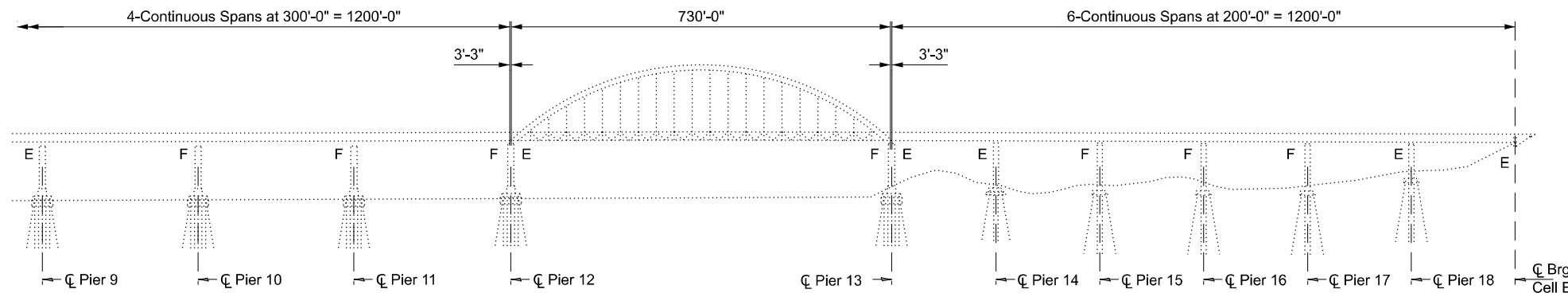
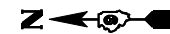
None



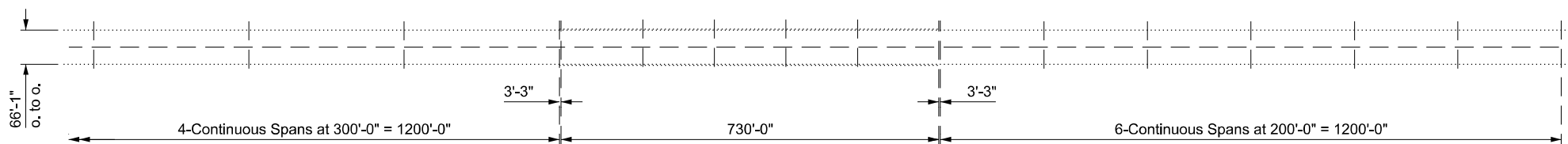
PARTIAL ELEVATION - 1



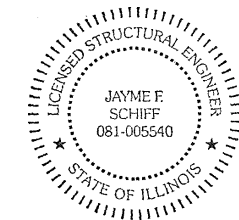
PARTIAL PLAN - 1



PARTIAL ELEVATION - 2



PARTIAL PLAN - 2



Jayme F. Schiff

EXPIRES 11-30-2024

TOTAL BILL OF MATERIAL

ITEM	UNIT	TOTAL
Polymerized Hot-mix Asphalt Surface Course, IL-9.5, Mix "E", N90	Ton	406
HMA Surface Removal (Deck)	Sq. Yd.	3646

MODEL: General Plan and Elevation (Sheet)
FILE NAME: P:\Bids\2023\78982\DOT\Documents\DOT Office\District 9\ORD Project\78982\CADD\Bids\DOT\General Plan and Elevation.dgn

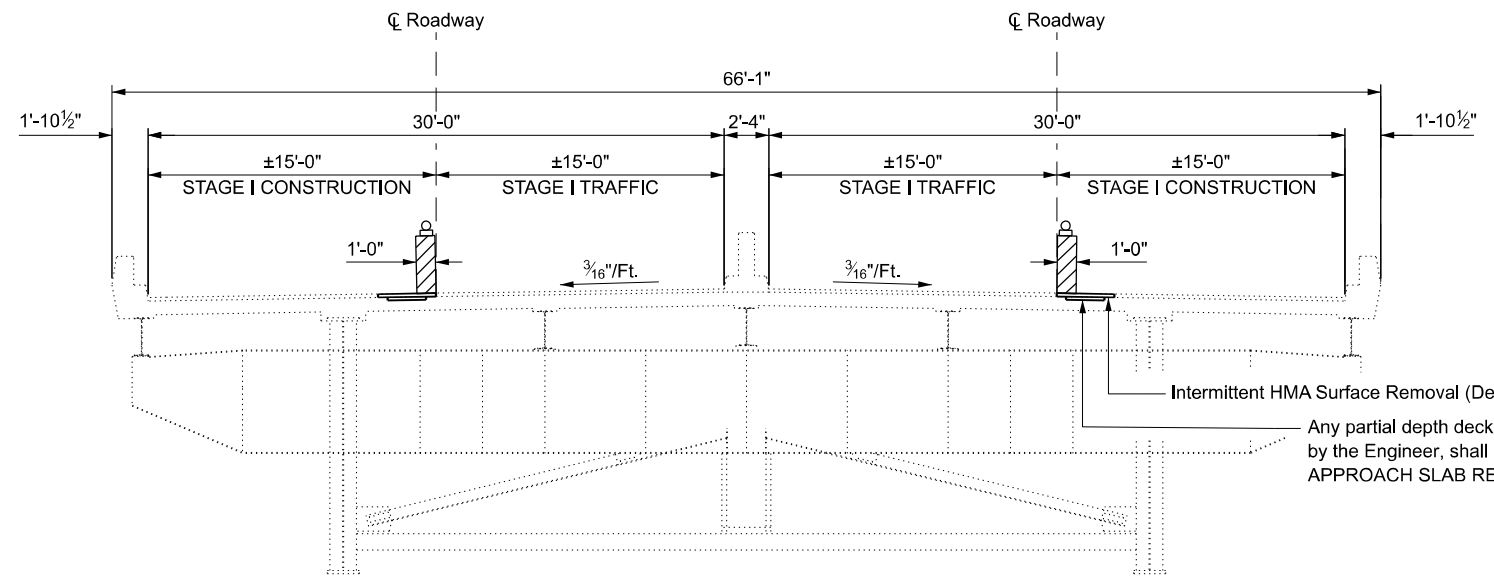
USER NAME = Alicia.Fowler-Stevens	DESIGNED -	REVISED -
DRAWN -	REVISIONS -	
PLOT SCALE = 0.16666633' / in.	CHECKED -	REVISED -
PLOT DATE = 4/12/2023	DATE -	REVISED -

**STATE OF ILLINOIS
DEPARTMENT OF TRANSPORTATION**

GENERAL PLAN AND ELEVATION

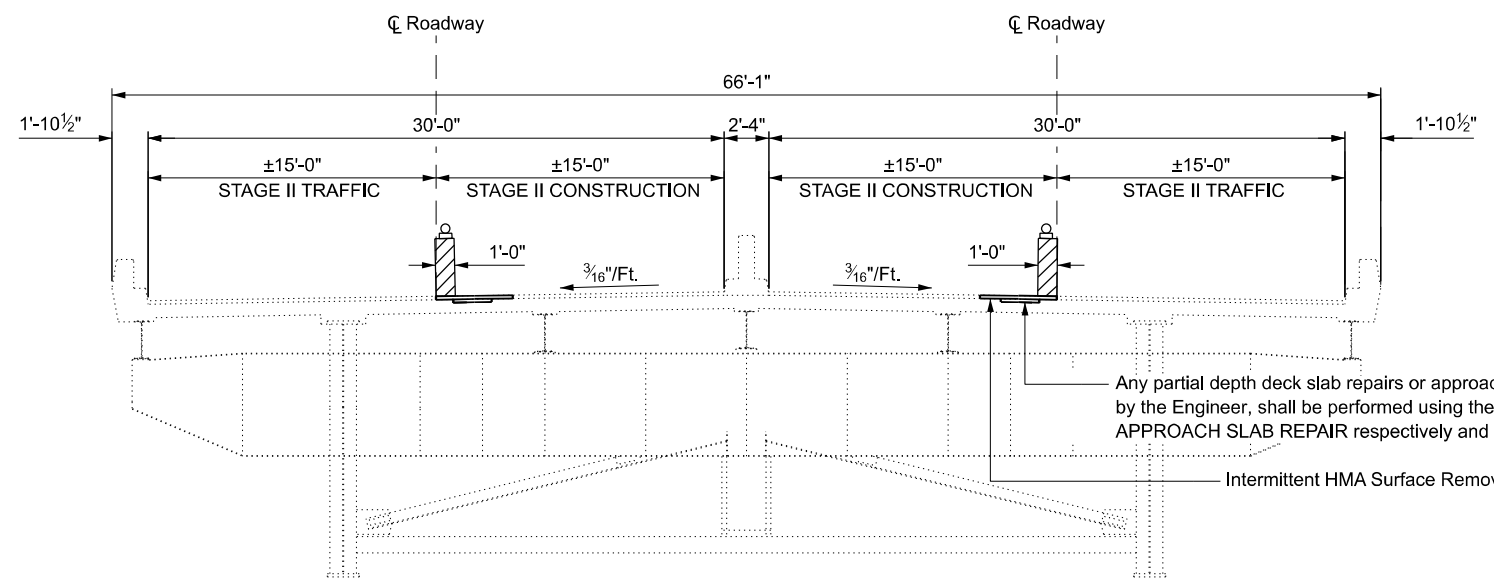
SCALE: SHEET 5 OF 10 SHEETS STA. TO STA.

F.A.I. RTE.	SECTION	COUNTY	TOTAL SHEETS	SHEET NO.
24	(64-3B)BDR-1	MASSAC	10	5
CONTRACT NO. 78982				
ILLINOIS FED. AID PROJECT				



Intermittent HMA Surface Removal (Deck), ±2"
 Any partial depth deck slab repairs or approach slab repairs done in this Contract, as determined by the Engineer, shall be performed using the special provisions DECK SLAB REPAIR and APPROACH SLAB REPAIR respectively and paid for using Article 109.04.)

**TYPICAL SECTION
 STAGE I**
 (Looking South)



Intermittent HMA Surface Removal (Deck), ±2"
 Any partial depth deck slab repairs or approach slab repairs done in this Contract, as determined by the Engineer, shall be performed using the special provisions DECK SLAB REPAIR and APPROACH SLAB REPAIR respectively and paid for using Article 109.04.)

**TYPICAL SECTION
 STAGE II**
 (Looking South)

**STAGING DETAILS
 (64-3B) BDR-1
 FAI 24 OVER OHIO RIVER
 MASSAC COUNTY
 SN 064-0035**

Note: Barricades shall be moved to provide at least a 16' lane when workers and equipment are not allowed in the work zone.

MODEL: Staging Details (Sheet)
 FILE NAME: P:\Bids\2023\78982\CADD\Drawings\DOT\Office\District 9\ORD Project\78982\CADD\Drawings\DOT\78982-SubD-Staging Details.dwg

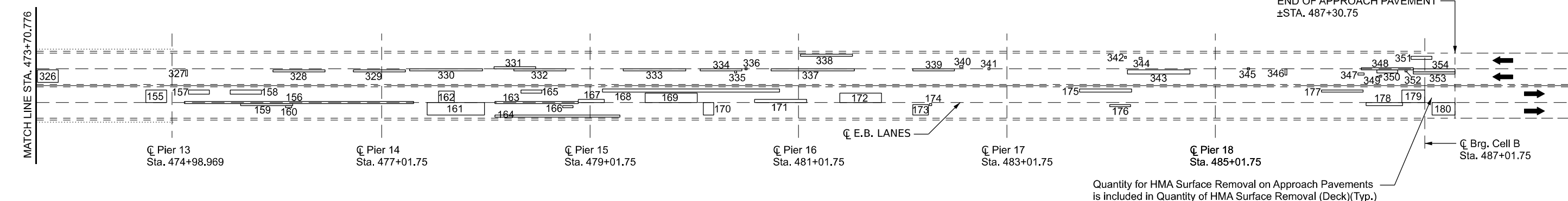
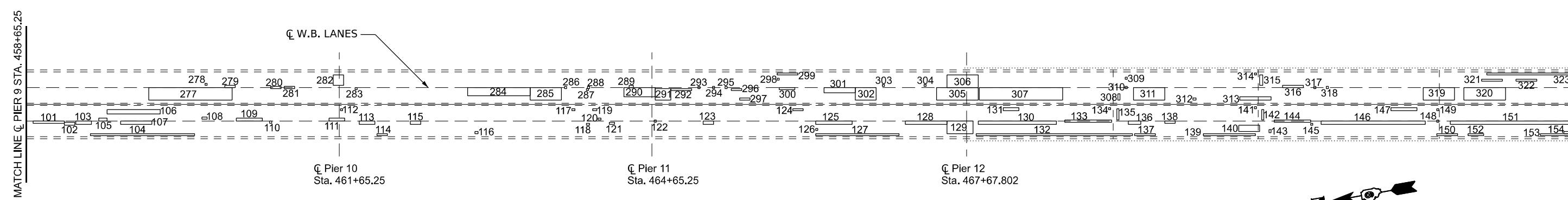
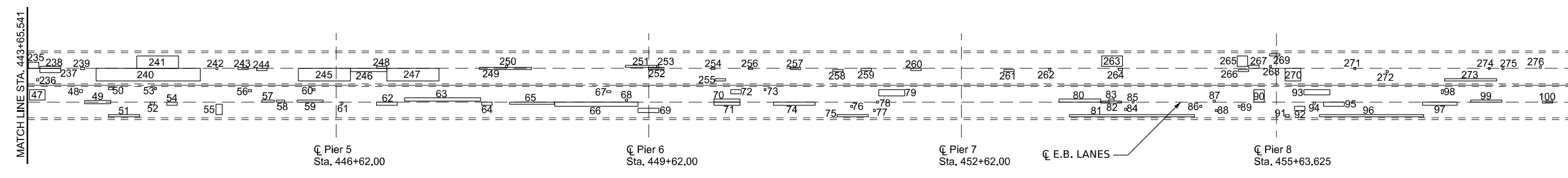
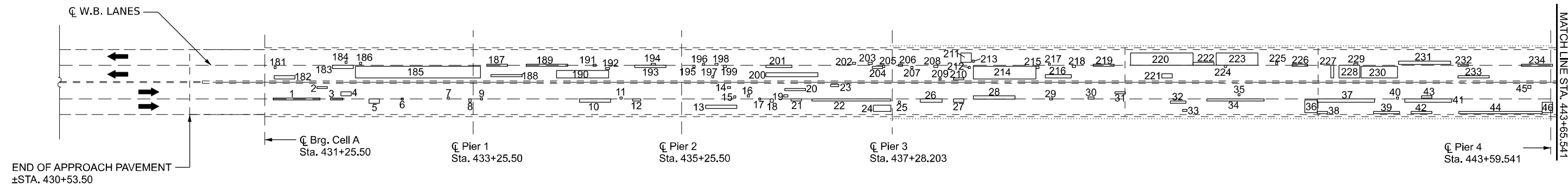
USER NAME = Alicia.Fowler-Stevens	DESIGNED -	REVISED -
DRAWN -	REVISED -	
PLOT SCALE = 0.16666633' / in.	CHECKED -	REVISED -
PLOT DATE = 4/12/2023	DATE -	REVISED -

**STATE OF ILLINOIS
 DEPARTMENT OF TRANSPORTATION**

STAGING DETAILS

SCALE: SHEET 6 OF 10 SHEETS STA. TO STA.

F.A.I. RTE.	SECTION	COUNTY	TOTAL SHEETS	SHEET NO.
24	(64-3B)BDR-1	MASSAC	10	6
CONTRACT NO. 78982				
ILLINOIS FED. AID PROJECT				



Quantity for HMA Surface Removal on Approach Pavements is included in Quantity of HMA Surface Removal (Deck)(Typ.)

MODEL: Bridge Patching Details (Sheet)
 FILE NAME: P:\BID\Documents\DOT Office\Direct Labor\Project\78982\CADD\Drawings\78982-Deck_Repairs

USER NAME = Alicia.Fowler-Stevens	DESIGNED -	REVISED -	STATE OF ILLINOIS DEPARTMENT OF TRANSPORTATION	DECK REPAIRS		F.A.I. RTE.	SECTION	COUNTY	TOTAL SHEETS	SHEET NO.
DRAWN -	REVISED -	24				(64-3B)BDR-1	MASSAC	10	7	
PLOT SCALE = 0.16666833' / in.	CHECKED -	REVISED -		CONTRACT NO. 78982						
PLOT DATE = 4/12/2023	DATE -	REVISED -		ILLINOIS FED. AID PROJECT						

SCALE: SHEET 7 OF 10 SHEETS STA. TO STA.

East Bound HMA Surface Removal			
PATCH NUMBER	WIDTH (Ft)	LENGTH (Ft)	AREA (Sq. Yd.)
1	2	45	10.0
2	2	10	2.2
3	2	12	2.7
4	4	10	4.4
5	4	10	4.4
6	2	2	0.4
7	2	2	0.4
8	3	2	0.7
9	2	2	0.4
10	3	30	10.0
11	2	2	0.4
12	2	8	1.8
13	3	30	10.0
14	2	3	0.7
15	2	2	0.4
16	2	2	0.4
17	2	2	0.4
18	3	3	1.0
19	2	4	0.9
20	2	20	4.4
21	2	10	2.2
22	2	76	16.9
23	2	8	1.8
24	6	17	11.3
25	2	2	0.4
26	3	21	7.0
27	3	10	3.3
28	3	40	13.3
29	2	3	0.7
30	2	6	1.3
31	2	10	2.2
32	2	15	3.3
33	2	4	0.9
34	2	55	12.2
35	2	2	0.4
36	12	12	16.0
37	3	55	18.3
38	2	10	2.2
39	2	25	5.6
40	2	2	0.4
41	3	45	15.0
42	2	20	4.4
43	2	10	2.2
44	2	80	17.8
45	3	3	1.0
46	10	10	11.1
47	10	15	16.7
48	3	3	1.0
49	3	25	8.3
50	2	4	0.9
51	2	30	6.7
52	2	4	0.9
53	2	2	0.4
54	3	10	3.3
55	10	6	6.7
56	2	3	0.7
57	2	12	2.7
58	2	8	1.8
59	2	25	5.6
60	2	2	0.4

East Bound HMA Surface Removal Continued			
PATCH NUMBER	WIDTH (Ft)	LENGTH (Ft)	AREA (Sq. Yd.)
61	2	2	0.4
62	3	20	6.7
63	3	73	24.3
64	3	10	3.3
65	2	43	9.6
66	4	80	35.6
67	2	4	0.9
68	2	2	0.4
69	4	20	8.9
70	3	25	8.3
71	2	25	8.3
72	4	10	4.4
73	2	2	0.4
74	3	40	13.3
75	2	30	6.7
76	2	2	0.4
77	2	2	0.4
78	2	2	0.4
79	6	25	16.7
80	3	40	13.3
81	2	120	26.7
82	2	20	4.4
83	2	5	1.1
84	2	2	0.4
85	2	2	0.4
86	2	2	0.4
87	2	2	0.4
88	2	2	0.4
89	2	2	0.4
90	12	10	13.3
91	2	4	0.9
92	4	10	4.4
93	5	25	13.9
94	2	2	0.4
95	4	20	8.9
96	2	100	22.2
97	3	33	11
98	4	2	0.9
99	2	30	6.7
100	2	10	2.2
101	2	30	6.7
102	3	10	3.3
103	3	15	5.0
104	2	100	22.2
105	3	8	2.7
106	4	51	22.7
107	3	30	10.0
108	2	5	1.1
109	3	25	8.3
110	4	2	0.4
111	3	15	5.0
112	2	2	0.4
113	3	15	5.0
114	2	10	2.2
115	3	10	3.3
116	2	3	0.7
117	2	3	0.7
118	2	3	0.7
119	2	4	0.9
120	2	3	0.7

East Bound HMA Surface Removal Continued			
PATCH NUMBER	WIDTH (Ft)	LENGTH (Ft)	AREA (Sq. Yd.)
121	2	5	1.1
122	2	2	0.4
123	3	10	3.3
124	2	10	2.2
125	3	35	11.7
126	2	2	0.4
127	2	80	17.8
128	3	40	13.3
129	12	25	33.3
130	3	75	25.0
131	3	15	5.0
132	2	150	33.3
133	2	45	10.0
134	2	2	0.4
135	11	2	2.4
136	3	12	4.0
137	2	20	4.4
138	2	10	2.2
139	2	50	11.1
140	6	20	13.3
141	2	2	0.4
142	10	2	2.2
143	3	2	0.7
144	2	35	7.8
145	2	2	0.4
146	3	100	33.3
147	3	25	8.3
148	2	2	0.4
149	2	2	0.4
150	2	20	4.4
151	3	125	41.7
152	2	15	3.3
153	2	50	11.1
154	2	15	3.3
155	12	20	26.7
156	2	220	48.9
157	4	20	8.9
158	4	30	13.9
159	2	50	11.1
160	2	6	1.3
161	12	55	73.3
162	11	15	18.3
163	2	80	17.8
164	2	120	26.7
165	3	20	6.7
166	2	10	2.2
167	3	25	8.3
168	3	170	56.7
169	9	50	50.0
170	12	10	13.3
171	3	50	16.7
172	9	40	40.0
173	10	15	16.7
174	2	2	0.4
175	3	50	16.7
176	2	20	4.4
177	2	40	8.9
178	3	35	11.7
179	12	22	29.3
180	12	22	29.3
EB HMA SURFACE REMOVAL TOTAL			1539.3

Note: Area of HMA Surface Removal is estimated based on a deck survey performed on March 6, 2023.

The Resident Engineer will determine final repair locations and quantities in the field before operations begin and mark on as-built plans.

MODEL: East Bound Patching Charts (Sheet)
FILE NAME: P:\Bids\2023\11\11\DOT\Documents\DOT Office\District 9\EBRD Project\78982\CAD\Drawings\DOT\98982-Deck_Repairs

USER NAME = Alicia.Fowler-Stevens	DESIGNED -	REVISED -
PLOT SCALE = 0.16666633' / in.	DRAWN -	REVISED -
PLOT DATE = 4/12/2023	CHECKED -	REVISED -
	DATE -	REVISED -

**STATE OF ILLINOIS
DEPARTMENT OF TRANSPORTATION**

EAST BOUND PATCHING DETAILS

SCALE: SHEET 8 OF 10 SHEETS STA. TO STA.

F.A.I. RTE.	SECTION	COUNTY	TOTAL SHEETS	SHEET NO.
24	(64-3B)BDR-1	MASSAC	10	8
CONTRACT NO. 78982				
ILLINOIS FED. AID PROJECT				

West Bound HMA Surface Removal			
PATCH NUMBER	WIDTH (Ft)	LENGTH (Ft)	AREA (Sq. Yd.)
181	2	2	0.4
182	3	20	6.7
183	3	20	6.7
184	2	2	0.4
185	11	120	146.7
186	2	2	0.4
187	2	20	4.4
188	2	30	6.7
189	2	40	8.9
190	7	50	38.9
191	2	3	0.7
192	2	4	0.9
193	2	30	6.7
194	2	4	0.9
195	2	2	0.4
196	3	20	6.7
197	2	2	0.4
198	2	3	0.7
199	2	3	0.7
200	4	50	22.2
201	2	25	5.6
202	2	3	0.7
203	2	4	0.9
204	2	10	2.2
205	2	2	0.4
206	2	4	0.9
207	2	2	0.4
208	2	4	0.9
209	2	2	0.4
210	2	10	2.2
211	9	10	10.0
212	2	2	0.4
213	2	2	0.4
214	12	60	80.0
215	2	3	0.7
216	3	25	8.3
217	2	2	0.4
218	2	3	0.7
219	2	20	4.4
220	12	60	80.0
221	4	10	4.4
222	3	20	6.7
223	12	40	53.3
224	2	2	0.4
225	2	2	0.4
226	2	15	3.3
227	12	3	4.0
228	12	20	26.7
229	2	4	0.9
230	11	35	42.8
231	3	50	16.7
232	2	10	2.2
233	2	30	6.7
234	2	30	6.7
235	6	10	6.7
236	2	2	0.4
237	4	20	8.9
238	2	20	4.4
239	2	4	0.9
240	12	100	133.3

West Bound HMA Surface Removal Continued			
PATCH NUMBER	WIDTH (Ft)	LENGTH (Ft)	AREA (Sq. Yd.)
241	12	40	53.3
242	2	2	0.4
243	2	10	2.2
244	2	10	2.2
245	12	50	66.7
246	3	35	11.7
247	12	50	66.7
248	2	10	2.2
249	2	50	11.1
250	2	2	0.4
251	2	30	6.7
252	2	15	3.3
253	2	2	0.4
254	2	4	0.9
255	2	10	2.2
256	2	4	0.9
257	2	10	2.2
258	2	10	2.2
259	2	10	2.2
260	2	10	2.2
261	2	10	2.2
262	2	2	0.4
263	10	20	22.2
264	2	4	0.9
265	10	10	11.1
266	2	10	2.2
267	3	10	3.3
268	2	2	0.4
269	2	10	2.2
270	12	15	20
271	2	2	0.4
272	2	2	0.4
273	2	50	11.1
274	2	2	0.4
275	2	2	0.4
276	2	2	0.4
277	12	80	106.7
278	2	2	0.4
279	2	10	2.2
280	2	10	2.2
281	2	10	2.2
282	10	10	11.1
283	2	2	0.4
284	8	60	53.3
285	12	30	40.0
286	2	2	0.4
287	2	2	0.4
288	2	3	0.7
289	2	4	0.9
290	9	30	30.0
291	11	15	18.3
292	2	20	4.4
293	2	2	0.4
294	2	2	0.4
295	2	2	0.4
296	2	10	2.2
297	2	10	2.2
298	2	2	0.4
299	2	20	4.4
300	2	15	3.3

West Bound HMA Surface Removal Continued			
PATCH NUMBER	WIDTH (Ft)	LENGTH (Ft)	AREA (Sq. Yd.)
301	5	30	16.7
302	12	20	26.7
303	2	2	0.4
304	2	2	0.4
305	12	40	53.3
306	12	30	40.0
307	12	80	106.7
308	6	2	1.3
309	2	2	0.4
310	2	2	0.4
311	12	30	40.0
312	2	3	0.7
313	3	30	10.0
314	2	2	0.4
315	10	3	3.3
316	2	20	4.4
317	2	2	0.4
318	2	2	0.4
319	12	30	40.0
320	12	40	53.3
321	2	20	4.4
322	2	20	4.4
323	2	100	22.2
324	12	20	26.7
325	12	20	26.7
326	12	20	26.7
327	6	2	1.3
328	2	50	11.1
329	2	50	11.1
330	2	70	15.6
331	2	40	8.9
332	2	50	11.1
333	2	60	13.3
334	2	40	8.9
335	2	2	0.4
336	2	2	0.4
337	2	80	17.8
338	2	50	11.1
339	2	40	8.9
340	2	3	0.7
341	2	2	0.4
342	2	2	0.4
343	4	60	26.7
344	2	3	0.7
345	2	2	0.4
346	6	2	1.3
347	2	6	1.3
348	2	50	11.1
349	2	2	0.4
350	3	20	6.7
351	3	20	6.7
352	2	2	0.4
353	2	40	8.9
354	3	40	13.3
WB HMA SURFACE REMOVAL TOTAL			2107.3

Note: Area of HMA Surface Removal is estimated based on a deck survey performed on March 6, 2023.

The Resident Engineer will determine final repair locations and quantities in the field before operations begin and mark on as-built plans.

MODEL: West Bound Patching Plans (Sheet)
 FILE NAME: P:\Bids\2023\11\11\DOT\Documents\DOT Office\District 9\WB Patching\78982\CAD\Drawings\DOT\78982-Deck_Repairs

USER NAME = Alicia.Fowler-Stevens	DESIGNED -	REVISED -
PLOT SCALE = 0.16666633" / in.	DRAWN -	REVISED -
PLOT DATE = 4/12/2023	CHECKED -	REVISED -
	DATE -	REVISED -

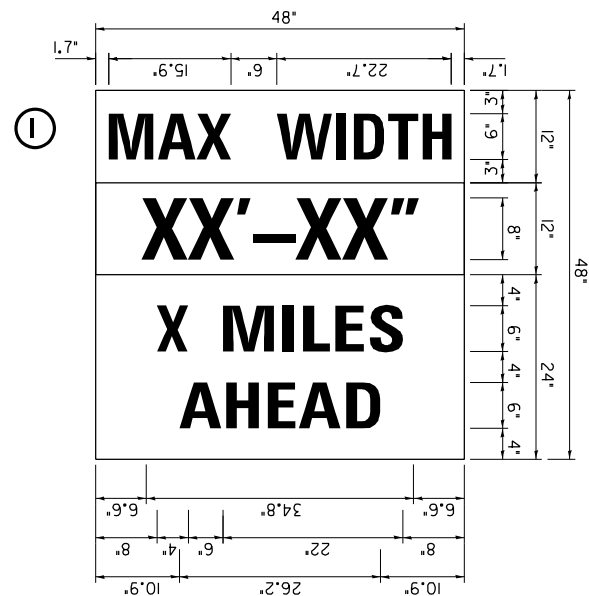
**STATE OF ILLINOIS
DEPARTMENT OF TRANSPORTATION**

WEST BOUND PATCHING DETAILS

SCALE: SHEET 9 OF 10 SHEETS STA. TO STA.

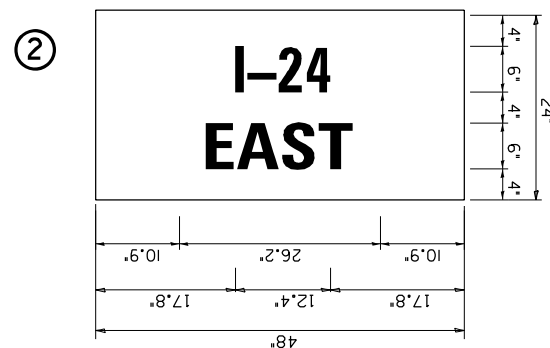
F.A.I. RTE.	SECTION	COUNTY	TOTAL SHEETS	SHEET NO.
24	(64-3B)BDR-1	MASSAC	10	9
CONTRACT NO. 78982				
ILLINOIS FED. AID PROJECT				

SIGN LEGEND

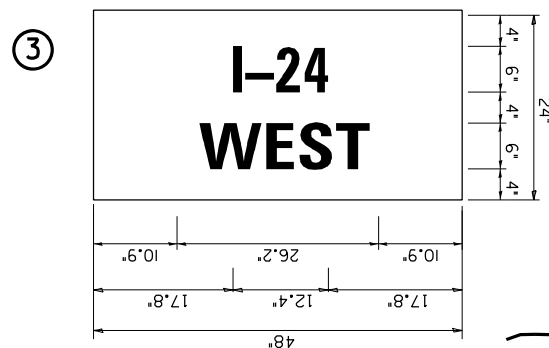


W12-1103

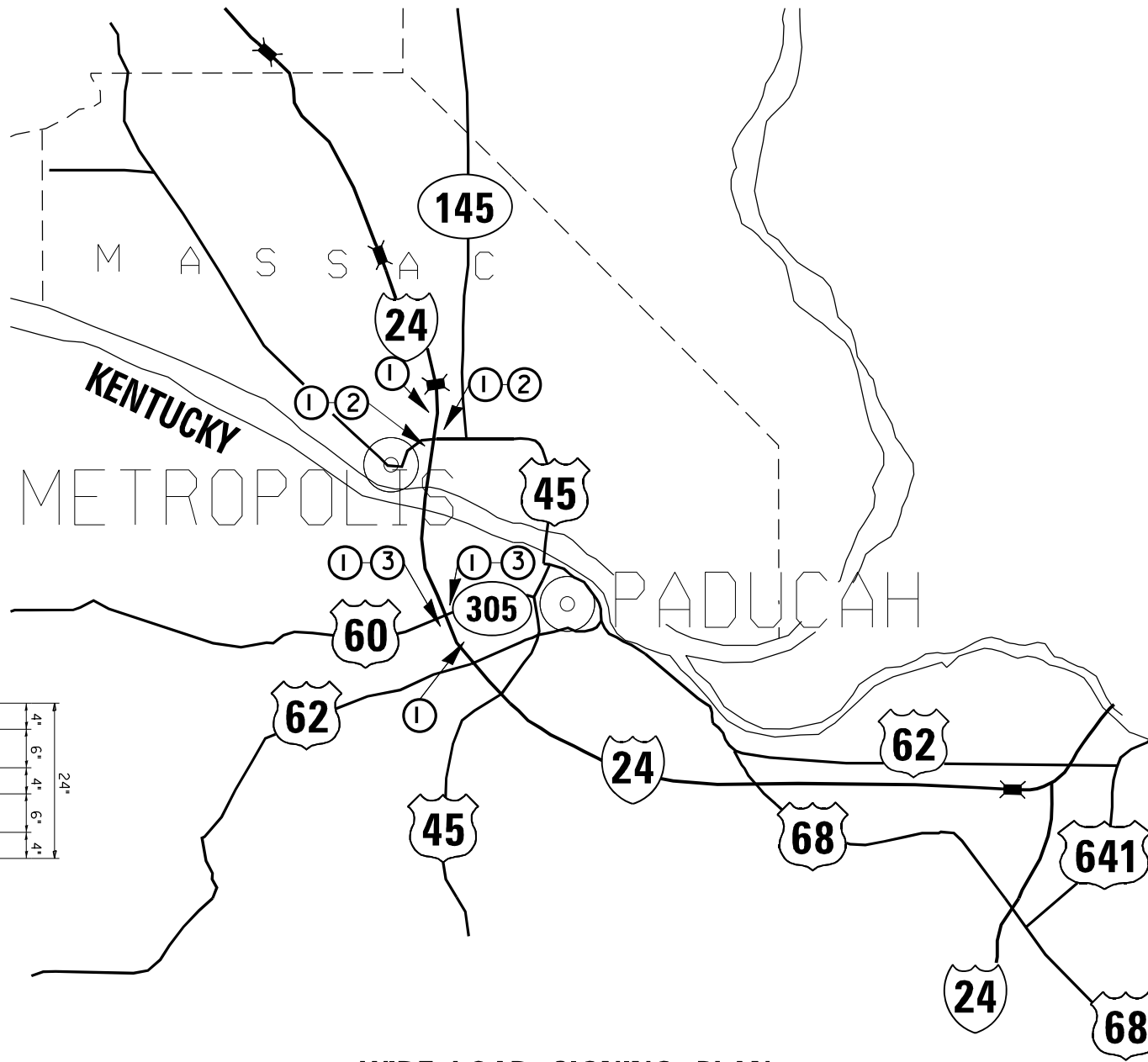
W12-1103 (WIDTH IS 8D);
 NO BORDER, BLACK ON WHITE;
 MAX WIDTH D;
 NO BORDER, BLACK ON ORANGE;
 *XX'-XX\"/>



NO BORDER, BLACK ON WHITE;
 I-24 D;
 NO BORDER, BLACK ON WHITE;
 EAST D



NO BORDER, BLACK ON WHITE;
 I-24 D;
 NO BORDER, BLACK ON WHITE;
 WEST D



WIDE LOAD SIGNING PLAN

DETOUR NOTES:

- THE CONTRACTOR SHALL FURNISH THE POSTS AND ERECT THE SIGNS AT THE LOCATIONS AS DIRECTED BY THE ENGINEER. ALL SIGNS SHALL BE POST MOUNTED.

 THE ABOVE NOTED WORK, INCLUDING SIGNS, POSTS, HARDWARE AND LABOR SHALL BE INCLUDED IN THE CONTRACT UNIT PRICE, LUMP SUM, FOR TRAFFIC CONTROL AND PROTECTION, STANDARD 701401 AND NO OTHER COMPENSATION WILL BE ALLOWED.

 THE WIDTH SHOWN ON THE W12-1103 SIGN SHALL BE 13'-6" FOR STAGE I AND STAGE II AS DIRECTED BY THE ENGINEER. THE *X* MILES AHEAD WILL BE DETERMINED BY THE ENGINEER.

MODEL: Wide Load Signing Plan (Sheet)
 FILE NAME: P:\GIS\Projects\78982\CADD\Drawings\DOT\Office\Drawings\78982\78982-Sub.dgn

USER NAME = Alicia.Fowler-Stevens	DESIGNED -	REVISED -
PLOT SCALE = 0.166666833 / in.	DRAWN -	REVISED -
PLOT DATE = 4/12/2023	CHECKED -	REVISED -
	DATE -	REVISED -

**STATE OF ILLINOIS
 DEPARTMENT OF TRANSPORTATION**

WIDE LOAD SIGNING PLAN

SCALE: SHEET 10 OF SHEETS STA. TO STA.

F.A.I. RTE.	SECTION	COUNTY	TOTAL SHEETS	SHEET NO.
24	(64-3B)BDR-1	MASSAC	10	10
CONTRACT NO. 78982				
ILLINOIS FED. AID PROJECT				