

06-16-2023 LETTING ITEM 208

TRAFFIC DATA (ADT)

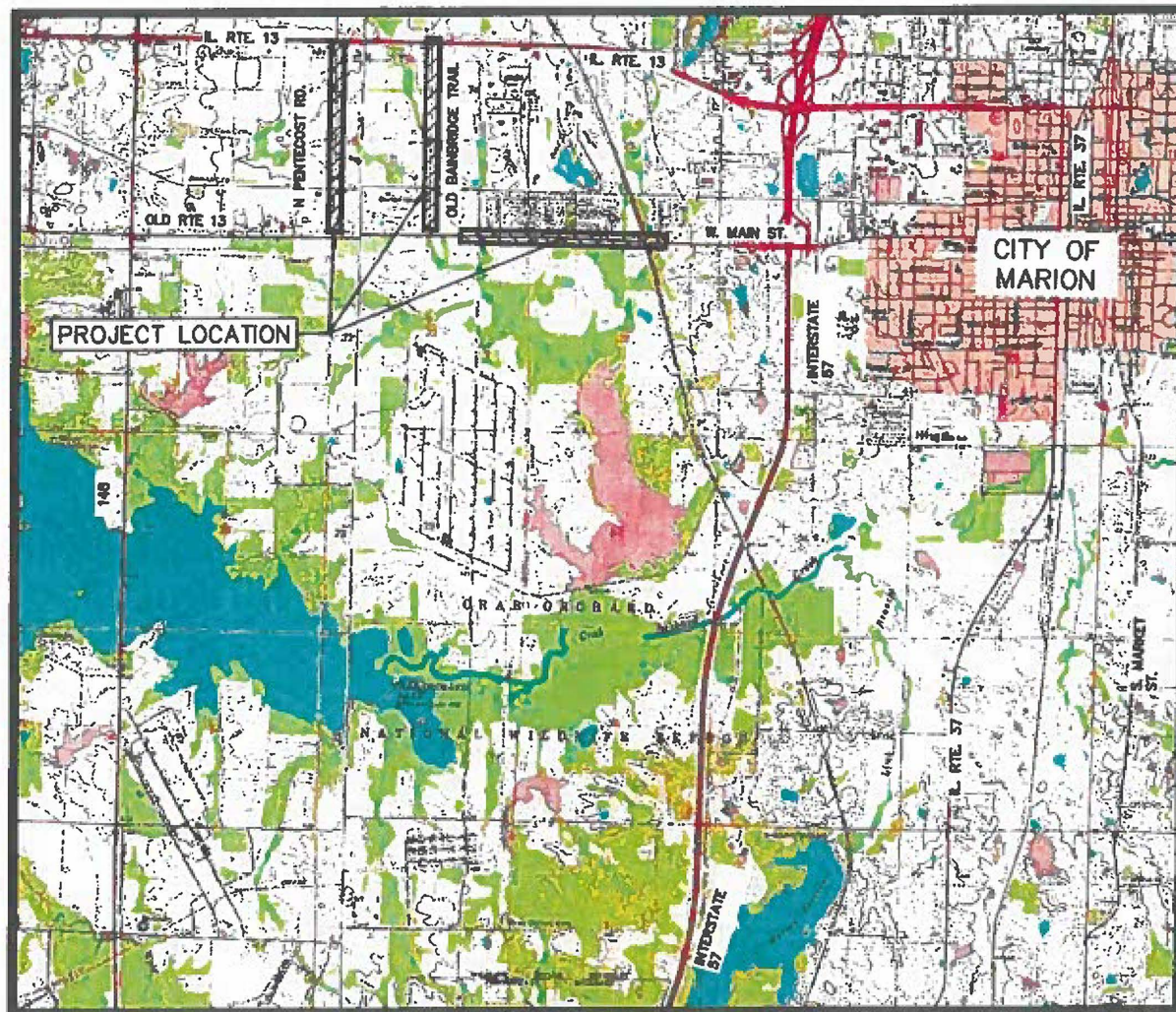
LOCATION	2022	2042
MAIN ST.	9,500	11,600
BAINBRIDGE	2,000	2,500
PENTECOST	2,200	2,700

CITY OF MARION, ILLINOIS CONSTRUCTION PLANS

FOR:

MAIN, BAINBRIDGE, & PENTECOST ST. RESURFACING

FAU 9629 (MAIN ST.) FAU 9623 (PENTECOST RD.) FAU 6002 (BAINBRIDGE TRAIL)
SECTION: 19-00125-00-RS PROJECT NO.: 216A(251)
WILLIAMSON COUNTY JOB NO.: C-99-043-20



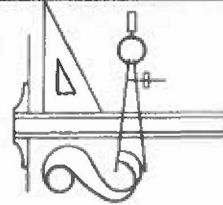
STATE OF ILLINOIS DEPARTMENT OF TRANSPORTATION	
APPROVED	<u>Feb 21</u> , 20 <u>23</u> <i>W. Ziegler</i> MAYOR, CITY OF MARION
PASSED	<u>4/10/23</u> , 20 <u>23</u> <i>[Signature]</i> DISTRICT ENGINEER OF LOCAL ROADS & STREETS
RELEASING FOR BID BASED ON LIMITED REVIEW	<u>4/10</u> , 20 <u>23</u> <i>[Signature]</i> DEPUTY DIRECTOR OF HIGHWAYS, REGION 5 ENGINEER

W. Brian Ziegler
WILLIAM BRIAN ZIEGLER, P.E.
DATE 2/23/23



EXPIRES : NOVEMBER 30, 2021

LOCATION MAP
(NTS)
GROSS LENGTH = 14,767.97 FT. = 2.80 MILES
NET LENGTH = 14,338.72 FT. = 2.72 MILES



CLARIDA & ZIEGLER ENGINEERING CO.
410 North Court Street / P.O. Box 937
Marion, Illinois 62959

Project # 19194

CONTRACT NO.: 99708

STATE OF ILLINOIS PROFESSIONAL DESIGN FIRM LICENSE NO. 184-004515	
© 2023 ALL RIGHTS RESERVED	
CLARIDA & ZIEGLER ENGINEERING CO.	
410 North Court St, P.O. Box 937 Marion, Illinois 62959 Phone - (618)983-6411, Fax - (618)983-6750	
COVER MAIN, BAINBRIDGE, & PENTECOST RESURFACING CITY OF MARION, ILLINOIS	
Date	FEBR 2022
DR. By	CLZ
CR'D By	WZ
Scale	NO SCALE
Job No.	19194
Sheet No.	01 of 16

INDEX OF SHEETS

SHT.	SHEET DESCRIPTION
1 -	COVER
2 -	GENERAL NOTES AND HWY STDS.
3 -	SUM OF QUANTITIES
4 -	SCHEDULE - PAVEMENT MARKINGS
5 -	SCHEDULE - HMA
6 -	SCHEDULE - HMA
7 -	TYPICAL SECTIONS
8 -	TYPICAL SECTIONS
9 -	PENTECOST PLAN SHEET
10 -	PENTECOST PLAN SHEET
11 -	WEST MAIN PLAN SHEET
12 -	WEST MAIN PLAN SHEET
13 -	BAINBRIDGE PLAN SHEET
14 -	BAINBRIDGE PLAN SHEET
15 -	GENERAL DETAILS
16 -	GENERAL DETAILS

HIGHWAY STANDARDS

000001-08	STANDARD SYMBOLS ABBREVIATIONS AND PATTERNS
001006	DECIMAL EQUIVALENTS OF AN INCH AND FOOT
701501-06	URBAN LANE CLOSURE, 2L, 2W, UNDIVIDED
701502-09	URBAN LANE CLOSURE, 2L, 2W, WITH BIDIRECTIONAL LEFT TURN LANE
701901-08	TRAFFIC CONTROL DEVICES
780001-05	TYPICAL PAVEMENT MARKINGS
781001-04	TYPICAL APPLICATIONS RAISED REFLECTIVE PAVEMENT MARKERS

GENERAL NOTES

- UNDERGROUND STRUCTURES AND UTILITIES HAVE BEEN PLOTTED FROM AVAILABLE SURVEYS AND RECORDS AND, THEREFORE, THEIR LOCATION MUST BE CONSIDERED APPROXIMATE ONLY. THE VERIFICATION OF THE LOCATION OF ALL UNDERGROUND FACILITIES, STRUCTURES AND UTILITIES, EITHER SHOWN OR NOT SHOWN ON THESE PLANS, SHALL BE THE RESPONSIBILITY OF THE CONTRACTOR.
- CONTRACTOR SHALL CONTACT J.U.L.I.E. OPERATOR AT 1-800-892-0123 FOR MARKING OF EXISTING UNDERGROUND UTILITIES. J.U.L.I.E. SHOULD BE CONTACTED A MINIMUM OF 96 HOURS IN ADVANCE OF CONSTRUCTION. CONTRACTOR SHALL MEET ALL REQUIREMENTS FOR CROSSING OF ANY EXISTING UTILITIES.
- UNLESS MODIFIED BY THE PROJECT SPECIFICATIONS, ALL SITE WORK SHALL BE CONSTRUCTED IN ACCORDANCE WITH THE ILLINOIS DEPARTMENT OF TRANSPORTATION "STANDARD SPECIFICATIONS FOR ROAD AND BRIDGE CONSTRUCTION," LATEST EDITION. HOWEVER, STORM SEWER, SANITARY SEWER AND WATER LINE WORK SHALL BE PERFORMED IN ACCORDANCE WITH THE "STANDARD SPECIFICATIONS FOR WATER AND SEWER MAIN CONSTRUCTION IN ILLINOIS," LATEST EDITION. ALL SITE WORK SHALL COMPLY WITH THE ILLINOIS ACCESSIBILITY CODE.
- BUTT JOINTS WITHIN THE INLAID SECTIONS (BAINBRIDGE ROAD AND PENTECOST STREET) SHALL BE INCLUDED IN THE COST OF THE HMA SURFACE REMOVAL AND HMA RESURFACING AND NO ADDITIONAL COMPENSATION WILL BE ALLOWED.

HMA MIXTURE REQUIREMENTS

LOCATIONS:	HOT-MIX ASPHALT SURFACE	INCIDENTAL HMA SURFACING
MIXTURE USE(S):	POLYMERIZED HOT-MIX ASPHALT SURFACE COURSE, MIX D, N90	HOT-MIX ASPHALT SURFACE COURSE, MIX C, N30
PG:	PG64-22	PG64-22
DESIGN AIR VOIDS:	4.0 %, 70 GYRATION DESIGN	4.0 %, 30 GYRATION DESIGN
MIXTURE COMPOSITION: (GRADATION MIXTURE)	IL-9.5MM L	IL-9.5MM L
FRICTION AGGREGATE:	D SURFACE	NONE
MIXTURE WEIGHT:	112 LBS/SQ YD/IN	112 LBS/SQ YD/IN
QUALITY MANAGEMENT PROGRAM:	QC/QA	QC/QA
SUBLOT SIZE:	NA	NA
MATERIAL TRANSFER DEVICE:	NO	NO

ROUTE NO.	SECTION	COUNTY	TOTAL SHEETS	SHEET NO.
*	19-00125-00-RS	WILLIAMSON	2	10
ILLINOIS		MAIN, BAINBRIDGE, & PENTECOST		

CONTRACT NO. 99708
 * FAU 9629 (MAIN ST.)
 * FAU 9623 (PENTECOST RD.)
 * FAU 6002 (BAINBRIDGE TRAIL)

STATE OF ILLINOIS PROFESSIONAL DESIGN FIRM LICENSE NO. 184-004515

REVISIONS	
DATE	NO.

© 2023 ALL RIGHTS RESERVED
CLARIDA & ZIEGLER ENGINEERING CO.
 410 North Court St, P.O. Box 937
 Marion, Illinois 62958
 Phone - (618)993-6411, Fax - (618)993-6750

GENERAL NOTES & HWY STDS.
MAIN, BAINBRIDGE, & PENTECOST RESURFACING
CITY OF MARION, ILLINOIS

Date: FEB 2023 DR. By: DLH CK'D By: JVV
 Scale: Job No. 19194 Sheet No. 02 of 16

P:\19194 - Marion - Main, Bainbridge, Pentecost - Plans\02-03 SQ & General Layout.dwg 2-24-23 10:54:05 AM mikermey

SUMMARY OF QUANTITIES

COUNTY:	WILLIAMSON
CITY:	MARION
ROUTE:	VARIOUS
FUNDING:	(STU) 80% FED. 20% LOCAL
LOCATION	URBAN
TYPE CODE	ROADWAY 0005

ROUTE NO.	SECTION	COUNTY	TOTAL SHEETS	SHEET NO.
*	19-00125-00-RS	WILLIAMSON	3	16
ILLINOIS		MAIN, BAINBRIDGE, & PENTECOST		

CONTRACT NO. 99708
 * FAU 9629 (MAIN ST.)
 * FAU 9623 (PENTECOST RD.)
 * FAU 6002 (BAINBRIDGE TRAIL)

CODE NUMBER	ITEM DESCRIPTION	UNIT	QUANTITY
40600295	POLYMERIZED BITUMINOUS MATERIALS (TACK COAT)	POUND	22,310
40600982	HOT-MIX ASPHALT SURFACE REMOVAL - BUTT JOINT	SQ YD	451
40600985	PORTLAND CEMENT CONCRETE SURFACE REMOVAL - BUTT JOINT	SQ YD	65
40600990	TEMPORARY RAMP	SQ YD	207
40604164	POLYMERIZED HOT-MIX ASPHALT SURFACE COURSE, IL-9.5, MIX "D", N90	TON	4,278
40800050	INCIDENTAL HOT-MIX ASPHALT SURFACING	TON	23
44000155	HOT-MIX ASPHALT SURFACE REMOVAL, 1 1/2"	SQ YD	31,619
67100100	MOBILIZATION	L SUM	1
70300100	SHORT TERM PAVEMENT MARKING	FOOT	2,000
70300150	SHORT TERM PAVEMENT MARKING REMOVAL	SQ FT	667
* 78001100	PAINT PAVEMENT MARKING - LETTERS AND SYMBOLS	SQ FT	421.6
* 78001110	PAINT PAVEMENT MARKING - LINE 4"	FOOT	19,018
* 78001150	PAINT PAVEMENT MARKING - LINE 12"	FOOT	151
* 78001180	PAINT PAVEMENT MARKING - LINE 24"	FOOT	180
* 78100100	RAISED REFLECTIVE PAVEMENT MARKER	EACH	269
78300200	RAISED REFLECTIVE PAVEMENT MARKER REMOVAL	EACH	269
X7010216	TRAFFIC CONTROL AND PROTECTION, (SPECIAL)	L SUM	1

*SPECIALITY ITEMS

P:\19184 - Marion - Main, Bainbridge, Pentecost (S) Drawings - Plans\02-03-500 & General Layout.dwg 2-21-23 01:17:28 PM mikrunkey

STATE OF ILLINOIS PROFESSIONAL DESIGN FIRM LICENSE NO. 184-004515	
© 2023 ALL RIGHTS RESERVED	
CLARIDA & ZIEGLER ENGINEERING CO.	
410 North Court St. P.O. Box 937 Marion, Illinois 62959 Phone - (618)993-6411, Fax - (618)993-6750	
SUMMARY OF QUANTITIES MAIN, BAINBRIDGE, & PENTECOST RESURFACING CITY OF MARION, ILLINOIS	
Date	FEB 2022
DR By	DLB
CK'd By	JVZ
Scale	Job No. 19194 Sheet No. 03 of 16

PAVEMENT MARKING SCHEDULE

ROUTE NO.	SECTION	COUNTY	TOTAL SHEETS	SHEET NO.
*	19-00125-00-RS	WILLIAMSON	4	16
ILLINOIS		MAIN, BAINBRIDGE, & PENTECOST		

CONTRACT NO. 99708
 * FAU 9629 (MAIN ST.)
 * FAU 9623 (PENTECOST RD.)
 * FAU 6002 (BAINBRIDGE TRAIL)

LOCATION			DESCRIPTION	PAINT PAVEMENT MARKING - LETTERS & SYMBOLS	PAINT PAVEMENT MARKING -				RAISED REFLECTIVE PAVEMENT MARKERS (AMBER)	RAISED REFLECTIVE PAVEMENT MARKERS (CRYSTAL)	
					LINE 4"		LINE 12"	LINE 24"			
					WHITE	YELLOW	WHITE	WHITE			
STATION	TO	STATION		SQ FT	FOOT	FOOT	FOOT	FOOT	EACH	EACH	
MAIN STREET TOTALS											
680+50	TO	731+00	EDGE LINE - EB		5,050						
680+50	TO	731+00	EDGE LINE - WB		5,050						
680+50	TO	731+00	CENTERLINE - SKIP-DASH			1,263			65		
692+12	TO	698+72	CENTERLINE - EB			660					
699+12	TO	705+00	CENTERLINE - WB			588					
MAIN STREET TOTALS					10,100	2,511	0	0	65	0	
BAINBRIDGE TRAIL											
5+80	TO	10+23	LANE LINE SKIP DASH - NB		111						
7+00	TO	9+64	LANE LINE S B		264					13	
7+05			"ONLY" - SB LTL	20.8							
7+05			"ONLY" - SB RTL	20.8							
7+30			LT TURN ARROW - SB LTL	15.6							
7+30			RT TURN ARROW - SB RTL	15.6							
8+00	TO	9+64	MEDIAN-SB			164			4		
8+00	TO	9+64	MEDIAN-NB			164					
8+/-70			"ONLY" - SB LTL	20.8							
8+/-95			LT TURN ARROW-SB LTL	15.6							
9+64			STOP BAR-SB						12		
10+59	TO	17+00	TWLT SOLID LINE			1,282					
10+59	TO	17+00	TWLT SKIP-DASH			322			23		
11+00			LT TURN ARROW-NB LTL	15.6							
11+25			"ONLY" - NB LTL	20.8							
13+30			TWLT ARROW	15.6							
13+50			TWLT ARROW	15.6							
17+00	TO	19+00	TAPER LINES			400					
17+00	TO	19+00	TAPER DIAGONAL LINES				151				
19+00	TO	54+18	CL SKIP-DASH			880			71		
39+42	TO	43+42	CL AT RAILROAD			400					
39+90			STOP BAR-SB						14		
40+15			2 "R" (6FT) - SB	7.2							
40+15			"X" (20FT) - SB	54							
40+40			STOP BAR-SB						14		
43+42			STOP BAR-SB						14		
43+88			STOP BAR-NB						14		
43+88	TO	47+88	CL AT RAILROAD			400					
46+95			STOP BAR-NB						14		
47+20			"X" (20FT) - NB	54							
47+20			2 "R" (6FT) - NB	7.2							
47+45			STOP BAR-NB						14		
52+00	TO	56+50	CONCRETE						6	6	
BAINBRIDGE TRAIL TOTALS					299.2	375	4012	151	96	104	19

LOCATION			DESCRIPTION	PAINT PAVEMENT MARKING - LETTERS & SYMBOLS	PAINT PAVEMENT MARKING -				RAISED REFLECTIVE PAVEMENT MARKERS (AMBER)	RAISED REFLECTIVE PAVEMENT MARKERS (CRYSTAL)	
					LINE 4"		LINE 12"	LINE 24"			
					WHITE	YELLOW	WHITE	WHITE			
STATION	TO	STATION		SQ FT	FOOT	FOOT	FOOT	FOOT	EACH	EACH	
PENTECOST ROAD											
1+50	TO	3+00	TURN LANE							5	
3+01	TO	51+81	CL SKIP-DASH			1,220			66		
36+57	TO	40+57	CL AT RAILROAD			400					
37+05			STOP BAR-SB						14		
37+30			2 "R" (6FT) - SB	7.2							
37+30			"X" (20FT) - SB	54							
37+55			STOP BAR-SB						14		
40+57			STOP BAR-SB						14		
41+03			STOP BAR-NB						14		
41+03	TO	45+03	CL AT RAILROAD			400					
44+10			STOP BAR-NB						14		
44+35			"X" (20FT) - NB	54							
44+35			2 "R" (6FT) - NB	7.2							
44+60			STOP BAR-NB						14		
51+81	TO	54+00	CONCRETE						6	4	
PENTECOST ROAD TOTALS					122.4	0	2,020	0	84	72	9
PROJECT TOTALS					421.6	19,018	151	180	241	28	

P:\19194 - Marion - Main, Bainbridge, Pentecost RS\Drawings - Plans\02-03 SQ0 & General Layout.dwg 2-23-23 02:57:15 PM mikrumey

STATE OF ILLINOIS PROFESSIONAL DESIGN FIRM LICENSE NO. 184-004515											
<table border="1" style="width: 100%; border-collapse: collapse;"> <tr> <th colspan="2">REVISIONS</th> </tr> <tr> <th>DATE</th> <th>NO.</th> </tr> <tr> <td> </td> <td> </td> </tr> <tr> <td> </td> <td> </td> </tr> <tr> <td> </td> <td> </td> </tr> </table>	REVISIONS		DATE	NO.							<p>© 2021 ALL RIGHTS RESERVED</p> <p>CLARIDA & ZIEGLER ENGINEERING CO. 410 North Court St, P.O. Box 937 Marion, Illinois 62959 Phone - (618)993-6411, Fax - (618)993-6750</p> <p>SCHEDULE - PAVEMENT MARKING MAIN, BAINBRIDGE, & PENTECOST RESURFACING CITY OF MARION, ILLINOIS</p> <p>Date FEB 2022 DR. By DLG CKD By JVZ Scale Job No. 19194 Sheet No. 04 of 16</p>
REVISIONS											
DATE	NO.										

HMA SCHEDULE

ROUTE NO.	SECTION	COUNTY	TOTAL SHEETS	SHEET NO.
*	19-00125-00-RS	WILLIAMSON	6	16
ILLINOIS		MAIN, BANBRIDGE, & PENTECOST		

CONTRACT NO. 99708
 * FAU 9629 (MAIN ST.)
 * FAU 9623 (PENTECOST RD.)
 * FAU 6002 (BANBRIDGE TRAIL)

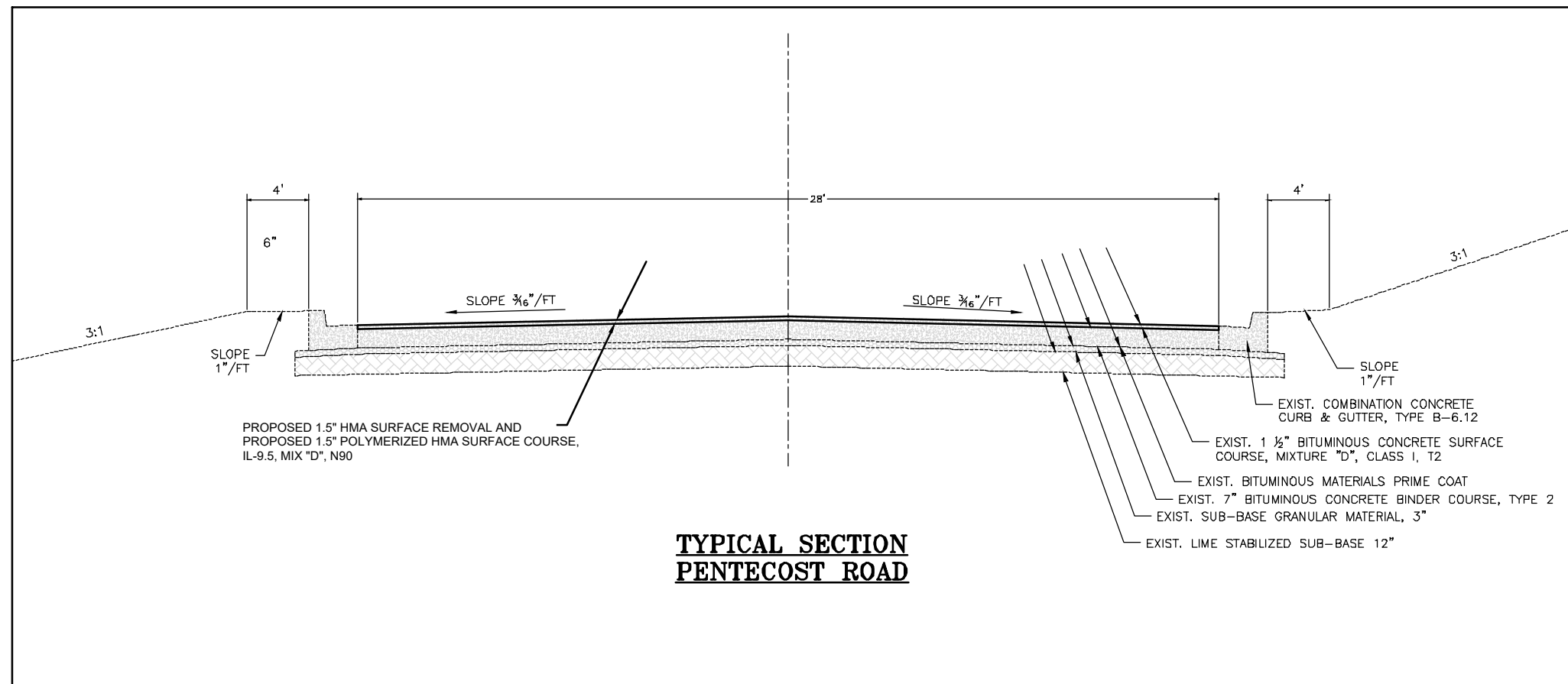
LOCATION	STATION		LENGTH	PVT WIDTH	AREA	POLYMERIZED HOT-MIX ASPHALT SURFACE COURSE, IL-9.5 MIX "D", N90, 1.5"	HMA SURFACE REMOVAL, VARIABLE DEPTH 1.5"	POLYMERIZED BITUMINOUS MATERIALS (TACK COAT)	HMA SURFACE REMOVAL BUTT JOINT	PCC SURFACE REMOVAL BUTT JOINT	INCIDENTAL BITUMINOUS RESURFACING	TEMPORARY RAMP
	FROM	TO	FOOT	FOOT	SF	TON	SY	POUND	SY	SY	TON	SY
Main St												
PAVEMENT WIDTH	680+50.00	731+00.00	5050.00	24	121,200.00	1,161.5	0.0	6,060.0				
4' SHOULDER WIDTHS	680+50.00	731+00.00	5050.00	8	40,400.00	387.2	0.0	2,020.0				
MAINLINE BUTT JOINT	680+20.00	680+50.00	30.00	32					107			13.3
MAINLINE BUTT JOINT	731+00.00	731+30.00	30.00	32					107			13.3
N. PLAINS AVE			47.00	7					37		3.1	
N. CHAMBERLAIN DR.			46.00	7					36		3.0	
SKYLINE DR.			84	7						65	3.5	
WESTERNAIRE DR.			54.00	7					42		3.5	
WHIPPORWILL DR.			56.00	7					44		3.7	
LIGALE AVE.			56.00	7					44		3.7	
BOSWELL RD.			46.00	7					36		3.0	
GROSS LENGTH			5050.00									
NET LENGTH			5050.00									
MAIN STREET TOTALS						1,549	0	8,080	451	65	23	26.7
TOTAL GROSS LENGTH			5,050.00									
TOTAL NET LENGTH			5,050.00									
PROJECT TOTAL						4,278	31,619	22,310	451	65	23	207

P:\19194 - Marion - Main, Banbridge, Pentecost RS\Drawings - Plans\02-03 S00 & General Layout.dwg 2-23-23 02:57:39 PM mikrumey

STATE OF ILLINOIS PROFESSIONAL DESIGN FIRM LICENSE NO. 184-004515															
<table border="1"> <tr> <th colspan="2">REVISIONS</th> </tr> <tr> <th>DATE</th> <th>NO.</th> </tr> <tr> <td> </td> <td> </td> </tr> <tr> <td> </td> <td> </td> </tr> <tr> <td> </td> <td> </td> </tr> <tr> <td> </td> <td> </td> </tr> <tr> <td> </td> <td> </td> </tr> </table>	REVISIONS		DATE	NO.											<p>© 2021 ALL RIGHTS RESERVED</p> <p>CLARIDA & ZIEGLER ENGINEERING CO. 410 North Court St, P.O. Box 937 Marion, Illinois 62959 Phone - (618)993-6411, Fax - (618)993-6750</p> <p>SCHEDULES - HMA MAIN, BANBRIDGE, & PENTECOST RESURFACING CITY OF MARION, ILLINOIS</p> <p>Date FEB 2022 DR. By DLG CKD By JVZ Scale Job No. 19194 Sheet No. 06 of 16</p>
REVISIONS															
DATE	NO.														

ROUTE NO.	SECTION	COUNTY	TOTAL SHEETS	SHEET NO.
*	19-00125-00-RS	WILLIAMSON	8	16
ILLINOIS		MAIN, BAINBRIDGE, & PENTECOST		

CONTRACT NO. 99708
 * FAU 9629 (MAIN ST.)
 * FAU 9623 (PENTECOST RD.)
 * FAU 6002 (BAINBRIDGE TRAIL)

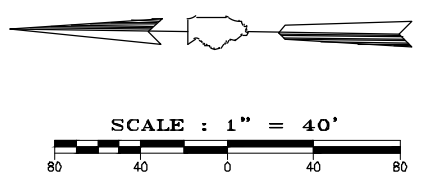
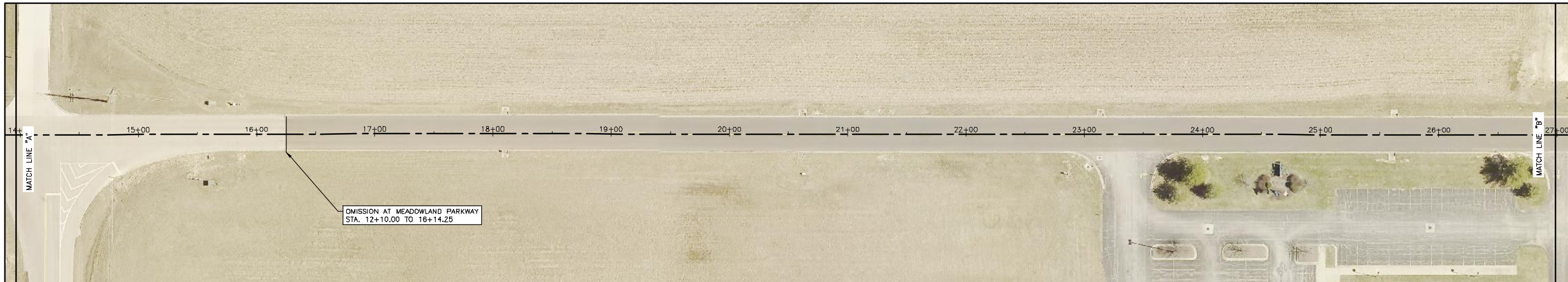


TO BE USED: STA 3+00.88 TO 51+80.85
 (SEE HMA SCHEDULE FOR VARIABLE WIDTH SECTIONS)

STATE OF ILLINOIS PROFESSIONAL DESIGN FIRM LICENSE NO. 184-004515	
ALL RIGHTS RESERVED	
CLARIDA & ZIEGLER ENGINEERING CO.	
410 North Court St, P.O. Box 937 Marion, Illinois 62959 Phone - (618)993-6411, Fax - (618)993-6750	
TYPICAL SECTIONS MAIN, BAINBRIDGE, & PENTECOST RESURFACING CITY OF MARION, ILLINOIS	
Date	FEB 2022
DR. By	DLB
CK'D By	JVZ
Scale	Job No. 19194 Sheet No. 08 of 16

ROUTE NO.	SECTION	COUNTY	TOTAL SHEETS	SHEET NO.
*	19-00125-00-RS	WILLIAMSON ILLINOIS	9	16
		MAIN, BAINBRIDGE, & PENTECOST		

CONTRACT NO. 99708
 FAU 9629 (MAIN ST.)
 FAU 9623 (PENTECOST RD.)
 FAU 6002 (BAINBRIDGE TRAIL)



STATE OF ILLINOIS PROFESSIONAL DESIGN FIRM LICENSE NO. 184-004515

REVISIONS	DATE	NO.

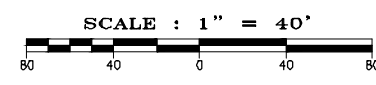
© ALL RIGHTS RESERVED
CLARIDA & ZIEGLER
ENGINEERING CO.
 410 North Court St, P.O. Box 937
 Marion, Illinois 62959
 Phone - (618)993-6411, Fax - (618)993-6750

N PENTECOST RD PLAN VIEW
MAIN, BAINBRIDGE, & PENTECOST RESURFACING
CITY OF MARION, ILLINOIS

Date FEB 2022 DR. By DLB OKD By JVZ
 Scale Job No. 19194 Sheet No. 09 of 16

ROUTE NO.	SECTION	COUNTY	TOTAL SHEETS	SHEET NO.
* 19-00125-00-RS		WILLIAMSON	11	16
		ILLINOIS	MAIN, BAINBRIDGE, & PENTECOST	

CONTRACT NO. 99708
 * FAU 9629 (MAIN ST.)
 * FAU 9623 (PENTECOST RD.)
 * FAU 6002 (BAINBRIDGE TRAIL)



STATE OF ILLINOIS PROFESSIONAL DESIGN FIRM LICENSE NO. 184-004515

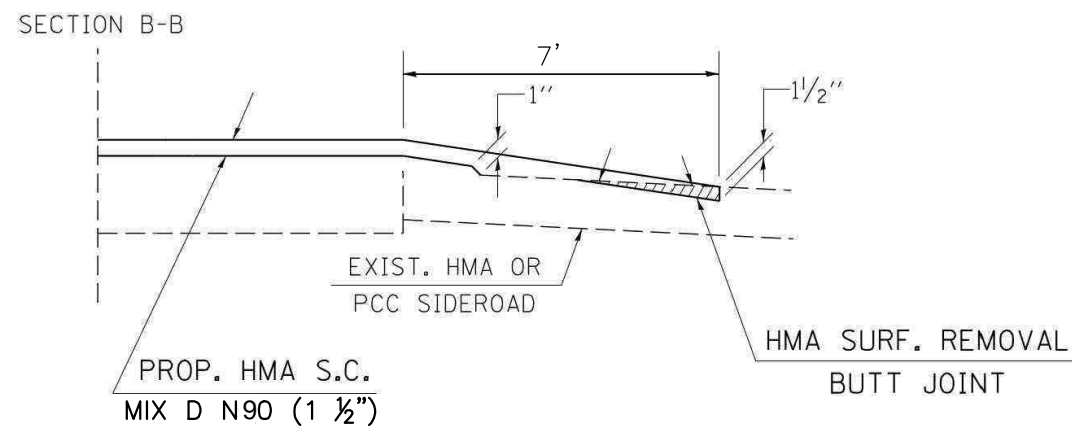
REVISIONS	DATE	NO.

© ALL RIGHTS RESERVED
CLARIDA & ZIEGLER ENGINEERING CO.
 410 North Court St, P.O. Box 937
 Marion, Illinois 62959
 Phone - (618)993-6411, Fax - (618)993-6750

WEST MAIN PLAN VIEW
MAIN, BAINBRIDGE, & PENTECOST RESURFACING
CITY OF MARION, ILLINOIS

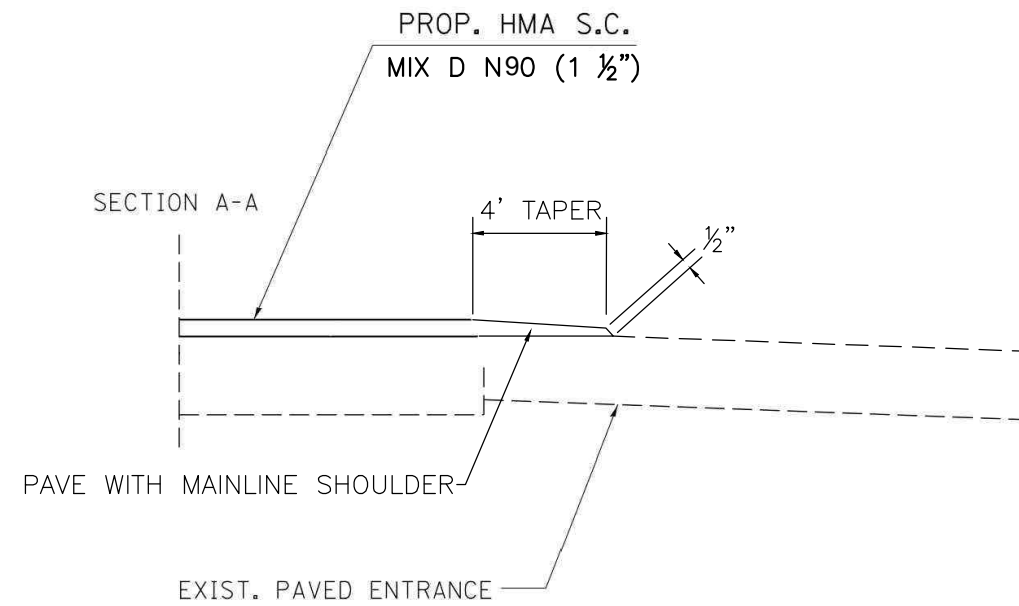
Date FEB 2022 DR. By DLB CKD By JVZ
 Scale Job No. 19194 Sheet No. 11 of 16

MAIN STREET SIDEROAD DETAIL
EXISTING HMA OR PCC SURFACE




TO BE USED: N. PLAINS AVE. WHIPPORWILL LANE
 N. CHAMBERLINE DR. LINGALE AVE.
 SKYLINE DR. BOSWELL RD.
 WESTERNAIRE DR.

MAIN STREET EX. BIT.,
PCC, OR OIL & CHIP
PRIVATE COMMERCIAL, OR
FIELD ENTRANCE DETAIL



P:\19194 - marion - main, bainbridge, pentecost rs\drawings - plans\02-03 500 & General Layout.dwg 2-22-22 08:21:41 AM Survey

STATE OF ILLINOIS PROFESSIONAL DESIGN FIRM LICENSE NO. 184-004515	
© 2021 ALL RIGHTS RESERVED	
 CLARIDA & ZIEGLER ENGINEERING CO. 410 North Court St, P.O. Box 937 Marion, Illinois 62959 Phone - (618)993-6411, Fax - (618)993-6750	
DETAILS	
MAIN, BAINBRIDGE, & PENTECOST RESURFACING	
CITY OF MARION, ILLINOIS	
Date	FEB 2022
DR. By	DLB
CK'D By	JVZ
Scale	
Job No.	19194
Sheet No.	15 of 16

