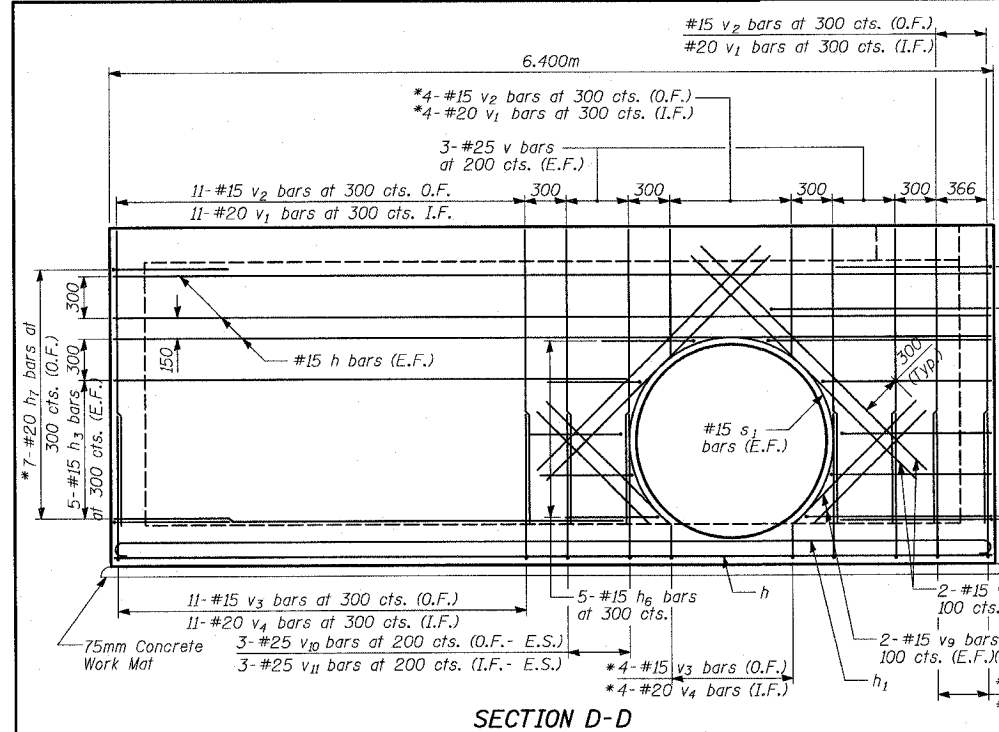
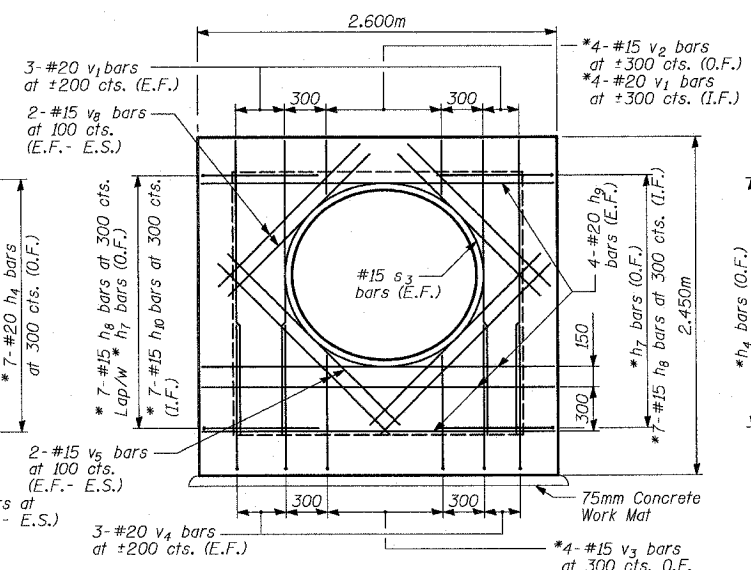


STATE OF ILLINOIS
DEPARTMENT OF TRANSPORTATION

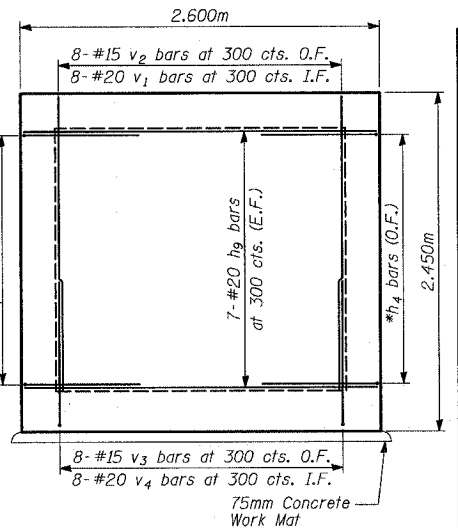
FAP	SECTION	COUNTY	SHEETS	SHEET	SHEET NO.
337	20R-5	LAKE	562	221	3 SHEETS
D-91-552-99					Contract No. 60881



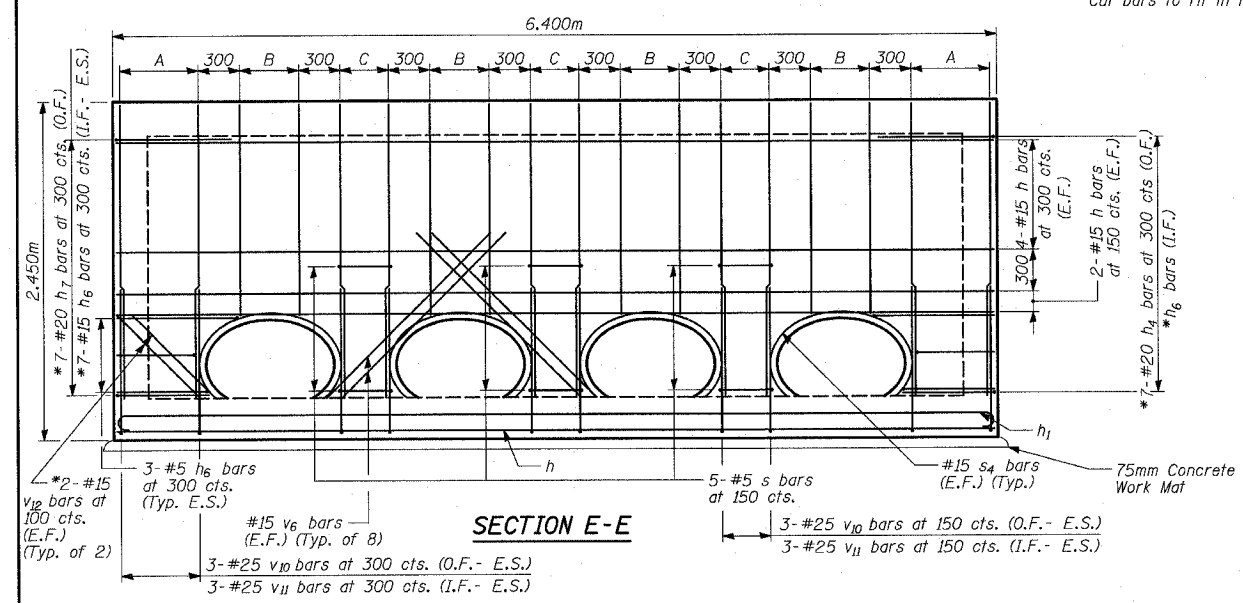
SECTION D-D



SECTION F-F



SECTION G-G



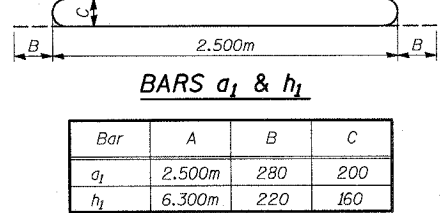
SECTION E-E

A	3-#25 v bars at 300 cts. (E.F.)
B	3-#15 v2 bars at 250 cts. (O.F.) 3-#20 v1 bars at 250 cts. (I.F.)
C	3-#25 v bars at 150 cts. (E.F.)

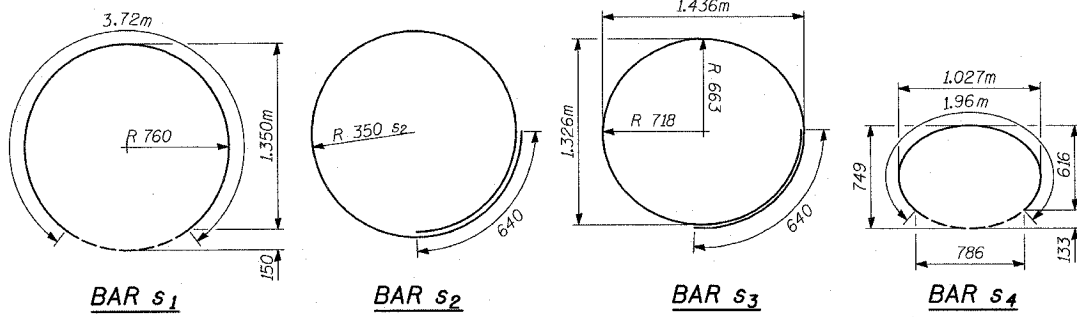
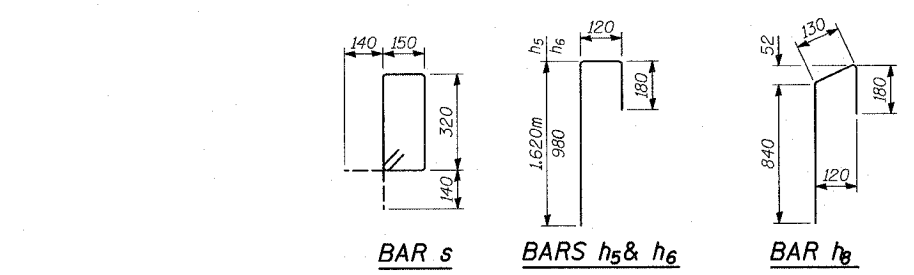
TYLIN INTERNATIONAL

DESIGNED	MI, DJR
CHECKED	TD
DRAWN	DJR
CHECKED	TD
DATE	03-22-2004

NOTES:
Reinforcement bar clearance to be 50mm unless otherwise noted.
E.F. - denotes Each Face
E.S. - denotes Each Side
I.F. - denotes Inside Face
O.F. - denotes Outside Face
* Cut bars to fit in field

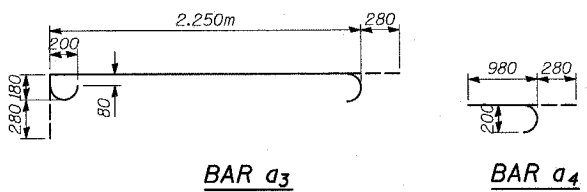


Bar	A	B	C
a1	2.500m	280	200
h1	6.300m	220	160



BARS h4, h7, v3, v4, v10 & v11

Bar	A	B
h4	1.120m	830
h7	830	830
v3	890	890
v4	1.020m	320
v10	1.280m	890
v11	1.280m	400



BILL OF MATERIAL

Bar	No.	Size	Length (m)	Shape
a	43	#15	2.50	
a1	45	#25	3.06	
a2	3	#25	2.50	
a3	15	#25	2.99	
a4	15	#25	1.26	
a5	12	#15	1.50	
a6	4	#15	0.71	
h	35	#15	6.30	
h1	25	#20	6.74	
h2	3	#20	6.30	
h3	10	#15	3.85	
h4	14	#20	1.95	
h5	6	#15	1.92	
h6	19	#15	1.28	
h7	14	#20	1.66	
h8	14	#15	1.15	
h9	22	#20	2.50	
h10	7	#15	0.91	
s	15	#15	1.22	
s1	2	#15	3.72	
s2	2	#15	2.84	
s3	2	#15	4.98	
s4	8	#15	1.96	
v	42	#25	2.10	
v1	53	#20	2.10	
v2	41	#15	2.10	
v3	29	#15	1.78	
v4	41	#20	1.34	
v5	8	#15	1.75	
v6	32	#15	1.68	
v7	8	#15	2.29	
v8	8	#15	1.45	
v9	8	#15	1.15	
v10	21	#25	2.17	
v11	21	#25	1.68	
v12	8	#15	0.86	
Concrete Structures			CU M	17
Reinforcement Bars			KG	3,750

DETAILS 2

JUNCTION CHAMBER 3
STA. 103+776.300
IL ROUTE 22
FAP 337 SECTION 20R-5
IL RTE 83 TO US 45/IL 21
LAKE COUNTY