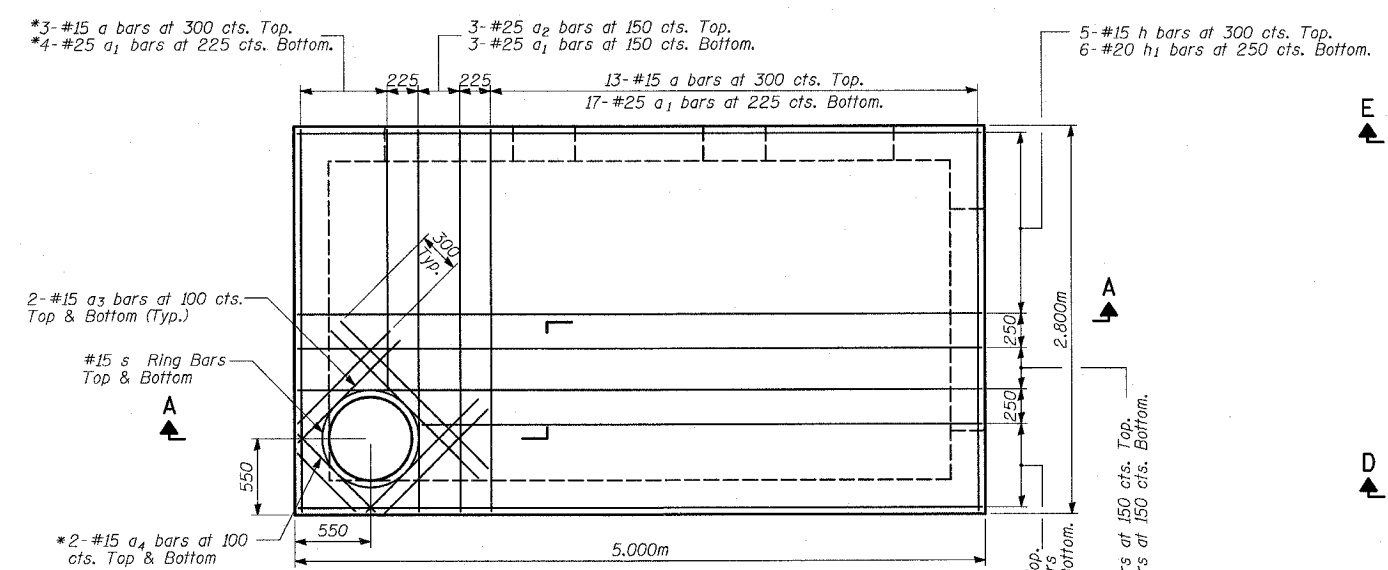
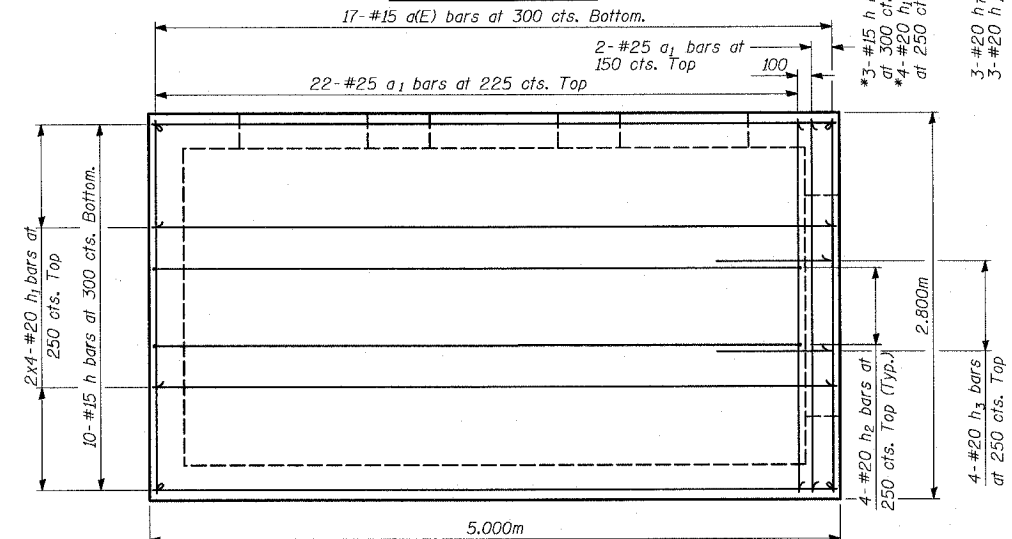


STATE OF ILLINOIS
DEPARTMENT OF TRANSPORTATION

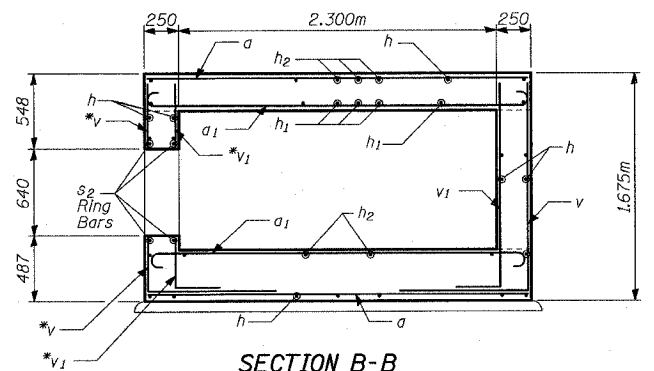
FAP	SECTION	COUNTY	LEGAL	SHEET	SHEET NO. 2 3 SHEETS
337	20R-5	LAKE	562	223	
FED. ROAD DIST. NO. 7		ILLINOIS	FED. AID PROJECT		Contract No. 60881
0-91-552-99					



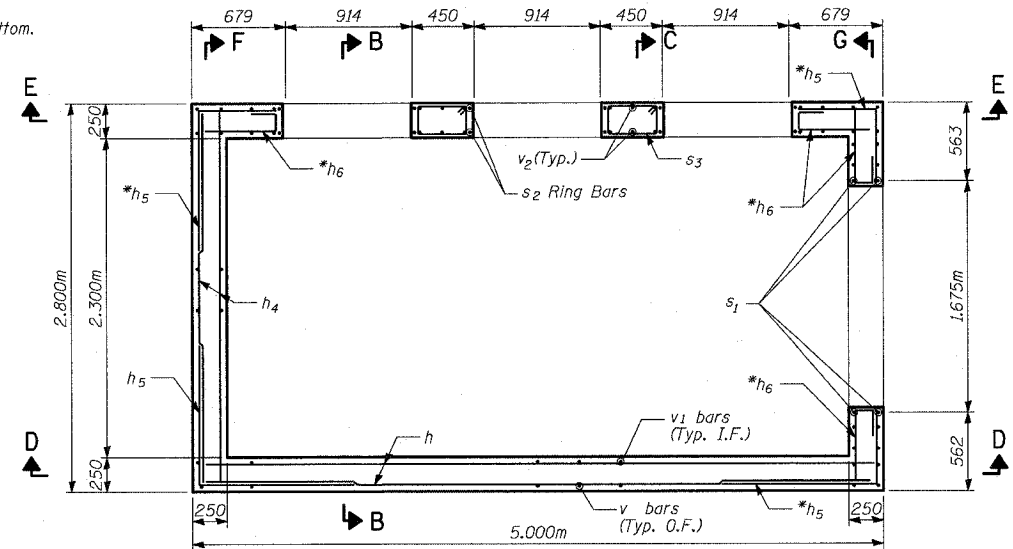
ROOF SLAB PLAN



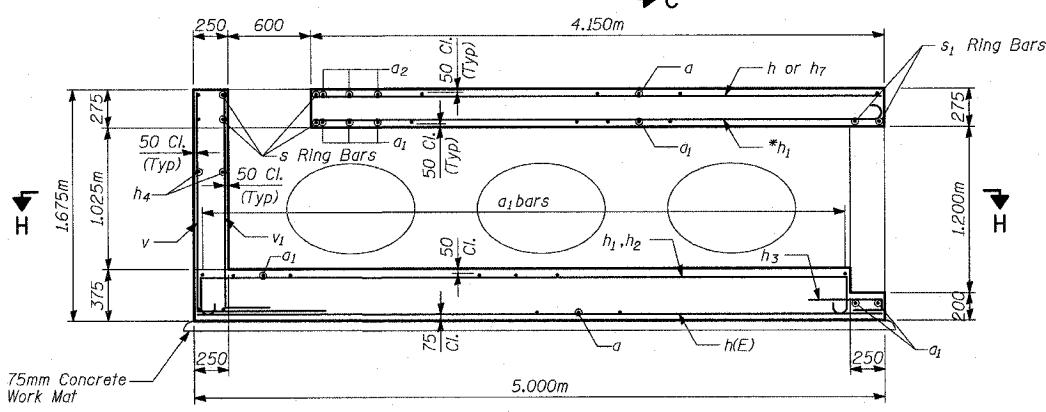
BOTTOM SLAB PLAN



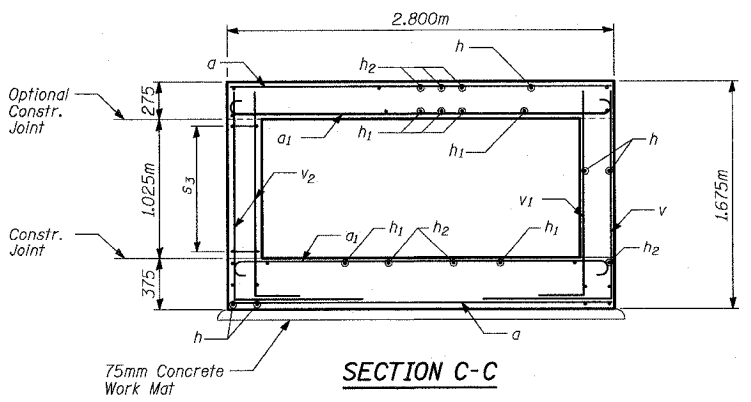
SECTION B-B



SECTIONAL PLAN H-H



SECTION A-A



SECTION C-C

NOTES:
Reinforcement bar clearance to be 50mm unless otherwise noted.
E.F. - denotes Each Face
E.S. - denotes Each Side
I.F. - denotes Inside Face
O.F. - denotes Outside Face
* Cut bars to fit in field

TYLIN INTERNATIONAL

DESIGNED	MI, MAF
CHECKED	TD
DRAWN	MAF, BK
CHECKED	TD
DATE	03-22-2004

DETAILS 1
JUNCTION CHAMBER 4 STA. 104+013.220 IL ROUTE 22 FAP 337 SECTION 20R-5 IL RTE 83 TO US 45/IL 21 LAKE COUNTY