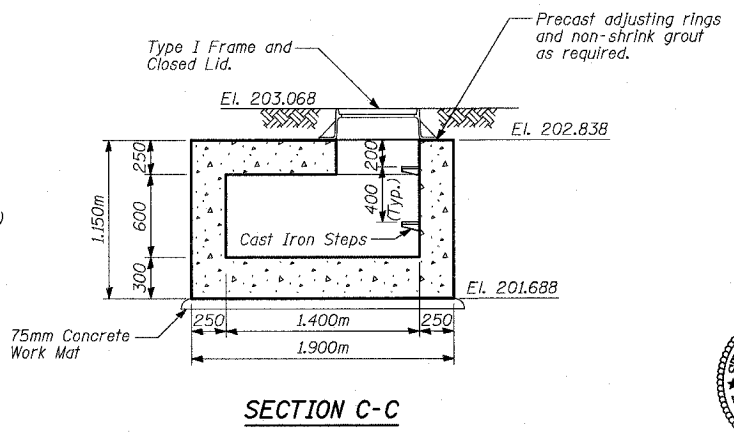
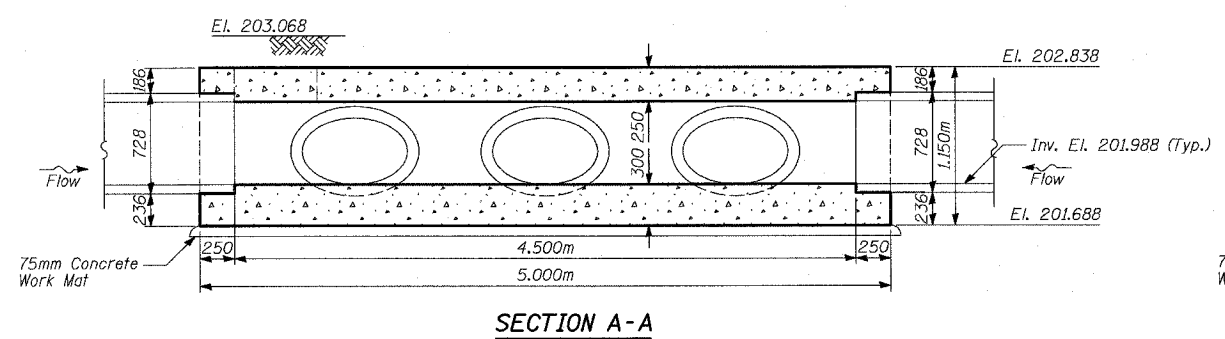
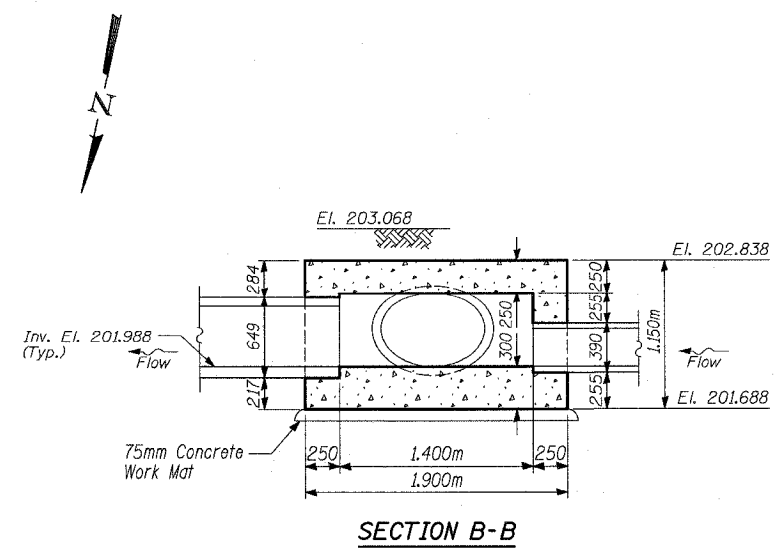
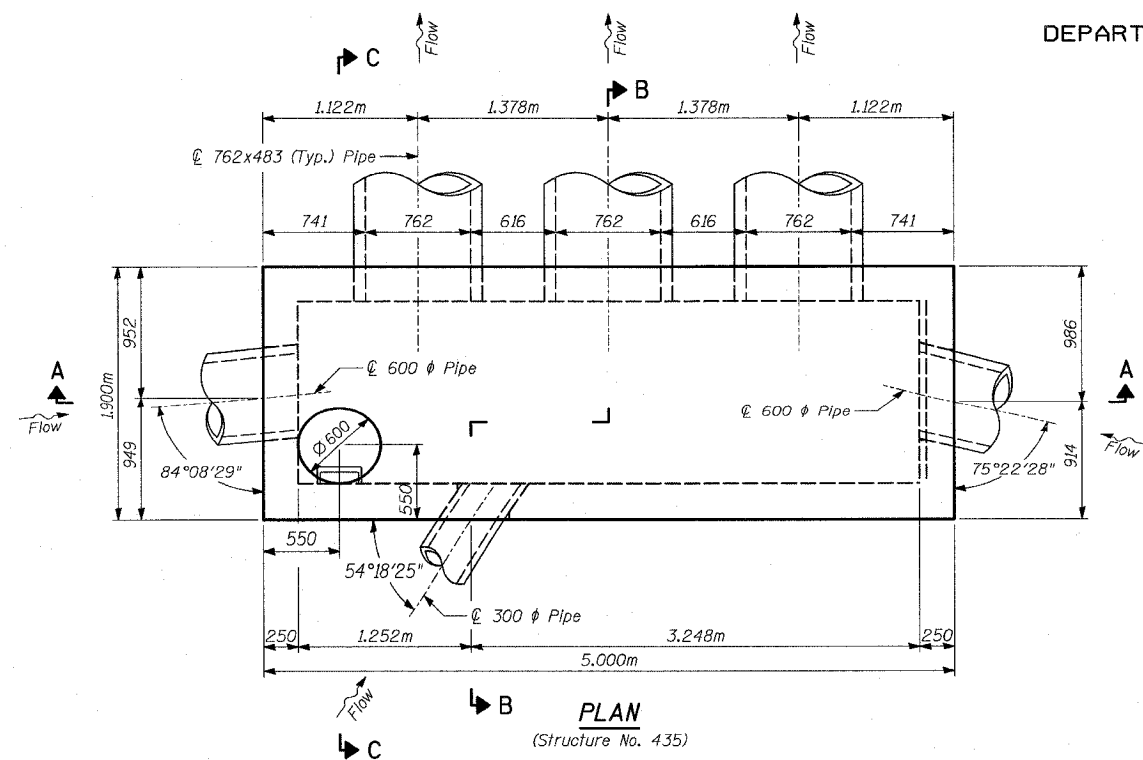


STATE OF ILLINOIS
DEPARTMENT OF TRANSPORTATION

FAP	SECTION	COUNTY	DATE	SHEET	SHEET NO. 1
337	20R-5	LAKE	562	225	3 SHEETS
FED. ROAD DIST. NO. 7		ILLINOIS	FED. AID PROJECT		
0-91-552-99		Contract No. 60881			



GENERAL NOTES:

- All pipe openings are based on Wall A, ASTM C76, coordinate openings with pipe supplier.
- All dimensions are in millimeters (mm) except as noted.
- Elevations are in meters.
- All hardware and cast Iron Steps are included with the cost of the structure.
- Cast Iron Steps shall be gray iron conforming to the requirements of Article 1006.14 of the Standard Specifications.
- See Standard 602701 for details of cast Iron Steps.
- Junction Chamber may be constructed of precast reinforced concrete sections. All joints shall be rubber gasketed.
- For additional information, see Specifications.
- For reinforcement details, see Sheets 2 & 3 of 3.
- For Station and Offset, see "Drainage Schedules".
- Concrete Compressive Strength $f'c = 24$ MPa.
- Reinforcement Yield Strength $f_y = 400$ MPa.
- All concrete edges shall be chamfered 20mm.
- All construction joints shall be bonded.

TOTAL BILL OF MATERIAL

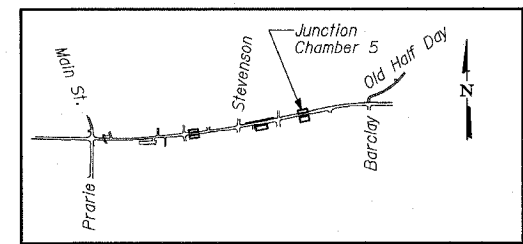
ITEM	UNIT	TOTAL
Junction Chamber, No. 5	EACH	1



Signed: *Heather J. Gaffney*
Heather J. Gaffney, S.E., Ill. Lic. No. 081-004961
Expires 11-30-2004
Date: 3/22/04
For drawings 1 thru 3 of 3

TYLIN INTERNATIONAL

DESIGNED	MI, DJR
CHECKED	TD
DRAWN	DJR
CHECKED	TD
DATE	03-22-2004



GENERAL PLAN & SECTION

JUNCTION CHAMBER 5
STA. 104+013.400
IL ROUTE 22
FAP 337 SECTION 20R-5
IL RTE 83 TO US 45/IL 21
LAKE COUNTY