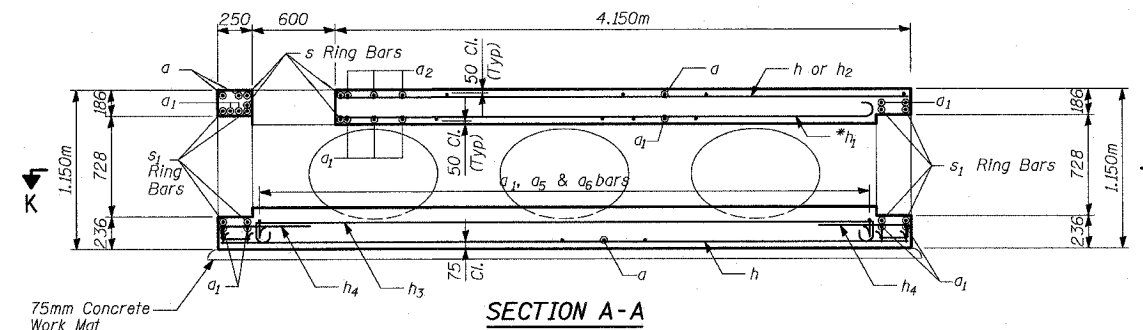
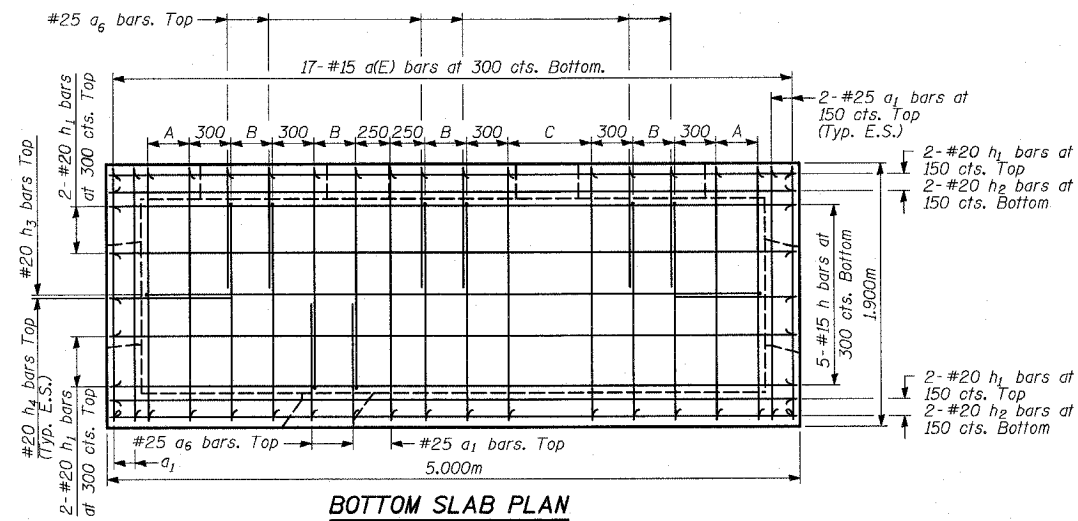
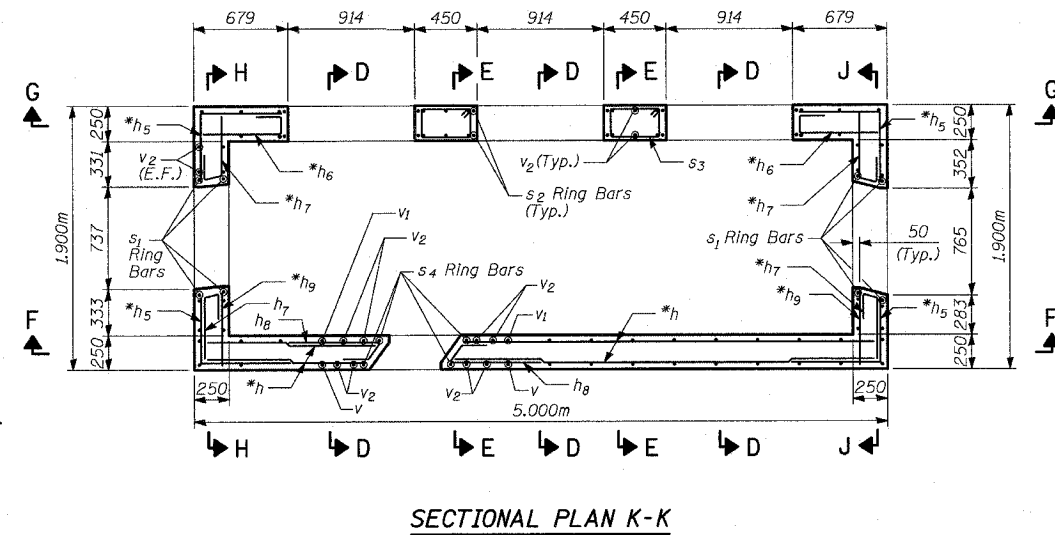
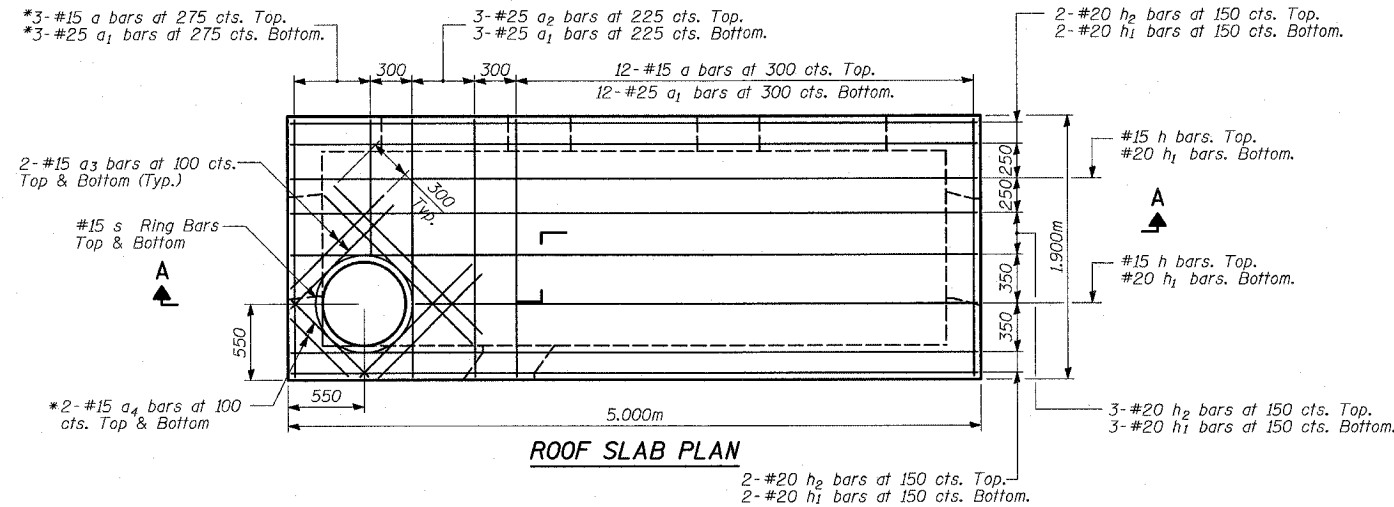


STATE OF ILLINOIS
DEPARTMENT OF TRANSPORTATION

FAP	SECTION	COUNTY	TOTAL SHEETS	SHEET NO.
337	20R-5	LAKE	562	226
FED. ROAD DIST. NO. 7		ILLINOIS		
D-91-552-99		Contract No. 60881		

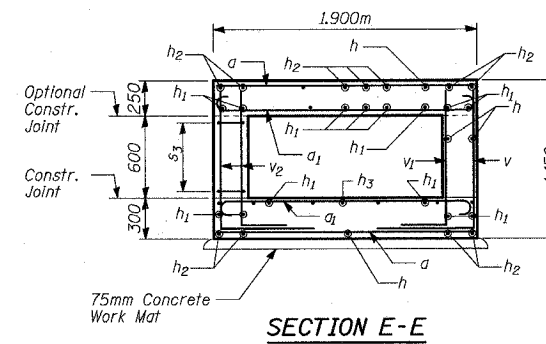
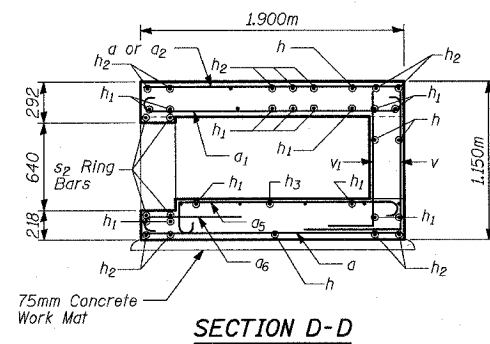
3 SHEETS



A	2-#25 a ₁ bars at 300 cts. Top.
B	2-#25 a ₅ & 2-#25 a ₆ bars at 300 cts. Top.
C	3-#25 a ₁ bars at 300 cts. Top.

TYLIN INTERNATIONAL

DESIGNED	MI, DJR
CHECKED	TD
DRAWN	DJR, BK
CHECKED	TD
DATE	03-22-2004



NOTES:

Reinforcement bar clearance to be 50mm unless otherwise noted.

E.F. - denotes Each Face
E.S. - denotes Each Side
I.F. - denotes Inside Face
O.F. - denotes Outside Face

* Cut bars to fit in field

DETAILS 1

JUNCTION CHAMBER 5
STA. 104+013.400
IL ROUTE 22
FAP 337 SECTION 20R-5
IL RTE 83 TO US 45/IL 21
LAKE COUNTY