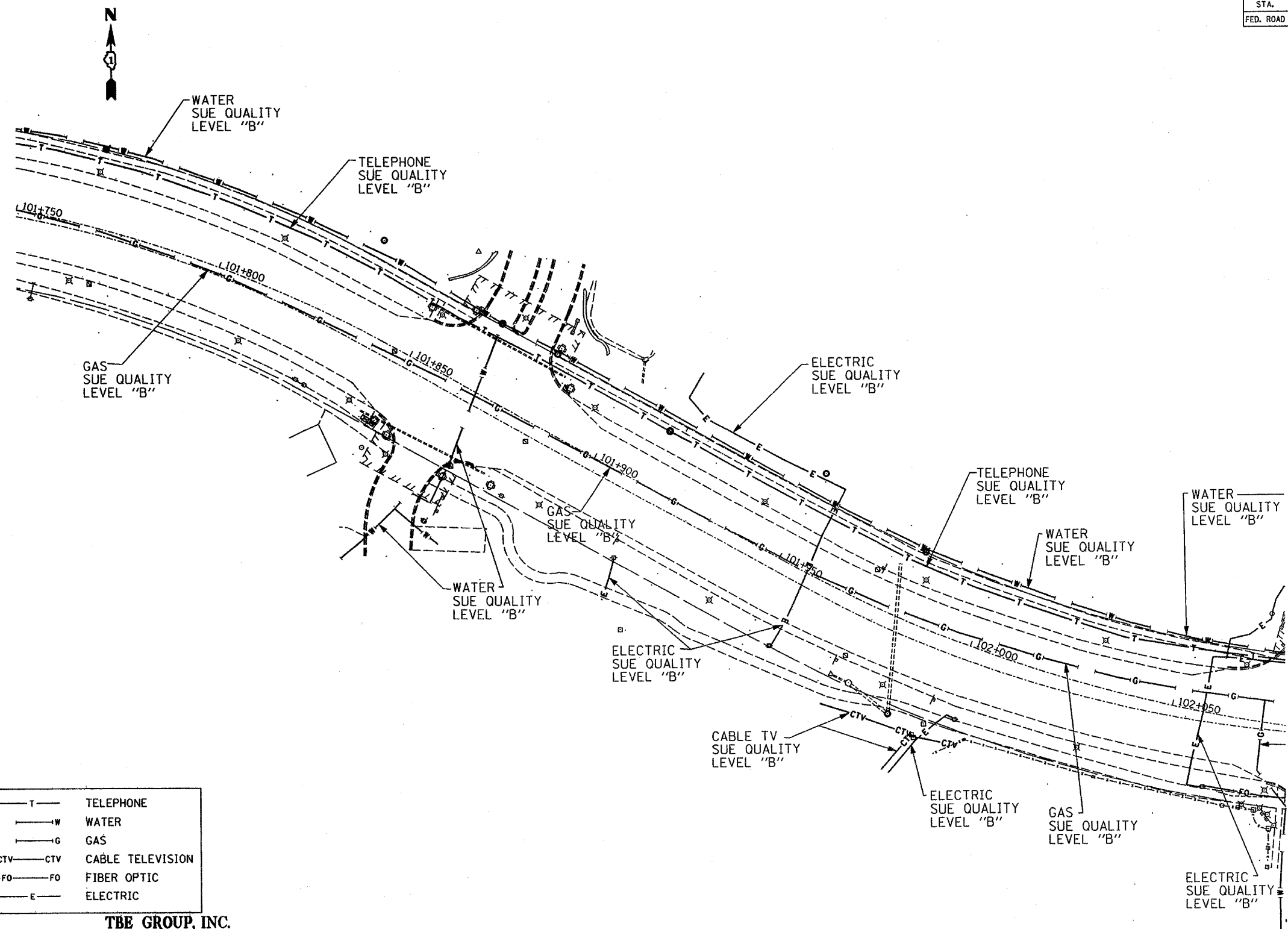


F.A.P. RTE.	SECTION	COUNTY	TOTAL SHEETS	SHEET NO.
	20-R-5	LAKE	502	253
STA.	TO STA.			
FED. ROAD DIST. NO.	ILLINOIS FED. AID PROJECT			

60881



— T — T —	TELEPHONE
— W — W —	WATER
— G — G —	GAS
— CTV — CTV — CTV	CABLE TELEVISION
— FO — FO — FO	FIBER OPTIC
— E — E —	ELECTRIC

TBE GROUP, INC.
 CIVIL ENGINEERING • TRANSPORTATION • ENVIRONMENTAL
 • PLANNING • UTILITY ENGINEERING/LOCATING
 SOUTHERN REGION: FL, GA, SC, NC
 NORTHERN REGION: IL, IN, MI, OH, MD, NJ, NY
 PA, VA, CANADA
 WESTERN REGION: AZ, NV, NM, TX, CA, OR, UT, WA

TBE SUE PAGE 7 of 14
 Signature: *[Handwritten Signature]*
 IL09500133-IL09500134
 SUE Quality Level "A" : Test Holes
 SUE Quality Level "B" : Designating



205 W. WACKER DRIVE
 SUITE 1020
 CHICAGO, IL 60606
 (312) 704-1970

Utility shown on these plans as depicted in the legend have been investigated by TBE Group, Inc in accordance with SUE Industry Standards as of 8/8/01.
 All other information shown has been provided to TBE Group, Inc by others.

REVISIONS	
NAME	DATE

ILLINOIS DEPARTMENT OF TRANSPORTATION
 RT 337 / IL RT 22 EAST OF IL RT 83
 TO WEST OF US RT 45 / IL RT 21
 SCALE : 1:500
 DATE - SOL "B" 8/16/02
 DRAWN BY - JAC
 CHECKED BY - RLC