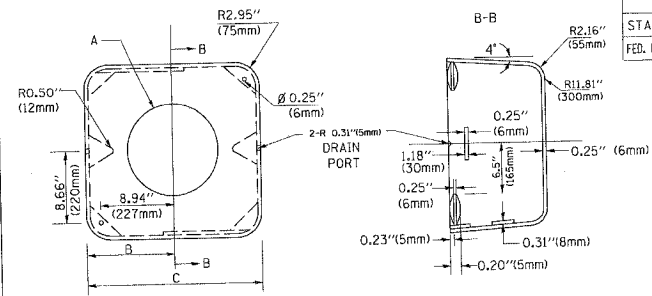
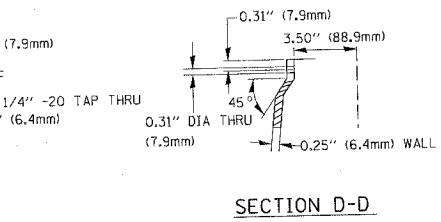
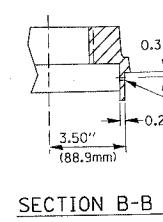
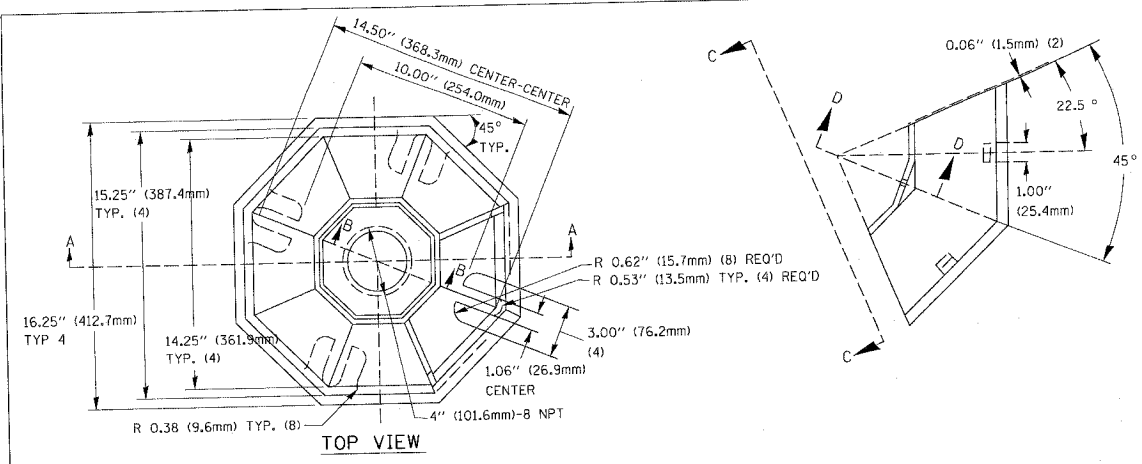


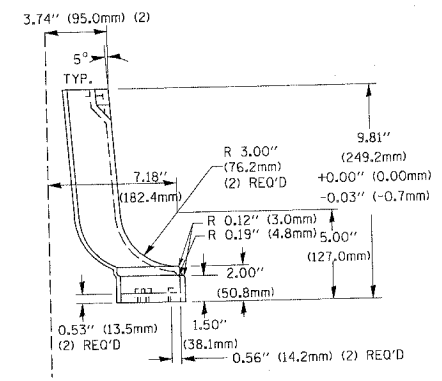
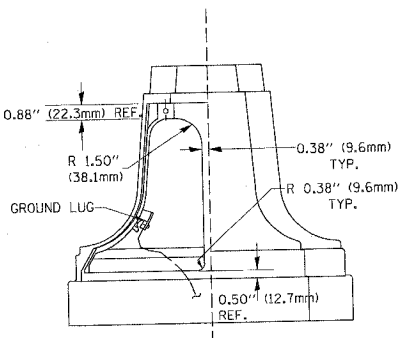
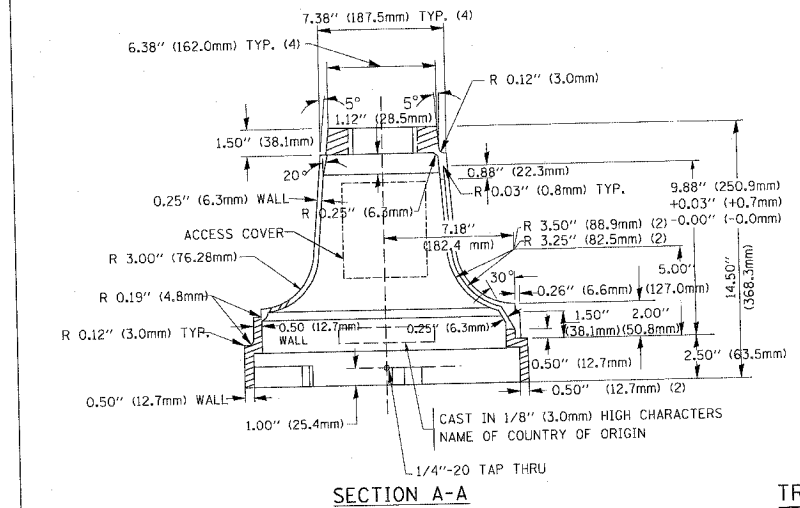
F.A. RTE.	SECTION	COUNTY	TOTAL SHEETS	SHEET NO.
			562	330
STA.		TO STA.		
FED. ROAD DIST. NO.		ILLINOIS FED. AID PROJECT		
60881				



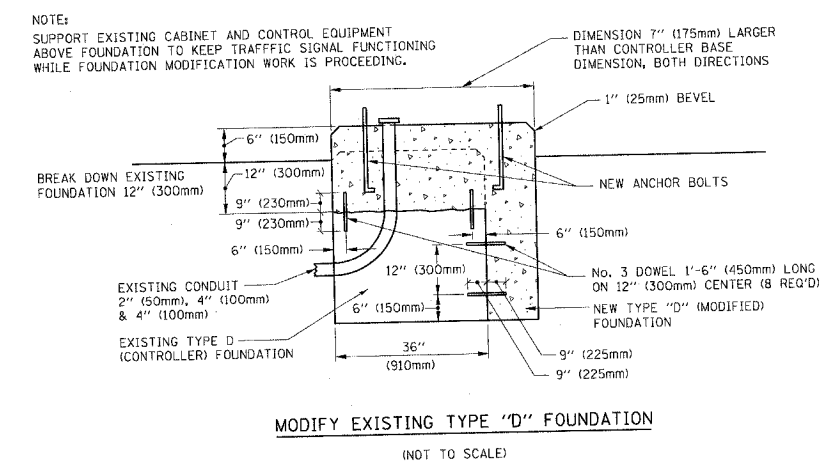
TYPE	A	B	C	HEIGHT	WEIGHT
I	Ø 10.125\"(257mm)	9.5\"(241mm)	19\"(483mm)	12\"(300mm)	24kg
II	Ø 11.125\"(283mm)	10.75\"(273mm)	21.5\"(546mm)	12\"(300mm)	26kg

SHROUD DETAIL

MATERIAL:
 - ASTM A48 CLASS 30 GREY IRON
 - ASTM A123 HOT DIPPED GALVANIZED

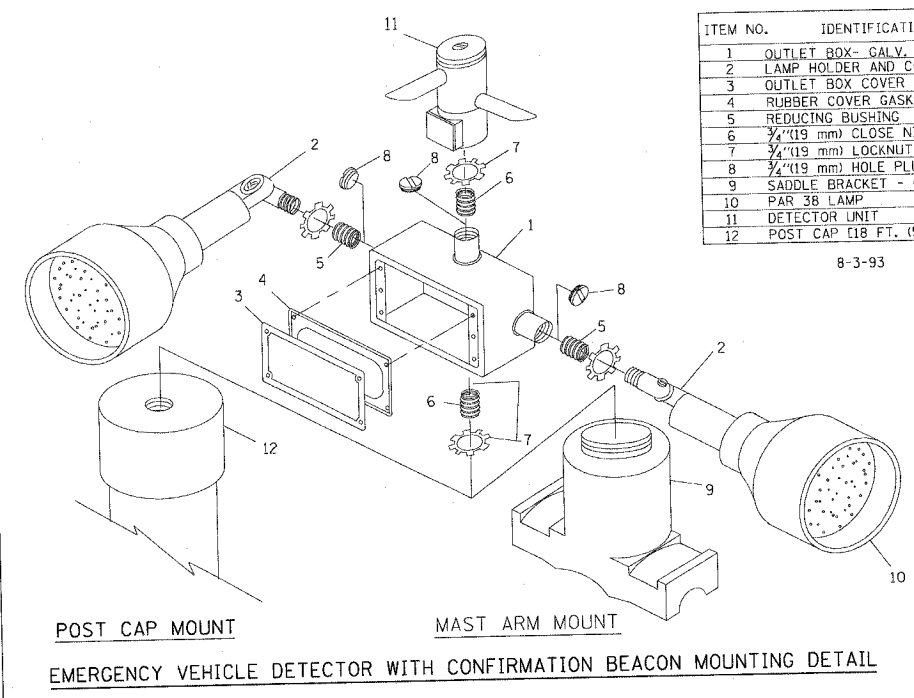


TRAFFIC SIGNAL POST - MOUNTING BASE - TYPE A



NOTES:
 SUPPORT EXISTING CABINET AND CONTROL EQUIPMENT ABOVE FOUNDATION TO KEEP TRAFFIC SIGNAL FUNCTIONING WHILE FOUNDATION MODIFICATION WORK IS PROCEEDING.

MODIFY EXISTING TYPE "D" FOUNDATION (NOT TO SCALE)

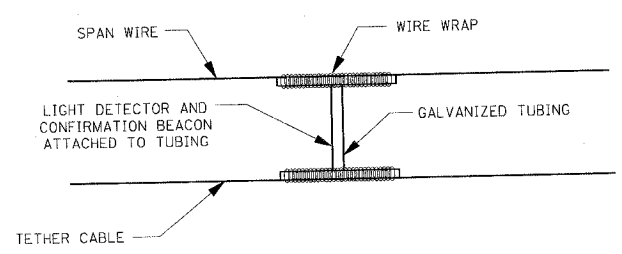


ITEM NO.	IDENTIFICATION
1	OUTLET BOX - GALV. 21 CUJIN. (0.000344 CU-M)
2	LAMP HOLDER AND COVER
3	OUTLET BOX COVER
4	RUBBER COVER GASKET
5	REDUCING BUSHING
6	1/4\"(19 mm) CLOSE NIPPLE
7	1/4\"(19 mm) LOCKNUT
8	1/4\"(19 mm) HOLE PLUG
9	SADDLE BRACKET - GALV.
10	PAR 38 LAMP
11	DETECTOR UNIT
12	POST CAP (18 FT. (5.4 m) POST MIN.)

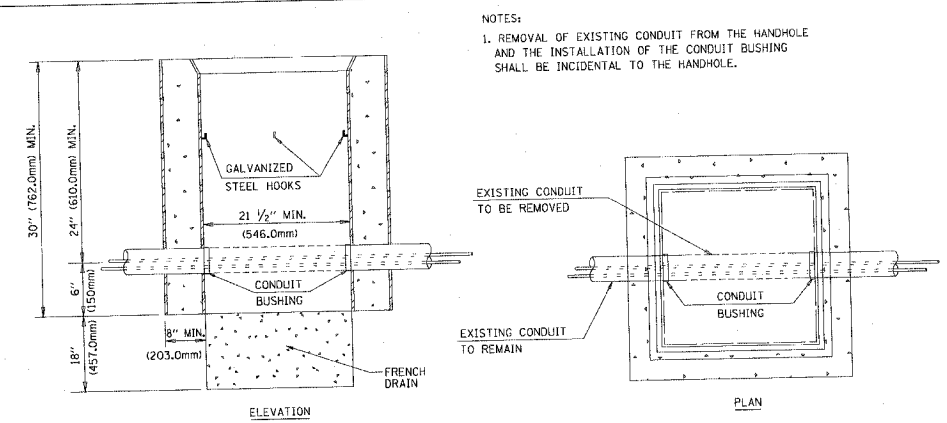
8-3-93

NOTES:

- ALL ELECTRICAL ITEMS, EXCEPT ITEMS #2 AND #11 SHALL BE ALUMINUM OR GALVANIZED
- ITEM #1- OZ/GEDNEY FSX-1-50 OR EQUIVALENT
 ITEM #2- MULBERRY CON-O-SHADE LAMP SHIELD OR EQUIVALENT
 ITEM #9- "BAND-IT" SADDLE BRACKET OR EQUIVALENT
- WHEN POST MOUNTING IS SPECIFIED, ITEM #9 SHALL NOT BE REQUIRED. THE DETECTION UNIT SHALL BE MOUNTED DIRECTLY ON TOP OF THE CAP BY DRILLING AND TAPPING A 3/4\"(19 mm) HOLE WITH PIPE THREADS. THE POST CAP SHALL EITHER BE SCREWED TO THE TOP OF THE POST OR A MINIMUM OF 3 TIGHTENING SCREWS SHALL BE REQUIRED ON EACH CAP.



LIGHT DETECTOR AND CONFIRMATION BEACON MOUNTING FOR TEMPORARY TRAFFIC SIGNALS (NOT TO SCALE)



DETAIL HANDHOLE TO INTERCEPT EXISTING CONDUIT N.T.S.

REVISIONS	NAME	DATE
BUREAU OF TRAFFIC		5/30/00
BUREAU OF TRAFFIC		3/15/01
BUREAU OF TRAFFIC		11/12/01
BUREAU OF TRAFFIC		1-01-02

ILLINOIS DEPARTMENT OF TRANSPORTATION
 DISTRICT 1
 STANDARD TRAFFIC SIGNAL DESIGN DETAILS

SCALE: VERT. NONE
 HORIZ. DATE 10/18/2002
 DRAWN BY: RWP
 DESIGNED BY: DAD
 CHECKED BY: DAZ
 SHEET 4 OF 4