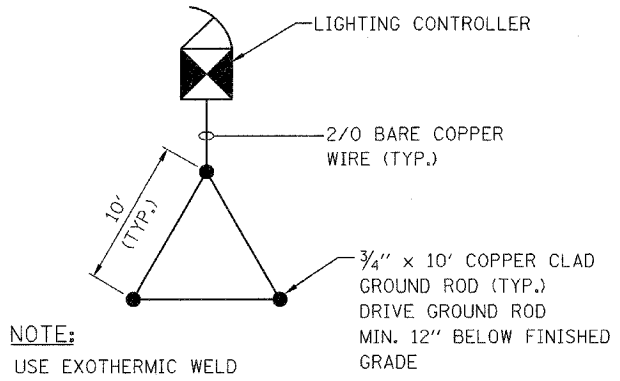


F.A.P. RTE.	SECTION	COUNTY	TOTAL SHEETS	SHEET NO.
337		LAKE	562	4/1
STA.	TO STA.			
FED. ROAD DIST. NO.	ILLINOIS	FED. AID PROJECT		
D-91-552-99		CONTRACT #60881		

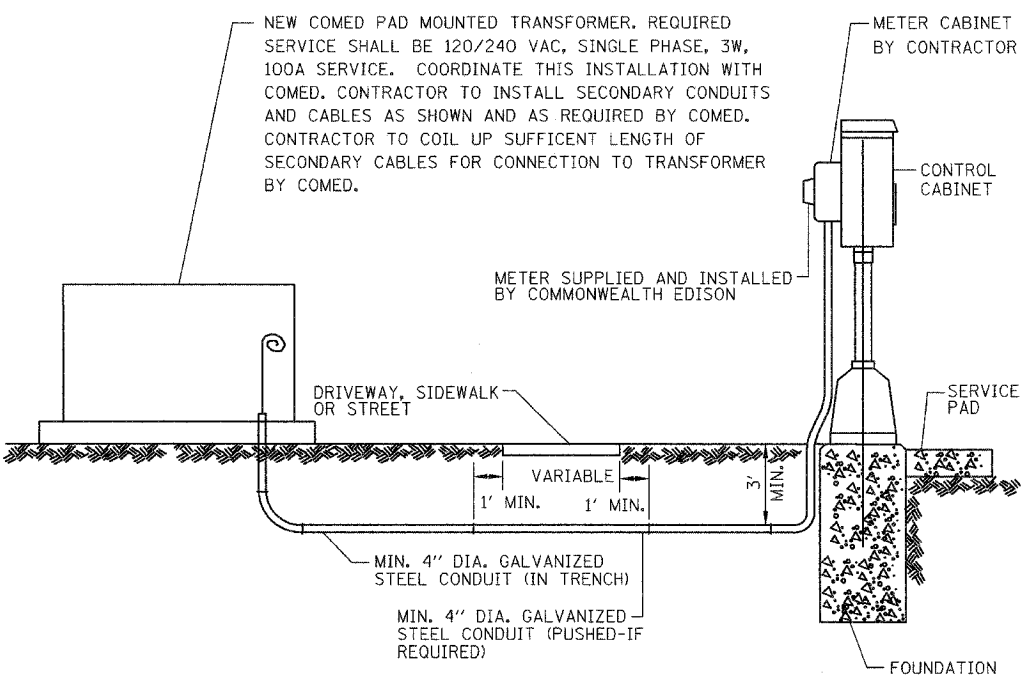
DATE	BY
FINAL SURVEY PLOTTED	
NOTE BOOK TEMPLATE AREAS CHECKED	
NO.	

DATE	BY
ORIGINAL SURVEY PLOTTED	
NOTE BOOK TEMPLATE AREAS CHECKED	
NO.	



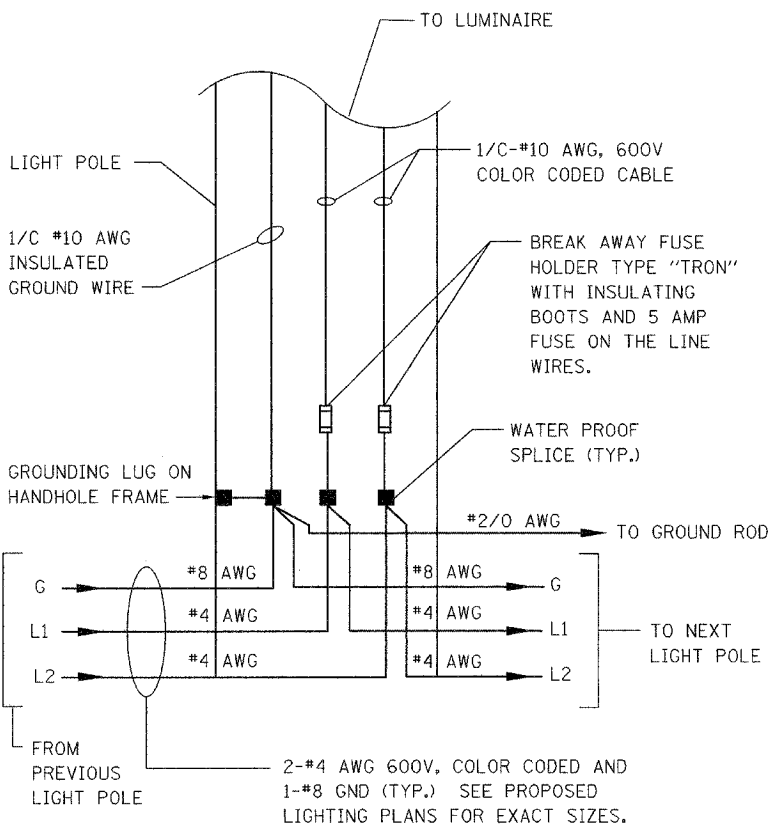
NOTE:
USE EXOTHERMIC WELD FOR ALL GROUND CONNECTIONS

GROUND FIELD DETAIL



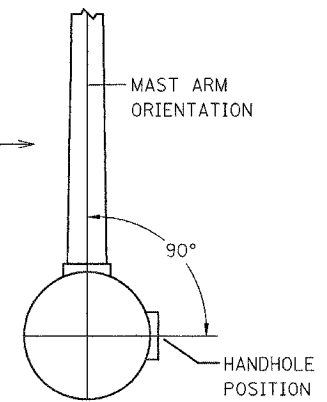
ELECTRICAL SERVICE INSTALLATION DETAIL

- NOTES:**
- SERVICE CABLE AND CONDUIT SIZES SHALL BE AS REQUIRED BY COMED. WITH THE MINIMUM CONDUIT SIZE OF 4" AND A MINIMUM SERVICE CABLE SIZE OF NO. 2 COPPER CONDUCTORS.
 - SERVICE INSTALLATION SHALL BE COORDINATED WITH COMED PRIOR TO THE START OF CONSTRUCTION. ANY AND ALL OF COMED'S REQUIREMENTS SHALL BE MET.
 - THE DISTANCE BETWEEN PAD MOUNTED TRANSFORMER AND LIGHTING CONTROLLER SHALL BE BETWEEN 5' (MIN.) AND 25' (MAX.)

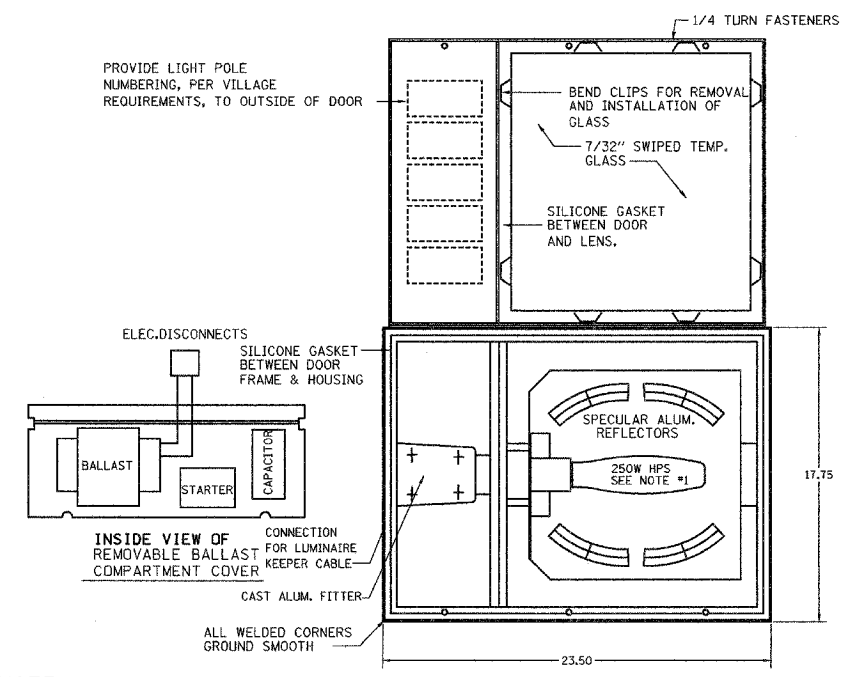


LIGHT POLE HANDHOLE WIRING DETAIL

- NOTE:**
- EXACT CONTROL CABINET AND POLE DESIGNATIONS SHALL BE AS DIRECTED BY THE OWNER.



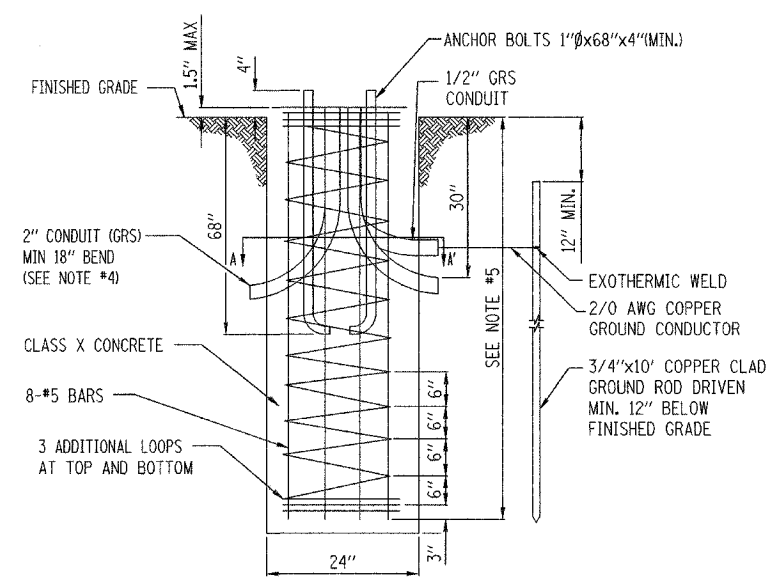
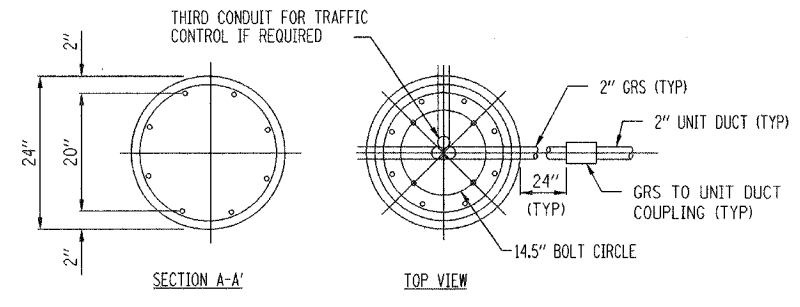
POSITION OF LIGHTPOLE HANDHOLE



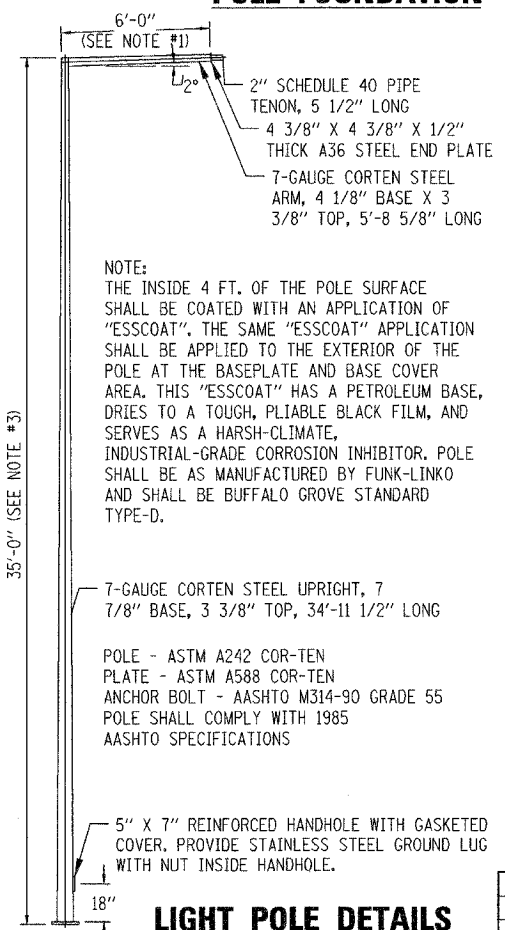
- NOTE:**
- WATTAGE OF THE LUMINAIRES SHALL BE 400W AT THE FOLLOWING INTERSECTIONS: BUFFALO GROVE AND ROUTE 22 MAIN STREET AND ROUTE 22 STEVENSON DRIVE AND ROUTE 22
 - THE LUMINAIRE BALLAST OPERATES ON 240V.

LUMINAIRE DETAIL - STYLE 4

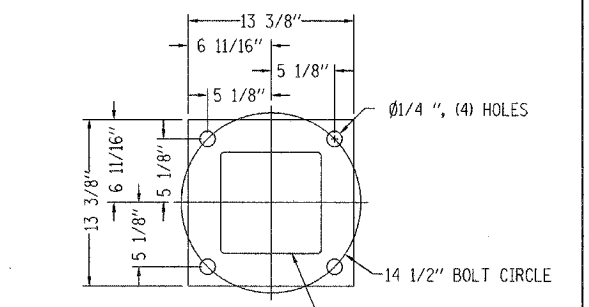
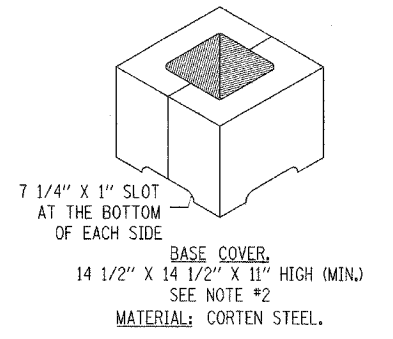
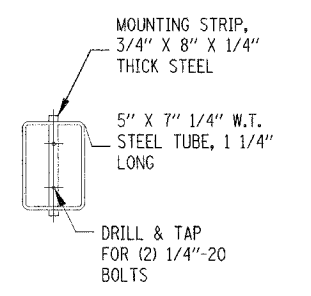
QUALITY LIGHTING NO. SD-1-1327-FX2
(WITH TILT OPTION)



POLE FOUNDATION



LIGHT POLE DETAILS (TYPE-D)



BASEPLATE DETAIL
MATERIAL: 1 1/4" THICK ASTM A588 COR-TEN STEEL PLATE.

- NOTES:**
- SINGLE ARM MAST SHOWN IN DETAIL. FOR TWIN CONFIGURATION, PROVIDE MAST ARMS AT 90° SPACING.
 - PROVIDE BREAKAWAY COUPLINGS AND FULL HEIGHT BASE COVER.
 - POLE HEIGHT AT THE INTERSECTION OF BUFFALO GROVE ROAD AND ROUTE 22 SHALL BE 40'-0".
 - PROVIDE UNIT DUCT TO GRS COUPLING AT EACH TRANSITION. COUPLING SHALL BE INCIDENTAL TO PROPOSED FOUNDATIONS.
 - SEE "LIGHT POLE SCHEDULES", TABLE 2, FOR FOUNDATION DEPTH.

REVISIONS		ILLINOIS DEPARTMENT OF TRANSPORTATION IL RTE 22 (FAP 337) IL RTE 83 TO US 45 / IL 21 (MILWAUKEE AVE)
NAME	DATE	
		ELECTRICAL DETAILS (2 OF 3)

SCALE: DATE: 03-22-2004 DRAWN BY: CMW CHECKED BY: MAR