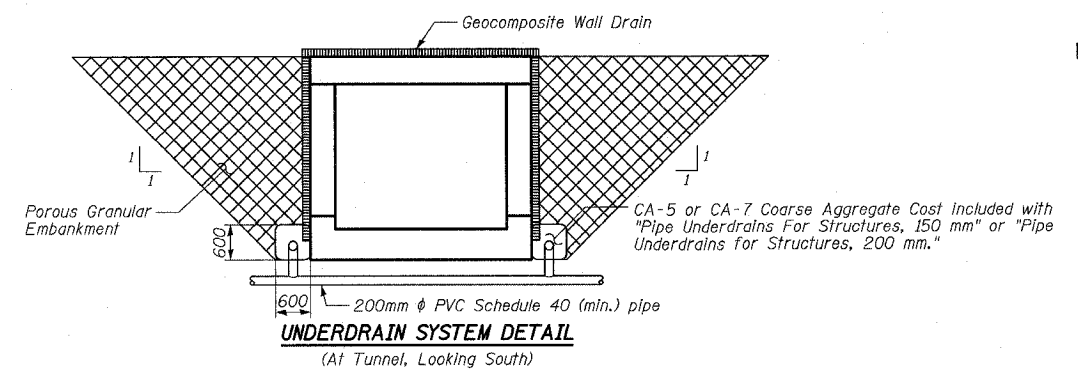


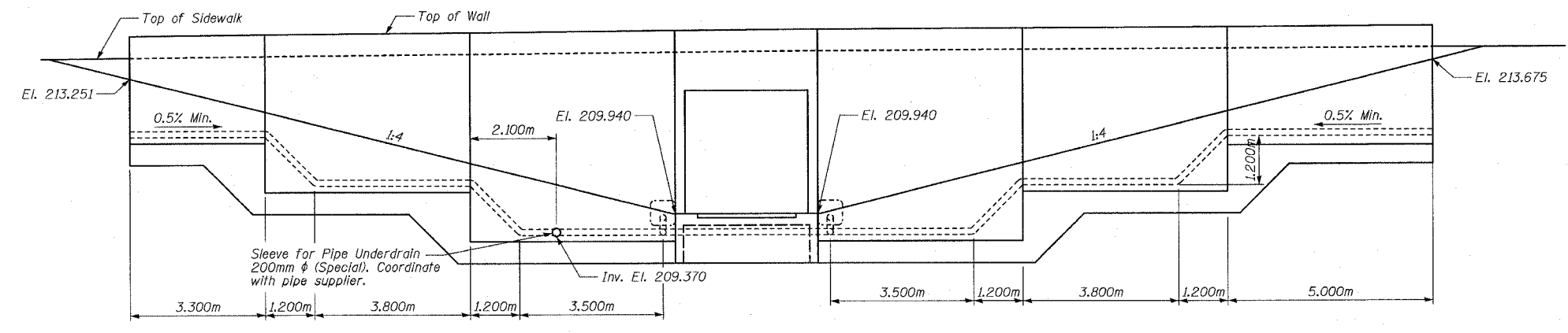
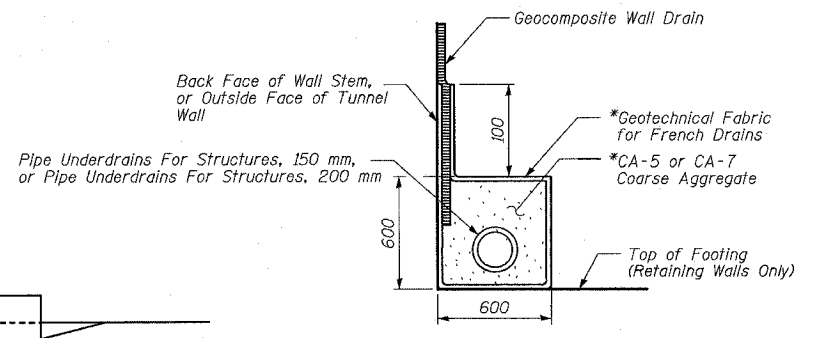
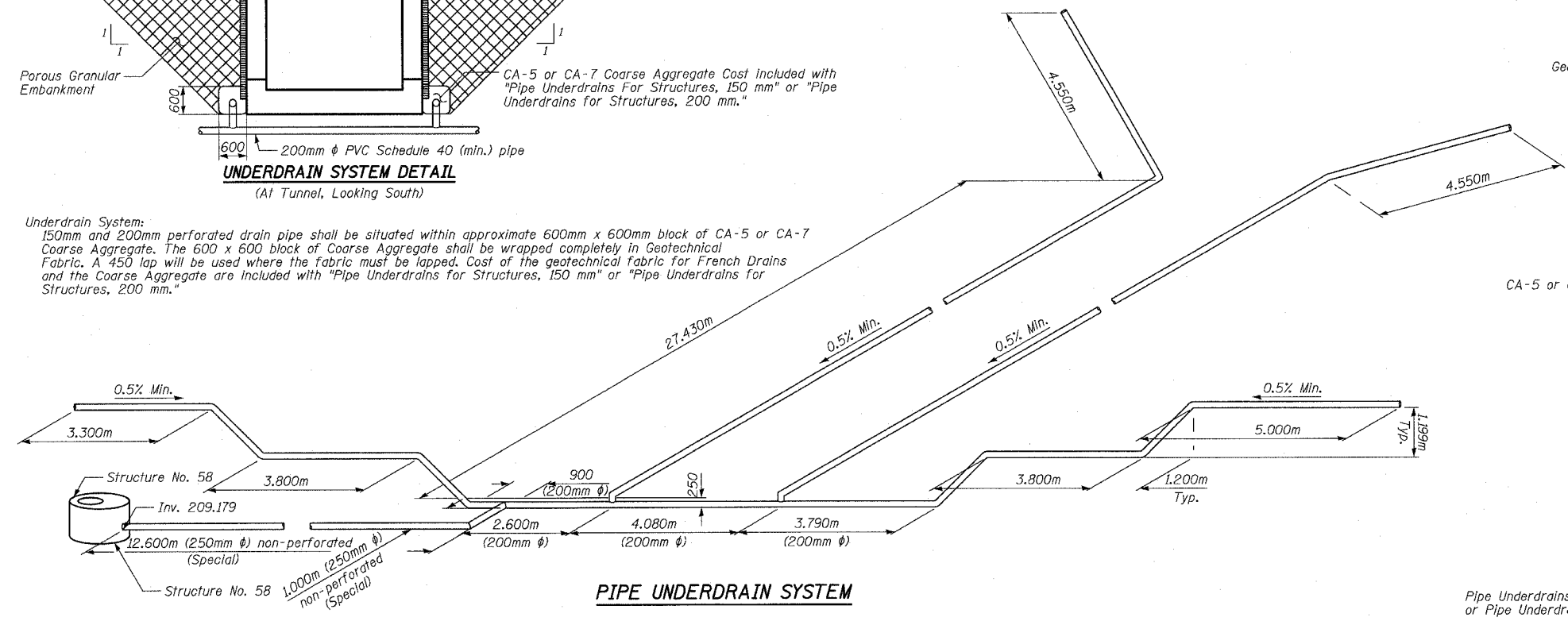
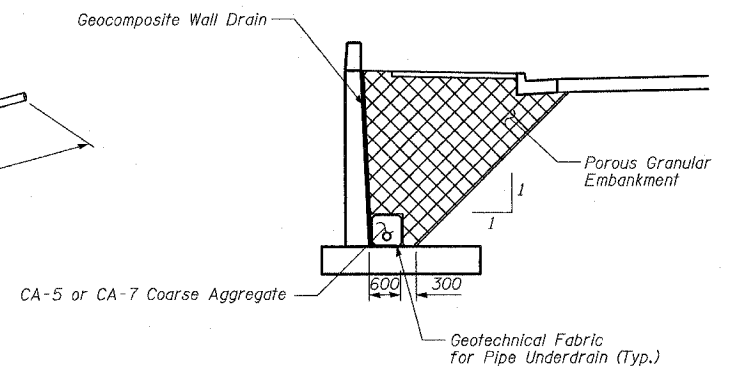
STATE OF ILLINOIS  
DEPARTMENT OF TRANSPORTATION

FAP	SECTION	COUNTY	DATE	SHEET
337	20R-5	LAKE	562	418
FED. ROAD DIST. NO. 7		ILLINOIS	FED. AID PROJECT	
D-91-552-99		Contract No. 60881		

SHEET NO. 3  
13 SHEETS



**Underdrain System:**  
150mm and 200mm perforated drain pipe shall be situated within approximate 600mm x 600mm block of CA-5 or CA-7 Coarse Aggregate. The 600 x 600 block of Coarse Aggregate shall be wrapped completely in Geotechnical Fabric. A 450 lap will be used where the fabric must be lapped. Cost of the geotechnical fabric for French Drains and the Coarse Aggregate are included with "Pipe Underdrains For Structures, 150 mm" or "Pipe Underdrains For Structures, 200 mm."



**BILL OF MATERIAL**

Item	Unit	TOTAL
Pipe Underdrains For Structures, 150 mm	METER	118
Pipe Underdrains For Structures, 200 mm	METER	12
Pipe Underdrains 250mm (Special)	METER	14
Porous Granular Embankment	CU M	639
Geocomposite Wall Drain	50 M	423

**TYLIN INTERNATIONAL**

DESIGNED	MAF, DJR
CHECKED	MI
DRAWN	MAF, DJR
CHECKED	MI
DATE	03-22-2004

**NOTES:**  
All pipes to have 150mm  $\phi$  unless otherwise noted.

**PIPE UNDERDRAIN SYSTEM**

IL ROUTE 22 OVER PEDESTRIAN TUNNEL  
FAP 337 SECTION 20R-5  
LAKE COUNTY  
STA. 100+775.000  
S.N. 049-T016