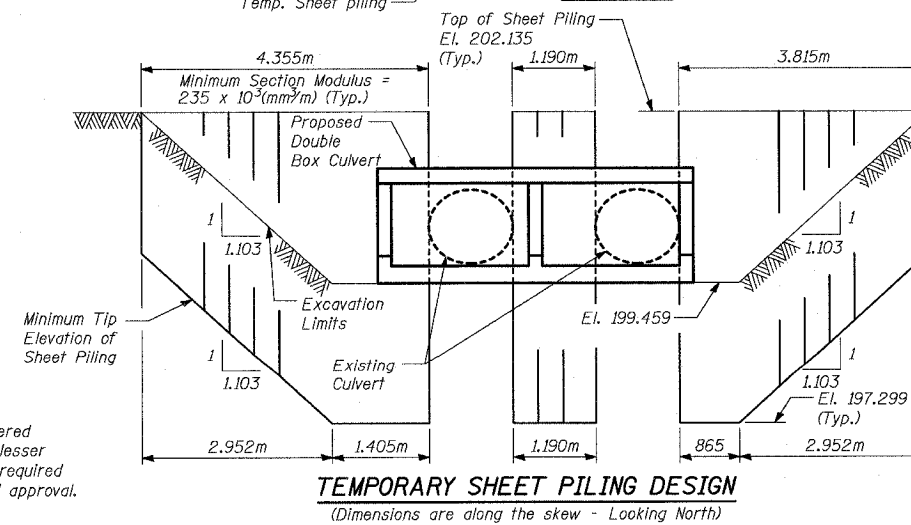
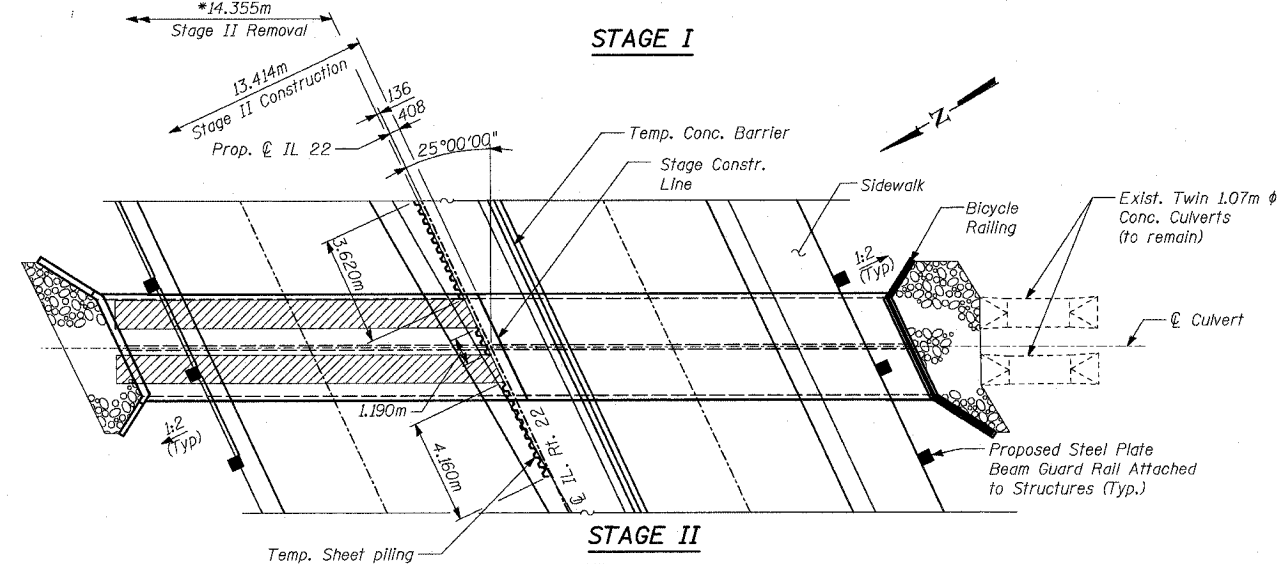
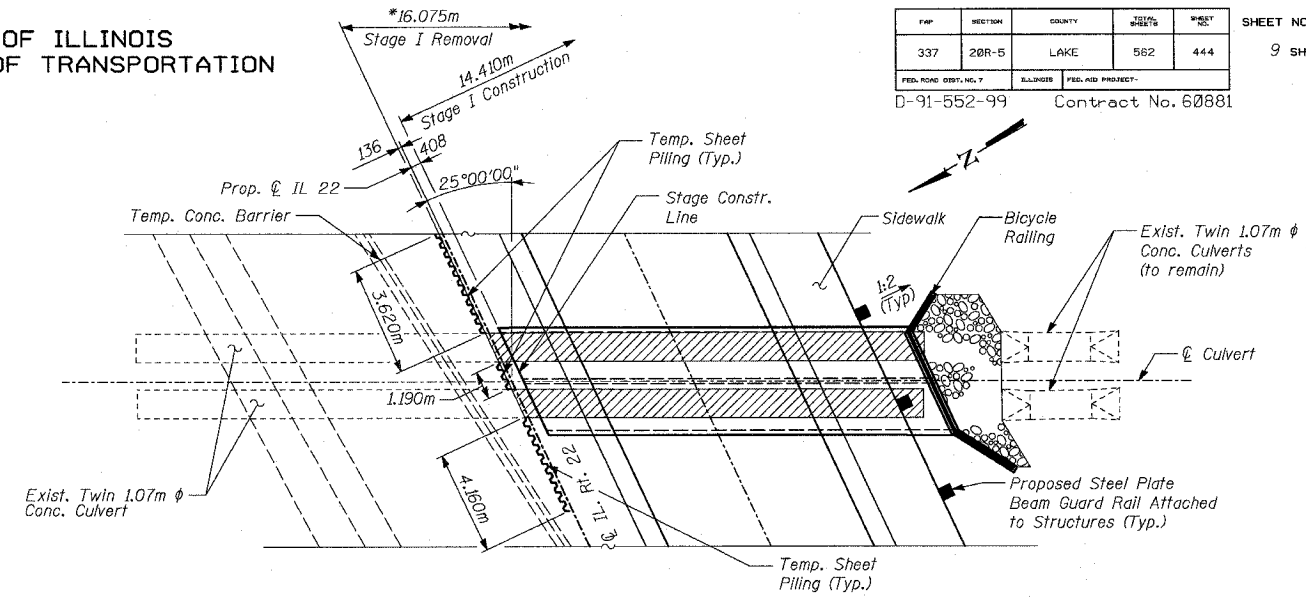
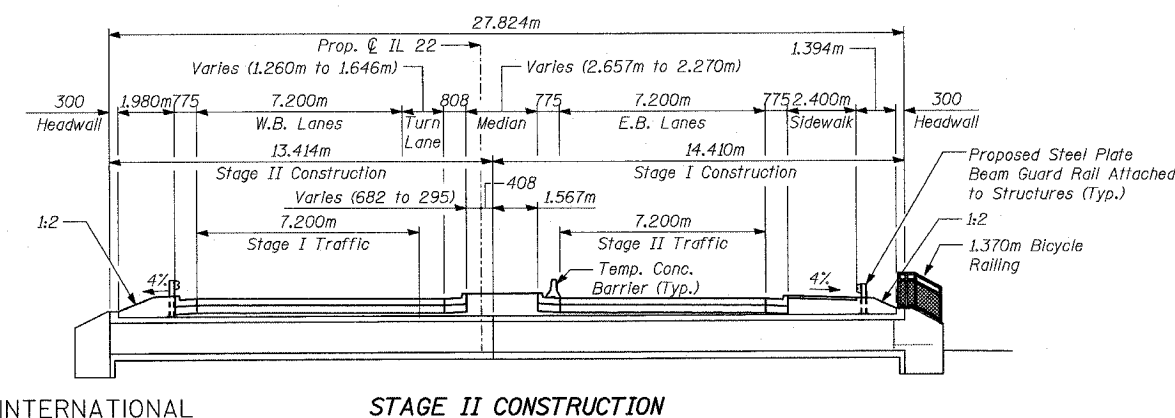
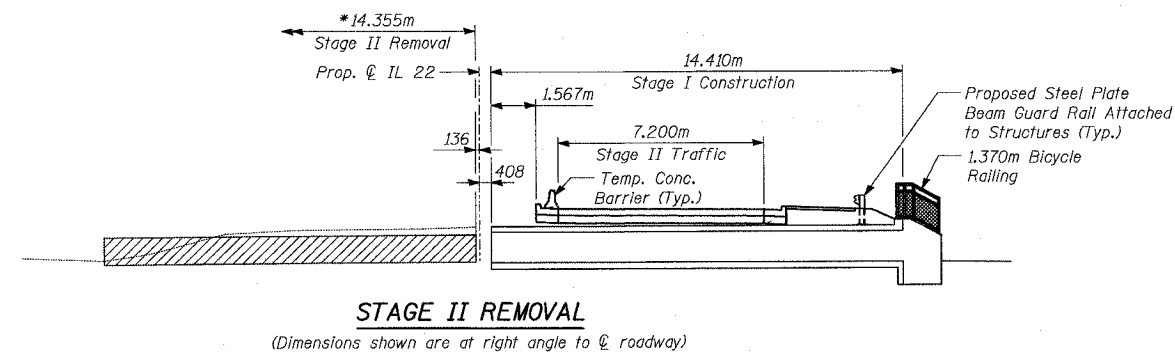
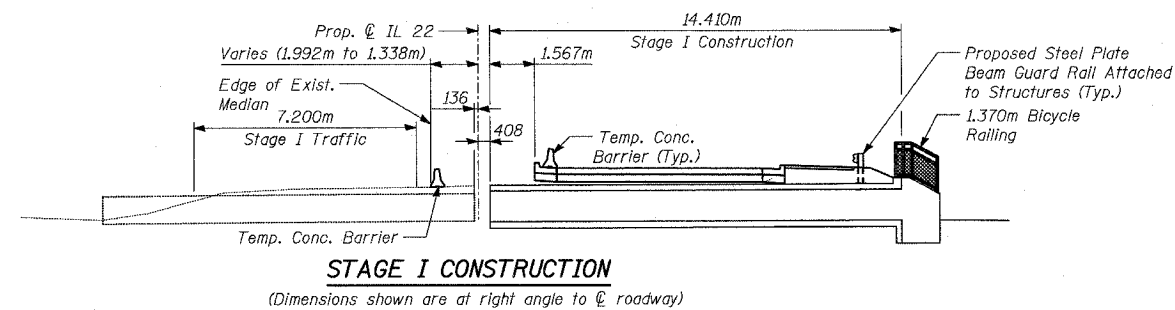
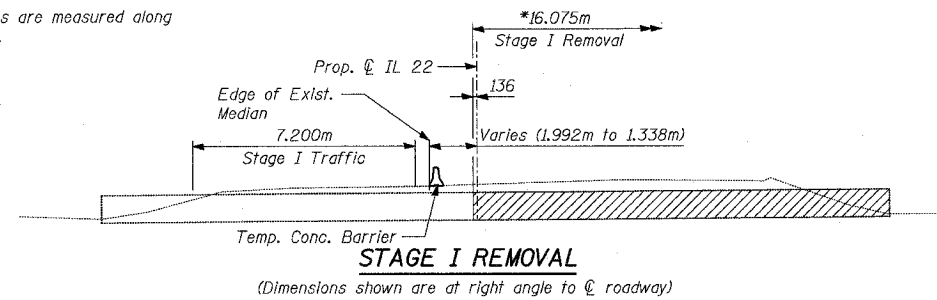


STATE OF ILLINOIS
DEPARTMENT OF TRANSPORTATION

FWP	SECTION	COUNTY	SHEETS	*SHEET	SHEET NO. 2
337	20R-5	LAKE	562	444	9 SHEETS
FED. ROAD DIST. NO. 7		ILLINOIS	FED. AID PROJECT:		Contract No. 60881
D-91-552-99					

* Dimensions are measured along
℄ Culvert.



BILL OF MATERIAL

Item	Unit	TOTAL
Removal of Existing Structure No. 1	EACH	1
Temporary Sheet Piling	SQ M	38

STAGE CONSTRUCTION

IL ROUTE 22 OVER
INDIAN CREEK TRIBUTARY
FAP 337 SECTION 20R-5
LAKE COUNTY
STA. 104+504.000
S.N. 049-C002

TYLIN INTERNATIONAL

DESIGNED	MI, MAF
CHECKED	TD
DRAWN	MAF
CHECKED	TD, MI
DATE	03-22-2004

NOTES:

- Hatched area indicates Removal of Existing Structures No. 1.
- For details of temporary concrete barrier, see Standard 704001.
- For quantity of temporary concrete barrier, see roadway plans.
- If the contractor chooses to alter the temporary cantilevered sheet piling design requirements shown on the plans for lesser design requirements, then full design submittals with the required seals will be expected by the Department, for review and approval.