

F. A. NO.	SECTION	COUNTY	TOTAL SHEETS	SHEET NO.
			562	471
STA.	TO STA.			
FED. ROAD DIST. NO.	ILLINOIS	FED. AID PROJECT		

60881

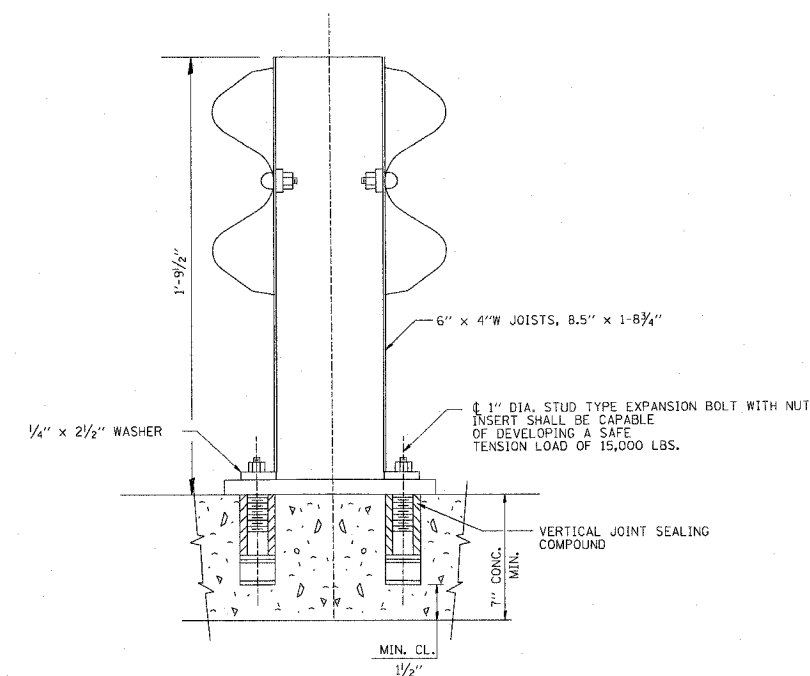
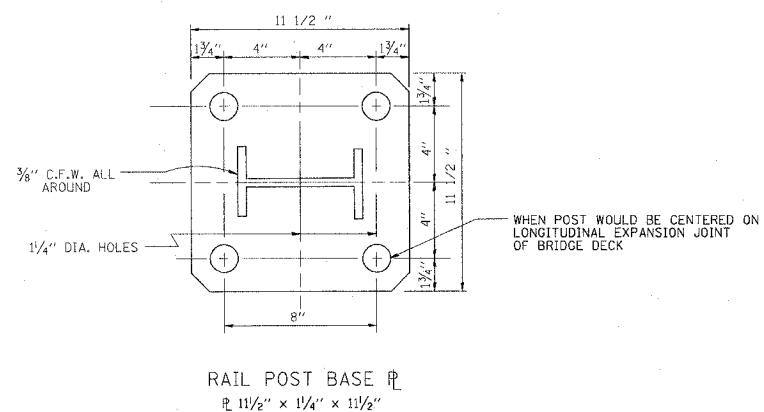
NOTE:  
FOR DETAILS OF RAIL ELEMENTS, RAIL SPLICING, NUT, BOLT AND SIDE VIEW OF RAIL, SEE STANDARD 2230-2.

ALL WELDS SHALL BE GROUND SMOOTH

POSTS SHALL BE CUT AND WELDED TO THE BASE PLATE SO THAT THE POST WILL BE PLUMB WHEN ERECTED.

TWO PERCENT (2%) OF ALL ANCHOR BOLTS SHALL BE TEST LOADED IN PLACE. MINIMUM TEST LOAD=8 KIPS. IF ONE ANCHOR BOLT FAILS DURING THE TEST, TWO OTHER ANCHOR BOLTS SHALL BE TESTED. TESTING EQUIPMENT SHALL BE BOLT COMPANIES.

PROVIDE 1/8" AND 2/16" GALVANIZED SHIMS FOR 25% OF THE POSTS.



REVISIONS	
NAME	DATE
CREATED	10-31-88
RAY RITCHIE	05-02-00

ILLINOIS DEPARTMENT OF TRANSPORTATION

ANCHOR DETAIL FOR  
STEEL PLATE BEAM GUARD RAIL  
ON CONCRETE

SCALE: NONE  
DATE: \*\*DATE\*\*

DRAWN BY R.F.L.  
CHECKED BY