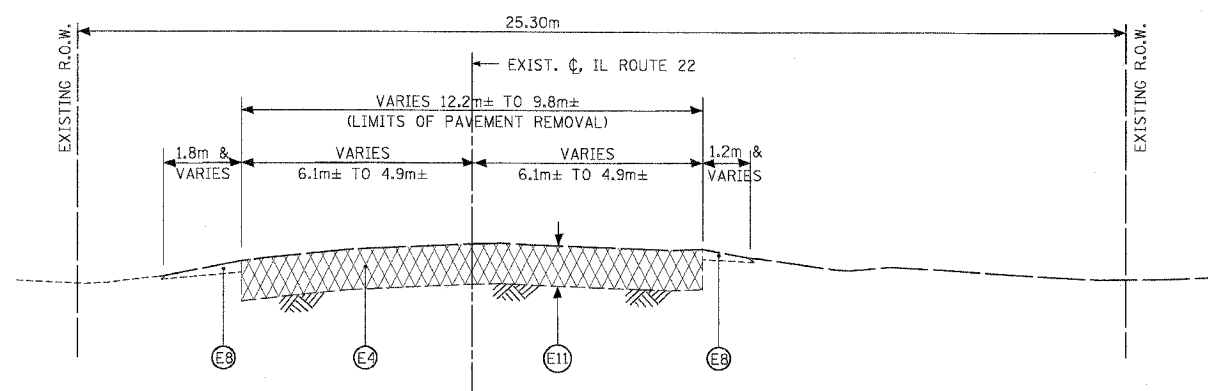
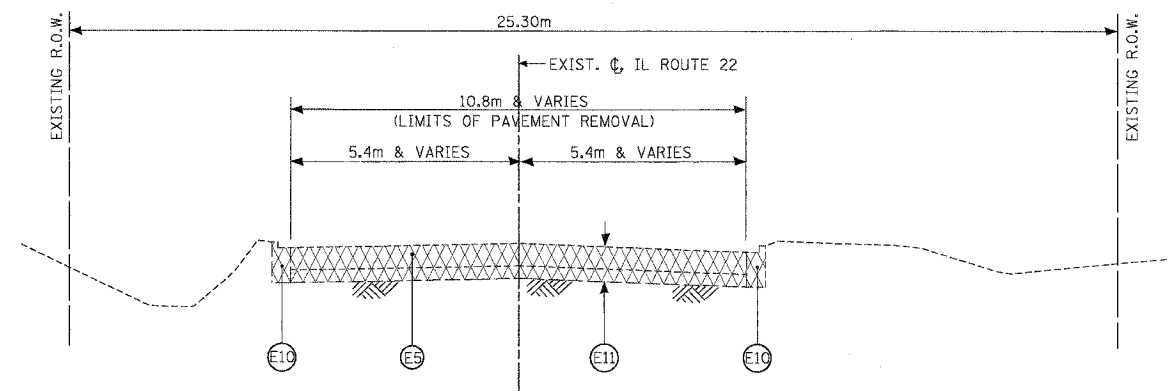


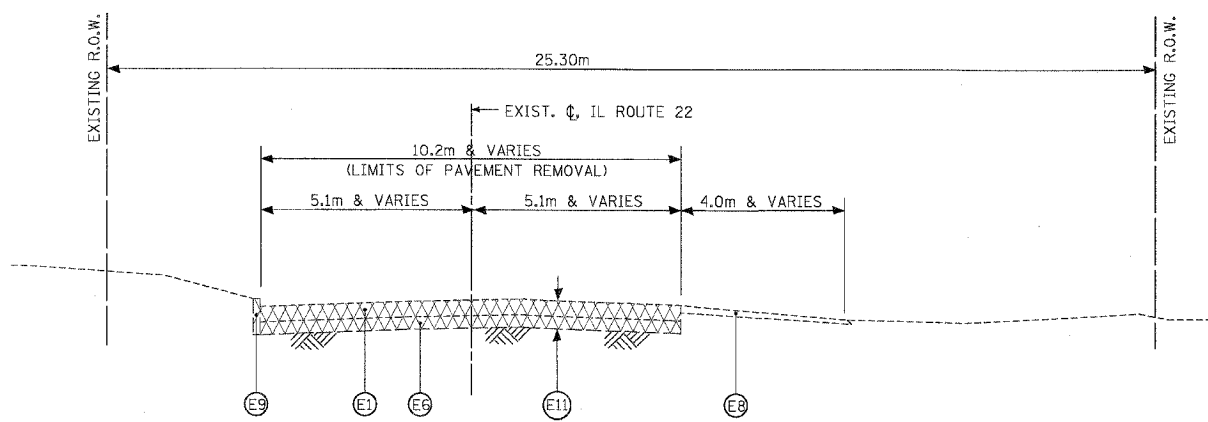
F.A.P. RTE.	SECTION	COUNTY	TOTAL SHEETS	SHEET NO.
337	20 WRS-6	LAKE	3/8	14
STA.	TO STA.			
FED. ROAD DIST. NO.	ILLINOIS FED. AID PROJECT			
CONTRACT NO. 62030				



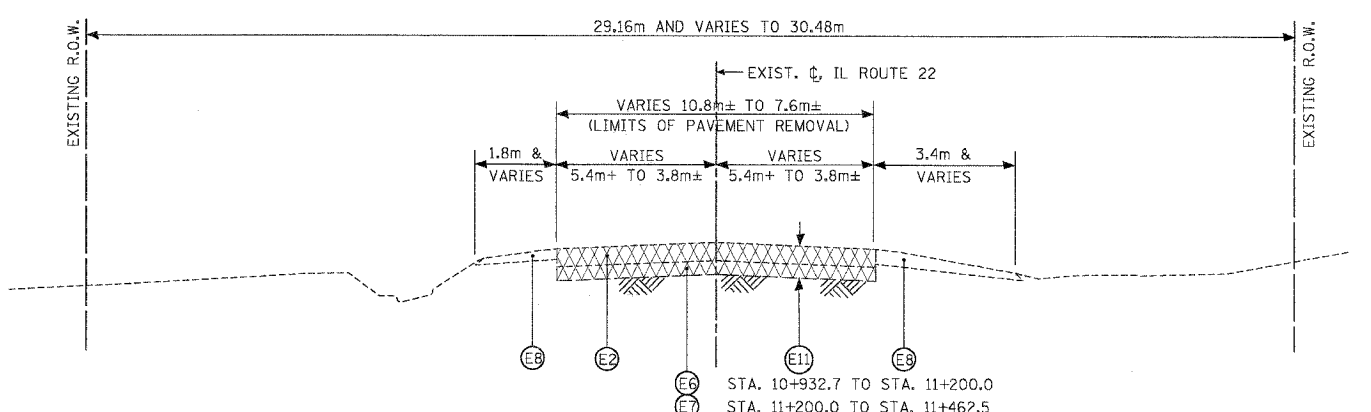
EXISTING TYPICAL SECTION - IL ROUTE 22  
STA. 10+200.0 TO STA. 10+400.0



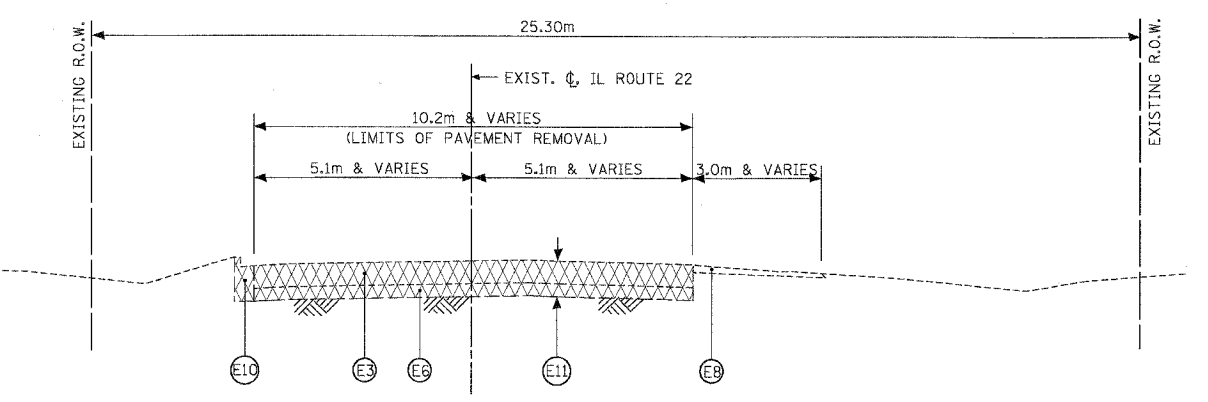
EXISTING TYPICAL SECTION - IL ROUTE 22  
STA. 10+718.3 TO STA. 10+932.7



EXISTING TYPICAL SECTION - IL ROUTE 22  
STA. 10+400.0 TO STA. 10+600.0



EXISTING TYPICAL SECTION - IL ROUTE 22  
STA. 10+932.7 TO STA. 11+462.5



EXISTING TYPICAL SECTION - IL ROUTE 22  
STA. 10+600.0 TO STA. 10+718.3

- LEGEND
- (E1) EXISTING BITUMINOUS SURFACE 190mm ±
  - (E2) EXISTING BITUMINOUS SURFACE 215mm ±
  - (E3) EXISTING BITUMINOUS SURFACE 275mm ±
  - (E4) EXISTING BITUMINOUS PAVEMENT 495mm ±
  - (E5) EXISTING BITUMINOUS PAVEMENT 320mm ±
  - (E6) EXISTING PCC BASE COURSE 175mm ±
  - (E7) EXISTING PCC BASE COURSE 235mm ±
  - (E8) EXISTING AGGREGATE SHOULDERS, THICKNESS VARIES
  - (E9) EXISTING BARRIER CURB
  - (E10) EXISTING CONCRETE CURB AND GUTTER TYPE B-15.60
  - (E11) PAVEMENT REMOVAL

REVISIONS	
NAME	DATE

ILLINOIS DEPARTMENT OF TRANSPORTATION  
ILLINOIS ROUTE 22

EXISTING TYPICAL SECTIONS  
ILLINOIS ROUTE 22

SCALE NTS  
DATE 03/11/05

DRAWN BY BDH  
CHECKED BY SMP