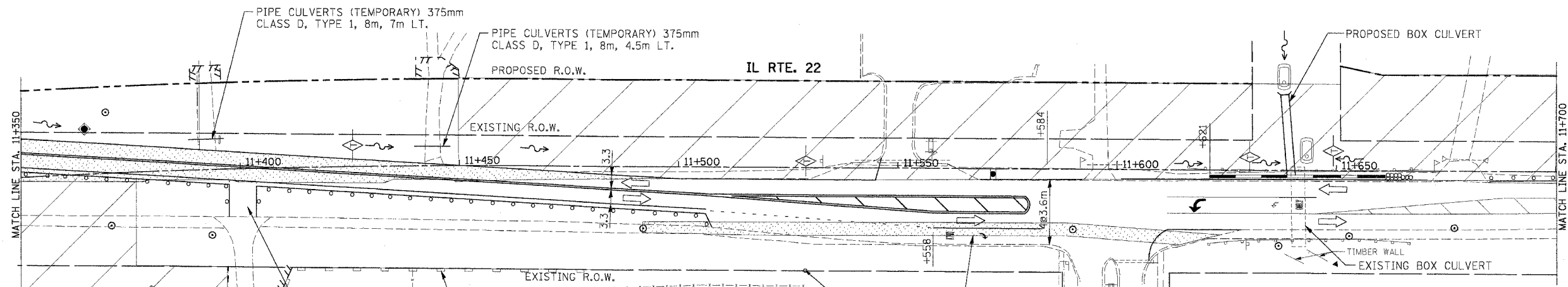
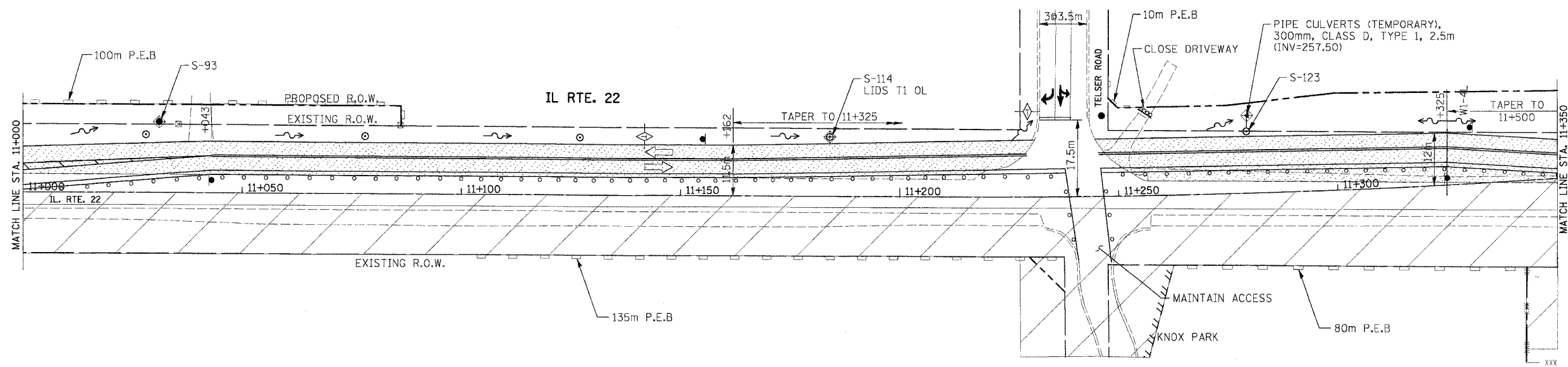


F.A.P. RTE.	SECTION	COUNTY	TOTAL SHEETS	SHEET NO.
337	20 WRS-6	LAKE	318	154
STA. 11+000		TO STA. 11+700		
FED. ROAD DIST. NO.		ILLINOIS FED. AID PROJECT		
CONTRACT NO. 62030				



- LEGEND**
- PERIMETER EROSION BARRIER (P.E.B.)
  - CONSTRUCTION FENCE
  - TEMPORARY EROSION CONTROL SEEDING
  - INLET FILTERS
  - INLET AND PIPE PROTECTION
  - TEMPORARY DITCH CHECKS
  - SEDIMENT BASIN
  - EROSION CONTROL BLANKET
  - TEMPORARY PAVEMENT
  - CONSTRUCTION AREA
  - DRAINAGE STRUCTURES

REVISIONS	
NAME	DATE

ILLINOIS DEPARTMENT OF TRANSPORTATION  
 ILLINOIS ROUTE 22  
 STORMWATER POLLUTION PREVENTION PLAN  
 STAGE I  
 STA. 11+000 TO STA. 11+700  
 SCALE IN METERS  
 HORIZ. (1:500) DRAWN BY: SMP  
 DATE: 03/11/05 CHECKED BY: MGJ