

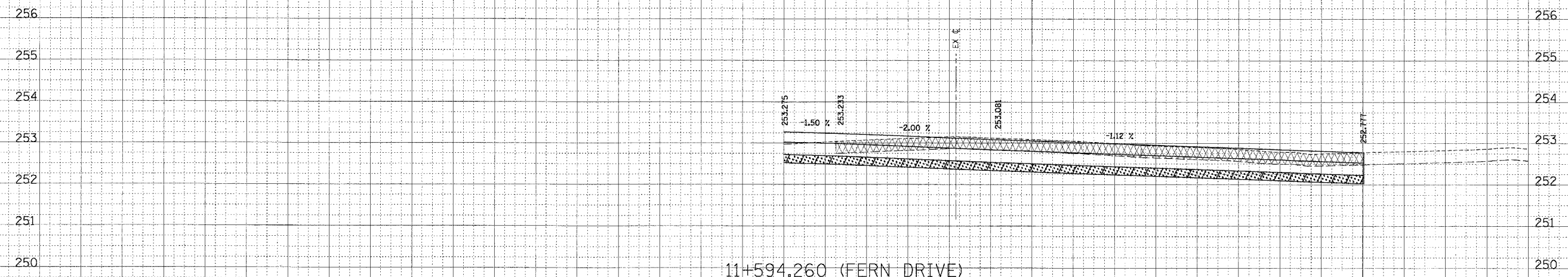
34 32 30 28 26 24 22 20 18 16 14 12 10 8 6 4 2 0 2 4 6 8 10 12 14 16 18 20 22 24 26

IL ROUTE 22

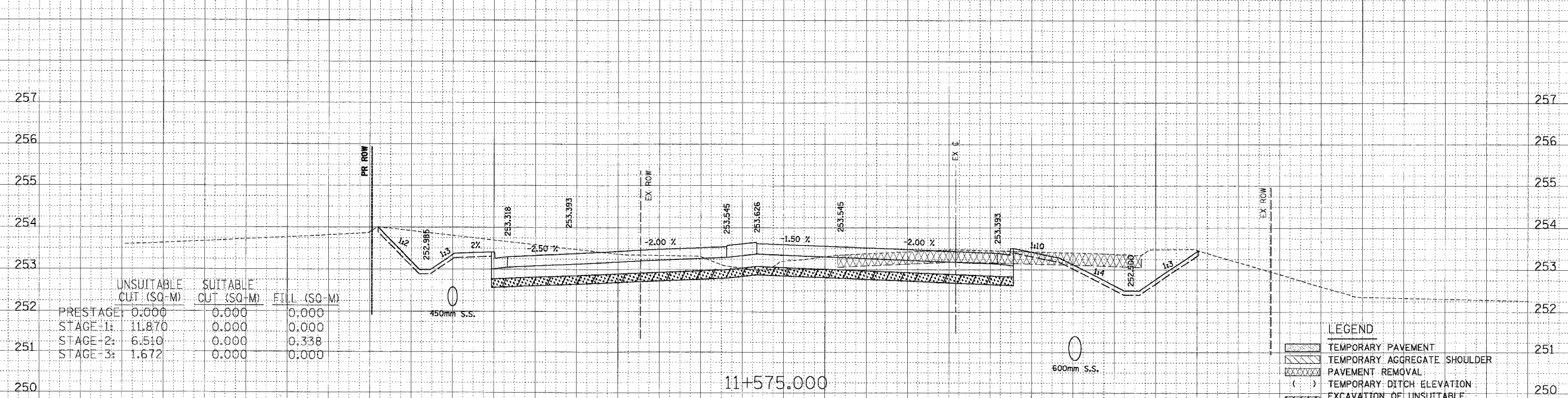
F.A.P. RTE.	SECTION	COUNTY	TOTAL SHEETS	SHEET NO.
337	20 WRS-6	LAKE	318	254
STA. 11+575		TO STA. 11+594.260		
FED. ROAD DIST. NO.		ILLINOIS FED. AID PROJECT		
CONTRACT NO. 62030				

FINAL SURVEY	BY	DATE
REVISIONS		
NOTE BOOK		
TEMPLATE		
AREAS CHECKED		

ORIGINAL SURVEY	BY	DATE
REVISIONS		
NOTE BOOK		
TEMPLATE		
AREAS CHECKED		



11+594.260 (FERN DRIVE)



	UNSUITABLE CUT (SQ-M)	SUITABLE CUT (SQ-M)	FILL (SQ-M)
PRESTAGE:	0.000	0.000	0.000
STAGE-1:	11.870	0.000	0.000
STAGE-2:	6.510	0.000	0.338
STAGE-3:	1.672	0.000	0.000

LEGEND

- TEMPORARY PAVEMENT
- TEMPORARY AGGREGATE SHOULDER
- PAVEMENT REMOVAL
- TEMPORARY DITCH ELEVATION
- EXCAVATION OF UNSUITABLE SOIL FOR UNDERCUTS
- POROUS GRANULAR EMBANKMENT, SUBGRADE

34 32 30 28 26 24 22 20 18 16 14 12 10 8 6 4 2 0 2 4 6 8 10 12 14 16 18 20 22 24 26 28 30 32 34

11+575.000