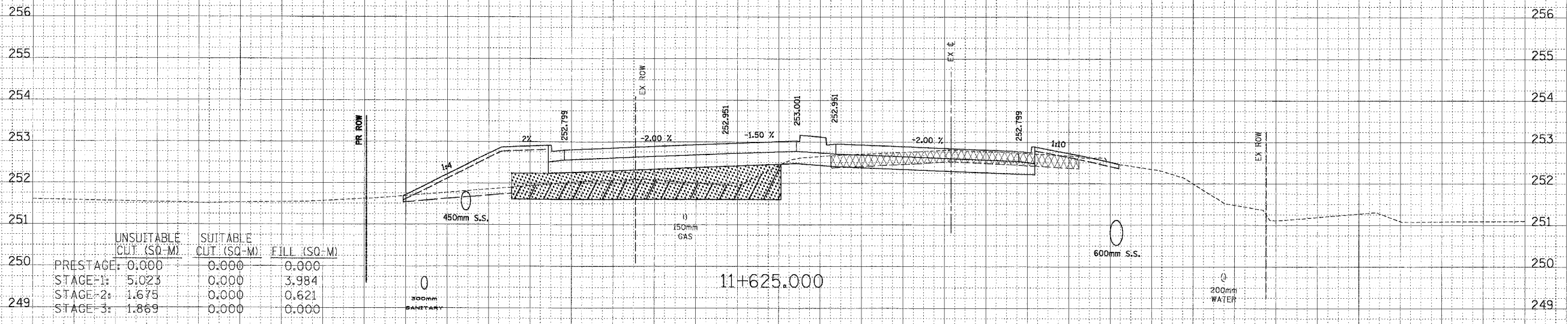


34 32 30 28 26 24 22 20 18 16 14 12 10 8 6 4 2 0 2 4 6 8 10 12 14 16 18 20 22 24 26

IL ROUTE 22

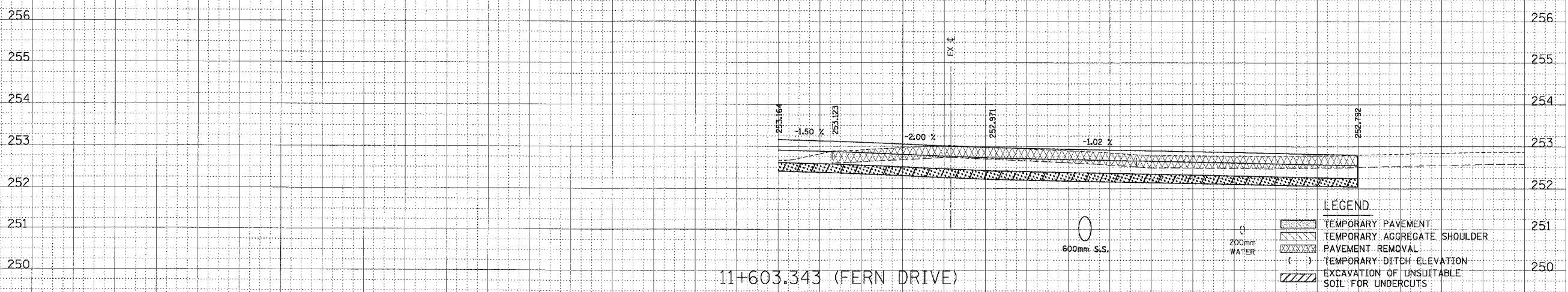
F.A.P. RTE.	SECTION	COUNTY	TOTAL SHEETS	SHEET NO.
337	20 WRS-6	LAKE	318	254
STA. 11+603.343		TO STA. 11+625		
FED. ROAD DIST. NO.		ILLINOIS FED. AID PROJECT		
CONTRACT NO. 162030				

FINAL SURVEY	BY	DATE
SURVEY		
NOTE BOOK		
TEMPLATE		
AREAS		
CHECKED		
NO.		



	UNSUITABLE CUT (SQ-M)	SUITABLE CUT (SQ-M)	FILL (SQ-M)
PRESTAGE	0.000	0.000	0.000
STAGE-1	5.023	0.000	3.984
STAGE-2	1.675	0.000	0.621
STAGE-3	1.869	0.000	0.000

ORIGINAL SURVEY	BY	DATE
SURVEY		
NOTE BOOK		
TEMPLATE		
AREAS		
CHECKED		
NO.		



LEGEND

[Symbol]	TEMPORARY PAVEMENT
[Symbol]	TEMPORARY AGGREGATE SHOULDER
[Symbol]	PAVEMENT REMOVAL
[Symbol]	TEMPORARY DITCH ELEVATION
[Symbol]	EXCAVATION OF UNSUITABLE SOIL FOR UNDERCUTS
[Symbol]	POROUS GRANULAR EMBANKMENT, SUBGRADE

34 32 30 28 26 24 22 20 18 16 14 12 10 8 6 4 2 0 2 4 6 8 10 12 14 16 18 20 22 24 26 28 30 32 34