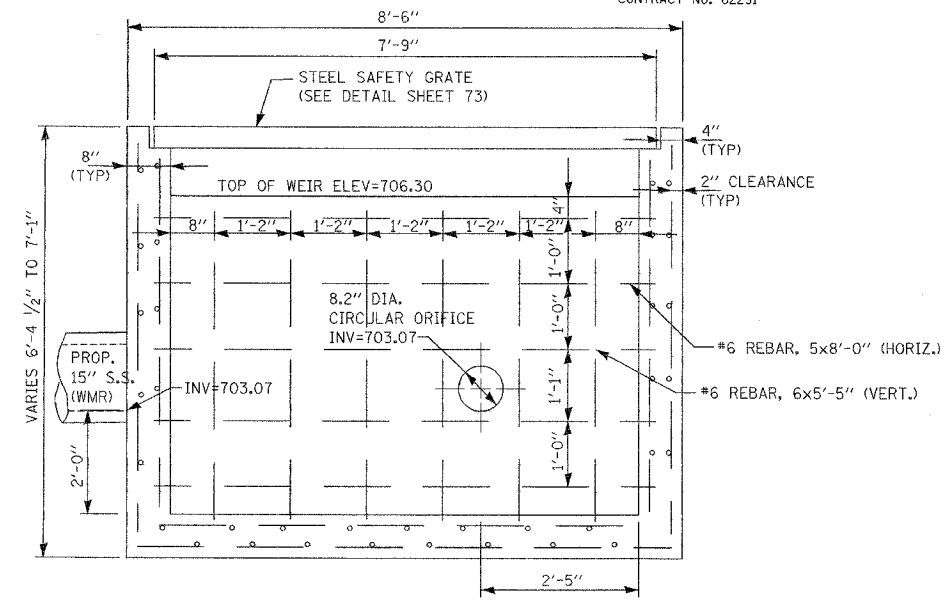
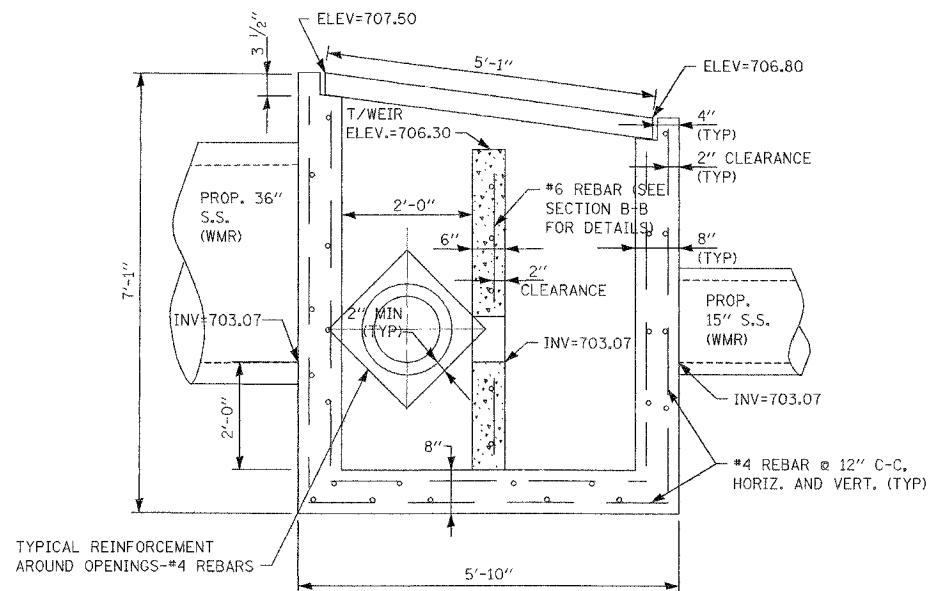
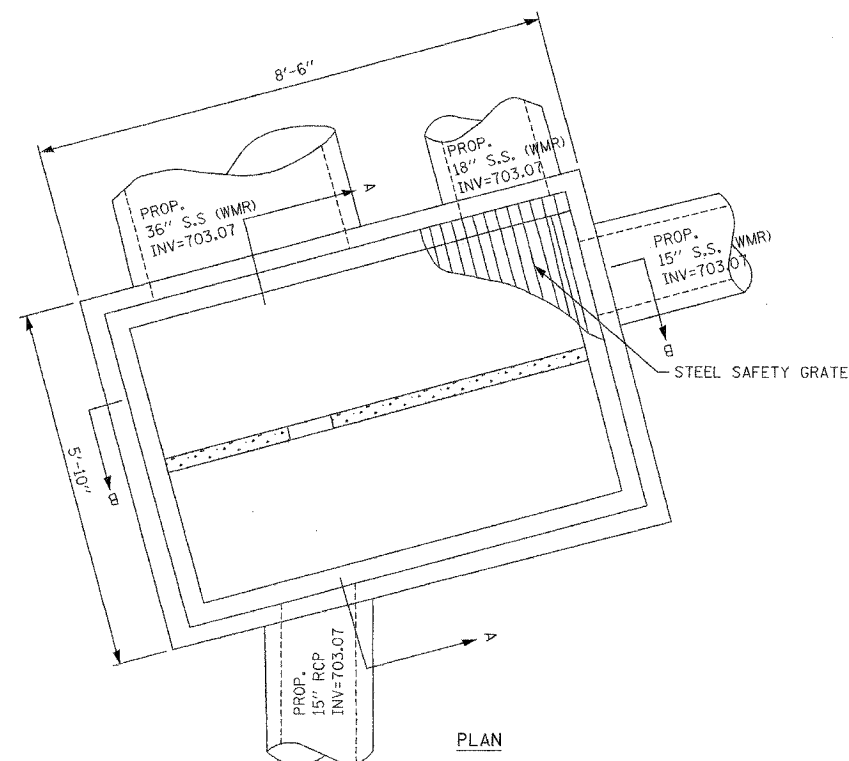
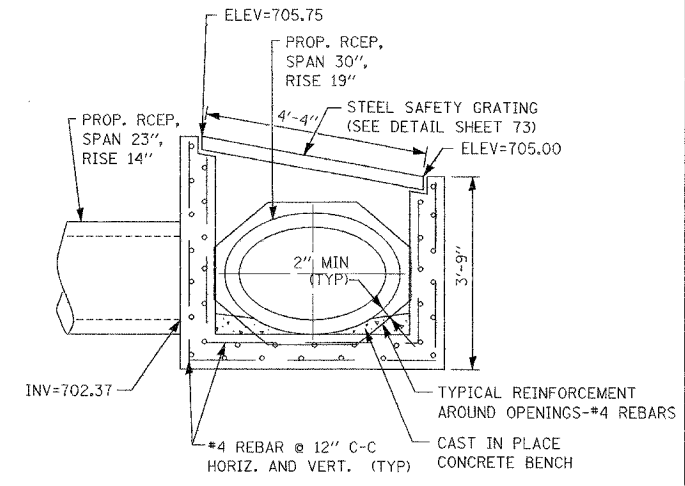
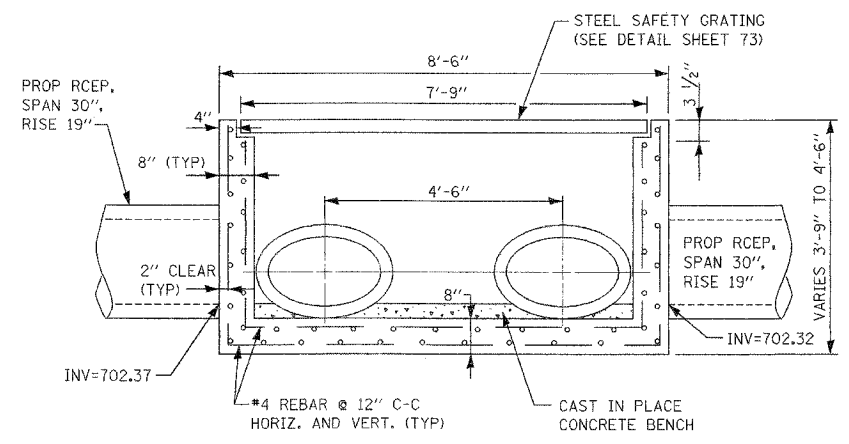
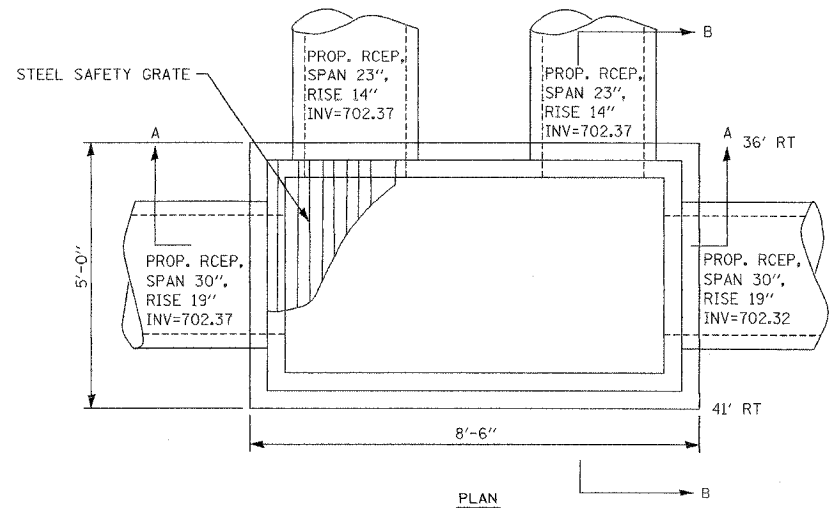


F.A.U. RTE.	SECTION	COUNTY	TOTAL SHEETS	SHEET NO.
3545	54-WRS-7	DUPAGE	235	71
STA.	TO STA.			
FED. ROAD DIST. NO.	ILLINOIS	FED. AID PROJECT		
CONTRACT NO. 62291				



JUNCTION CHAMBER #3  
STA. 262+60, S-132



JUNCTION CHAMBER #4  
STA. 270+13, S-157

REVISIONS		ILLINOIS DEPARTMENT OF TRANSPORTATION F.A.U. ROUTE 3545 IL RTE 56 (BUTTERFIELD ROAD)
NAME	DATE	
		DRAINAGE DETAILS (JUNCTION CHAMBERS #3 AND #4)

SCALE: NTS  
DATE: 2/20/04

DRAWN BY: SMP  
CHECKED BY: BDH