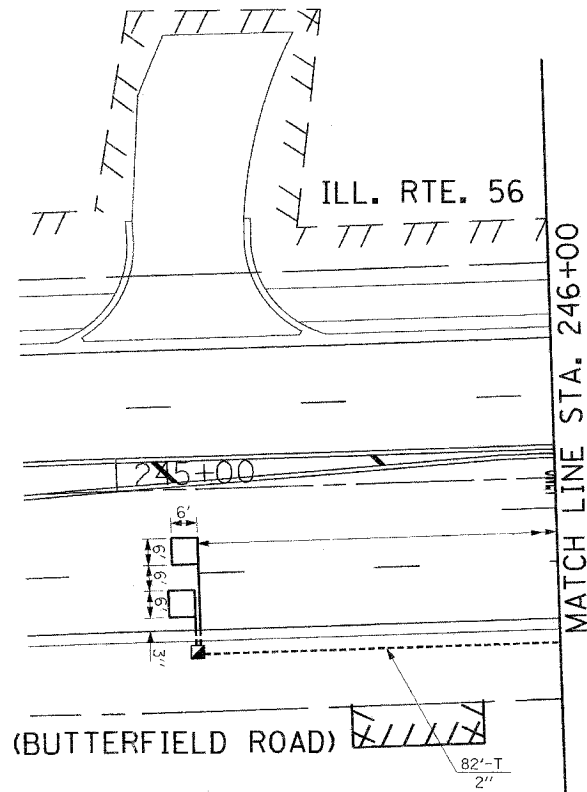
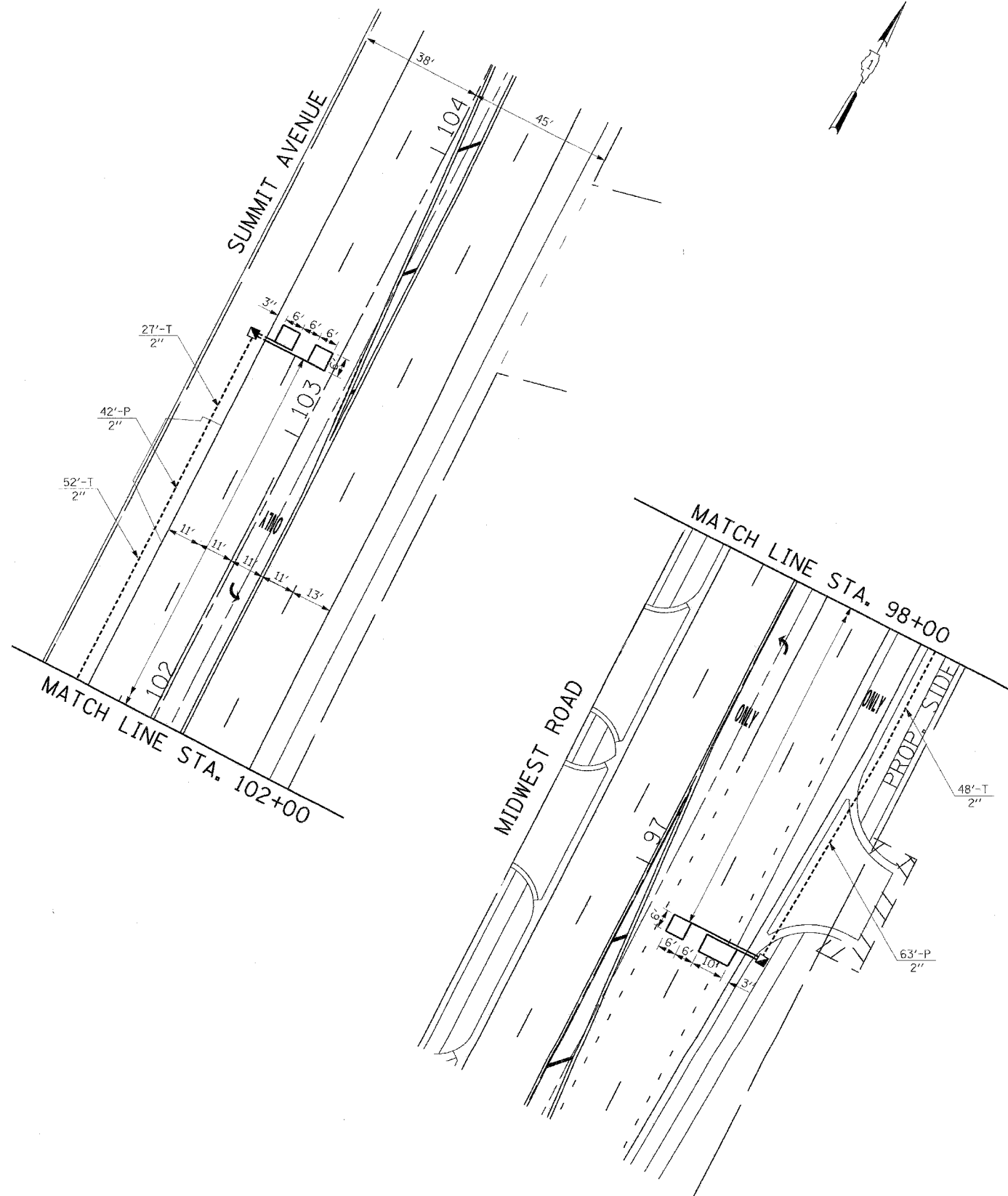


F.A.U. RTE.	SECTION	COUNTY	TOTAL SHEETS	SHEET NO.
3545	54 WRS-7	DUPAGE	235	112
STA.	TO STA.			
FED. ROAD DIST. NO.	ILLINOIS	FED. AID PROJECT:		
D-91-386-01	CONTRACT NO. 62291			



TRAFFIC SIGNAL LEGEND

	PROPOSED	EXISTING
CONTROLLER		
SERVICE INSTALLATION		
SIGNAL HEAD		
SIGNAL HEAD WITH BACKPLATE		
SIGNAL HEAD, PEDESTRIAN		
SIGNAL POST		
MAST ARM ASSEMBLY AND POLE, STEEL		
MAST ARM ASSEMBLY AND POLE, ALUMINUM		
COMBINATION MAST ARM ASSEMBLY AND POLE, STEEL WITH LUMINAIRE		
UNIT DUCT		
COMMON TRENCH		
HANDHOLE		
HEAVY DUTY HANDHOLE		
DOUBLE HANDHOLE		
GALVANIZED STEEL CONDUIT IN TRENCH OR PUSHED		
PEDESTRIAN PUSHBUTTON DETECTOR		
DETECTOR LOOP		
CAST IRON JUNCTION BOX		
EMERGENCY VEHICLE SYSTEM DETECTOR		
CONFIRMATION BEACON		
SIGNAL HEAD, OPTICALLY PROGRAMMED		
CONDUIT SPLICE		
WOOD POLE		
RACEWAY FOR MAGNETIC DETECTOR, TYPE I OR TYPE II		
VEHICLE DETECTOR, NON COMPENSATED MAGNETIC TYPE		
RAILROAD CONTROL CABINET		
TELEPHONE CONNECTION		
ILLUMINATED SIGN, FIBER OPTIC 'NO LEFT TURN'		
ILLUMINATED SIGN, FIBER OPTIC 'NO RIGHT TURN'		
MICROWAVE VEHICLE SENSOR		

THE TRAFFIC SIGNAL CONTROL EQUIPMENT FOR THIS PROJECT SHALL BE "ECONOLITE" TO MATCH THE EXISTING ADJACENT SYSTEM.

GO GANDHI AND ASSOCIATES, INC.
ENGINEERS AND PLANNERS
6032 N. NORTHWEST HIGHWAY
SUITE 305
CHICAGO, ILLINOIS 60631 TEL. (773) 774-5910

REVISIONS	
NAME	DATE

ILLINOIS DEPARTMENT OF TRANSPORTATION

TRAFFIC SIGNAL MODERNIZATION
ILLINOIS ROUTE 56 (BUTTERFIELD ROAD)
AT SUMMIT AVENUE-MIDWEST ROAD
SHEET 2 OF 2

DATE: 9/03/04
DRAWN BY: JEK
DESIGNED BY: PKG
CHECKED BY: PKG