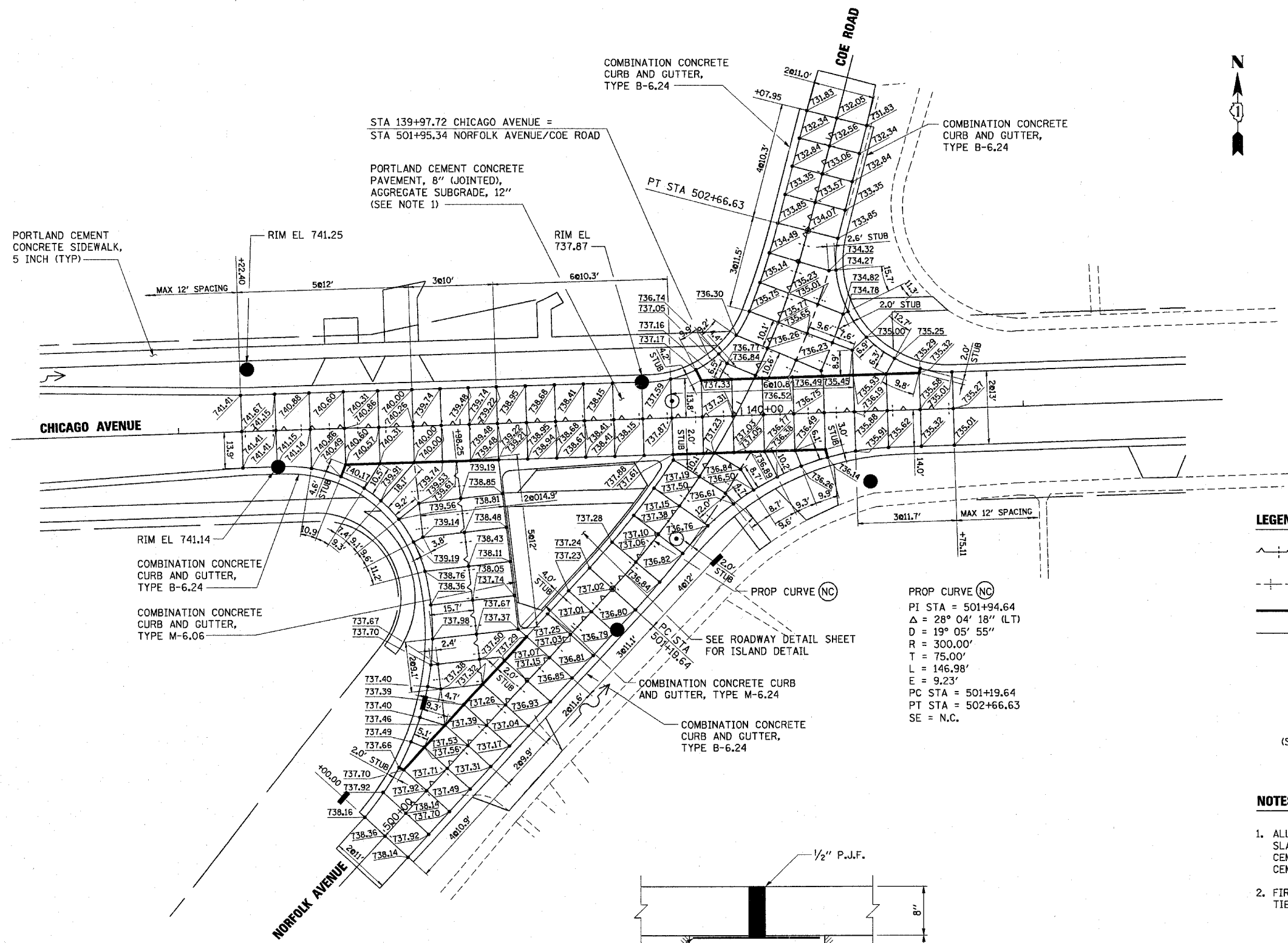


F.A.U. RTE.	SECTION	COUNTY	TOTAL SHEETS	SHEET NO.
1487	66R	DU PAGE	412	122
STA. 23+00.00		TO STA. 144+00.00		
FED. ROAD DIST. NO.	ILLINOIS	FED. AID PROJECT		
CONTRACT NO. 62376				

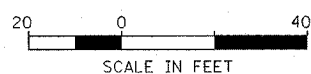
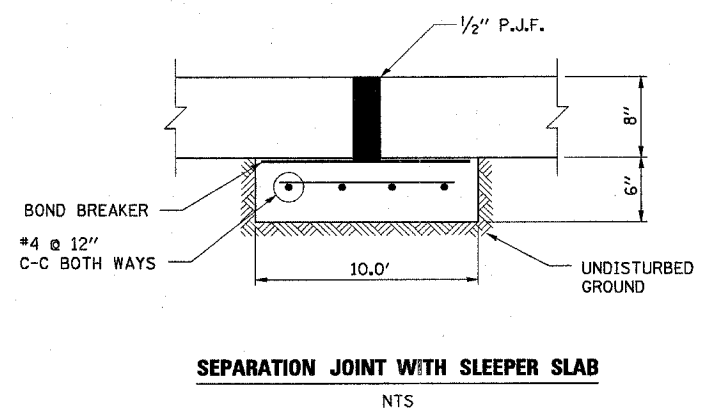


**LEGEND:**

- CONSTRUCTION JOINT W/TIE BARS
- SAWED LONGITUDINAL JOINT W/TIE BARS
- SEPARATION JOINT WITH SLEEPER SLAB (SEE DETAIL ON THIS SHEET)
- SAWED CONTRACTION JOINT
- PROPOSED MANHOLE
- PROPOSED CATCH BASIN
- PROPOSED INLET

(SEE STANDARDS 420001, 420101, AND 420111 FOR MORE INFORMATION)

- NOTES:**
- ALL JOINTS EXCEPT EXPANSION JOINT WITH SLEEPER SLAB SHALL BE INCLUDED IN THE COST OF PORTLAND CEMENT CONCRETE PAVEMENT, 9" (JOINTED) OR PORTLAND CEMENT CONCRETE PAVEMENT, 8" (JOINTED)
  - FIRST PANEL ADJACENT TO CHICAGO AVE SHALL HAVE TIE BARS ON ALL SIDES.



REVISIONS	
NAME	DATE

ILLINOIS DEPARTMENT OF TRANSPORTATION

**INTERSECTION DETAILS  
CHICAGO AVENUE, NORFOLK AVENUE,  
AND  
COE ROAD**

SCALE: 1"=20'  
DATE 14-JAN-2005

DRAWN BY E.D.  
CHECKED BY G.T.

Illinois Firm Registration No. 04-00533

**Stanley Consultants INC.**  
850 West Higgins Road, Suite 730  
Chicago, Illinois 60639-2803  
www.stanleyinc.com