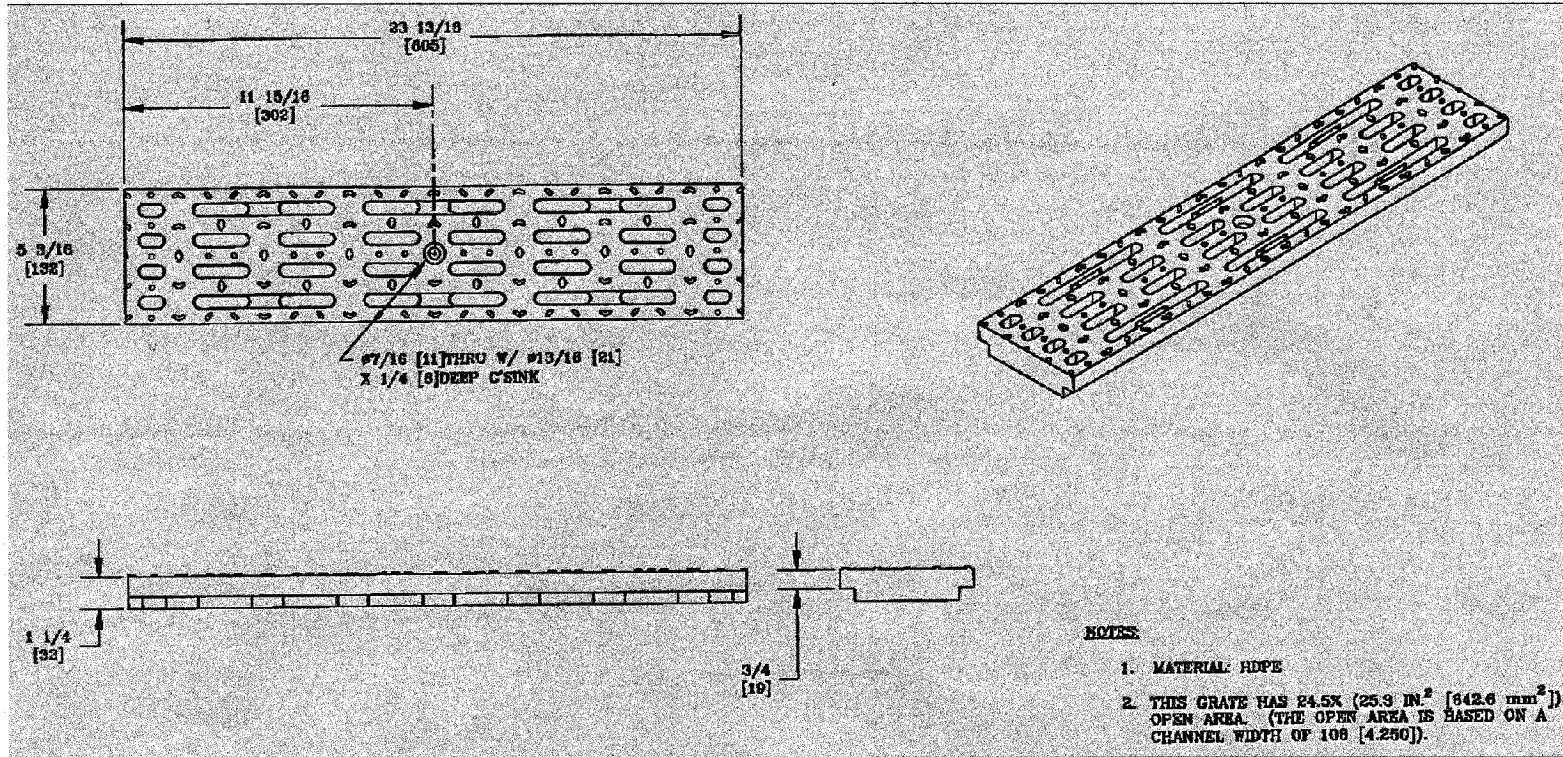
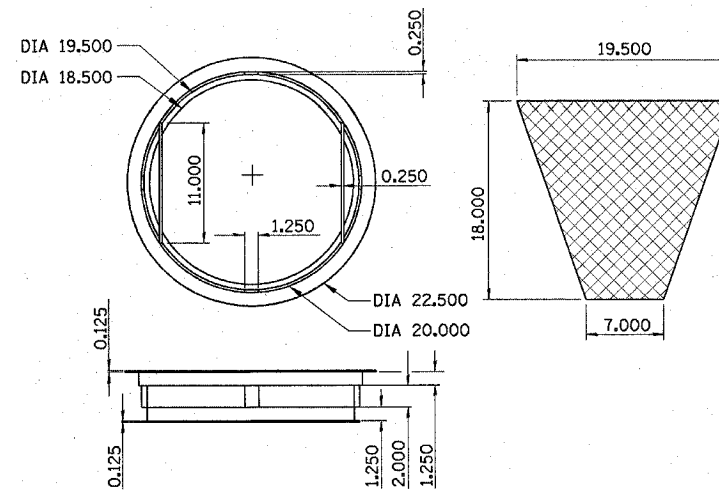


F.A.U. RTE.	SECTION	COUNTY	TOTAL SHEETS	SHEET NO.
1487	66R	DUPAGE	412	194
STA. 23+00.00		TO STA. 144+00.00		
FED. ROAD DIST. NO.		ILLINOIS FED. AID PROJECT		
CONTRACT NO. 62376				



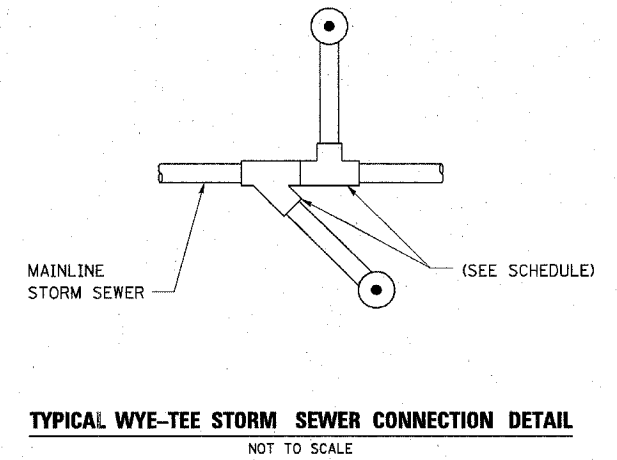
TRANSVERSE GRATE DETAIL
NOT TO SCALE

- NOTES:**
1. MATERIAL: HDPE
 2. THIS GRATE HAS 24.5% (25.9 IN.² [642.6 mm²]) OPEN AREA. (THE OPEN AREA IS BASED ON A CHANNEL WIDTH OF 108 [4.250]).

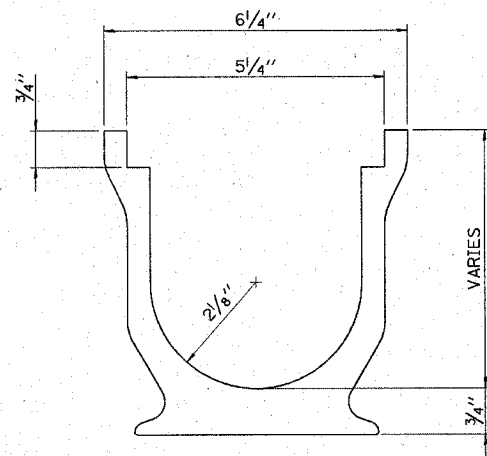


SEDIMENT CONTROL DRAINAGE STRUCTURE INLET FILTER DETAIL
(ALL DIMENSIONS IN INCHES)

- NOTES:**
- FRAME: TOP RING CONSTRUCTED FROM 1/4" x 1/4" x 1/8" ANGLE. BASE RING CONSTRUCTED FROM 1/2" x 1/2" x 1/8" CHANNEL HANDLES AND SUSPENSION BRACKETS CONSTRUCTED FROM 7" x 12" FLAT. ALL STEEL CONFORMING TO ASTM-A36
- REPLACEABLE BAG: CONSTRUCTED FROM 4 OZ/SQ.YD. NON-WOVEN POLYPROPYLENE GEOTEXTILE REINFORCED WITH POLYESTER MESH. CONNECTED TO BASE RING WITH STAINLESS STEEL STRAP & LOCK.

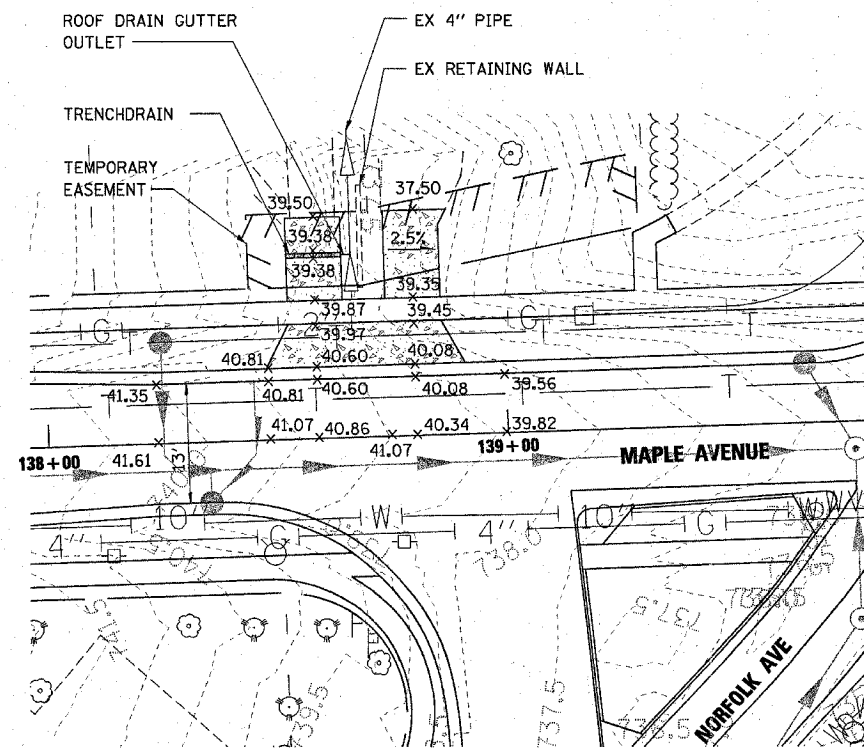


TYPICAL WYE-TEE STORM SEWER CONNECTION DETAIL
NOT TO SCALE



TRENCHDRAIN
NOT TO SCALE

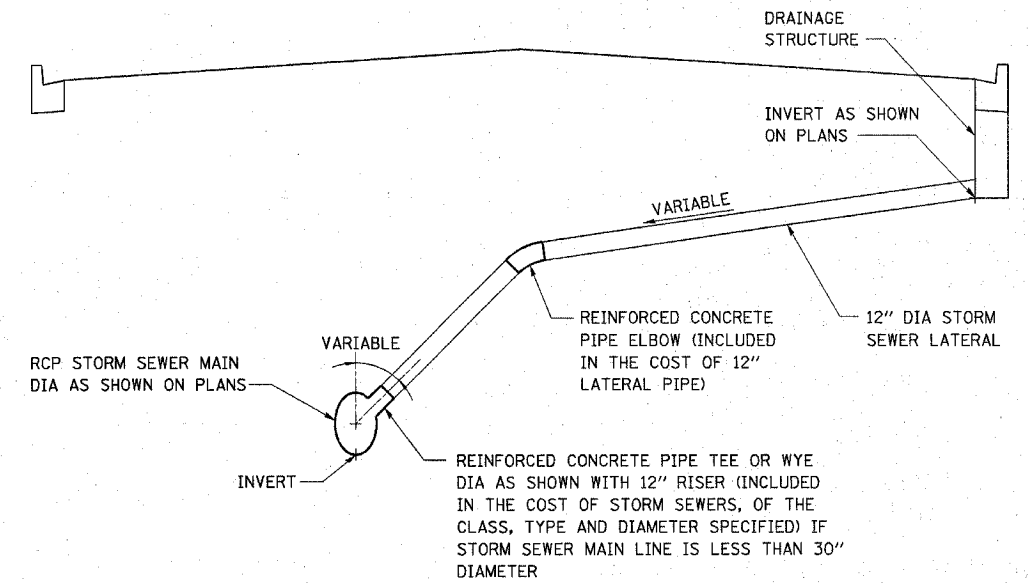
TRENCHDRAIN SHALL BE 600 SERIES STRONGWELL POLYCAST PRESLOPED SYSTEM OR APPROVED EQUAL WORK INCLUDES TRANSVERSE GRATE.



DRIVEWAY TRENCHDRAIN DETAIL

STA 138+59 LEFT
SCALE: 1"=20'

A 12" DIA PVC PIPE SHALL BE USED TO CONNECT THE SLOTTED DRAIN TO THE EX 12" DIA PIPE INCLUDED IN THE COST OF ROOF DRAIN GUTTER OUTLET



STORM SEWER LATERAL DETAIL BLIND CONNECTION WITH VERTICAL DROP

NOT TO SCALE

Illinois Firm Registration No: 04-00533

250 West Higgins Road, Suite 730
Chicago, Illinois 60638-2834
www.stanleygroup.com

REVISIONS	
NAME	DATE

ILLINOIS DEPARTMENT OF TRANSPORTATION

DRAINAGE DETAILS
MAPLE AVENUE / CHICAGO AVENUE

SCALE: AS NOTED
DATE: 31-MAR-2005

DRAWN BY: E.D.
CHECKED BY: G.T.