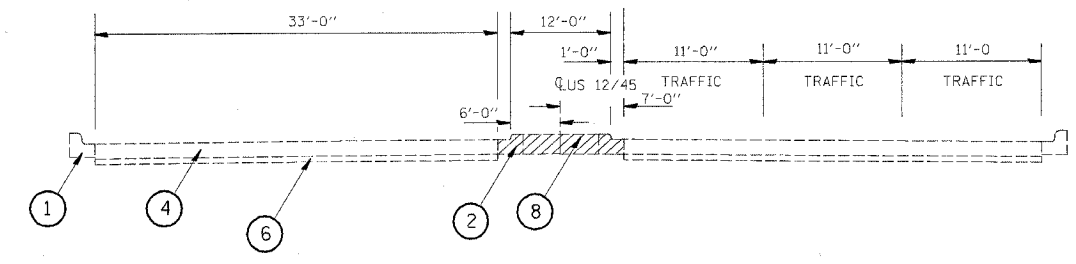


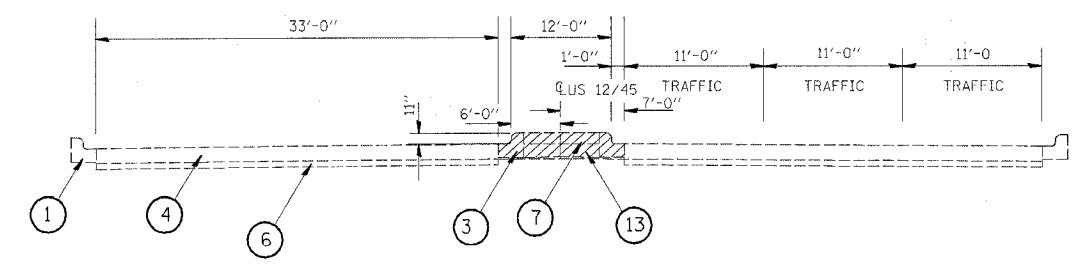
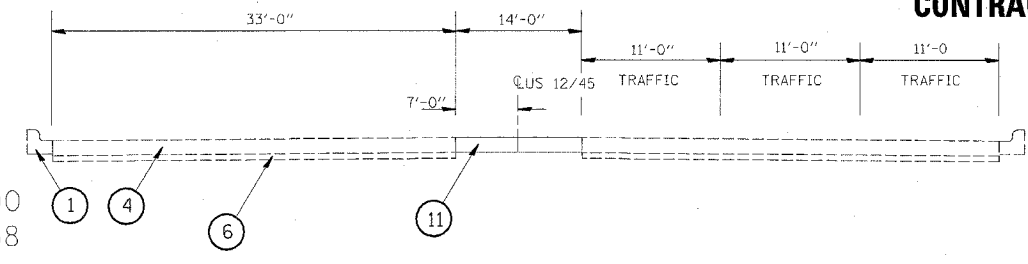
### EXISTING

### PROPOSED

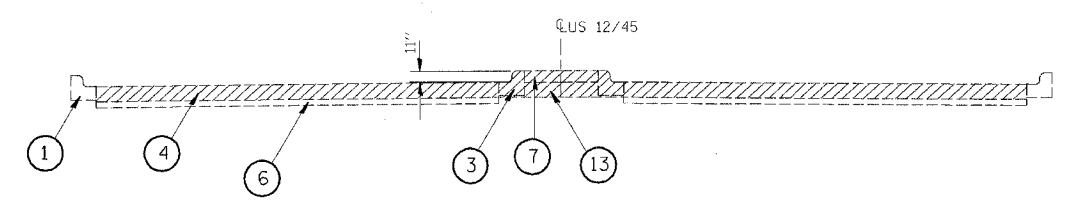
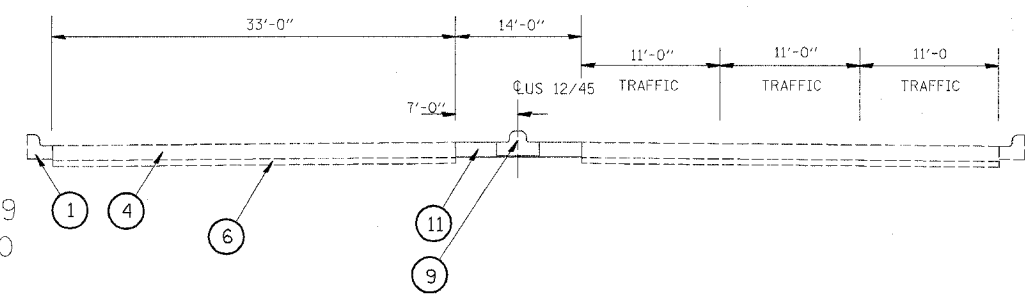
**CONTRACT NO. 62603**



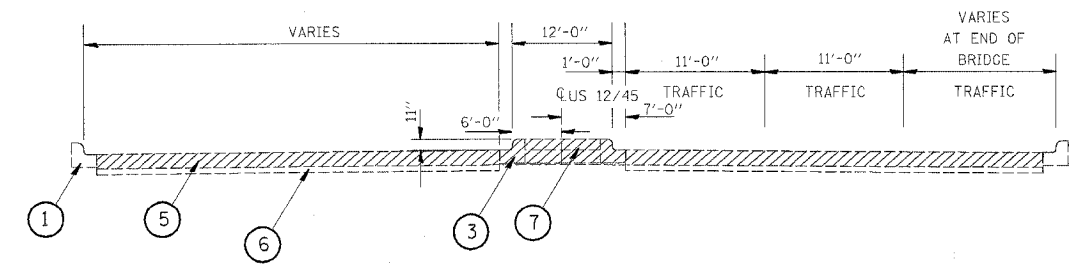
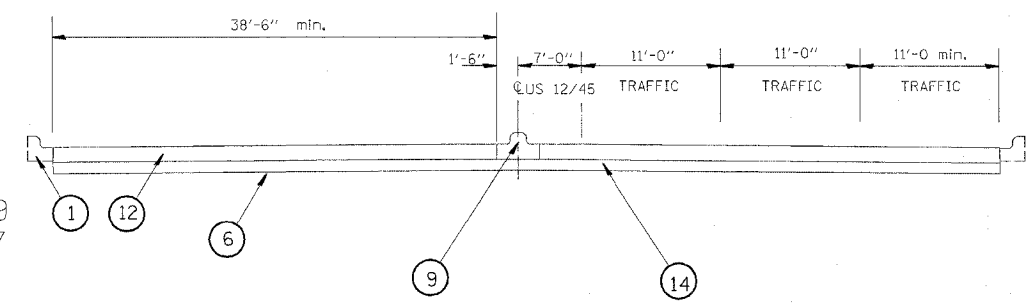
STA 55+54.38 TO 55+70.00  
STA 59+25.00 TO 59+54.38



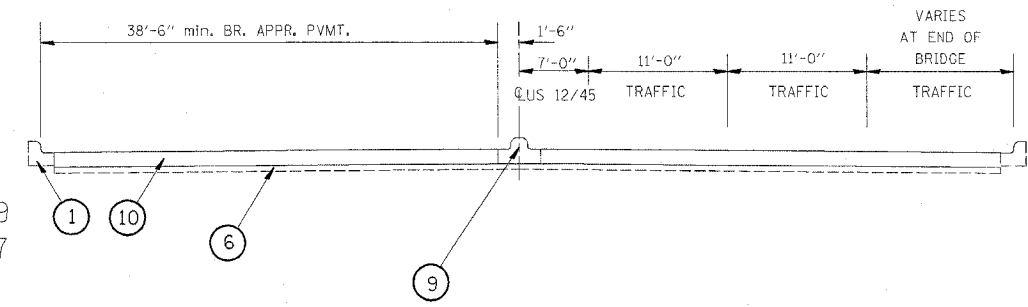
STA 55+70.00 TO 56+71.59  
STA 58+37.17 TO 59+25.00



STA 56+71.59 TO 56+81.59  
STA 58+27.17 TO 58+37.17



STA 56+81.59 TO 57+01.59  
STA 58+07.17 TO 58+27.17



- ① EXISTING CONCRETE COMBINATION CURB AND GUTTER, TYPE B 6.12
- ② EXISTING CONCRETE COMBINATION CURB AND GUTTER, TYPE M 2.12
- ③ EXISTING CONCRETE COMBINATION CURB AND GUTTER, TYPE B 11.12
- ④ EXISTING PCC PAVEMENT 10"
- ⑤ EXISTING APPROACH PAVEMENT

- ⑥ EXISTING GRANULAR SUB-BASE
- ⑦ EXISTING NONTRAVERSABLE CONCRETE MEDIAN SURFACE, 4"
- ⑧ EXISTING BITUMINOUS CONCRETE MEDIAN 12"
- ⑨ PROPOSED CURB AND GUTTER (SPECIAL)
- ⑩ PROPOSED BRIDGE APPROACH PAVEMENT

- ⑪ PROPOSED BITUMINOUS PAVEMENT 10" (SFC. CRSE. 2", LEV. BINDER 8")
- ⑫ PROPOSED BRIDGE APPR. PVMT. CONNECTOR (PCC)
- ⑬ EXISTING 17" EARTH FILL
- ⑭ CONCRETE PAD

REVISIONS	
NAME	DATE

ILLINOIS DEPARTMENT OF TRANSPORTATION  
ROADWAY TYPICAL SECTIONS  
LOC 1: US 12/ 45  
(MANNHEIM RD)

SCALE: VERT. DATE 4/16/2005  
HORIZ. DATE 4/16/2005

DRAWN BY  
CHECKED BY