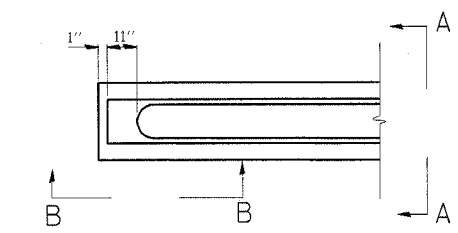
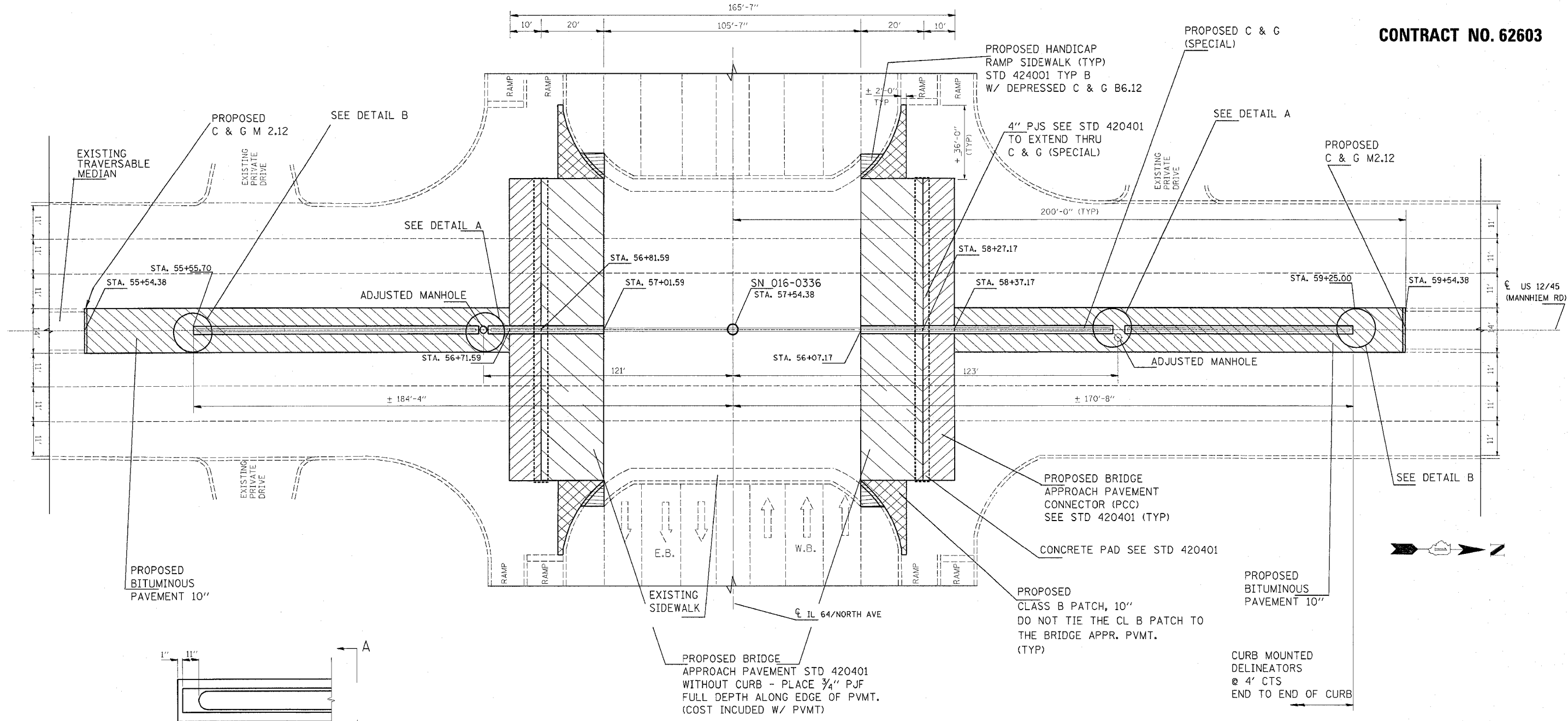
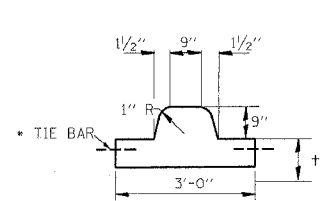


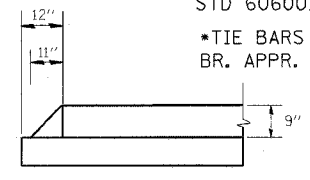
CONTRACT NO. 62603



DETAIL "B"



SECT A-A



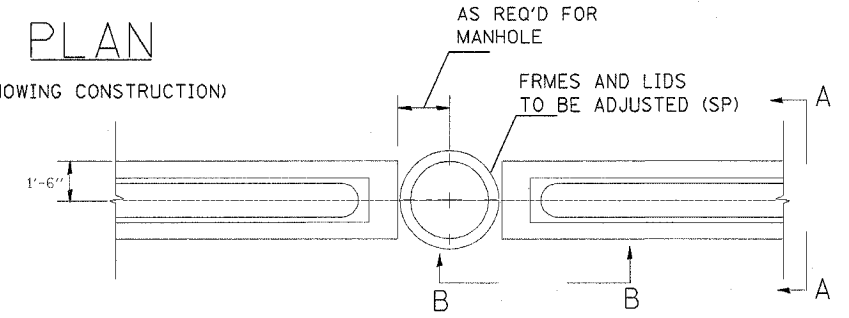
SECT B-B

± = THICKNESS OF ADJACENT BITUM. PVMT. OR PCC BRIDGE APPR. PVMT OR BRIDGE APPR. PVMT CONNECTOR (PCC) FOR ADDITIONAL NOTES AND DETAILS SEE STD 606001

*TIE BARS USED WHEN ADJACENT TO PCC BR. APPR. PVMT. AND PCC CONECTOR PVMT.

PLAN

(SHOWING CONSTRUCTION)



DETAIL "A"

REVISIONS	
NAME	DATE

ILLINOIS DEPARTMENT OF TRANSPORTATION
ROADWAY PLAN
 LOC 1: US 12/ 45
 (MANNHEIM RD)
CONSTRUCTION

SCALE: VERT. HORIZ. DATE 4/16/2005 DRAWN BY CHECKED BY