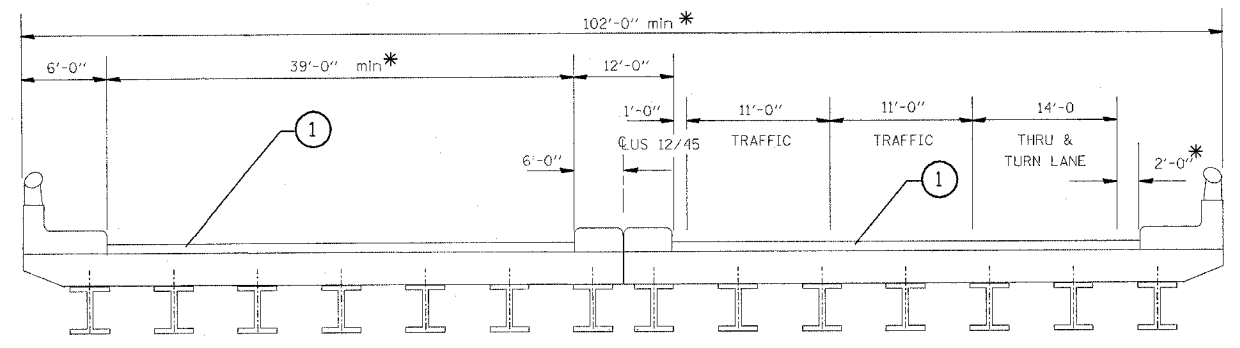
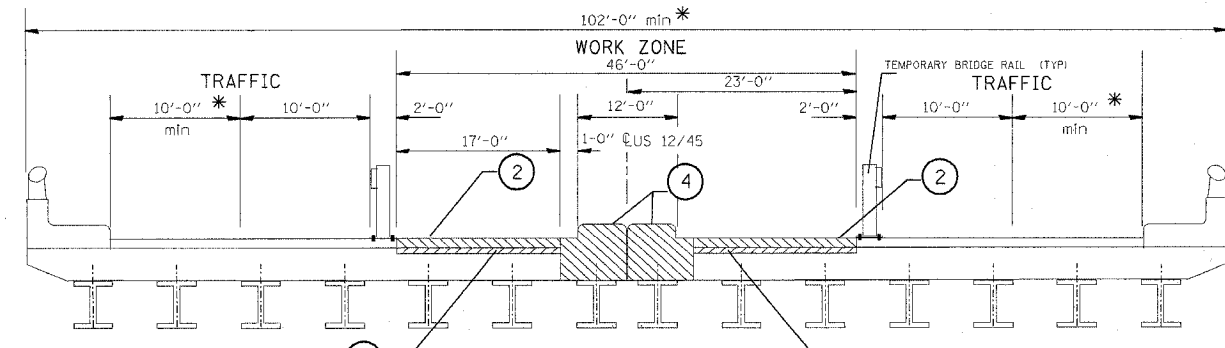


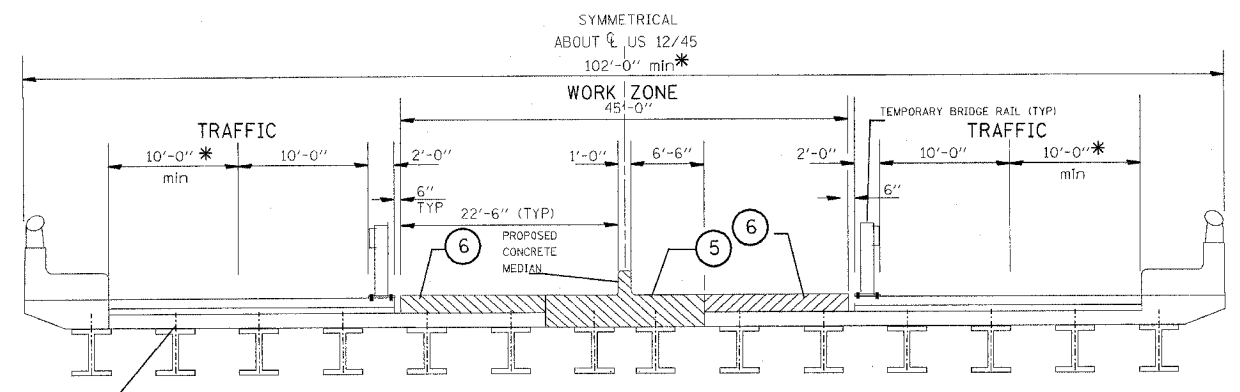
CONTRACT NO. 62603



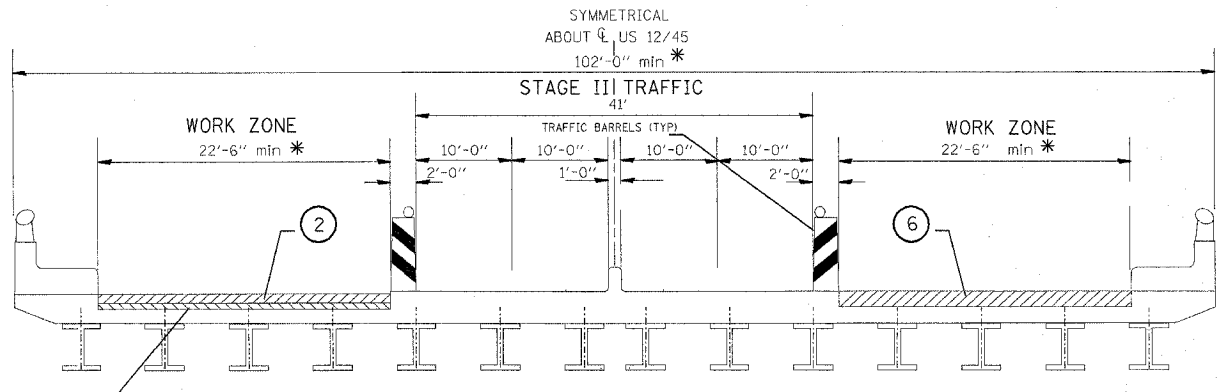
EXISTING
(LOOKING NORTH)



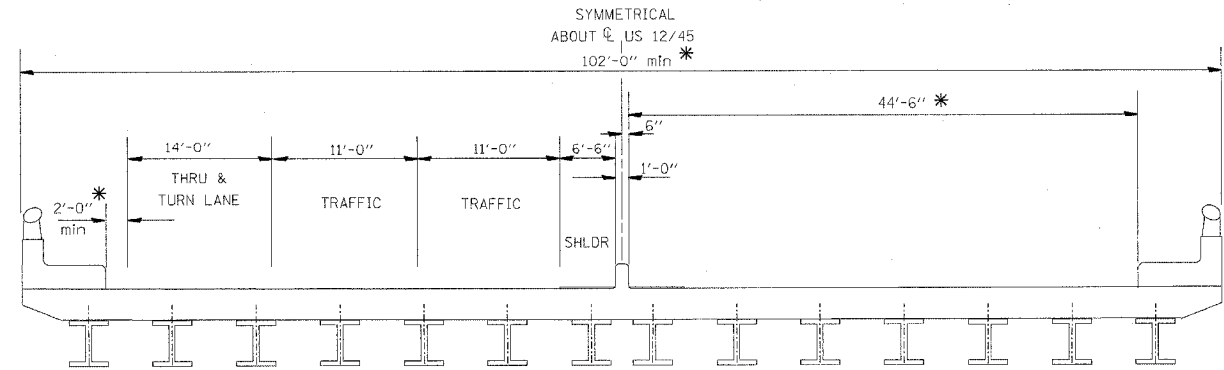
STAGE I REMOVAL
(LOOKING NORTH)



STAGE I CONSTRUCTION
(LOOKING NORTH)



STAGE II
(LOOKING NORTH)



FINAL
(LOOKING NORTH)

LEGEND

- ① EXISTING BITUMIMOUS WEARING SURFACE 1/2"
- ② BITUMINOUS SURFACE REMOVAL
- ③ BRIDGE DECK HYDRO-SACRIFICATION 3/4"
- ④ CONCRETE REMOVAL
- ⑤ CONCRETE SUPERSTRUCTURE
- ⑥ BRIDGE DECK LATEX CONCRETE OVERLAY 2 1/4"

* VARIES AT END OF BRIDGE

| REVISIONS | |
|-----------|------|
| NAME | DATE |
| | |
| | |
| | |
| | |
| | |
| | |
| | |
| | |
| | |
| | |

ILLINOIS DEPARTMENT OF TRANSPORTATION
TRAFFIC STAGING
 US 12/ 45 OVER IL 64
 SECTIONS
 SN 016-0336
 SCALE: VERT. DRAWN BY
 HORIZ. CHECKED BY
 DATE 4/18/2005