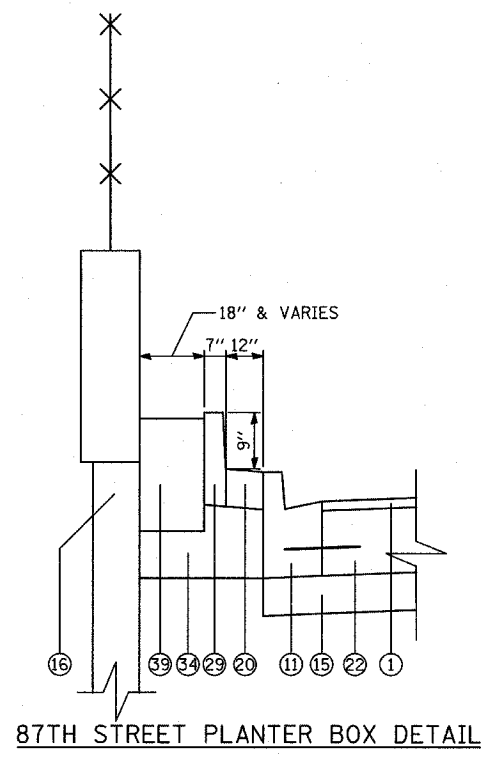
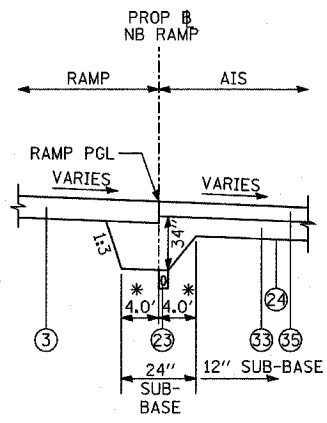
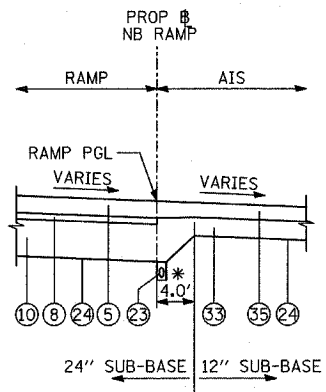


\* - ADDITIONAL THICKNESS OF SUB-BASE GRANULAR MATERIAL SHALL BE INCLUDED IN THE COST OF SUB-BASE GRANULAR MATERIAL, TYPE B 24".



REVISIONS		NAME	DATE
NO.	DESCRIPTION		

ILLINOIS DEPARTMENT OF TRANSPORTATION  
F.A.I. 94 (DAN RYAN EXPRESSWAY)

PROPOSED TYPICAL SECTIONS  
NB ENTRANCE/EXIT RAMPS WITH AIS  
(SHEET 4 OF 5)

SCALE: NONE      DRAWN BY: MPG  
DATE: MARCH 18, 2005      CHECKED BY: JPM