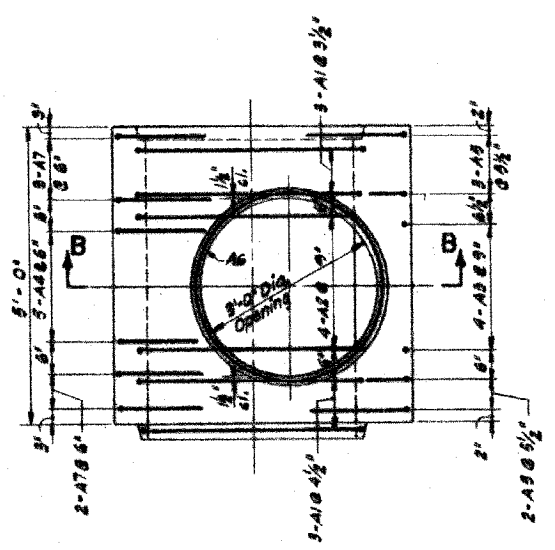
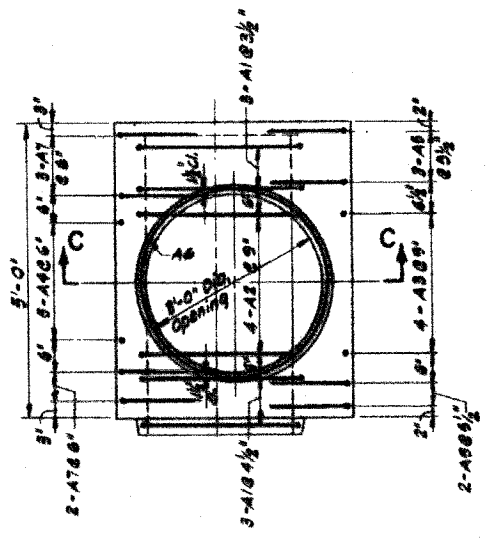


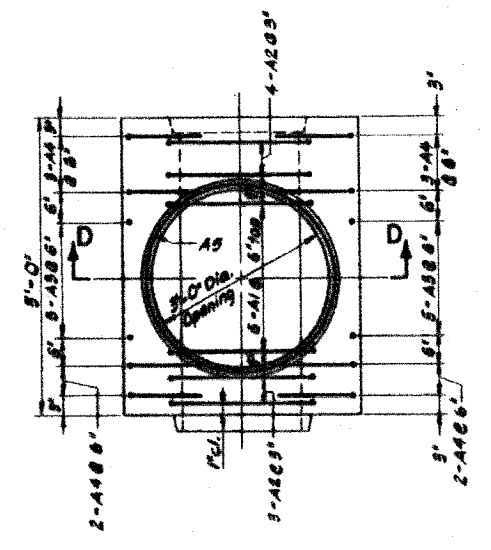
PLAN



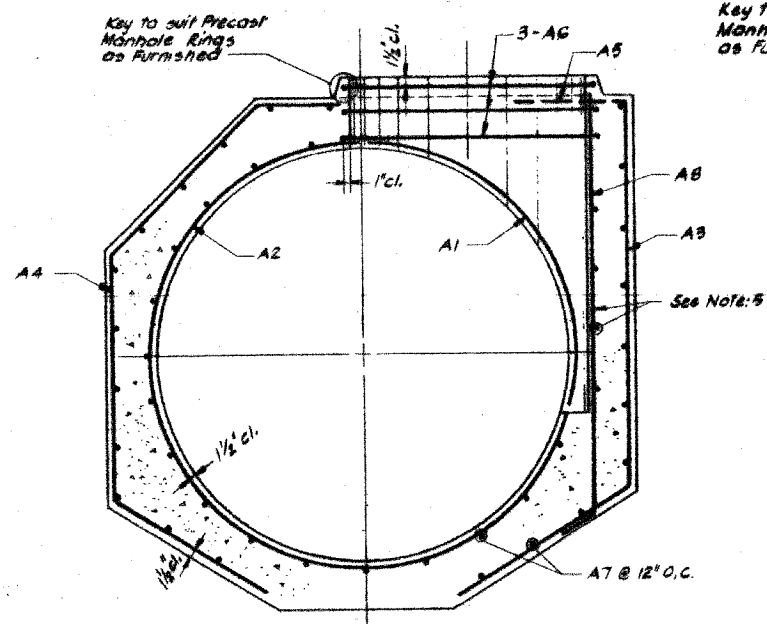
PLAN



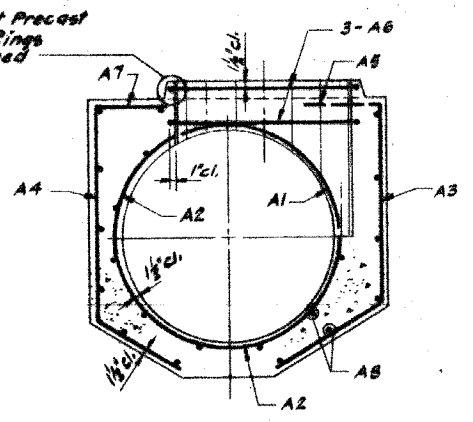
PLAN



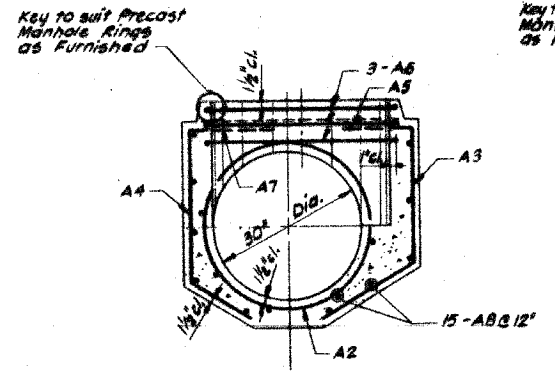
PLAN



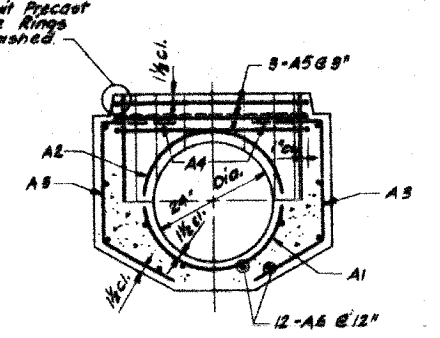
SECTION A-A  
MANHOLE BASE FOR SEWERS  
48" DIA. TO 120" DIA. INCLUSIVE



SECTION B-B  
MANHOLE BASE FOR SEWERS  
36" DIA. AND 42" DIA.



SECTION C-C  
MANHOLE BASE  
FOR 30" DIA. SEWERS



SECTION D-D  
MANHOLE BASE  
FOR 24" DIA. SEWERS

- NOTE:
1. For Additional Details of Manholes See Sheet No. ...
  2. For Structural Notes See Sheet No. ...
  3. For Bar List See Sheet No. ...
  4. For Manhole Bases Required For This Contract See Sheet No. ...
  5. The Layers of Reinforcement For 66" Dia. Manhole and over.

DATE	DESCRIPTION
9/26/01	PRELIMINARY PLAN
	APPROVED PLAN

CITY OF CHICAGO  
DEPARTMENT OF WATER MANAGEMENT  
BUREAU OF ENGINEERING SERVICES

REINFORCEMENT FOR TYPE "A"  
PRECAST MANHOLE BASES

SCALE: 3/4" = 1'-0"  
CONTRACT SHEET NO.

DRAWN BY: B. Merkonsta  
DESIGNED BY: N.S.  
CHECKED BY: A.A.

NOTE: THESE DRAWINGS ARE FOR INFORMATIONAL PURPOSES ONLY. ALL REFERENCES TO PAY ITEMS OR PAY LIMITS SHOULD BE IGNORED. SEE SPECIAL PROVISIONS FOR PAY ITEMS.

TYLIN INTERNATIONAL

REVISIONS	
NAME	DATE
REVISED	04/15/05

ILLINOIS DEPARTMENT OF TRANSPORTATION  
F.A.I. 94 (DAN RYAN EXPRESSWAY)  
CITY OF CHICAGO  
DEPARTMENT OF WATER MANAGEMENT  
SEWER RELOCATION DETAIL  
(SHEET 4 OF 9)  
SCALE: NONE  
DATE: MARCH 18, 2005  
DRAWN BY: MB  
CHECKED BY: MPG