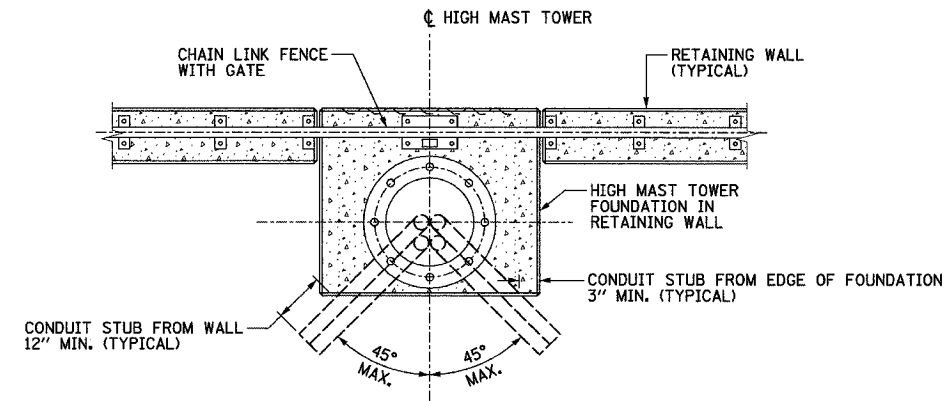
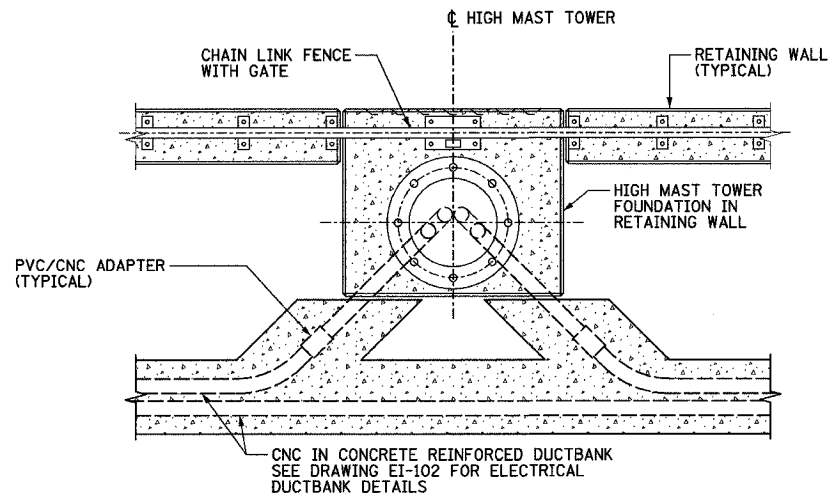


F.A.I. RTE.	SECTION	COUNTY	TOTAL SHEETS	SHEET NO.
94	*	COOK	860	342
STA.	---	TO STA.	---	---
FED. ROAD DIST. NO. 1 ILLINOIS FED. AID PROJECT				62694
* (1516, 1, 1717 & 1818) R-8				

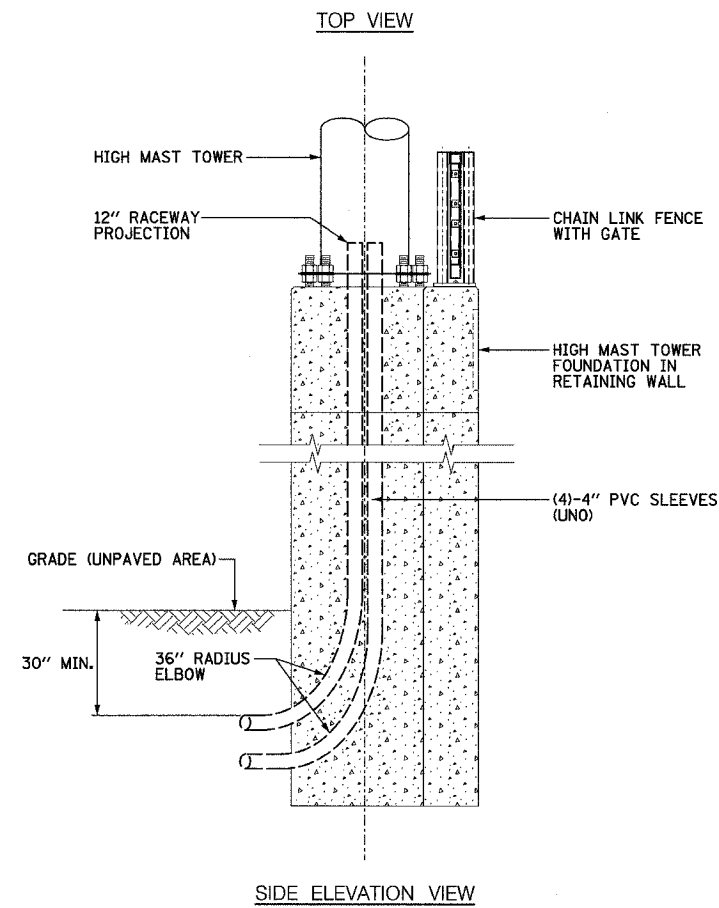


CONDUIT STUB FROM WALL 12" MIN. (TYPICAL)

45° MAX. 45° MAX.

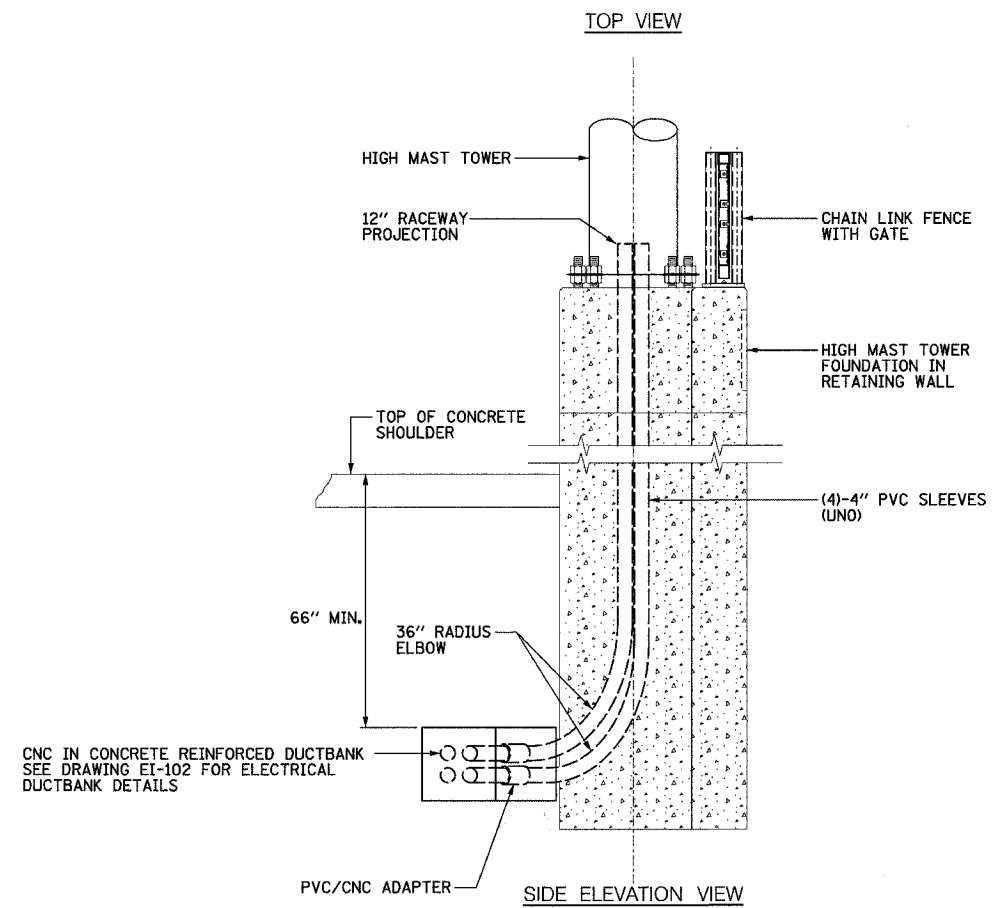


- NOTES:**
1. SEE DRAWINGS EI-100 AND EI-101 FOR ELECTRICAL SYMBOLS AND ABBREVIATIONS.
  2. SEE PLAN DRAWINGS FOR HIGH MAST LIGHT TOWER FOUNDATION LOCATIONS.



SIDE ELEVATION VIEW

TYPICAL CONDUIT INSTALLATION DETAIL FOR INSTALLING CONDUIT SLEEVES IN FOUNDATION IN RETAINING WALL NOT TO SCALE



SIDE ELEVATION VIEW

TYPICAL CONDUIT INSTALLATION DETAIL FOR INSTALLING CONCRETE DUCTBANK TO FOUNDATION IN RETAINING WALL NOT TO SCALE



REVISIONS	
NAME	DATE

ILLINOIS DEPARTMENT OF TRANSPORTATION  
 F.A.I. 90/94 (DAN RYAN EXPRESSWAY)

CONDUIT INSTALLATION DETAILS FOR LIGHT TOWER FOUNDATIONS MOUNTED ON RETAINING WALLS

SCALE: NOT TO SCALE DRAWN BY: CJM  
 DATE: MARCH 18, 2005 CHECKED BY: BMW

17A/EI-104

J:\75contract\17a\_details\el09\0102.dwg 4/26/01 PJH 3/24/2005