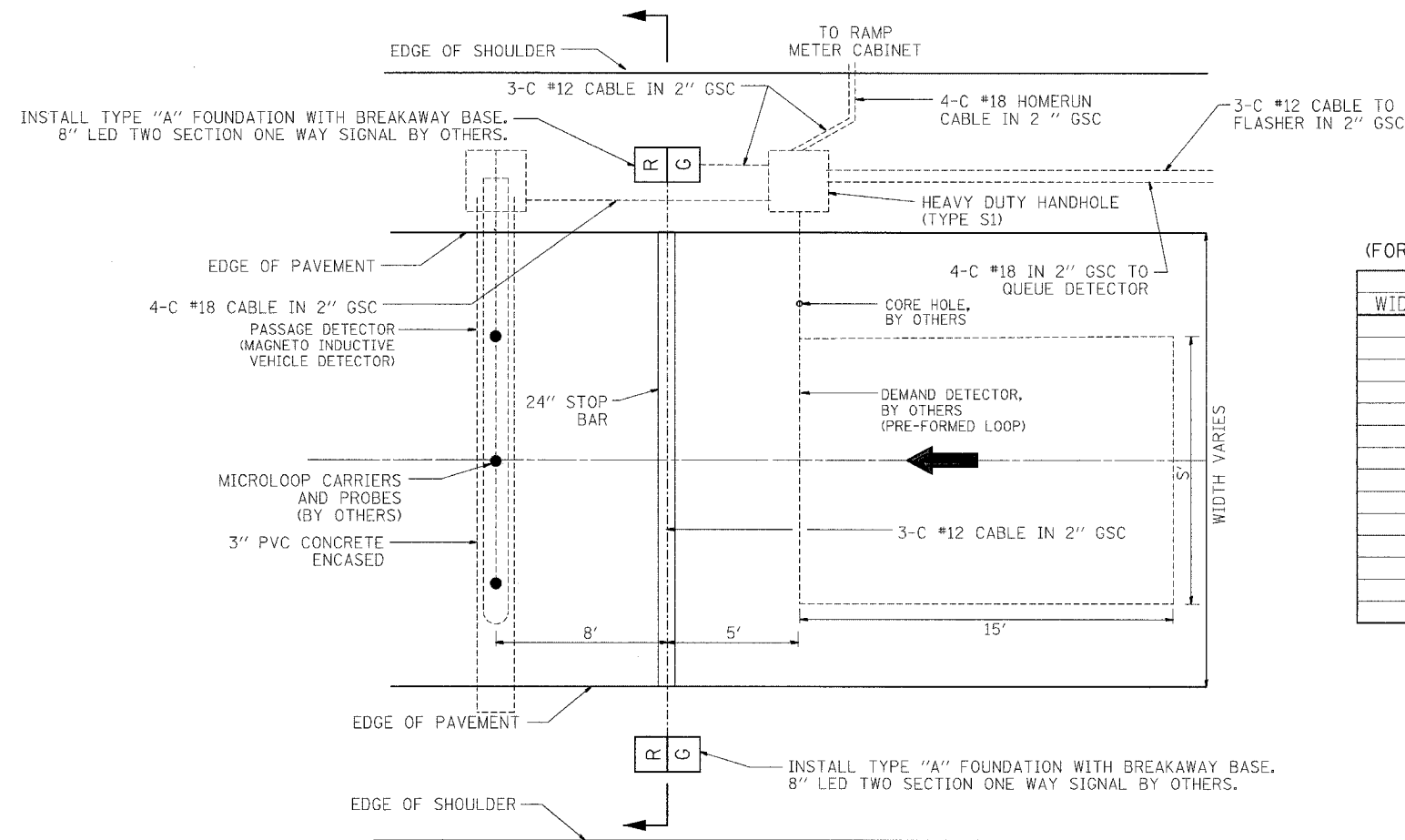


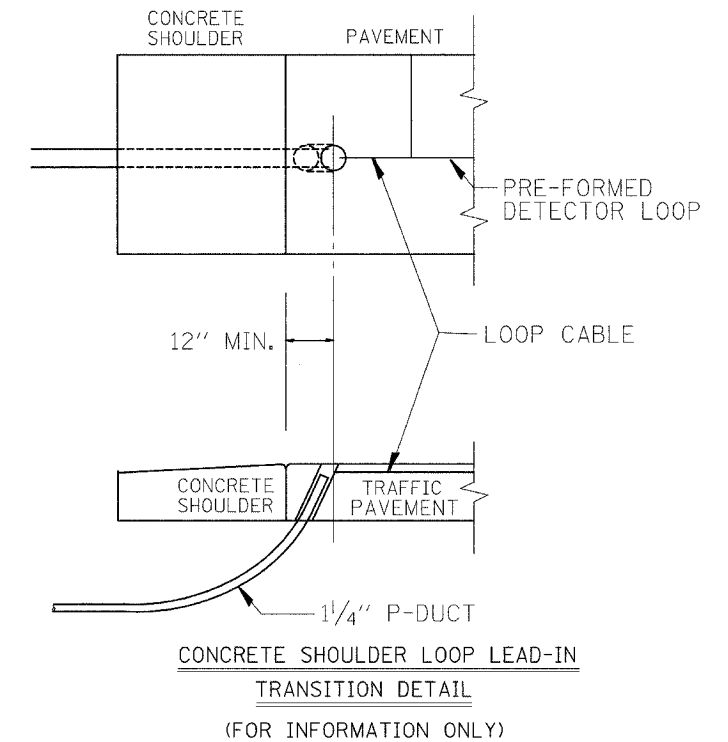
NOTES:

- ALL CABLES SHOWN ON THIS SHEET ARE INSTALLED BY OTHERS.
- CONTRACTOR MUST COORDINATE PLACEMENT AND SIZE OF ANCHOR BOLTS WITH IDOT CONTRACT NUMBER 62583.

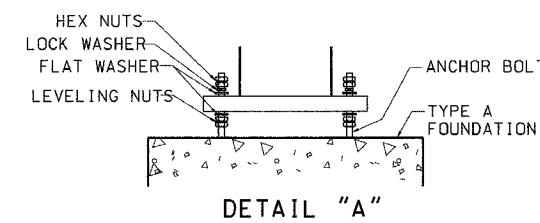
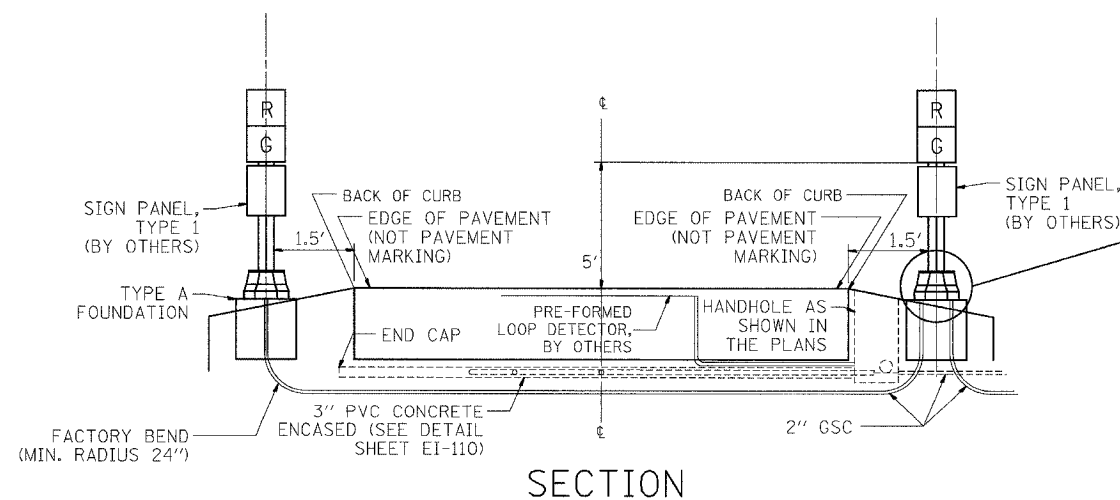


(FOR INFORMATION ONLY)

TABLE 1	
WIDTH (W)	WIDTH (S)
12'	8'
13'	9'
14'	10'
15'	11'
16'	12'
17'	13'
18'	14'
19'	15'
20'	16'
21'	17'
22'	18'
23'	19'
24'	20'
25'	21'



TYPICAL SIGNAL AND LOOP LAYOUT (TYPE I)



TYPICAL BREAKAWAY POLE BASE

REVISIONS	
NAME	DATE

17A/EI-113

ILLINOIS DEPARTMENT OF TRANSPORTATION
F.A.I. 90/94 (DAN RYAN EXPRESSWAY)

TYPICAL RAMP METERING INSTALLATION
TYPE I (FOR RAMPS WITHOUT CURBS
AND GUTTERS)

SCALE: NTS
DATE: MARCH 18, 2005

DRAWN BY: NB
CHECKED BY: CTC