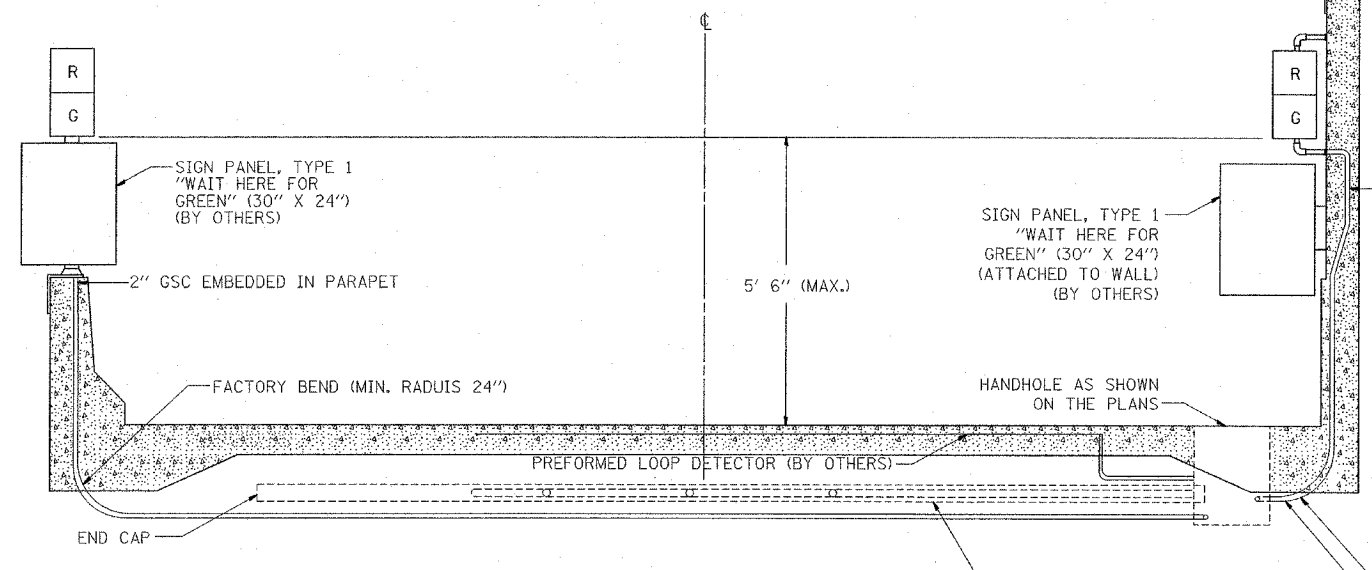
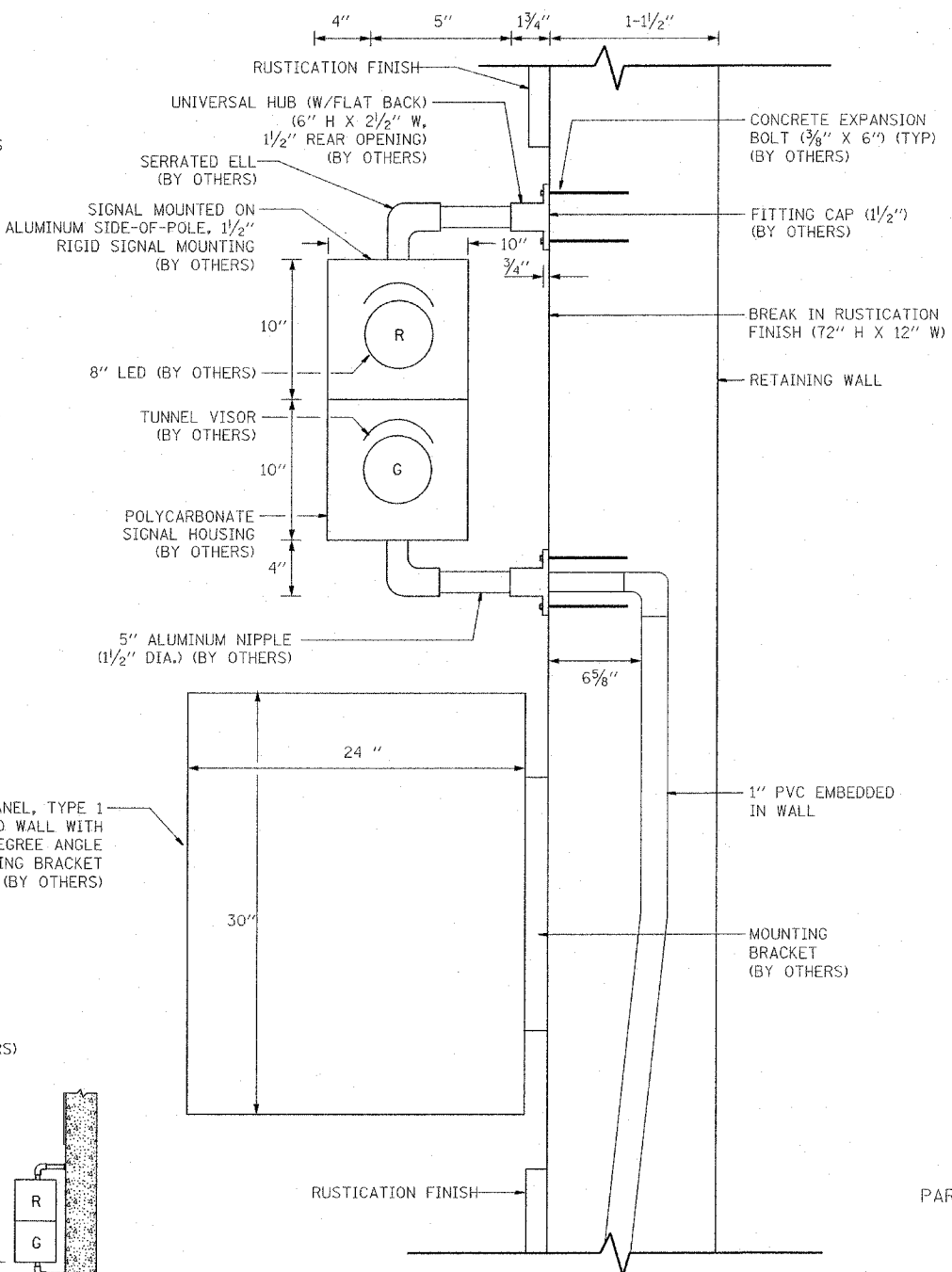


TYPICAL DETECTION LAYOUT

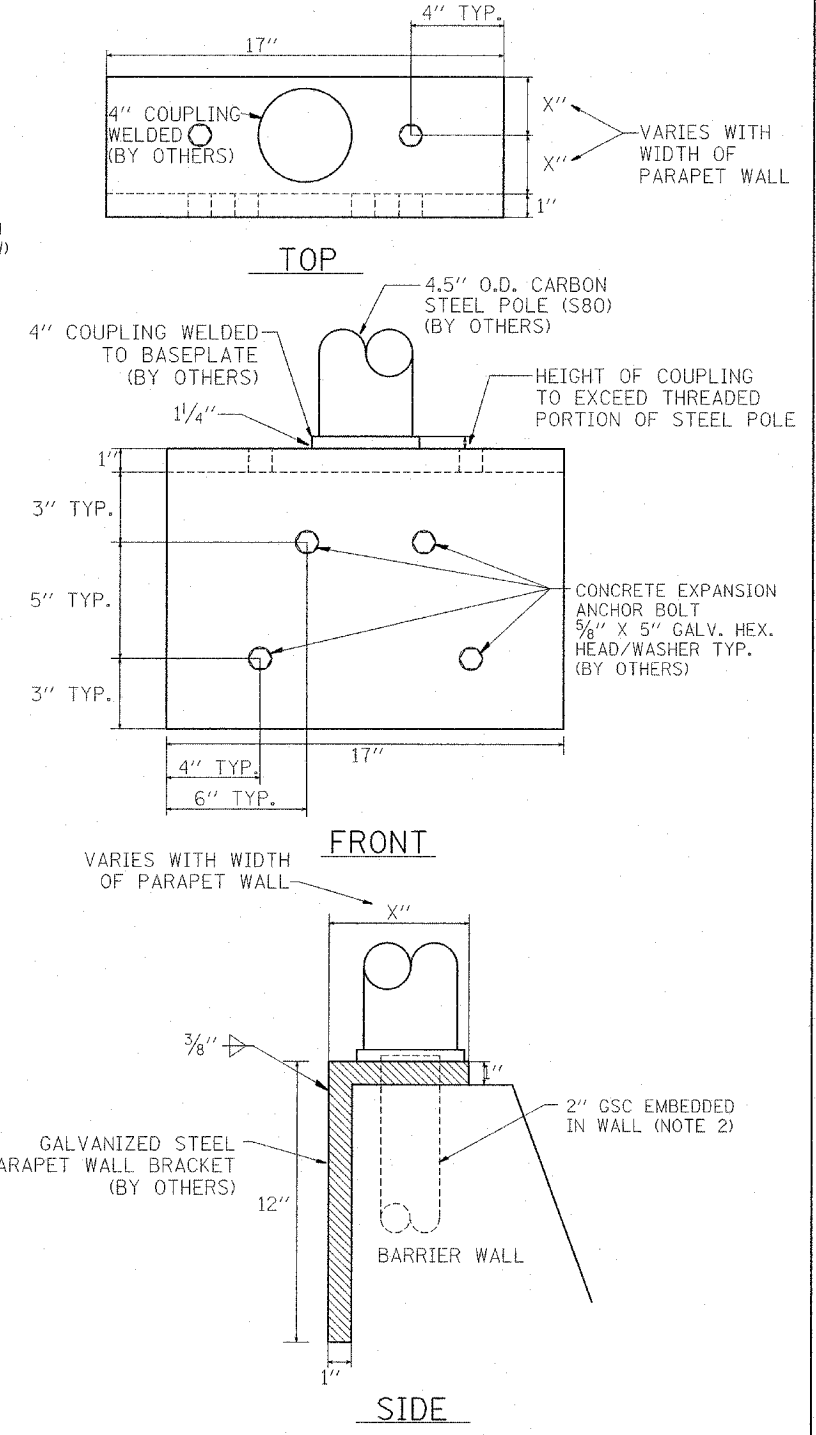


SECTION A-A



SIGNAL & SIGN ATTACHED TO RETAINING WALL

- NOTES:
1. CONDUIT AND HANDHOLE MUST BE FURNISHED AND INSTALLED UNDER THIS CONTRACT. ALL CABLES, PROBES, SIGNALS, SIGNS, AND OTHER EQUIPMENT WILL BE FURNISHED AND INSTALLED BY OTHERS UNDER CONTRACT NUMBER 62583.
 2. CONDUIT MUST BE STUBBED OUT OF CONCRETE A MINIMUM OF 3".
 3. CENTERLINE OF STOP BAR AND TRAFFIC SIGNALS SHALL BE LOCATED AT THE STATION SHOWN ON THE PLANS.



SIGNAL MOUNTED ON PARAPET WALL

REVISIONS		
NAME	DATE	
REVISED	4/15/05	