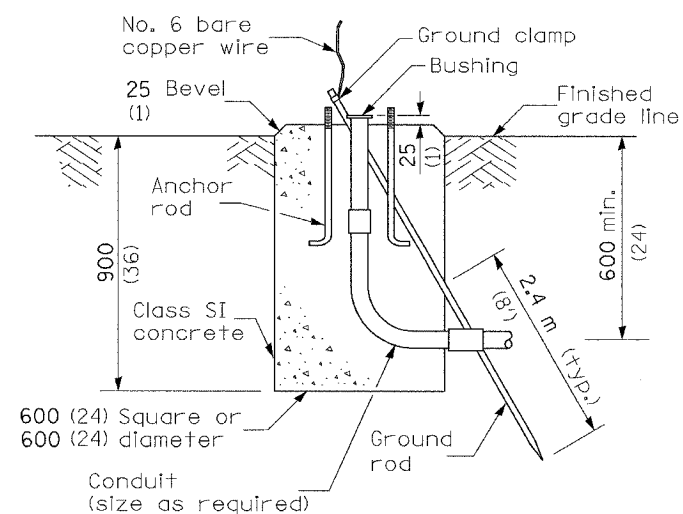
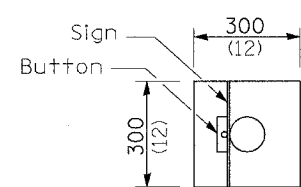


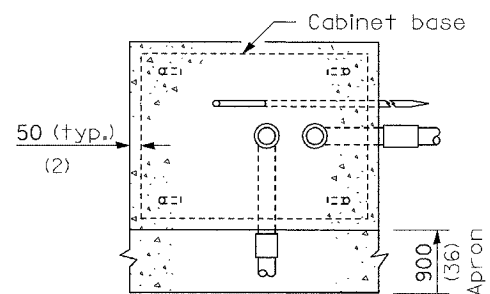
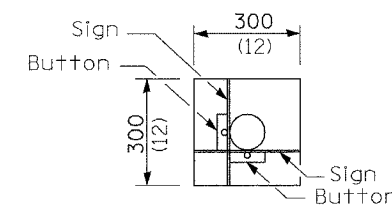
F.A.I. RTE.	SECTION	COUNTY	TOTAL SHEETS	SHEET NO.
94		COOK	86	351
STA.	TO STA.			
FED. ROAD DIST. NO. 1		ILLINOIS	FED. AID PROJECT	
(1516.1, 1717 & 1818) R-8		62694		



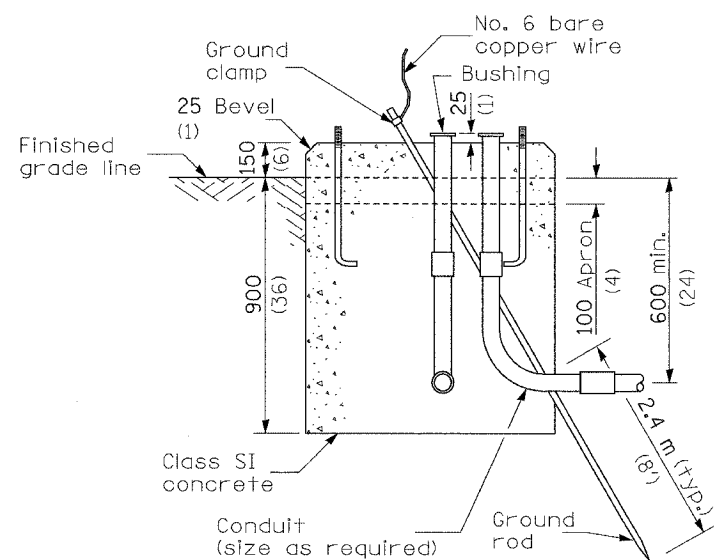
TYPE A



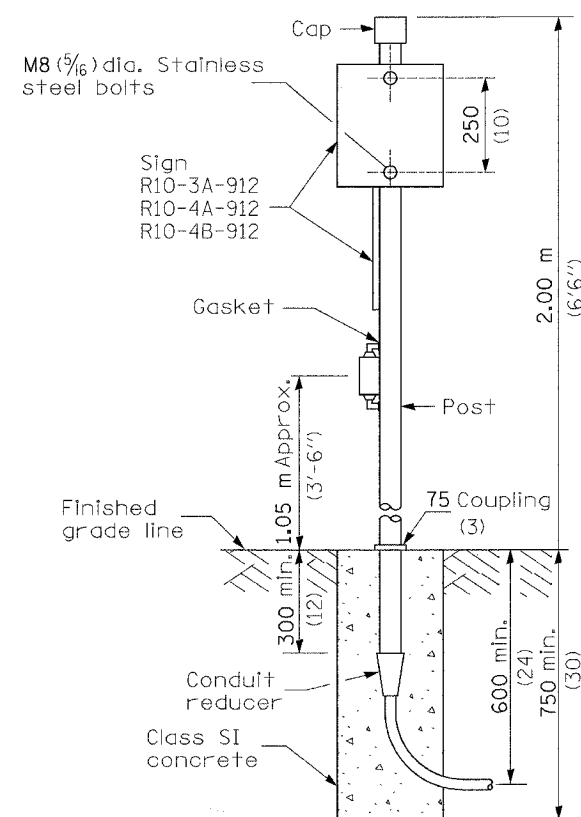
TOP VIEW  
TYPICAL ONE BUTTON INSTALLATION



TOP VIEW



TYPE D  
FOR GROUND MOUNTED  
CONTROLLER CABINET



PEDESTRIAN PUSH BUTTON  
POST INSTALLATION

17A/STANDARD 878001-02  
SHEET 1 OF 2

REVISIONS	
NAME	DATE

ILLINOIS DEPARTMENT OF TRANSPORTATION  
F.A.I. 90/94 (DAN RYAN EXPRESSWAY)

CONCRETE FOUNDATION DETAILS

SCALE:  
DATE: MARCH 18, 2005

DRAWN BY:  
CHECKED BY: