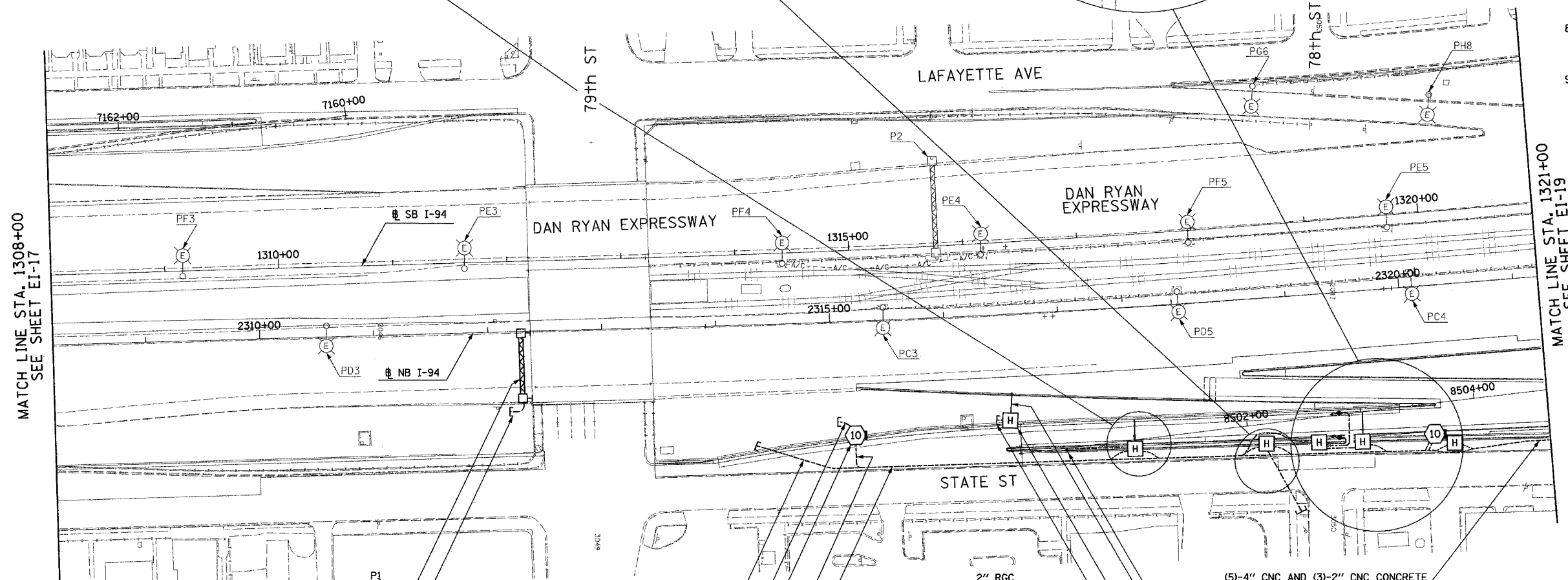
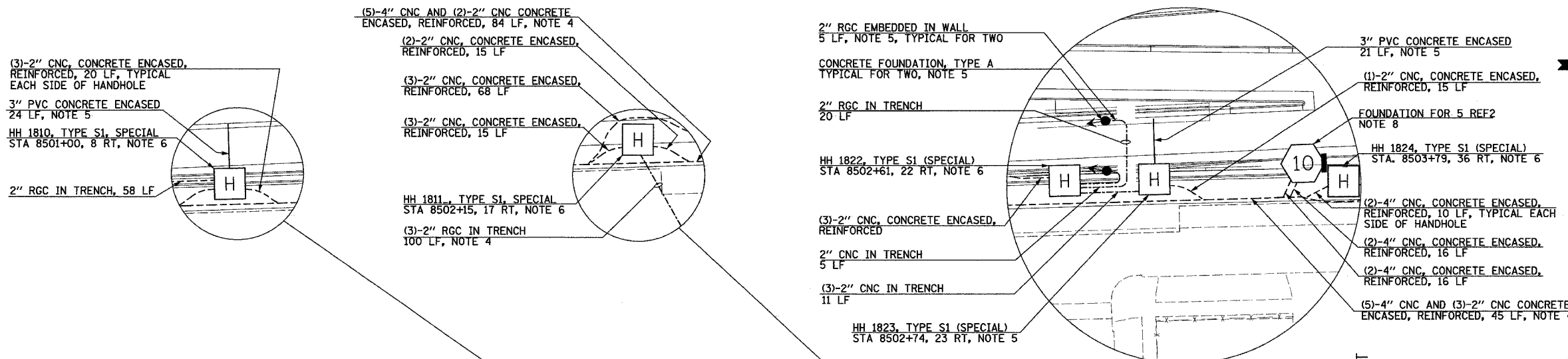


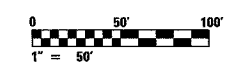
| | | | | |
|-----------------------------|---------|-----------------|------------------|-----------|
| F.A.I. RTE. | SECTION | COUNTY | TOTAL SHEETS | SHEET NO. |
| 90/94 | * | COOK | 860 | 393 |
| STA. 1308+00 | | TO STA. 1321+00 | | |
| FED. ROAD DIST. NO. | | ILLINOIS | FED. AID PROJECT | |
| * (1516.1, 1717 & 1818) R-8 | | 62694 | | |



MATCH LINE STA. 1308+00
SEE SHEET EI-17

MATCH LINE STA. 1321+00
SEE SHEET EI-19

- NOTES:**
- SEE DRAWINGS EI-100 AND EI-101 FOR ELECTRICAL SYMBOLS AND ABBREVIATIONS.
 - COORDINATE ALL WORK WITH IDOT CONTRACTS 62583 AND 62695.
 - UNLESS NOTED OTHERWISE, ALL ITEMS AND WORK SHOWN IN HEAVY LINE WEIGHT ON THIS DRAWING ARE PROPOSED NEW ITEMS AND WORK.
 - REFER TO SHEETS EI-102 AND ME-04 FOR DUCTBANK INSTALLATION DETAILS.
 - REFER TO SHEETS EI-106, EI-110 AND EI-114 FOR RAMP METERING DETAILS.
 - REFER TO SHEETS EI-103, EI-106 AND EI-110 FOR HANDHOLE DETAILS.
 - SIGN STRUCTURE SHALL BE PROVIDED UNDER THIS CONTRACT. SIGN LUMINAIRES, DISCONNECT SWITCH, WIRING AND CONNECTIONS SHALL BE PROVIDED UNDER CONTRACT 62583.
 - REFER TO STRUCTURAL DRAWINGS AND EI-104 FOR CONDUIT INSTALLATION DETAILS FOR LIGHT TOWER FOUNDATIONS MOUNTED ON RETAINING WALLS.
 - REFER TO SHEET EI-112 FOR WOOD SIGN SUPPORT DETAILS.



17A/EI-18

SINGH 300 W. ADAMS ST.
CHICAGO, IL 60606
SINGH & ASSOCIATES, INC. TEL: (312) 629-0240
CONSULTING ENGINEERS FAX: (312) 629-8449

| REVISIONS | |
|-----------|---------|
| NAME | DATE |
| REVISED | 5/06/05 |
| | |
| | |
| | |
| | |
| | |

ILLINOIS DEPARTMENT OF TRANSPORTATION
F.A.I. 90/94 (DAN RYAN EXPRESSWAY)

ELECTRICAL INFRASTRUCTURE PLANS
PROPOSED IMPROVEMENTS

SCALE: 1"=50' DRAWN BY: YK
DATE: MARCH 18, 2005 CHECKED BY: TM

4/27/2005 2:15:23 PM