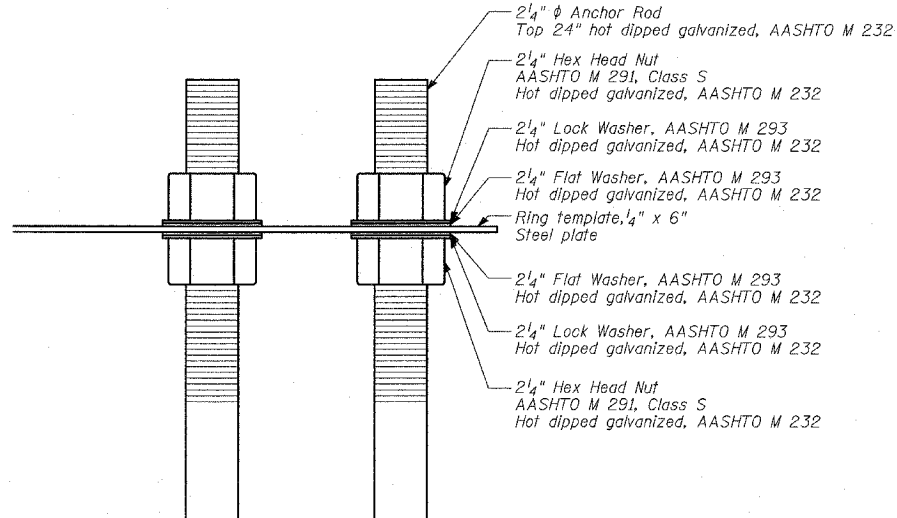
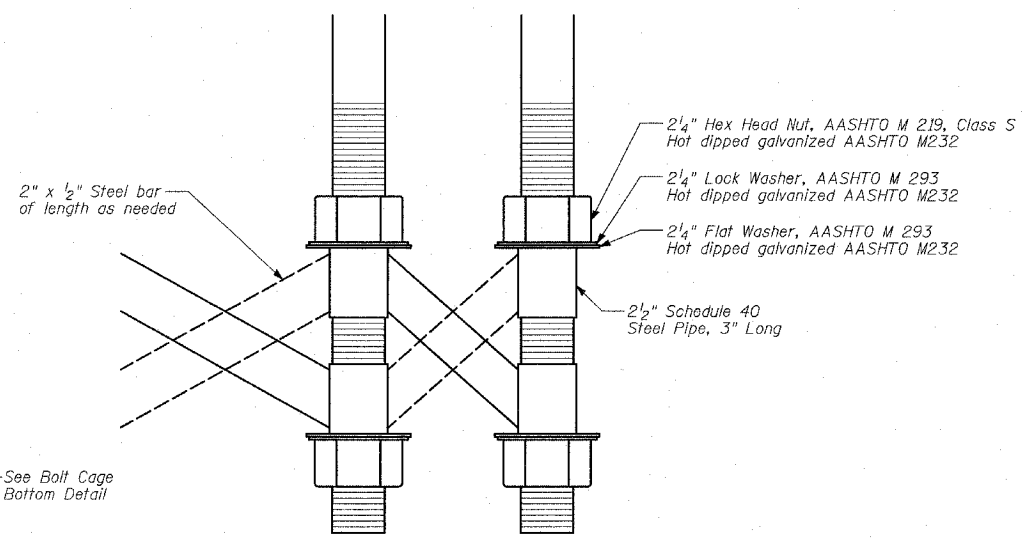


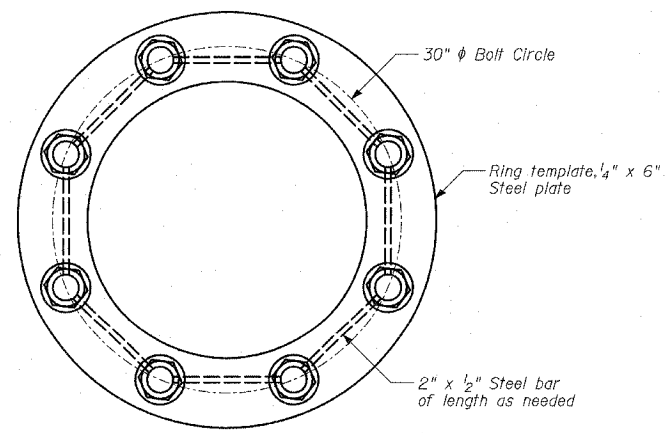
ANCHOR BOLT CAGE



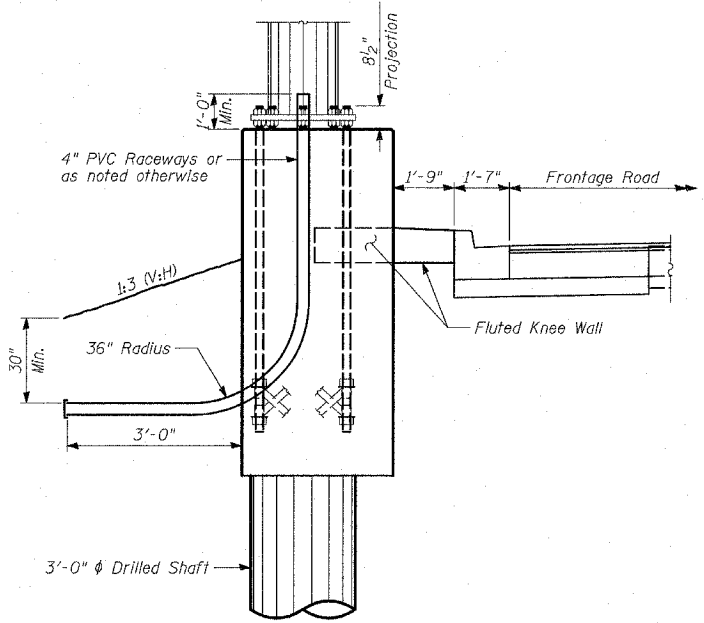
BOLT CAGE TOP



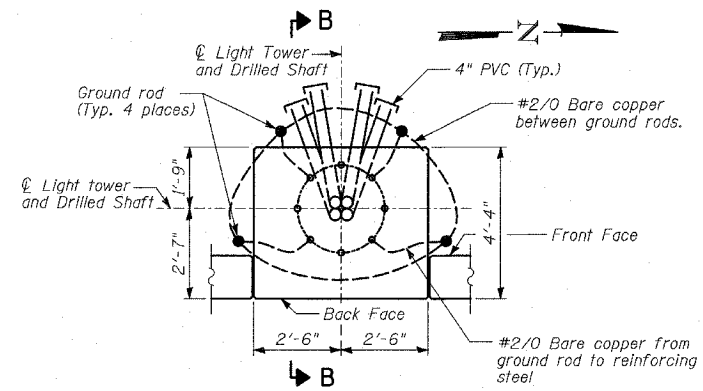
BOLT CAGE BOTTOM



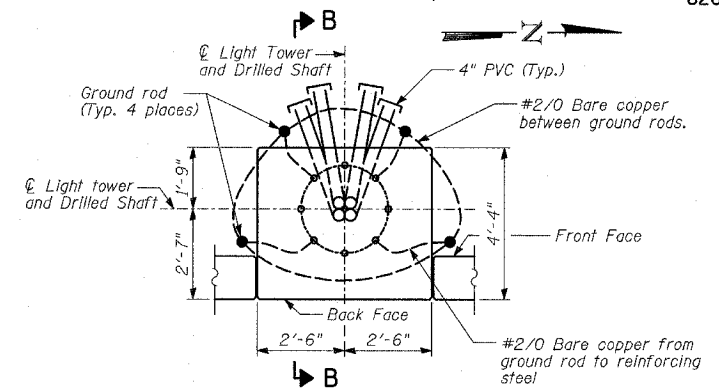
SECTION A-A



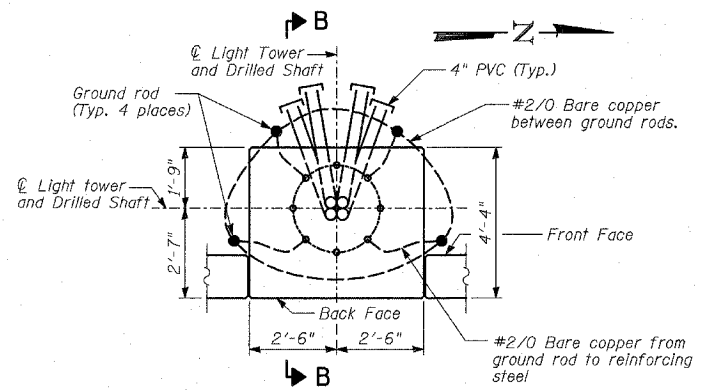
SECTION B-B



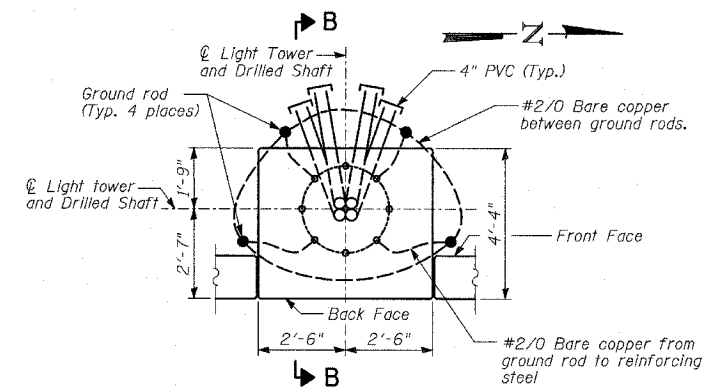
PLAN - 600P2 CONDUIT PLACEMENT



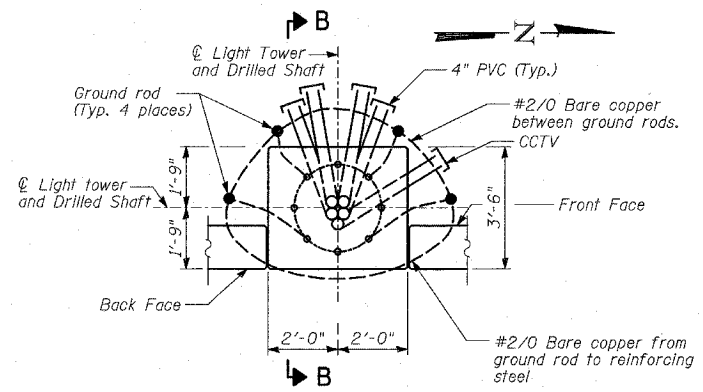
PLAN - 600P3 CONDUIT PLACEMENT



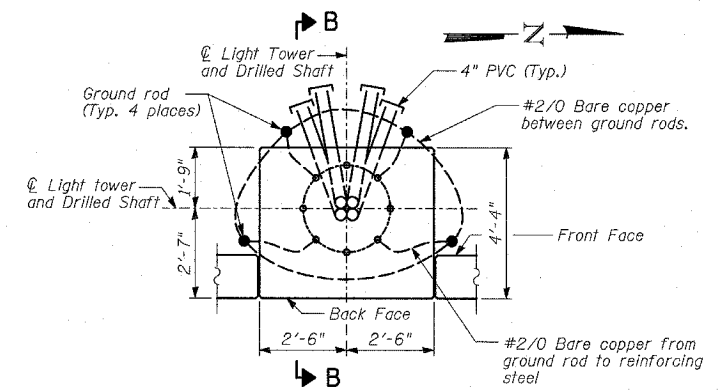
PLAN - 60GH1 CONDUIT PLACEMENT



PLAN - 5PEF4 CONDUIT PLACEMENT



PLAN - 5PEF5 CONDUIT PLACEMENT



PLAN - 6ROP2 CONDUIT PLACEMENT

- NOTES:**
- Anchor rods shall be straight and shall be according to AASHTO M 314 or ASTM F1554, Grade 105 and galvanized according to Article 1006.09.
 - Anchor rod information shall be submitted for approval and shall be fully coordinated with tower manufacturer's requirements.
 - The Anchor Rods shall be vertical. No adjustment shall be allowed after the foundation is placed.
 - The gap between the foundation and the base plate shall be enclosed with a stainless steel screen fastened with a stainless steel band.
 - The Light Tower shall not be erected until after the concrete has been cured according to Article 1020.13.
 - Two anchor rods opposite each other shall have the anchor rod threads peened after nuts are installed.

REVISIONS	
NAME	DATE