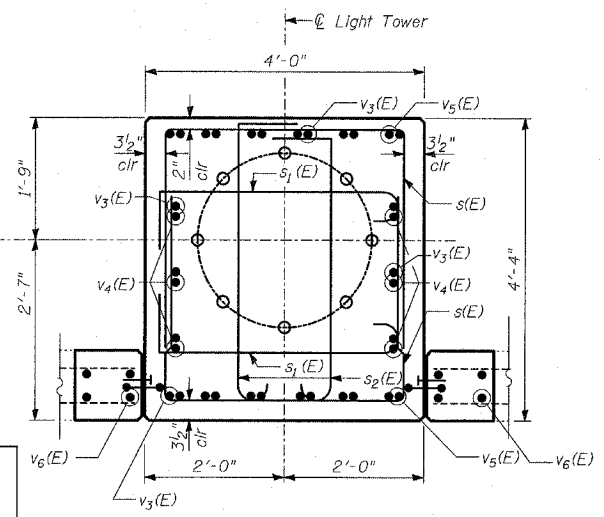
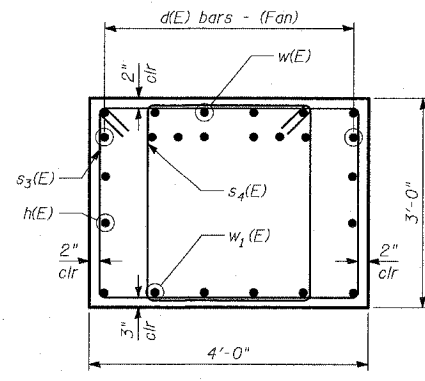


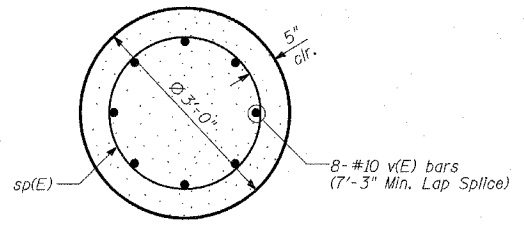
PLAN-LIGHT TOWER



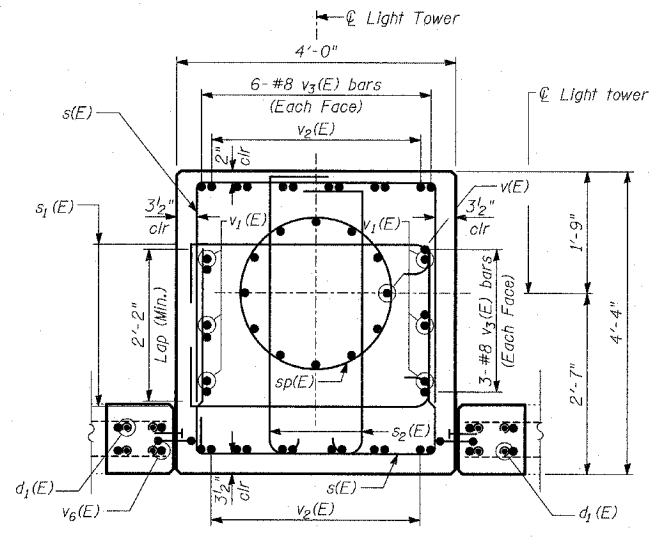
SECTION C-C



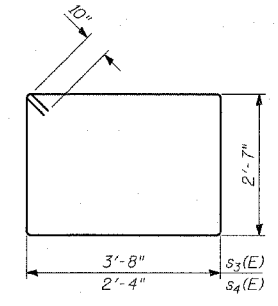
SECTION G-G



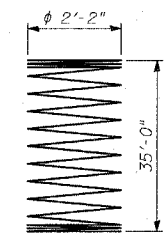
SECTION F-F



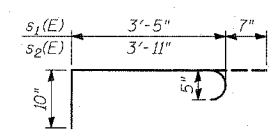
SECTION D-D



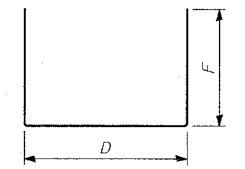
BARS s3(E) & s4(E)



BAR sp(E)



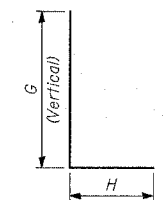
BARS s1(E) & s2(E)



BARS h(E), s(E), v4(E), v5(E), w(E) & w1(E)

MARK TABLE

Bar	D	F
h(E)	16'-11"	1'-4"
s(E)	3'-5"	3'-1"
v4(E)	3'-4"	3'-5"
v5(E)	3'-9"	3'-5"
w(E)	17'-1"	1'-4"
w1(E)	17'-0"	1'-4"



BARS d(E), v1(E) & v2(E)

MARK TABLE

Bar	G	H
d(E)	9'-9"	5'-6"
v1(E)	7'-8"	3'-3"
v2(E)	7'-8"	3'-8"

BILL OF MATERIAL
(Per HMLT Foundation)

Bar	No.	Size	Length	Shape
d(E)	16	#10	15'-3"	┌
d1(E)	8	#5	3'-2"	—
h(E)	4	#8	19'-7"	┌
s(E)	30	#5	9'-7"	┌
s1(E)	26	#5	4'-10"	┌
s2(E)	26	#5	5'-4"	┌
s3(E)	35	#5	14'-2"	┌
s4(E)	35	#5	11'-6"	┌
sp(E)	2	#5	35'-0"	
v(E)	16	#10	33'-0"	┌
v1(E)	6	#8	10'-11"	┌
v2(E)	12	#8	11'-4"	┌
v3(E)	18	#8	12'-3"	┌
v4(E)	3	#7	10'-2"	┌
v5(E)	6	#7	10'-7"	┌
v6(E)	8	#5	8'-0"	┌
w(E)	6	#8	19'-9"	┌
w1(E)	6	#10	19'-8"	┌
Reinforcement Bars, Epoxy Coated		POUND	8,320	
Structure Excavation		CU YD	30	
Concrete Structures		CU YD	17	
Protective Coat		SQ YD	15	
Rustication Finish		SQ FT	8	
Drilled Shaft in Soil 36"		FOOT	67	

Reinforcement bars designated (E) shall be epoxy coated.

NOTES:

- Conduit is not shown for clarity. For location of conduit, see Sheet 4 of 4.
- Minimum lap for spirals = 2'-6"

REVISIONS

NAME	DATE