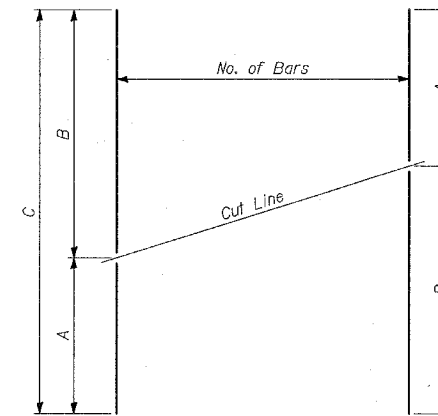


PILE LAYOUT

Pile	Station at Working Point	Top of Wall El.	Top of Pile El.	Bot. of Wall El.	Section	Pile Tip El.	Pile Length
P-1	2220+75.39	5.71	3.71	0.45	W21x147	-29.63	33'-4"
P-2	2220+68.14	6.51	4.51	0.41		-29.66	34'-2"
P-3	2220+60.89	7.31	5.31	0.37		-29.69	35'-0"
P-4	2220+53.64	8.12	6.12	0.32		-29.72	35'-10"
P-5	2220+46.39	8.92	6.92	0.28		-29.75	36'-8"
P-6	2220+39.14	9.72	7.72	0.24	W21x147	-29.78	37'-6"
P-7	2220+31.89	10.53	8.53	0.19	W27x194	-29.89	38'-5"
P-8	2220+23.39	11.47	9.47	0.14	Built-up	-35.86	45'-4"
P-9	2220+06.39	11.95	9.95	0.04	Built-up	-35.97	45'-11"
P-10	2219+97.89	11.91	9.91	-0.01	W27x194	-30.09	40'-0"
P-11	2219+91.39	11.88	9.88	-0.05	W24x176	-30.12	40'-0"
P-12	2219+85.67	11.86	9.86	-0.08		-30.14	40'-0"
P-13	2219+79.67	11.83	9.83	-0.10		-30.17	40'-0"
P-14	2219+73.68	11.81	9.81	-0.12		-30.19	40'-0"
P-15	2219+67.68	11.78	9.78	-0.14		-30.22	40'-0"
P-16	2219+61.68	11.76	9.76	-0.17		-30.24	40'-0"
P-17	2219+55.69	11.73	9.73	-0.19		-30.27	40'-0"
P-18	2219+49.69	11.71	9.71	-0.21		-30.29	40'-0"
P-19	2219+43.69	11.68	9.68	-0.23		-30.32	40'-0"
P-20	2219+37.70	11.66	9.66	-0.26		-30.26	39'-11"
P-21	2219+31.70	11.63	9.63	-0.28		-30.28	39'-11"
P-22	2219+25.71	11.61	9.61	-0.28		-30.31	39'-11"
P-23	2219+19.71	11.58	9.58	-0.27		-30.33	39'-11"
P-24	2219+13.71	11.56	9.56	-0.26		-30.27	39'-10"
P-25	2219+07.72	11.53	9.53	-0.25		-30.30	39'-10"
P-26	2219+01.72	11.51	9.51	-0.24		-30.24	39'-9"
P-27	2218+95.72	11.48	9.48	-0.23		-30.27	39'-9"
P-28	2218+89.73	11.46	9.46	-0.21		-30.29	39'-9"
P-29	2218+83.73	11.43	9.43	-0.20		-30.23	39'-8"
P-30	2218+77.74	11.41	9.41	-0.19		-30.26	39'-8"
P-31	2218+71.74	11.38	9.38	-0.18		-30.20	39'-7"
P-32	2218+65.74	11.36	9.36	-0.15		-30.22	39'-7"
P-33	2218+59.75	11.33	9.33	-0.10		-30.17	39'-6"
P-34	2218+53.75	11.31	9.31	-0.05		-30.11	39'-5"
P-35	2218+47.75	11.28	9.28	0.00		-30.05	39'-4"
P-36	2218+41.76	11.26	9.26	0.05		-29.99	39'-3"
P-37	2218+35.76	11.24	9.24	0.10		-29.93	39'-2"
P-38	2218+29.77	11.21	9.21	0.15		-29.87	39'-1"
P-39	2218+23.77	11.19	9.19	0.20		-29.81	39'-0"
P-40	2218+17.77	11.16	9.16	0.25		-29.76	38'-11"
P-41	2218+11.78	11.14	9.14	0.30		-29.70	38'-10"
P-42	2218+05.78	11.11	9.11	0.35		-29.72	38'-10"
P-43	2217+99.78	11.09	9.09	0.40		-29.66	38'-9"
P-44	2217+93.79	11.06	9.06	0.45		-29.61	38'-8"
P-45	2217+87.79	11.04	9.04	0.50		-29.55	38'-7"
P-46	2217+81.79	11.01	9.01	0.55		-29.49	38'-6"
P-47	2217+75.80	11.05	9.05	0.62		-29.45	38'-6"
P-48	2217+69.80	11.16	9.16	0.73		-29.34	38'-6"
P-49	2217+63.81	11.27	9.27	0.84		-29.23	38'-6"
P-50	2217+57.81	11.38	9.38	0.95		-29.12	38'-6"
P-51	2217+51.82	11.50	9.50	1.06		-29.00	38'-6"
P-52	2217+45.82	11.61	9.61	1.17		-28.89	38'-6"
P-53	2217+39.82	11.72	9.72	1.27		-28.78	38'-6"
P-54	2217+33.83	11.83	9.83	1.38		-28.67	38'-6"
P-55	2217+27.83	11.95	9.95	1.49		-28.55	38'-6"
P-56	2217+21.84	12.06	10.06	1.60		-28.44	38'-6"
P-57	2217+15.84	12.17	10.17	1.71		-28.33	38'-6"
P-58	2216+98.85	12.28	10.28	1.82		-28.22	38'-6"
P-59	2216+92.85	12.40	10.40	1.92		-28.10	38'-6"
P-60	2216+86.86	12.49	10.49	2.04		-28.01	38'-6"
P-61	2216+80.86	12.61	10.61	2.21		-27.81	38'-5"
P-62	2216+74.86	12.72	10.72	2.37		-27.70	38'-5"
P-63	2216+68.87	12.83	10.83	2.54		-27.50	38'-4"
P-64	2216+62.87	12.94	10.94	2.70		-27.31	38'-3"
P-65	2216+56.88	13.06	11.06	2.87	W24x176	-27.19	38'-3"

PILE LAYOUT

Pile	Station at Working Point	Top of Wall El.	Top of Pile El.	Bot. of Wall El.	Section	Pile Tip El.	Pile Length
P-66	2216+43.88	13.17	11.17	3.03	W24x176	-27.00	38'-2"
P-67	2216+36.89	13.28	11.28	3.19		-26.89	38'-2"
P-68	2216+29.89	13.39	11.39	3.36		-26.69	38'-1"
P-69	2216+22.89	13.51	11.51	3.52		-26.49	38'-0"
P-70	2216+15.90	13.62	11.62	3.69		-26.38	38'-0"
P-71	2216+08.90	13.73	11.73	3.85		-26.18	37'-11"
P-72	2216+01.91	13.84	11.84	4.02		-25.99	37'-10"
P-73	2215+95.91	13.94	11.94	4.18		-27.89	39'-10"
P-74	2215+88.92	14.05	12.05	4.40		-27.61	39'-8"
P-75	2215+81.92	14.17	12.17	4.62		-27.42	39'-7"
P-76	2215+74.92	14.28	12.28	4.84		-27.22	39'-6"
P-77	2215+67.93	14.39	12.39	5.02		-27.03	39'-5"
P-78	2215+60.93	14.50	12.50	5.27		-26.75	39'-3"
P-79	2215+53.94	14.62	12.62	5.49		-26.55	39'-2"
P-80	2215+46.94	14.73	12.73	5.71		-26.35	39'-1"
P-81	2215+39.95	14.84	12.84	5.93		-26.08	38'-11"
P-82	2215+32.95	14.95	12.95	6.14		-25.88	38'-10"
P-83	2215+25.95	15.07	13.07	6.36		-25.68	38'-9"
P-84	2215+18.96	15.18	13.18	6.58		-25.49	38'-8"
P-85	2215+11.96	15.29	13.29	6.80		-25.21	38'-6"
P-86	2215+05.22	15.41	13.41	7.03		-26.01	39'-5"
P-87	2214+97.72	15.54	13.54	7.30		-25.71	39'-3"
P-88	2214+90.23	15.68	13.68	7.57		-25.49	39'-2"
P-89	2214+82.73	15.81	13.81	7.84		-25.19	39'-0"
P-90	2214+75.24	15.95	13.95	8.12		-24.88	38'-10"
P-91	2214+67.74	16.08	14.08	8.39		-24.67	38'-9"
P-92	2214+60.25	16.22	14.22	8.66		-24.36	38'-7"
P-93	2214+52.75	16.36	14.36	8.93		-24.14	38'-6"
P-94	2214+45.26	16.49	14.49	9.21		-23.84	38'-4"
P-95	2214+37.76	16.63	14.63	9.48		-23.54	38'-2"
P-96	2214+30.26	16.76	14.76	9.75		-23.32	38'-1"
P-97	2214+22.77	16.90	14.90	10.02	W24x176	-23.02	37'-11"
P-98	2214+15.27	17.03	15.03	10.30	W21x147	-22.72	37'-9"
P-99	2214+07.78	17.17	15.17	10.57		-22.50	37'-8"
P-100	2214+00.28	17.30	15.30	10.84		-22.20	37'-6"
P-101	2213+92.79	17.44	15.44	11.11		-21.90	37'-4"
P-102	2213+85.29	17.57	15.57	11.39		-21.68	37'-3"
P-103	2213+77.80	17.71	15.71	11.66		-21.37	37'-1"
P-104	2213+70.30	17.84	15.84	11.93		-21.07	36'-11"
P-105	2213+62.81	17.98	15.98	12.20	W21x147	-20.85	36'-10"



SERIES OF BAR CUTTING DIAGRAM

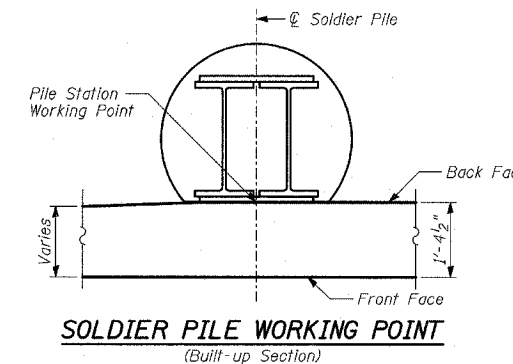
See table for dimensions. Make all cuts normal to bar axis

Bar	No. of Sets Req'd	No. of Bars Per Set	A	B	C
v(E)	1	31	4'-7"	8'-1"	12'-8"
v ₁ (E)	1	31	8'-1"	11'-7"	19'-8"
v ₂ (E)	1	31	11'-3"	10'-11"	22'-2"
v ₃ (E)	1	31	10'-11"	10'-6"	21'-5"
v ₄ (E)	1	31	10'-6"	10'-2"	20'-8"
v ₅ (E)	1	31	10'-0"	9'-9"	19'-9"
v ₆ (E)	1	31	9'-9"	9'-6"	19'-3"
v ₇ (E)	1	31	9'-6"	9'-1"	18'-7"
v ₈ (E)	1	31	9'-1"	8'-7"	17'-8"
v ₉ (E)	1	31	8'-7"	8'-2"	16'-9"
v ₁₀ (E)	1	31	8'-2"	7'-7"	15'-9"
v ₁₁ (E)	1	31	7'-7"	7'-1"	14'-8"
v ₁₂ (E)	1	31	7'-1"	6'-6"	13'-7"
v ₁₃ (E)	1	31	6'-6"	6'-0"	12'-6"
v ₁₄ (E)	1	31	6'-0"	5'-5"	11'-5"

BILL OF MATERIAL

Bar	No.	Size	Length	Shape
h ₁ (E)	302	#5	32'-2"	—
h ₂ (E)	170	#5	29'-8"	—
h ₃ (E)	24	#7	35'-1"	—
h ₄ (E)	24	#7	27'-10"	—
h ₅ (E)	12	#5	25'-0"	—
h ₆ (E)	24	#7	21'-4"	—
h ₇ (E)	12	#5	17'-7"	—
v(E)	31	#4	12'-8"	—
v ₁ (E)	31	#4	19'-8"	—
v ₂ (E)	62	#4	11'-8"	—
v ₃ (E)	124	#4	11'-8"	—
v ₄ (E)	62	#4	11'-6"	—
v ₅ (E)	62	#4	11'-4"	—
v ₆ (E)	31	#4	22'-2"	—
v ₇ (E)	31	#4	21'-5"	—
v ₈ (E)	31	#4	20'-8"	—
v ₉ (E)	186	#4	10'-2"	—
v ₁₀ (E)	62	#4	10'-1"	—
v ₁₁ (E)	31	#4	19'-9"	—
v ₁₂ (E)	31	#4	19'-3"	—
v ₁₃ (E)	31	#4	18'-7"	—
v ₁₄ (E)	31	#4	17'-8"	—
v ₁₅ (E)	31	#4	16'-9"	—
v ₁₆ (E)	31	#4	15'-9"	—
v ₁₇ (E)	31	#4	14'-8"	—
v ₁₈ (E)	31	#4	13'-7"	—
v ₁₉ (E)	31	#4	12'-6"	—
v ₂₀ (E)	31	#4	11'-5"	—
Reinforcement Bars, Epoxy Coated		POUND	29,450	
Concrete Structures		CU YD	292	
Protective Coat		SQ YD	749	
Furnishing and Erecting Structural Steel		POUND	4,570	
Furnishing Soldier Piles (Built-up Section)		FOOT	92	
Furnishing Soldier Piles (W Section)		FOOT	3,983	
Drilling and Setting Soldier Piles (in Rock)		CU FT	116	
Drilling and Setting Soldier Piles (in Soil)		CU FT	27,643	

Reinforcement bars designated (E) shall be epoxy coated.



SOLDIER PILE WORKING POINT
(Built-up Section)

