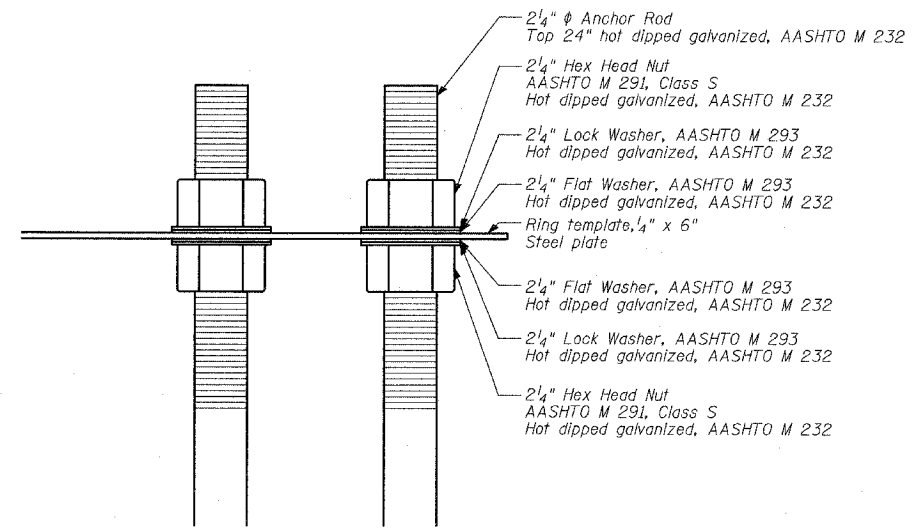
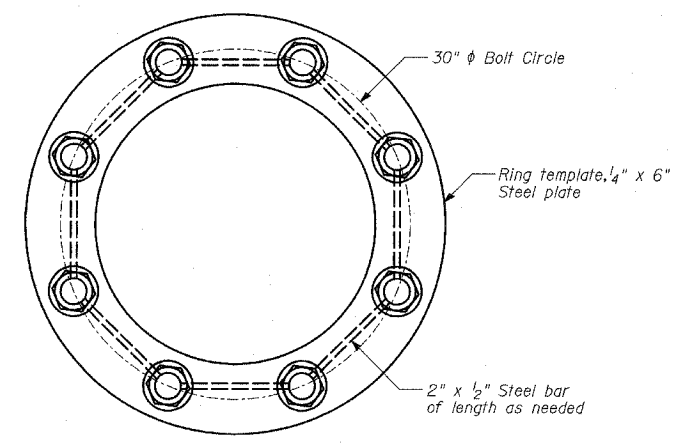


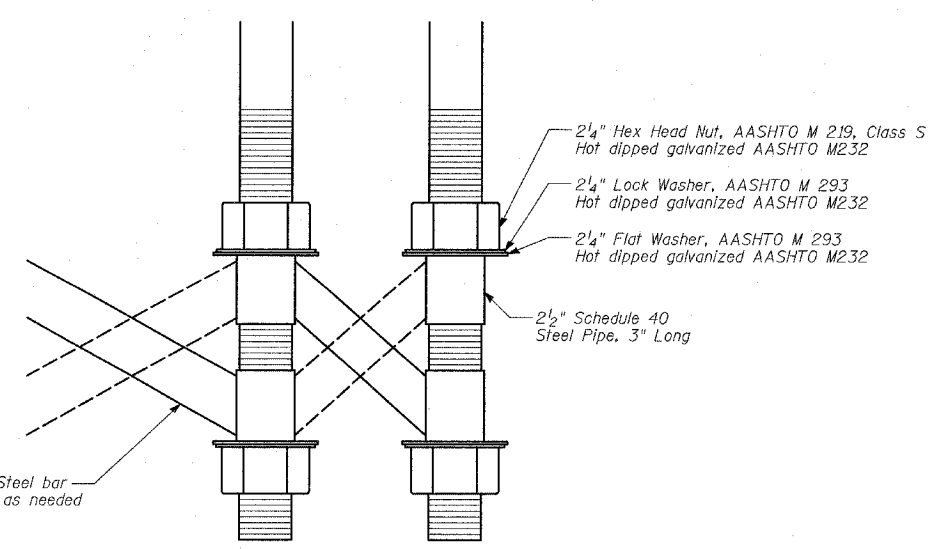
ANCHOR BOLT CAGE



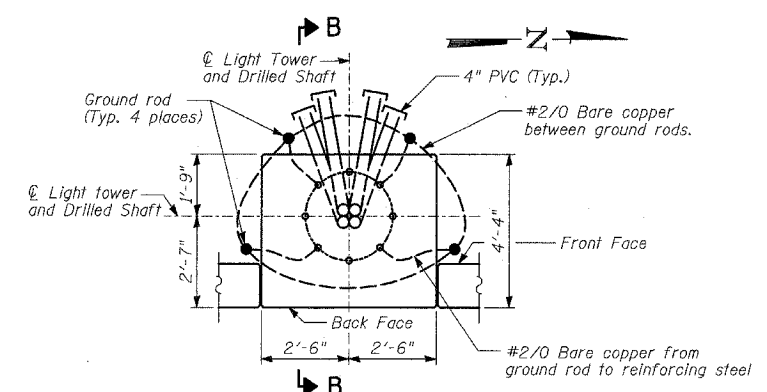
BOLT CAGE TOP



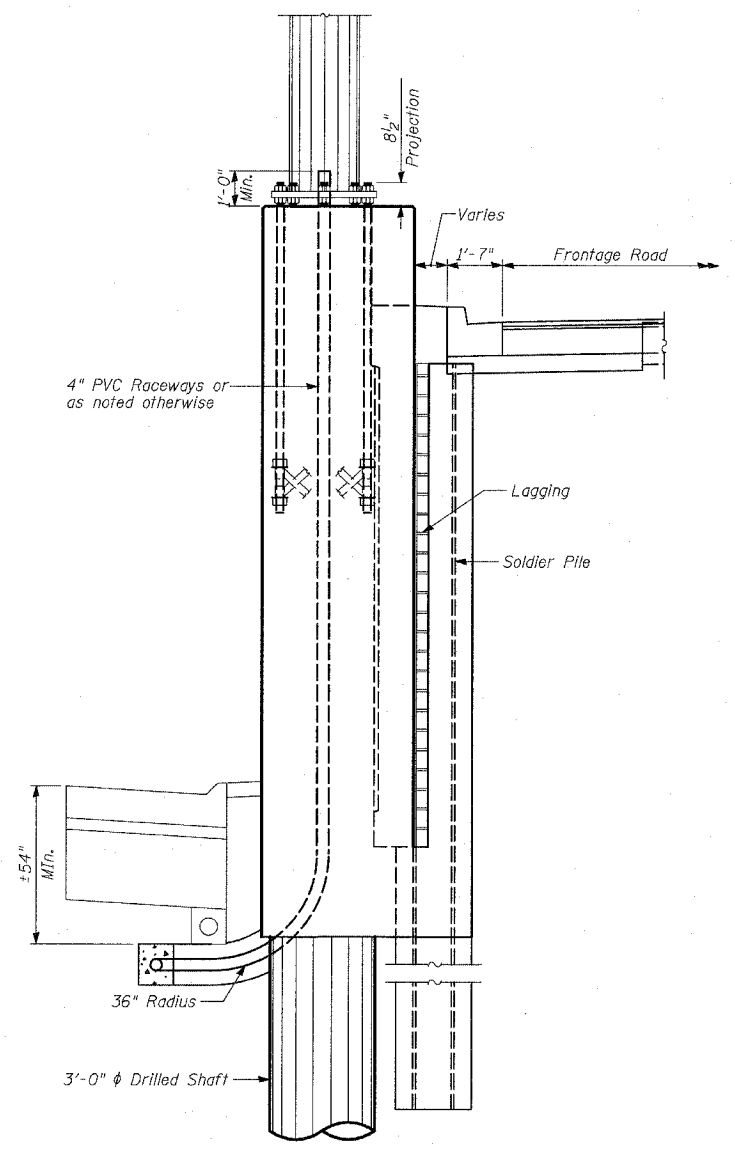
SECTION A-A



BOLT CAGE BOTTOM



PLAN - 600P4 CONDUIT PLACEMENT



SECTION B-B

NOTES:

- Anchor rods shall be straight and shall be according to AASHTO M 314 or ASTM F1554, Grade 105 and galvanized according to Article 1006.09.
- Anchor rod information shall be submitted for approval and shall be fully coordinated with tower manufacturer's requirements.
- The Anchor Rods shall be vertical. No adjustment shall be allowed after the foundation is placed.
- The gap between the foundation and the base plate shall be enclosed with a stainless steel screen fastened with a stainless steel band.
- The Light Tower shall not be erected until after the concrete has been cured according to Article 1020.13.
- Two anchor rods opposite each other shall have the anchor rod threads peened after nuts are installed.
- Refer to BE501 for details.

REVISIONS	
NAME	DATE