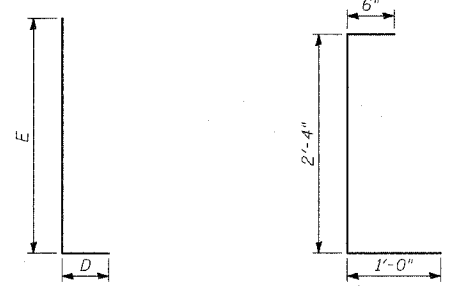


PILE LAYOUT

Pile	Station at Working Point	Top of Parapet El.	Top of Pile El.	Bot. of Wall El.	Section	Pile Tip El.	Pile Length
P-1	2266+91.05	5.89	1.72	-0.81	HP14x117	-22.86	24'-7"
P-2	2266+83.56	6.05	1.88	-0.71		-22.79	24'-8"
P-3	2266+76.07	6.20	2.04	-0.62		-22.63	24'-8"
P-4	2266+68.58	6.36	2.19	-0.52		-22.56	24'-9"
P-5	2266+61.09	6.52	2.35	-0.43		-22.48	24'-10"
P-6	2266+53.60	6.67	2.51	-0.33		-22.41	24'-11"
P-7	2266+46.12	6.83	2.66	-0.23		-22.25	24'-11"
P-8	2266+38.63	6.99	2.82	-0.14	HP14x117	-22.18	25'-0"
P-9	2266+31.32	7.16	2.99	-0.07	W18x130	-25.09	28'-1"
P-10	2266+23.83	7.36	3.19	-0.03	W18x130	-25.06	28'-3"
P-11	2266+18.59	7.49	3.33	-0.01	W21x132	-27.09	30'-5"
P-12	2266+04.61	7.86	3.69	0.06	W21x132	-26.97	30'-8"
P-13	2265+99.37	8.00	3.83	0.09	W18x130	-24.92	28'-9"
P-14	2265+91.88	8.20	4.03	0.13		-24.89	28'-11"
P-15	2265+84.39	8.39	4.23	0.17		-24.86	29'-1"
P-16	2265+76.90	8.59	4.42	0.20		-24.83	29'-3"
P-17	2265+69.41	8.79	4.62	0.24		-24.80	29'-5"
P-18	2265+61.92	8.98	4.82	0.28		-24.77	29'-7"
P-19	2265+54.43	9.18	5.01	0.32		-24.74	29'-9"
P-20	2265+46.94	9.38	5.21	0.36		-24.71	29'-11"
P-21	2265+41.27	9.53	5.36	0.39		-26.64	32'-0"
P-22	2265+33.78	9.72	5.56	0.42		-26.61	32'-2"
P-23	2265+26.29	9.92	5.75	0.46		-26.58	32'-4"
P-24	2265+18.80	10.12	5.95	0.50		-26.55	32'-6"
P-25	2265+11.32	10.26	6.09	0.54		-26.49	32'-7"
P-26	2265+03.83	10.34	6.17	0.58		-26.50	32'-8"
P-27	2264+96.34	10.42	6.25	0.61		-26.41	32'-8"
P-28	2264+88.85	10.50	6.34	0.65		-26.41	32'-9"
P-29	2264+81.36	10.55	6.38	0.69		-26.37	32'-9"
P-30	2264+73.87	10.56	6.39	0.73		-26.27	32'-8"
P-31	2264+66.38	10.57	6.40	0.77		-26.26	32'-8"
P-32	2264+58.89	10.58	6.41	0.81		-26.25	32'-8"
P-33	2264+51.40	10.59	6.42	0.84		-26.16	32'-7"
P-34	2264+43.92	10.60	6.43	0.88		-26.15	32'-7"
P-35	2264+36.43	10.61	6.44	0.92		-26.14	32'-7"
P-36	2264+28.94	10.62	6.46	0.96		-26.04	32'-6"
P-37	2264+21.45	10.63	6.47	1.00		-26.03	32'-6"
P-38	2264+13.96	10.64	6.48	1.03		-26.02	32'-6"
P-39	2264+06.47	10.65	6.49	1.07		-25.93	32'-5"
P-40	2263+98.98	10.66	6.50	1.11		-25.92	32'-5"
P-41	2263+91.49	10.67	6.51	1.15		-25.91	32'-5"
P-42	2263+84.00	10.68	6.52	1.19		-25.82	32'-4"
P-43	2263+76.52	10.70	6.53	1.22		-25.80	32'-4"
P-44	2263+69.03	10.71	6.54	1.26		-25.79	32'-4"
P-45	2263+61.54	10.72	6.55	1.30		-25.70	32'-3"
P-46	2263+54.05	10.73	6.56	1.34		-25.69	32'-3"
P-47	2263+46.56	10.74	6.57	1.38		-25.68	32'-3"
P-48	2263+39.07	10.75	6.58	1.42		-25.59	32'-2"
P-49	2263+31.58	10.76	6.59	1.45		-25.58	32'-2"
P-50	2263+24.09	10.77	6.60	1.49		-25.56	32'-2"
P-51	2263+16.60	10.78	6.61	1.53		-25.47	32'-1"
P-52	2263+09.12	10.79	6.62	1.57		-25.46	32'-1"
P-53	2263+01.63	10.80	6.63	1.61		-25.45	32'-1"
P-54	2262+94.14	10.81	6.64	1.64		-25.36	32'-0"
P-55	2262+86.65	10.82	6.65	1.68		-25.35	32'-0"
P-56	2262+79.16	10.83	6.67	1.72		-25.33	32'-0"
P-57	2262+71.67	10.84	6.68	1.76		-25.32	32'-0"
P-58	2262+64.18	10.85	6.69	1.80		-25.23	31'-11"
P-59	2262+56.69	10.86	6.70	1.83		-25.22	31'-11"
P-60	2262+49.20	10.87	6.71	1.87		-25.21	31'-11"
P-61	2262+41.71	10.88	6.72	1.84		-23.20	29'-11"
P-62	2262+34.22	10.89	6.73	1.74		-23.27	30'-0"
P-63	2262+26.73	10.91	6.74	1.64		-23.43	30'-2"
P-64	2262+19.24	10.92	6.75	1.55		-23.50	30'-3"
P-65	2262+11.75	10.93	6.76	1.45	W18x130	-23.57	30'-4"

PILE LAYOUT

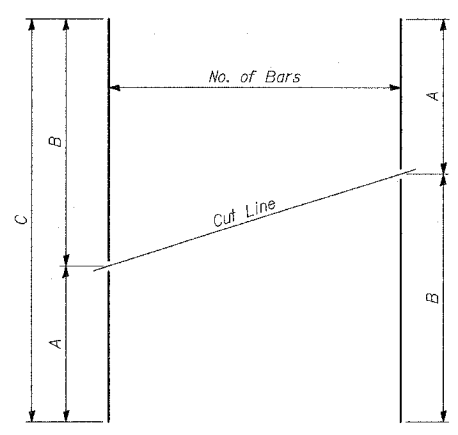
Pile	Station at Working Point	Top of Parapet El.	Top of Pile El.	Bot. of Wall El.	Section	Pile Tip El.	Pile Length
P-66	2262+04.15	10.94	6.77	1.35	W18x130	-23.73	30'-6"
P-67	2261+96.65	10.95	6.78	1.25		-23.80	30'-7"
P-68	2261+89.15	10.96	6.79	1.15		-23.88	30'-8"
P-69	2261+81.65	10.97	6.80	1.05		-24.03	30'-10"
P-70	2261+74.15	10.98	6.81	0.95		-24.10	30'-11"
P-71	2261+66.65	10.99	6.82	0.85		-24.18	31'-0"
P-72	2261+59.15	11.00	6.83	0.75		-24.25	31'-1"
P-73	2261+51.65	11.01	6.84	0.65		-25.41	32'-3"
P-74	2261+44.15	11.02	6.85	0.55		-25.48	32'-4"
P-75	2261+36.65	11.03	6.86	0.46		-25.55	32'-5"
P-76	2261+29.15	11.04	6.88	0.36		-25.71	32'-7"
P-77	2261+21.65	11.05	6.89	0.26		-25.20	32'-1"
P-78	2261+14.15	11.06	6.90	0.15		-24.19	31'-1"
P-79	2261+06.65	11.07	6.91	0.05		-23.18	30'-1"
P-80	2260+99.15	11.08	6.92	0.00	W18x130	-22.17	29'-1"



MARK TABLE

Bar	D	E
d(E)	6"	2'-6"
d1(E)	6"	2'-6"
d4(E)	11"	4'-4"

BARS d(E), d1(E) & d4(E)

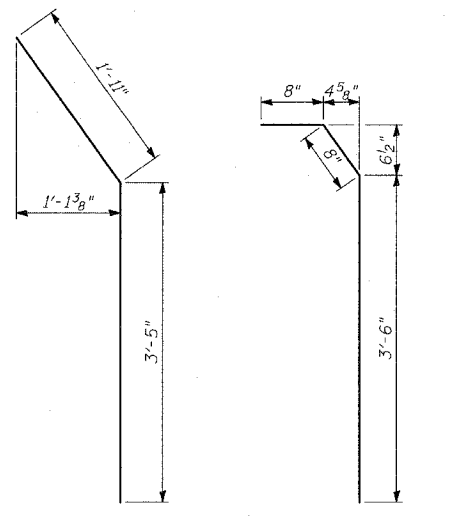


SERIES OF BAR CUTTING DIAGRAM

See table for dimensions. Make all cuts normal to bar axis

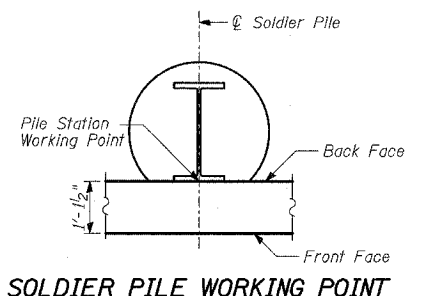
BAR TABLE SCHEDULE

Bar	No. of Sets Req'd	No. of Bars Per Set	A	B	C
v1(E)	1	31	3'-9"	4'-0"	7'-9"
v2(E)	1	32	4'-0"	4'-8"	8'-8"
v3(E)	1	30	4'-8"	5'-4"	10'-0"
v4(E)	1	31	5'-4"	5'-11"	11'-3"
v5(E)	1	31	5'-11"	6'-7"	12'-6"
v6(E)	1	31	5'-10"	6'-4"	12'-2"
v7(E)	1	31	6'-4"	6'-9"	13'-1"
v8(E)	1	31	6'-9"	7'-2"	13'-11"
v9(E)	1	31	7'-2"	7'-7"	14'-9"
v10(E)	1	31	7'-7"	3'-6"	11'-1"



BARS d7(E)

BAR d3(E)



SOLDIER PILE WORKING POINT

LAP SPLICES

Bar	Lap
#4	1'-8"
#5	2'-2"
#6	2'-7"
#8	4'-6"

REVISIONS	
NAME	DATE

Bar	No.	Size	Length	Shape
d(E)	495	#4	3'-0"	L
d1(E)	495	#5	3'-0"	L
d2(E)	495	#4	3'-10"	L
d3(E)	495	#5	4'-10"	L
d4(E)	155	#4	5'-3"	L
d5(E)	134	#6	6'-6"	—
d6(E)	21	#5	4'-3"	—
d7(E)	21	#5	5'-4"	—
e(E)	48	#4	31'-8"	—
e1(E)	30	#5	32'-2"	—
e2(E)	16	#8	34'-6"	—
e3(E)	36	#4	29'-8"	—
e4(E)	28	#5	29'-8"	—
e5(E)	12	#8	29'-8"	—
e6(E)	6	#4	32'-8"	—
e7(E)	2	#5	33'-2"	—
e8(E)	2	#8	35'-6"	—
e9(E)	6	#4	30'-8"	—
e10(E)	2	#5	31'-2"	—
e11(E)	2	#8	33'-6"	—
h(E)	193	#5	32'-2"	—
h1(E)	150	#5	29'-8"	—
h2(E)	15	#5	33'-2"	—
h3(E)	17	#5	31'-2"	—
v(E)	62	#4	3'-8"	—
v1(E)	31	#4	7'-9"	—
v2(E)	32	#4	8'-8"	—
v3(E)	30	#4	10'-0"	—
v4(E)	31	#4	11'-3"	—
v5(E)	31	#4	12'-6"	—
v6(E)	124	#4	6'-8"	—
v7(E)	62	#4	6'-7"	—
v8(E)	124	#4	6'-5"	—
v9(E)	62	#4	6'-3"	—
v10(E)	62	#4	6'-2"	—
v11(E)	62	#4	6'-1"	—
v12(E)	62	#4	5'-11"	—
v13(E)	31	#4	12'-2"	—
v14(E)	31	#4	13'-1"	—
v15(E)	31	#4	13'-11"	—
v16(E)	31	#4	14'-9"	—
v17(E)	31	#4	11'-1"	—
Reinforcement Bars, Epoxy Coated		POUND	32,240	
Concrete Structures		CU YD	232	
Protective Coat		SQ YD	770	
Furnishing Soldier Piles (W Section)		FOOT	2,264	
Furnishing Soldier Piles (HP Section)		FOOT	199	
Drilling and Setting Soldier Piles (in Soil)		CU FT	12,953	

Reinforcement bars designated (E) shall be epoxy coated. SHEET 7 OF 23