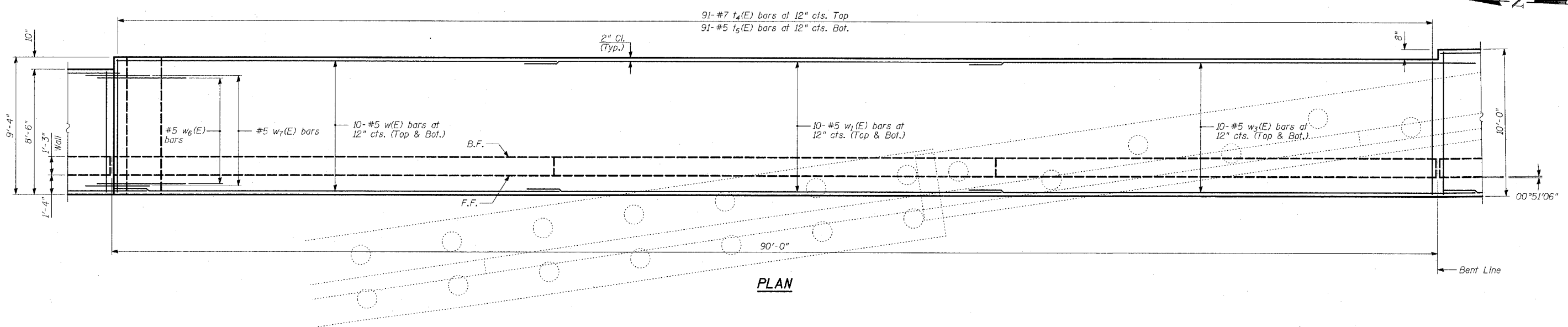


ELEVATION



PLAN

NOTES:

1. Work this Sheet with Sheets 12, 13, 16, and 19 thru 21 of 31.
2. For Lap Splices, see Sheet 13 of 31.
3. B.F. - denotes Back Face.
4. E.F. - denotes Each Face.
5. F.F. - denotes Front Face.

REVISIONS	
NAME	DATE

ILLINOIS DEPARTMENT OF TRANSPORTATION
F.A.I. 94 (DAN RYAN EXPRESSWAY)
RETAINING WALL ALONG STATE ST.
ENTRANCE RAMP AT 79TH ST.
WALL 69 - PLAN AND ELEVATION
STA. 2317+54.39 TO STA. 2316+65.14
 S.N. 016-W975 DESIGNED BY: MAF, SNB
 SCALE: N.T.S. DRAWN BY: MAF, SNB
 DATE: MARCH 18, 2005 CHECKED BY: TD, MI