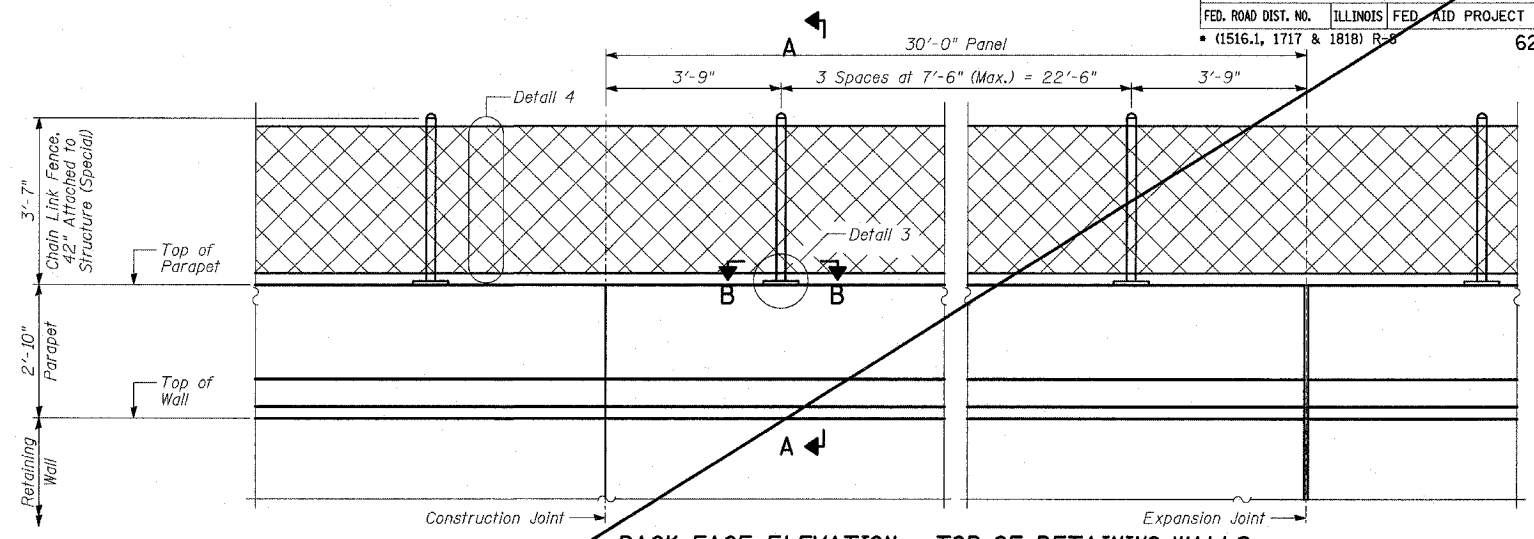
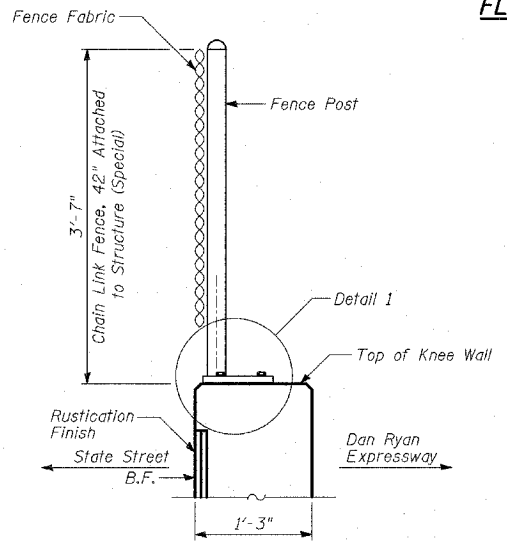


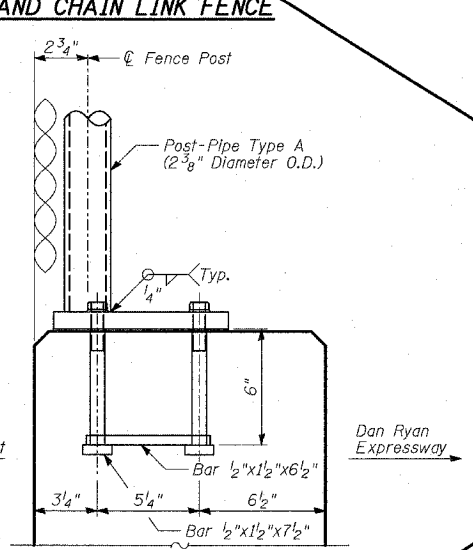
**BACK FACE ELEVATION - KNEE WALL
FLUTED KNEE WALL AND CHAIN LINK FENCE**



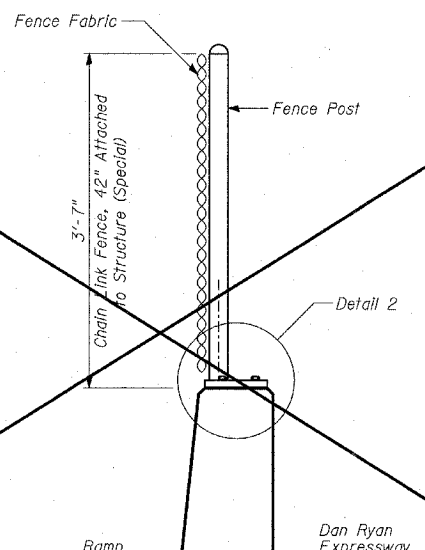
**BACK FACE ELEVATION - TOP OF RETAINING WALLS
TYPE F PARAPET AND CHAIN LINK FENCE**



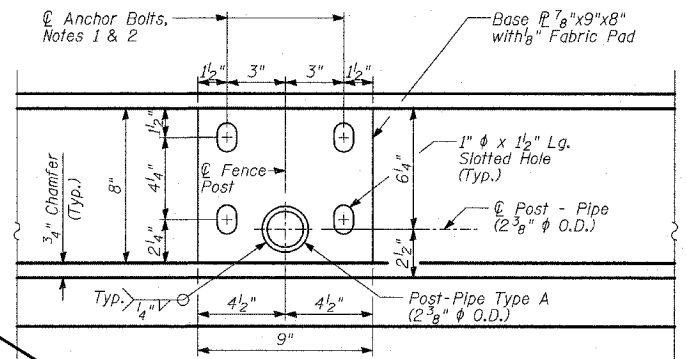
SECTION C-C



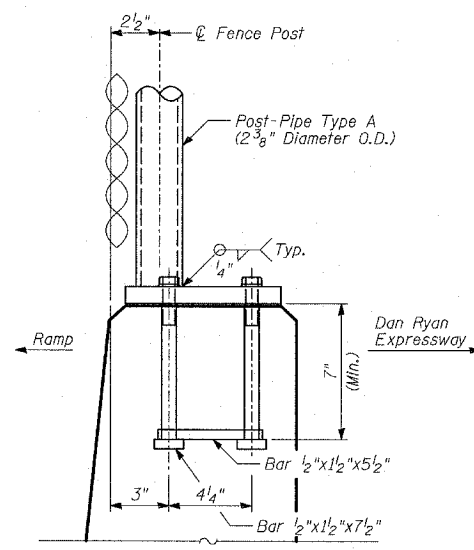
DETAIL 1



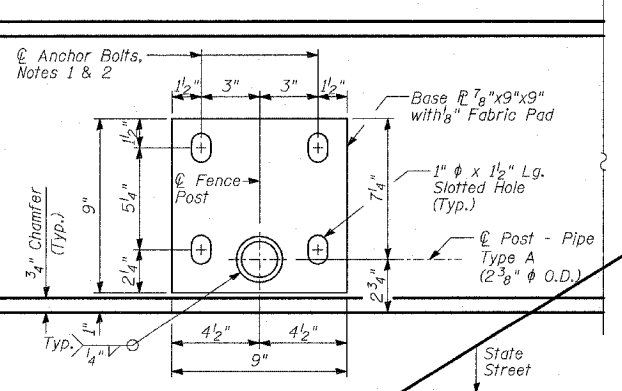
SECTION A-A



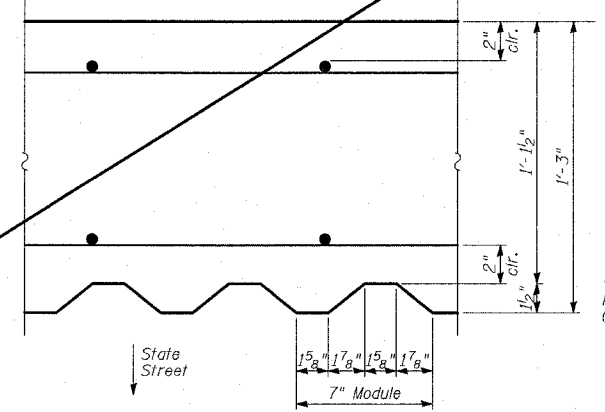
**SECTION B-B
BASE PLATE PLAN**



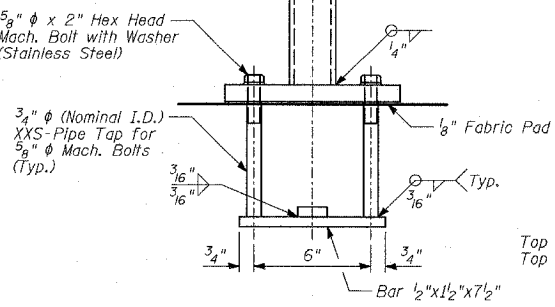
DETAIL 2



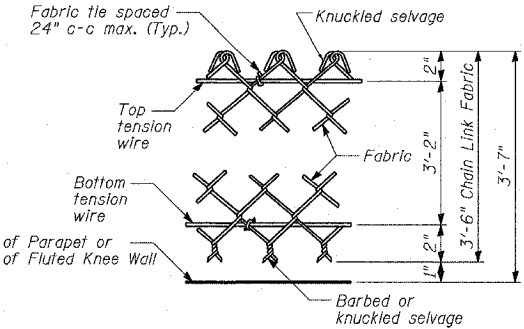
**SECTION D-D
BASE PLATE PLAN**



SECTION E-E



DETAIL 3



DETAIL 4

BILL OF MATERIAL

ITEM	UNIT	TOTAL
Chain Link Fence, 42" Attached to Structure (Special)	FOOT	631

- NOTES:**
- In lieu of the cast-in-place anchor bolt assembly shown, the Contractor has the option of drilling and epoxy grouting 5/8" diameter anchor rods with 1/4" diameter washers. The Contractor shall use the capsule or the adhesive cartridge type anchor rods that have been previously tested and given prior approval by the Department. The Contractor shall install these anchor rods in pre-drilled holes according to the manufacturer's recommendations and procedures. The capsule or adhesive cartridge shall be sealed with pre-measured amounts of adhesive chemical. Anchor rod threading to be peeled after nuts are installed.
 - For additional chain link details, see Standard 664001.

REVISIONS

NAME	DATE
REVISED	04/15/05