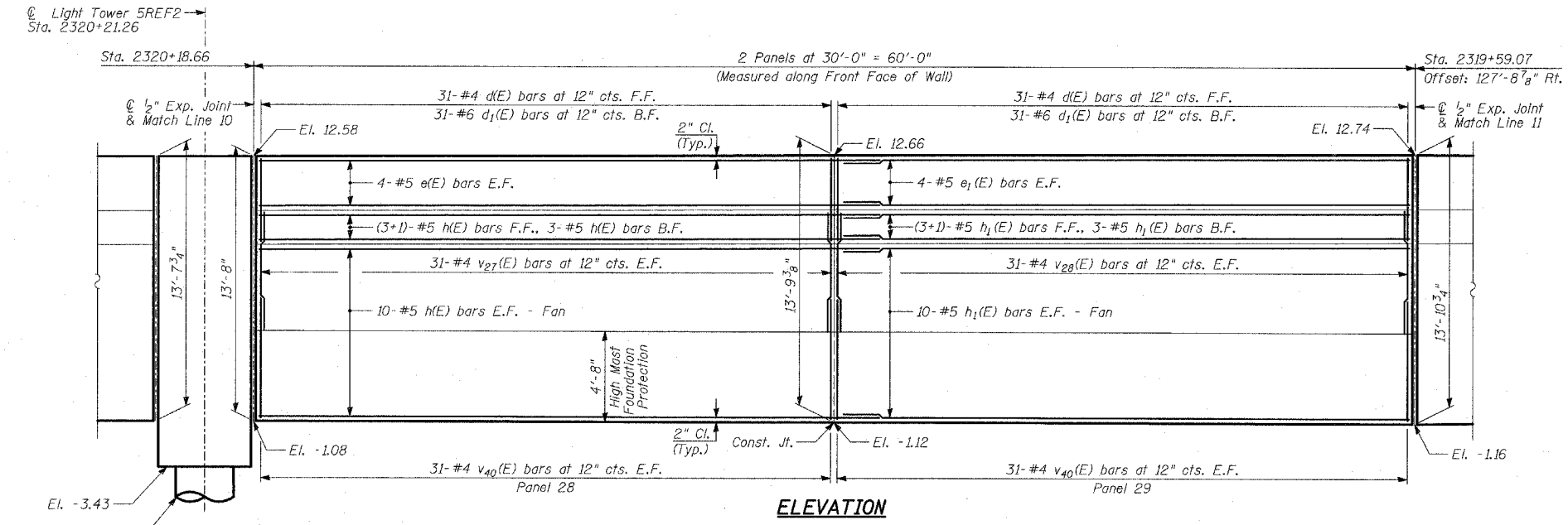
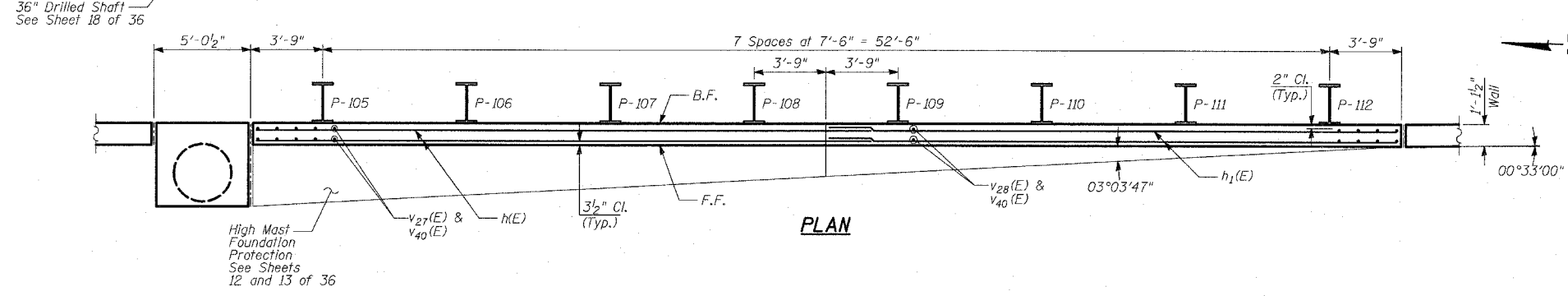


F.A.I. RTE.	SECTION	COUNTY	TOTAL SHEETS	SHEET NO.
94		COOK	860	613
STA. 2200+00.00		TO STA. 2362+00.00		
FED. ROAD DIST. NO.		ILLINOIS FED. AID PROJECT		
(1516.1, 1717 & 1818) R-8		62694		



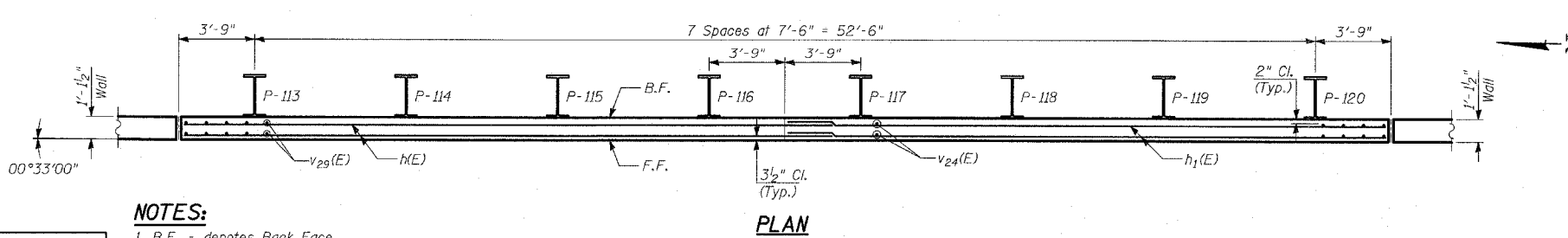
ELEVATION



PLAN



ELEVATION



PLAN

- NOTES:**
1. B.F. - denotes Back Face.
 2. E.F. - denotes Each Face.
 3. F.F. - denotes Front Face.
 4. Work this sheet with Sheets 12 thru 27 of 36.
 5. Pile spacing measured along front face of wall.
 6. For Lap Splices, see Sheet 15 of 36.

TYLIN INTERNATIONAL

REVISIONS	
NAME	DATE

ILLINOIS DEPARTMENT OF TRANSPORTATION
F.A.I. 94 (DAN RYAN EXPRESSWAY)
RETAINING WALL ALONG STATE ST.
77TH ST. TO 78TH ST.
WALL 70 - PLAN AND ELEVATION
STA. 2320+18.66 TO STA. 2318+99.78
 S.N. 016-W976 DESIGNED BY: MI, DJR
 SCALE: N.T.S. DRAWN BY: SNB
 DATE: MARCH 18, 2005 CHECKED BY: TD, MI