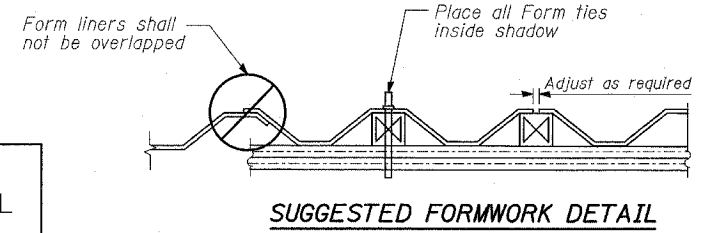
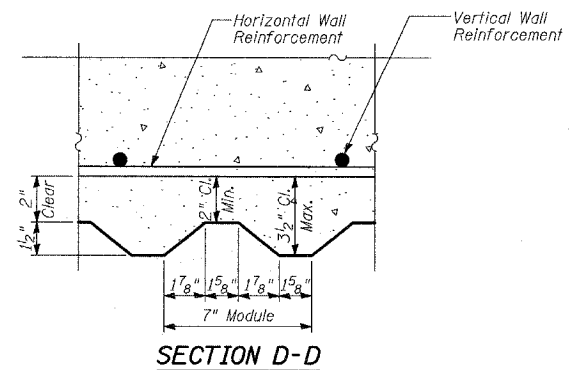
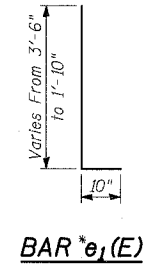
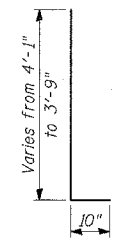
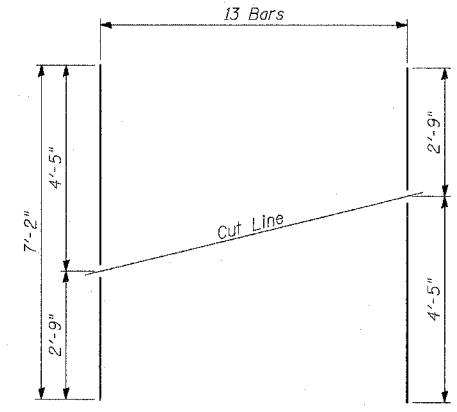
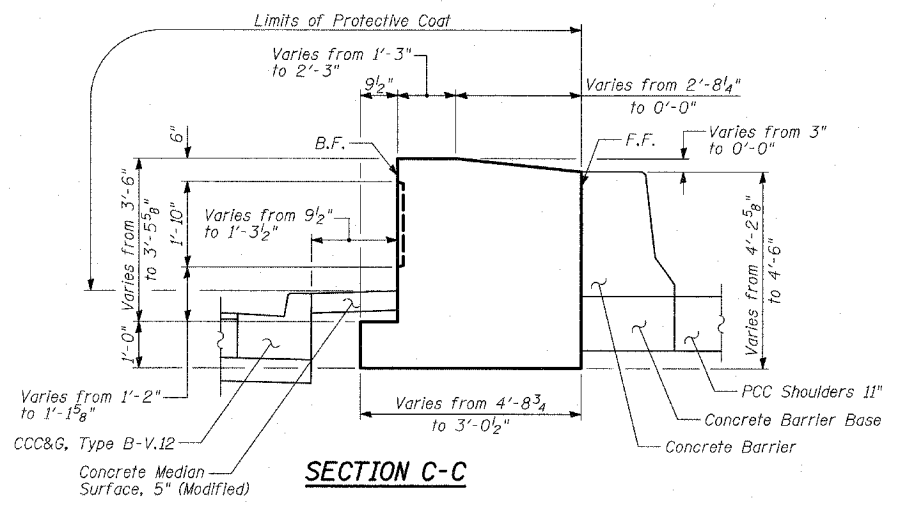
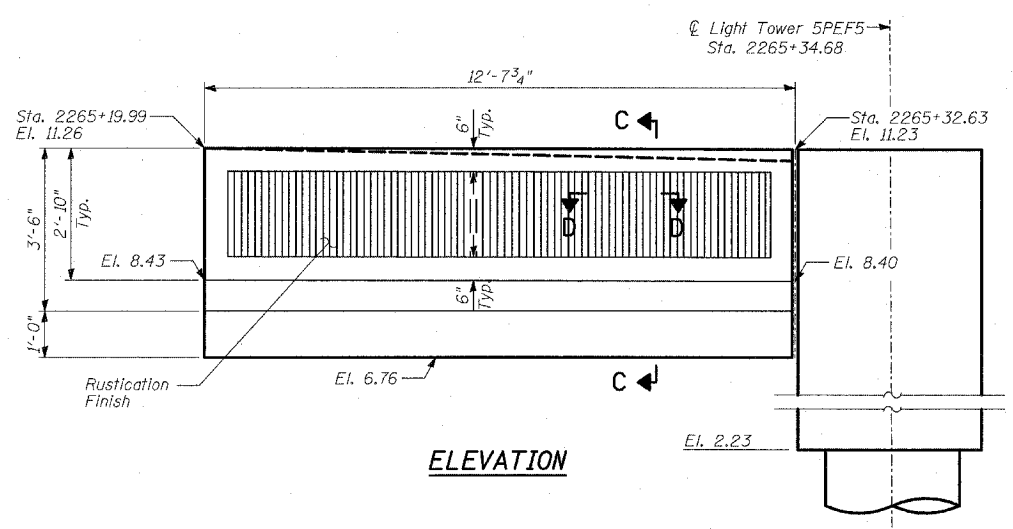
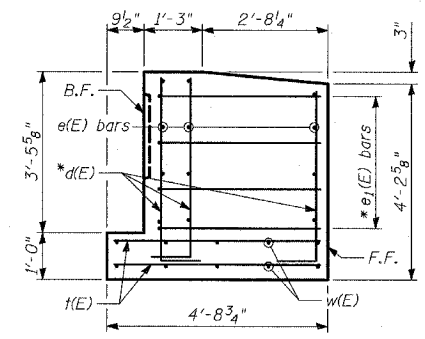
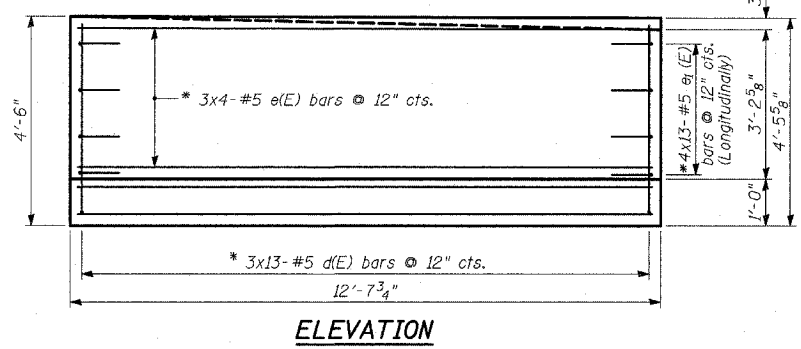
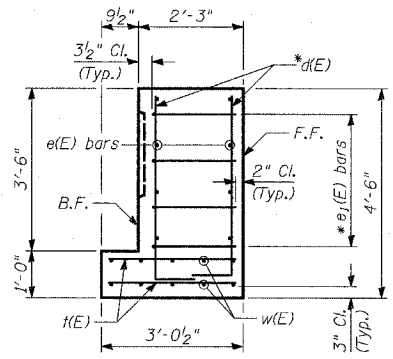
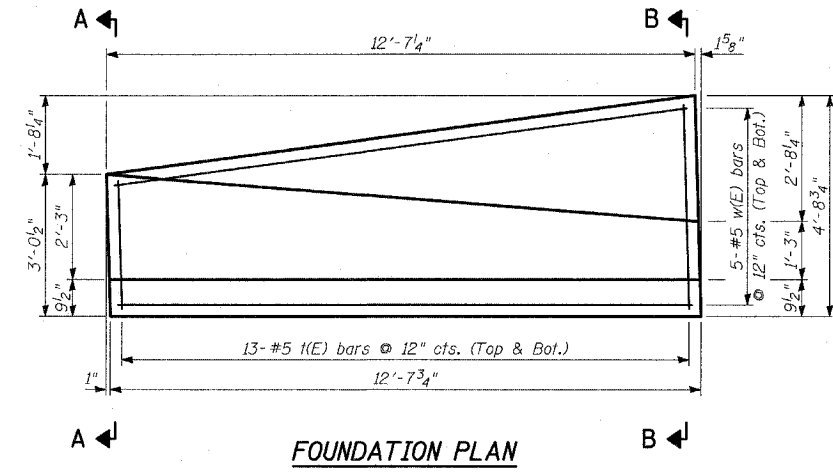
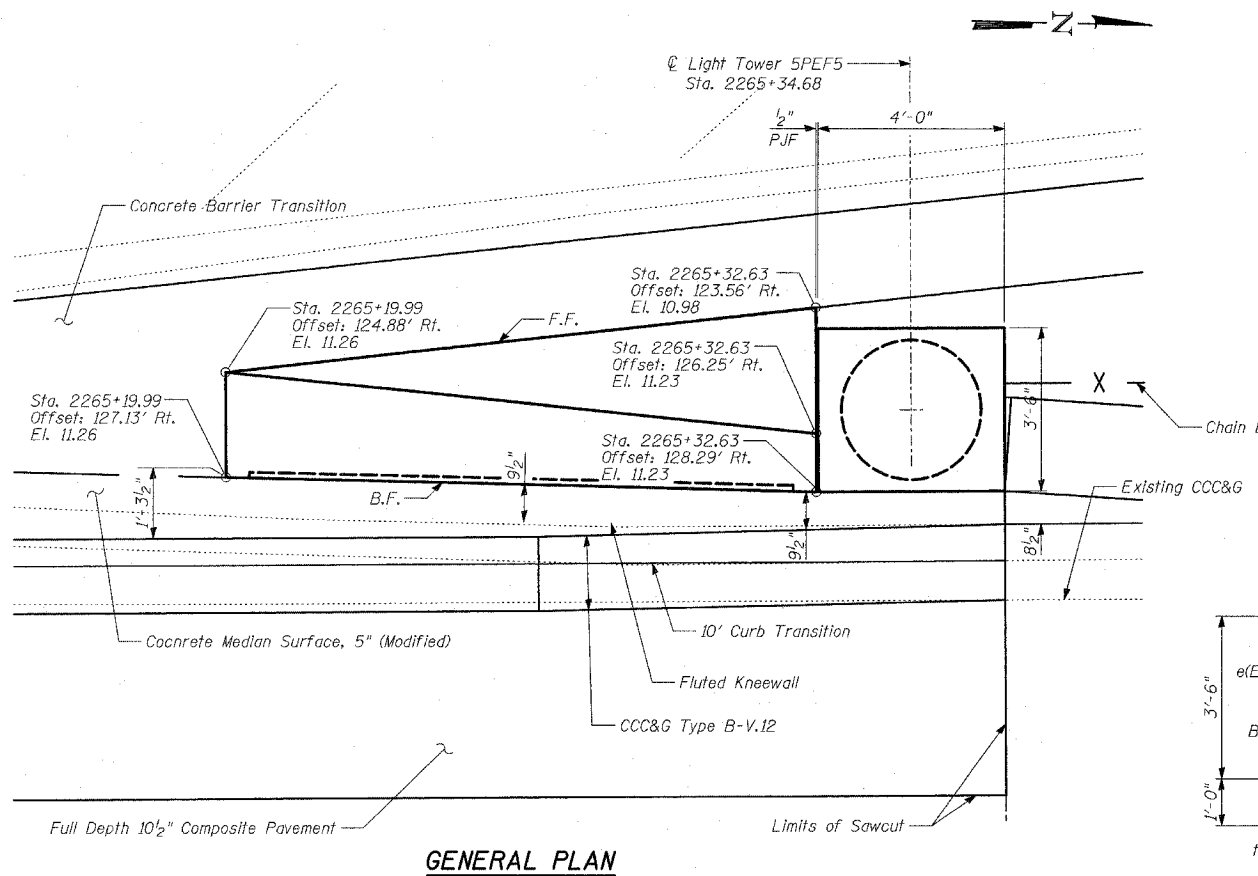


BILL OF MATERIAL

Bar	No.	Size	Length	Shape
d(E)	39	#5	4'-11"	J
e(E)	12	#5	12'-4"	—
e ₁ (E)	52	#5	4'-4"	└
t(E)	13	#5	7'-2"	—
w(E)	10	#5	12'-4"	—
Reinforcement Bars, Epoxy Coated		POUND	820	
Protective Coat		SQ YD	9	
Concrete Structures		CU YD	8	
Structure Excavation		CU YD	9	
Rustication Finish		SQ FT	24	

Reinforcement bars designated (E) shall be epoxy coated.



LOADING

Net Allowable Soil Bearing Pressure =

NOTES:

- Work this Sheet with Roadway Plans and HMLT SPEF5 Foundation Details Sheet 2 of 3.
- Bars indicated thus 3x4-#5 etc. indicates 3 faces of bars with 4 bars per face.

B.F. - denotes Back Face.
E.F. - denotes Each Face.
F.F. - denotes Front Face.

REVISIONS	
NAME	DATE